

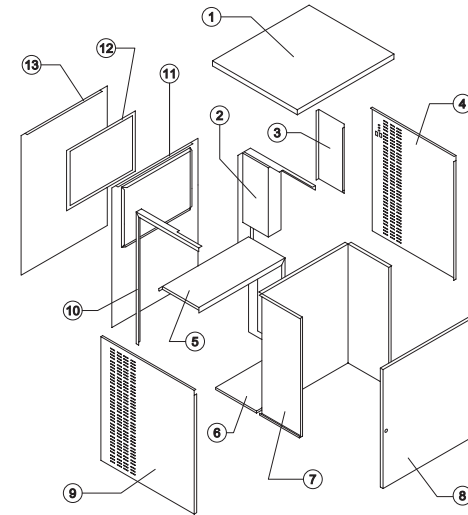


VM 350

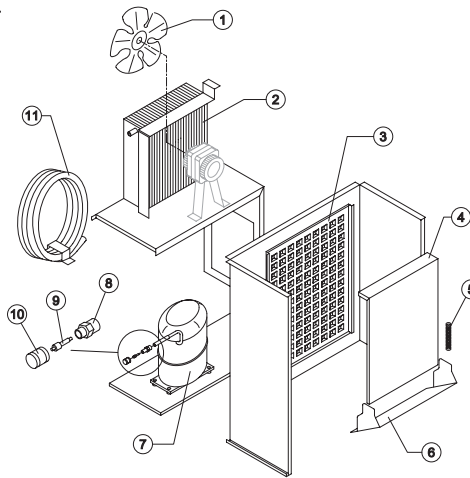
LIST OF THE EXPLODED VIEWS



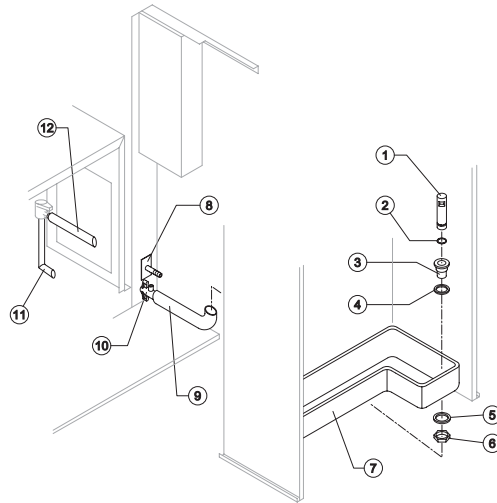
SHELL ASSY



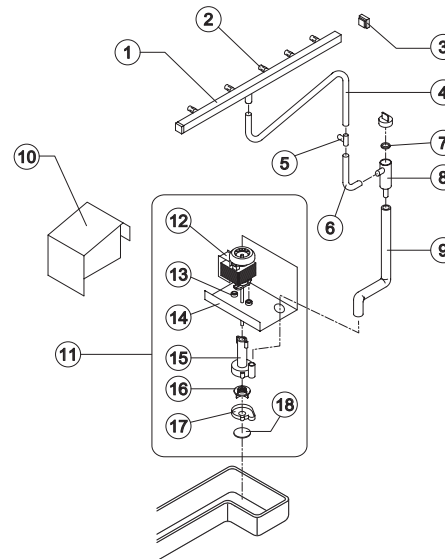
COOLING SYSTEM



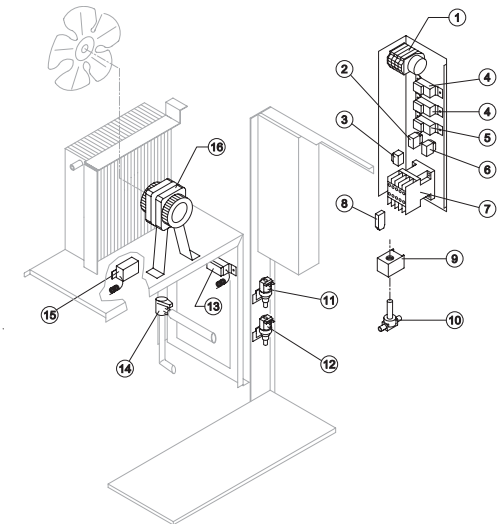
HYDRAULIC CIRCUIT



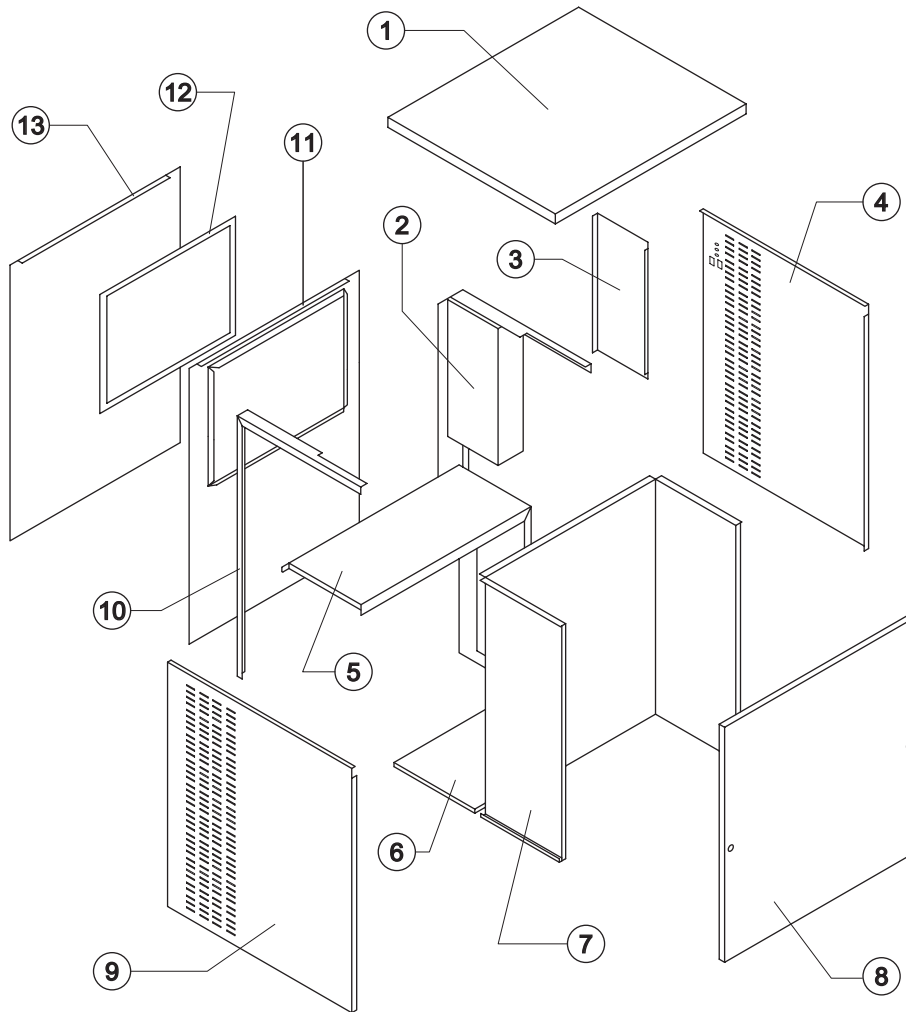
SPRAYER PUMP



ELECTRICPARTS



Rev. 1 - 12/6/2002



Rev. 1 - 12/6/2002

Common Parts

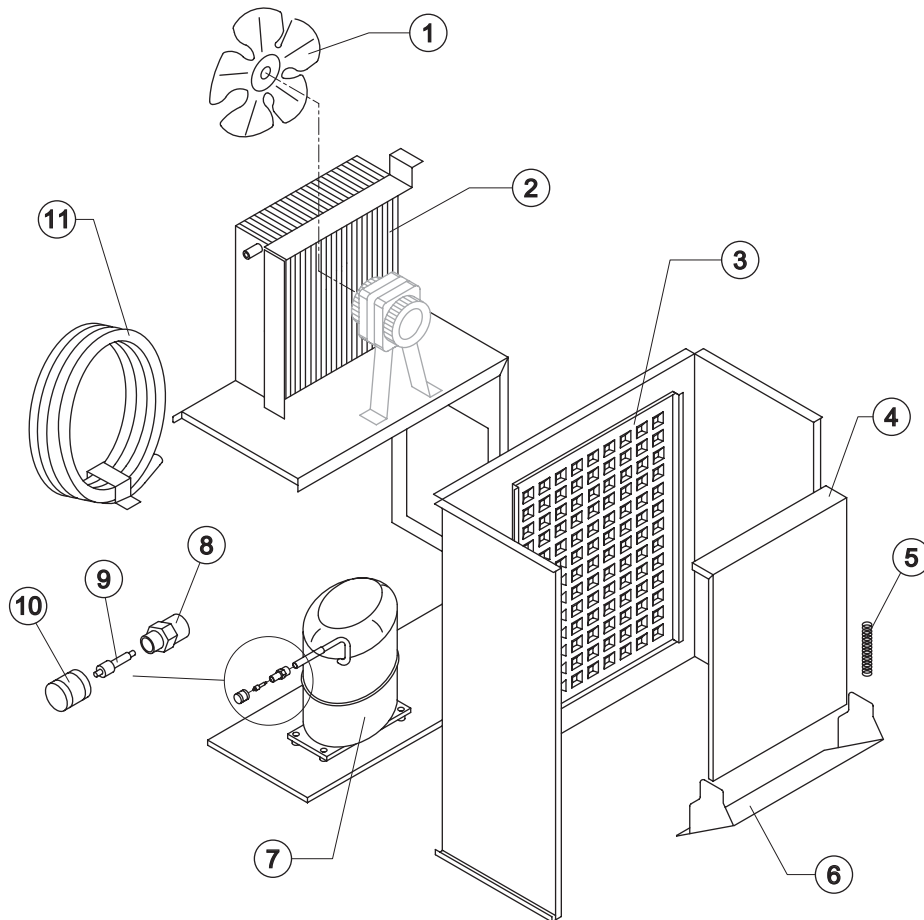
Ref.	Spare Description	Code
1	Top Assembly	C22796
2	Right Bent	22839
3	Electrical Box Cover	21274
4	Right Side	22794
5	Saddle	21273
6	Base Plate	22800
7	Evaporator Housing Panel	22797
8	Front Panel Assembly	C22792
9	Left Side	22795
10	Left Bent	22840

Parts for Air-Cooled Version Only

Ref.	Spare Description	Code
11	Back Panel	21269
12	Filter	18163

Parts for Water-Cooled Version Only

Ref.	Spare Description	Code
13	Back Panel	21275



Common Parts

Ref.	Spare Description	Code
3	Evaporator	D10381
4	Evaporator Cover	22798
5	Spring	20464
6	Horizontally Hinged	22801
7	Compressor	See Table
8	Vaccum-Charge Valve Body	14007
9	Vaccum-Charge Valve Device	14005
10	Vaccum-Charge Valve Plug	14006

Parts for Air-Cooled Version Only

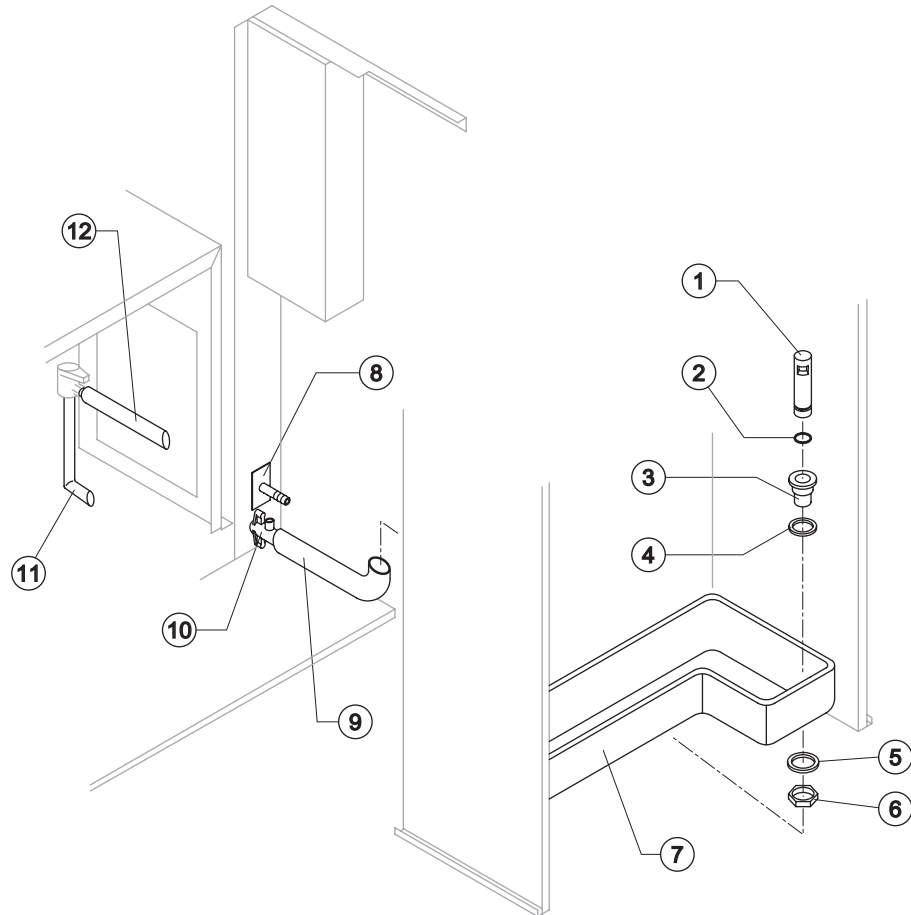
Ref.	Spare Description	Code
1	Suction fan	20407
1	Suction Fan	Only 110/115V 60 Hz
2	Air Condenser	20426

Parts for Water-Cooled Version Only

Ref.	Spare Description	Code
11	Water Condenser	14081

Ref. 7 - Compressor

Tension	Code
220/240V 50 Hz	23438
220/230V 60 Hz	23466
110/115V 60 Hz	23586



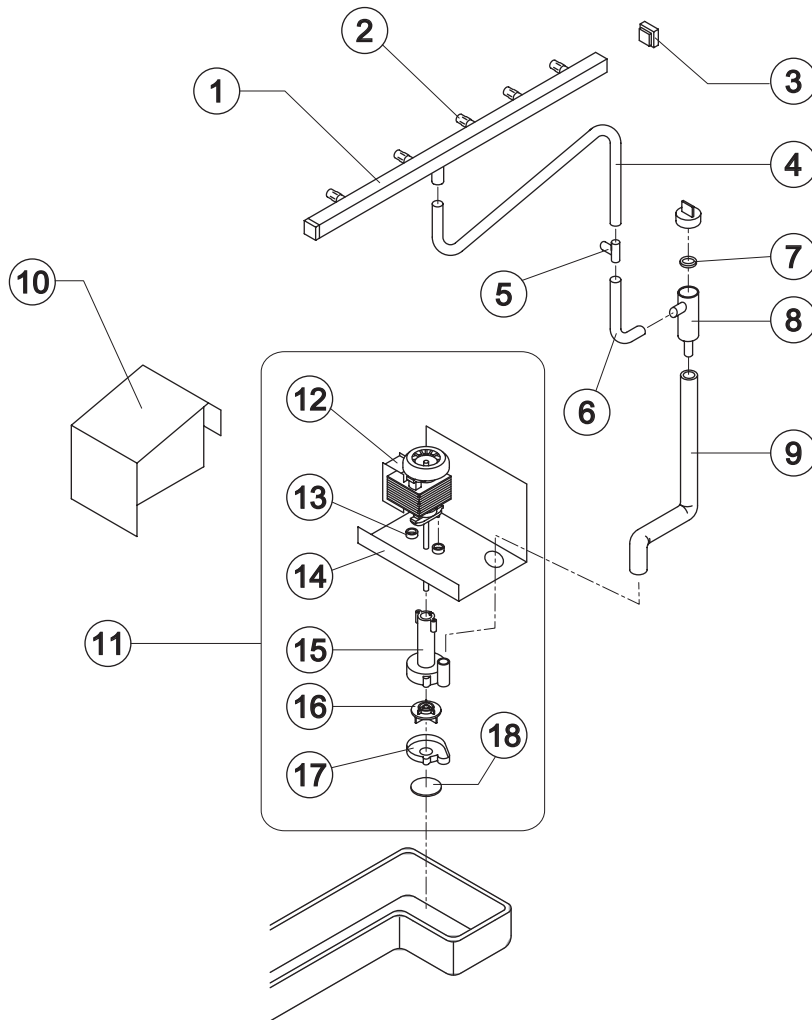
Common Parts

Ref.	Spare Description	Code
1	Overflow Pipe	10133
2	OR Gasket for Overflow Pipe	20233
3	Overflow Pipe Nipple	10241
4	Silicone Gasket	13006
5	Semirigid Polyethylene Gasket	13007
6	Bin Discharge Nut	10096
7	Water Basin	10355
9	Overflow Pipe Nipple	13120
10	Drain Nipple	10393
11	Discharge Valve Connection Pipe - Discharge	13040
12	Discharge Valve Connection Pipe ("T" Shaped)	13102

Parts for Water-Cooled Version Only

Ref.	Spare Description	Code
8	Rubber Holder with Plate	C20462

Rev. 1 - 12/6/2002



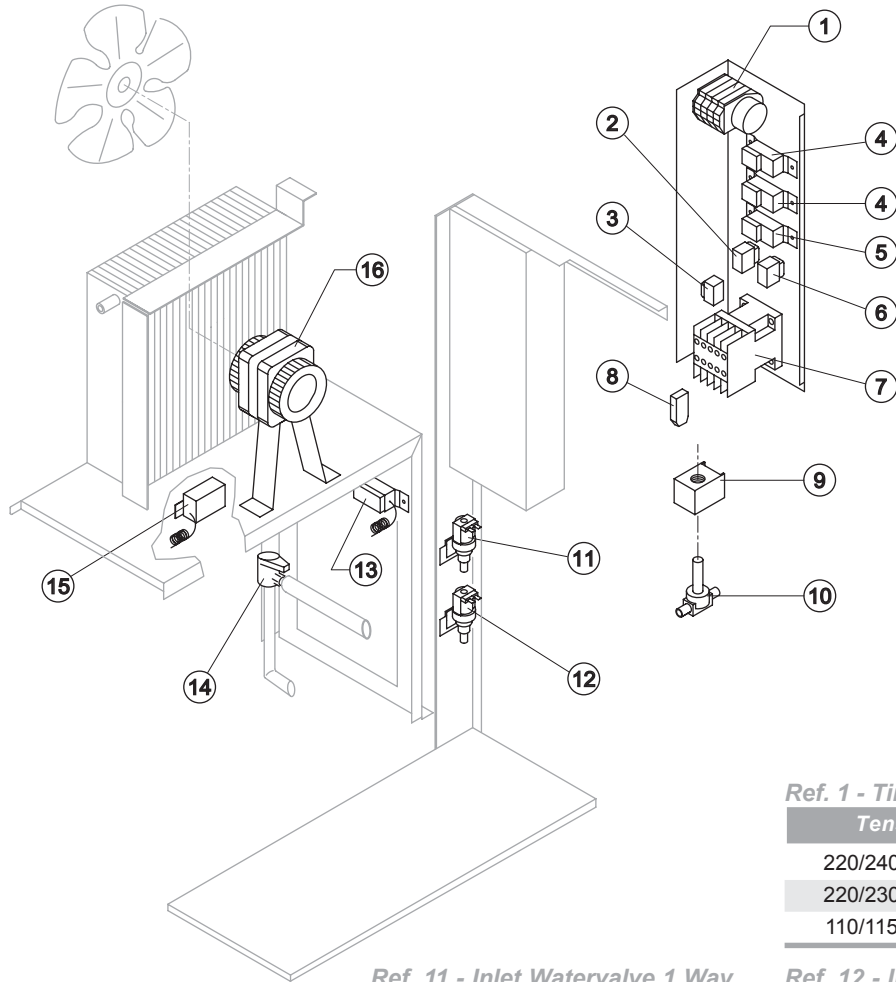
Ref.	Spare Description	Code	
1	Sprayers Bar assembly	Current Version	C20653
1	Sprayers Bar Assembly	Till s/n. 157539	C20585
2	Sprayer		D20002
3	Sprayers Bar Plug		10012
4	Sprinkler Bar Connection Pipe ("T" Shaped)		13134
5	Plastic "T" ø 20		10082
6	Sprayers Feeding Pipe		13005
7	Pump Filter Gasket		13080
8	Pump Filter		10139
9	Pump-Filter Connection Pipe		13111
10	Protection Pump Panel		22804
11	Pump Assembly	See Table	-
12	Pump Motor	See Table	-
13	Thickness Pump Motor		20510
14	Pump Motor Support		22799
15	Pump Body		10065
16	Pump Impeller		10138
17	Diffuser		10067
18	Pump Filter		20518

Ref. 11 - Pump Assembly

Tension	Code
220/240V 50 Hz	C23607
220/230V 60 Hz	C23616
110/115V 60 Hz	C23617

Ref. 12 - Pump Motor

Tension	Code
220/240V 50 Hz	23073
220/230V 60 Hz	23187
110/115V 60 Hz	23188



Common Parts

Ref.	Spare Description	Code
1	Timer	See Table
2	Light Switch "Economy-Full"	23611
3	"Washing" Switch	23619
4	Bin Thermostat	23005
5	Evaporator Thermostat	23597
6	Green Light Switch	23327
7	Contactor	See Table
9	Hot Gas Coil	See Table
10	Hot Gas Valve Body	20409
12	Inlet Watervalue 1 Way	See Table
13	Condenser Pressure Switch	23175
14	Outlet Water Valve	See Table
15	Safety Pressure Switch	23342

Parts for Air-Cooled Version Only

Ref.	Spare Description	Code
8	Anti Radio Interference Filter	Only 220V 50 Hz 23459
16	Fan Motor	See Table -

Parts for Water-Cooled Version Only

Ref.	Spare Description	Code
8	Anti Radio Interference Filter	Only 220V 50 Hz 23457
11	Inlet Watervalue 1 Way	See Table -

Ref. 1 - Timer

Tension	Code
220/240V 50 Hz	23635
220/230V 60 Hz	23632
110/115V 60 Hz	23636

Ref. 7 - Contactor

Tension	Code
220/240V 50 Hz	23594
220/230V 60 Hz	23594
110/115V 60 Hz	23625

Ref. 9 - Hot Gas Coil

Tension	Code
220/240V 50 Hz	23091
220/230V 60 Hz	23091
110/115V 60 Hz	23256

Ref. 11 - Inlet Watervalue 1 Way

Tension	Code
220/240V 50 Hz	23108
220/230V 60 Hz	23108
110/115V 60 Hz	23281

Ref. 12 - Inlet Watervalue 1 Way

Tension	Code
220/240V 50 Hz	C23644
220/230V 60 Hz	C23644
110/115V 60 Hz	C23645

Ref. 14 - Outlet Water Valve

Tension	Code
220/240V 50 Hz	23537
220/230V 60 Hz	23537
110/115V 60 Hz	23637

Ref. 16 - Fan Motor

Tension	Code
220/240V 50 Hz	23121
220/230V 60 Hz	23121
110/115V 60 Hz	23621