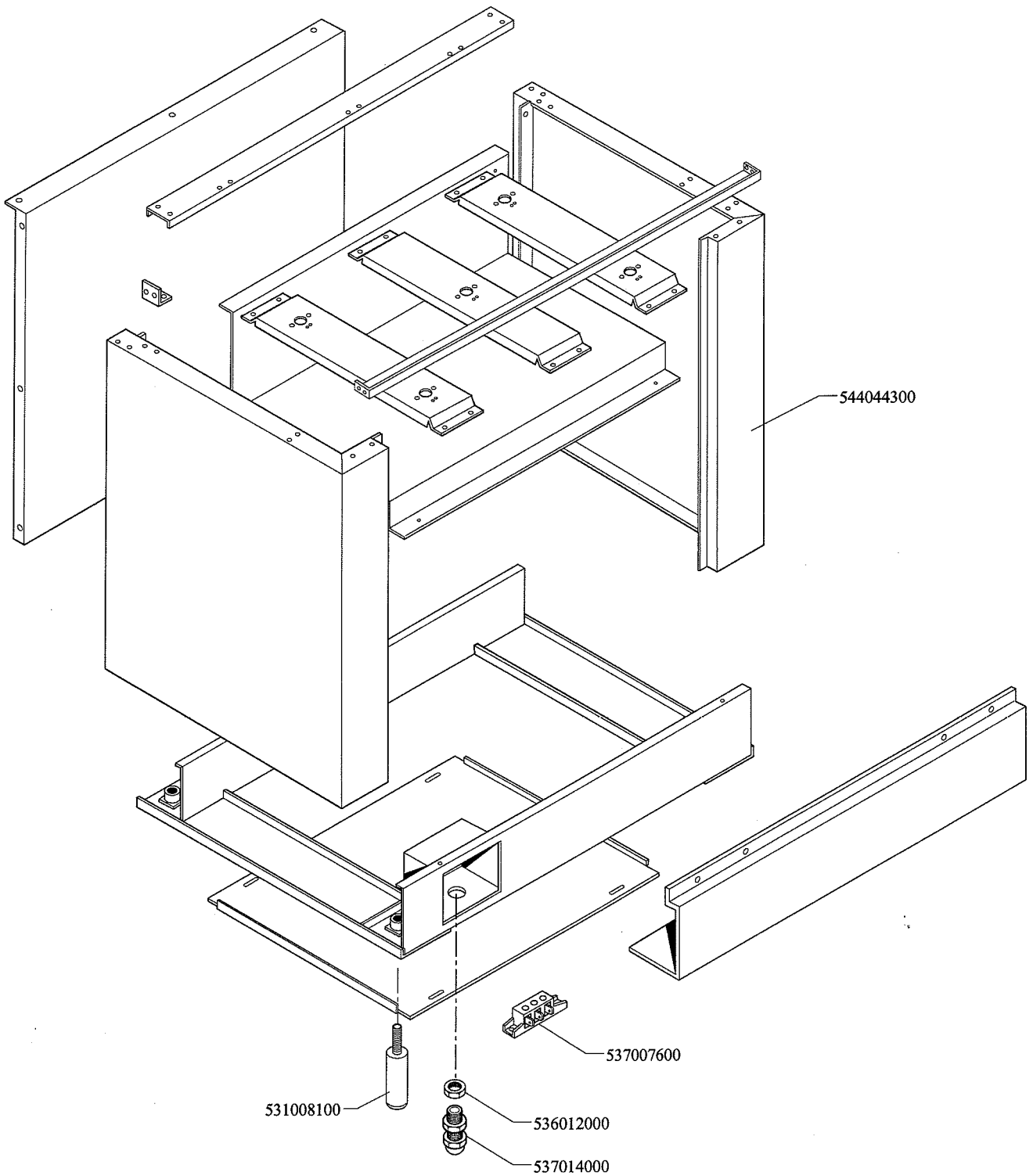


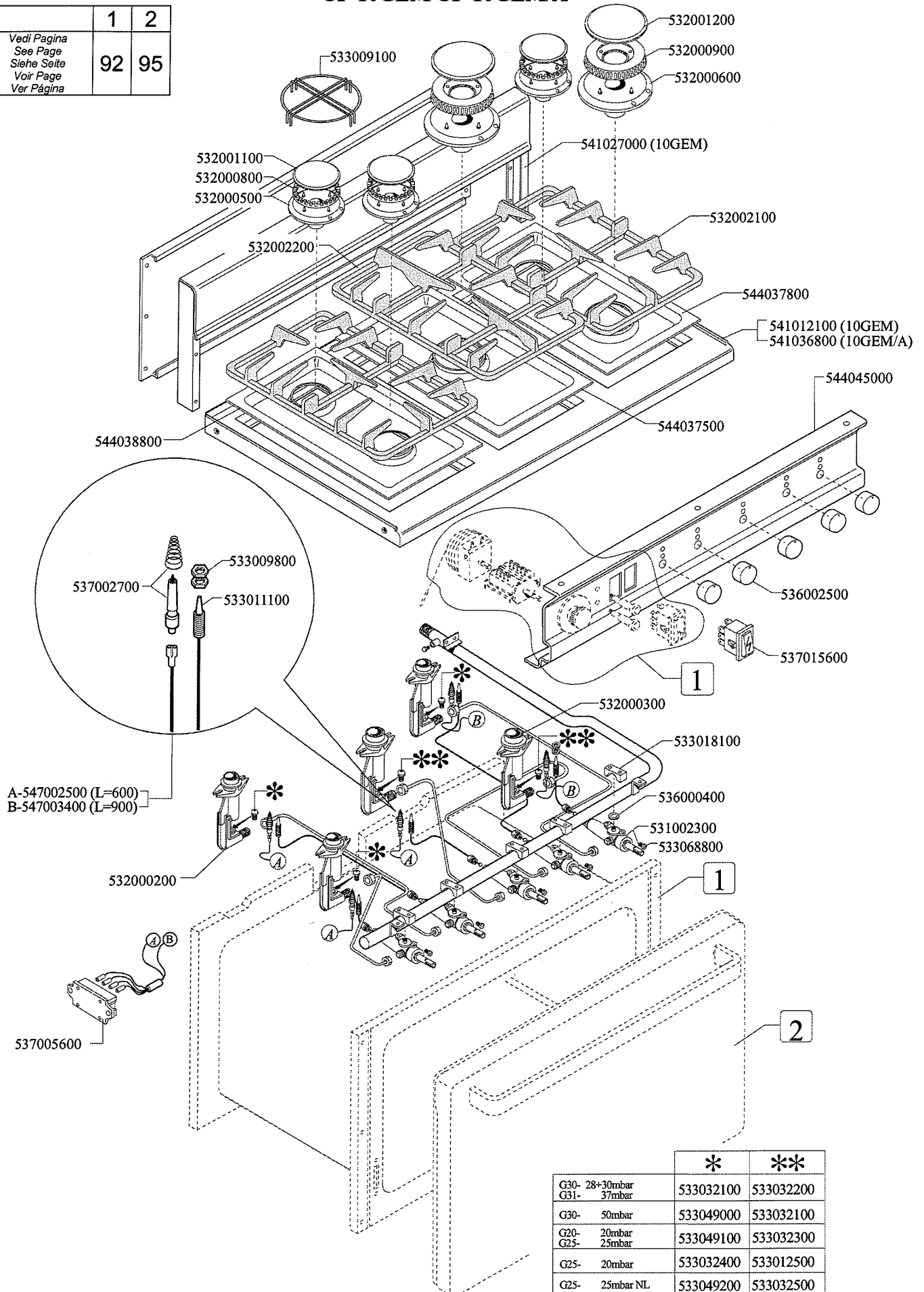
CF-10GEM CF-10GEM/A



# SNACK 60 CUCINE / SNACK 60 RANGES / SNACK 60 HERDE / SNACK 60 CUISINIÈRES

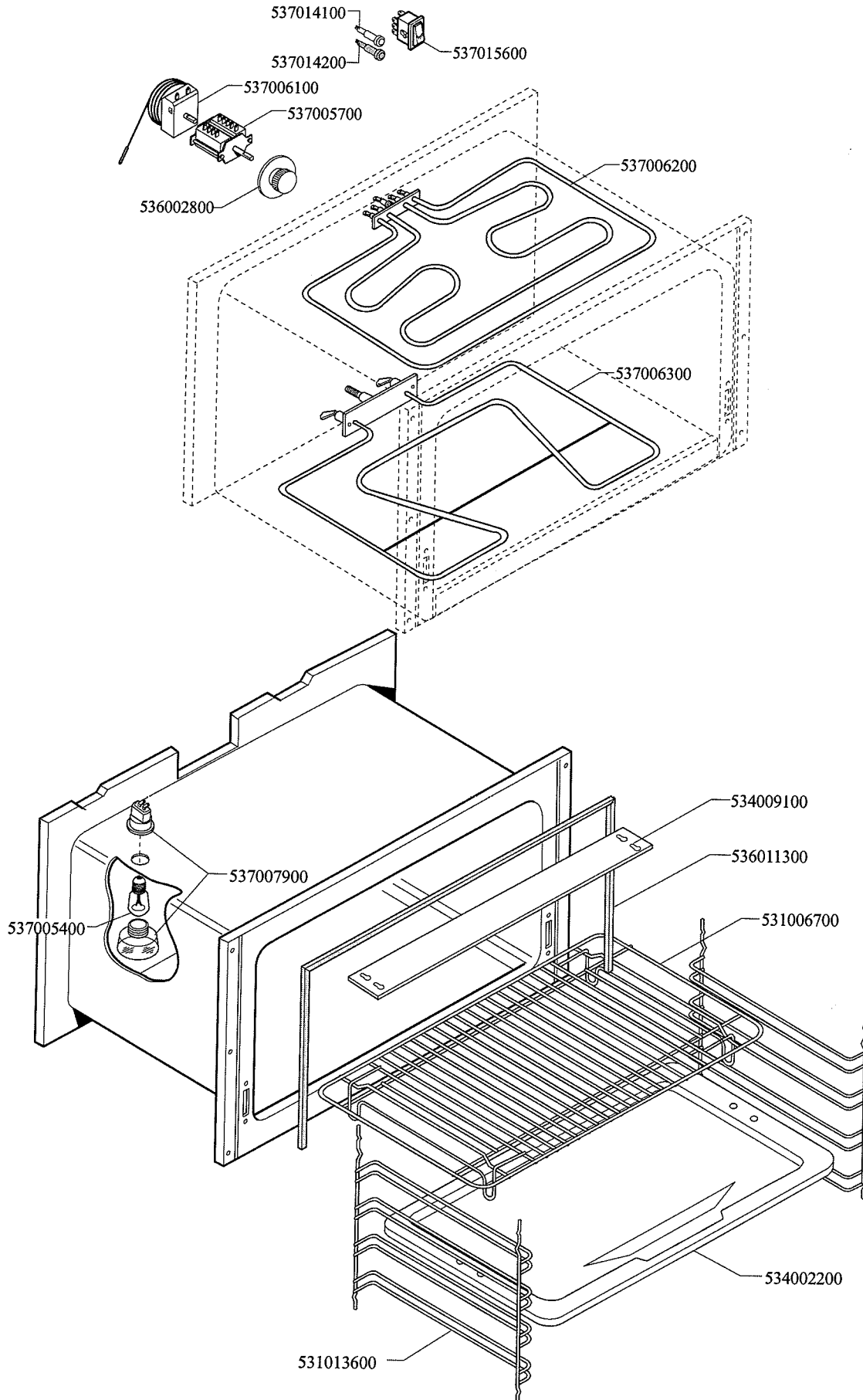
## CF-10GEM CF-10GEM/A

	1	2
Vedi Pagina See Page Siehe Seite Voir Page Ver Página	92	95



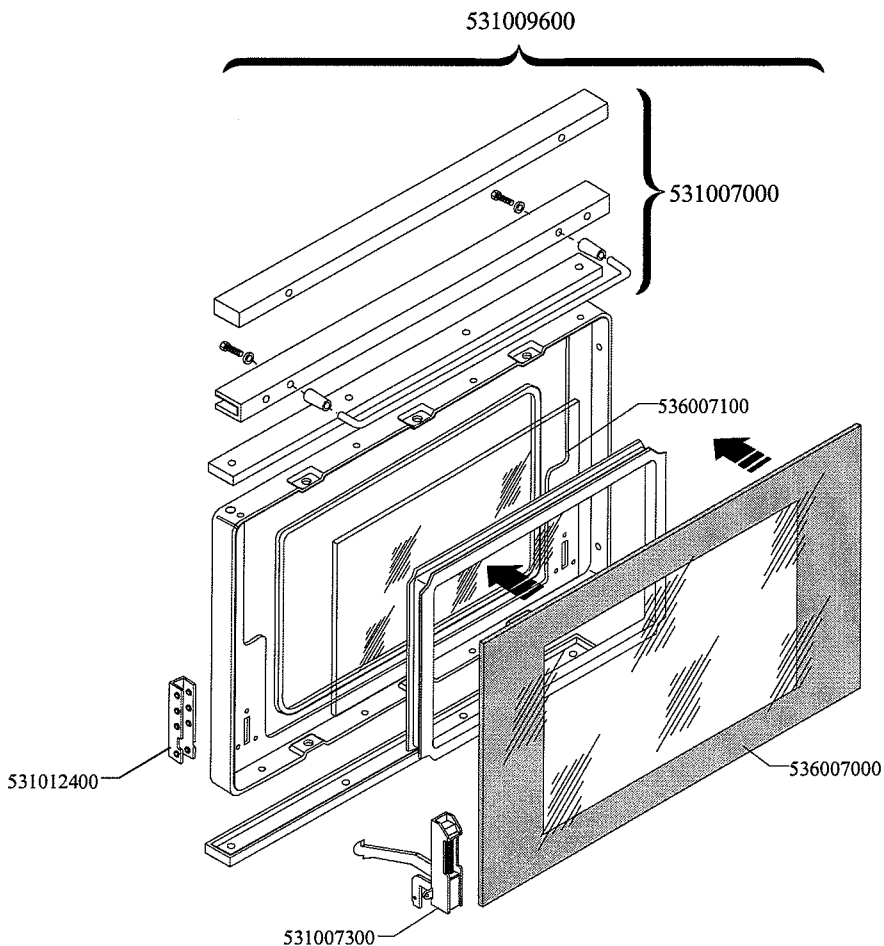
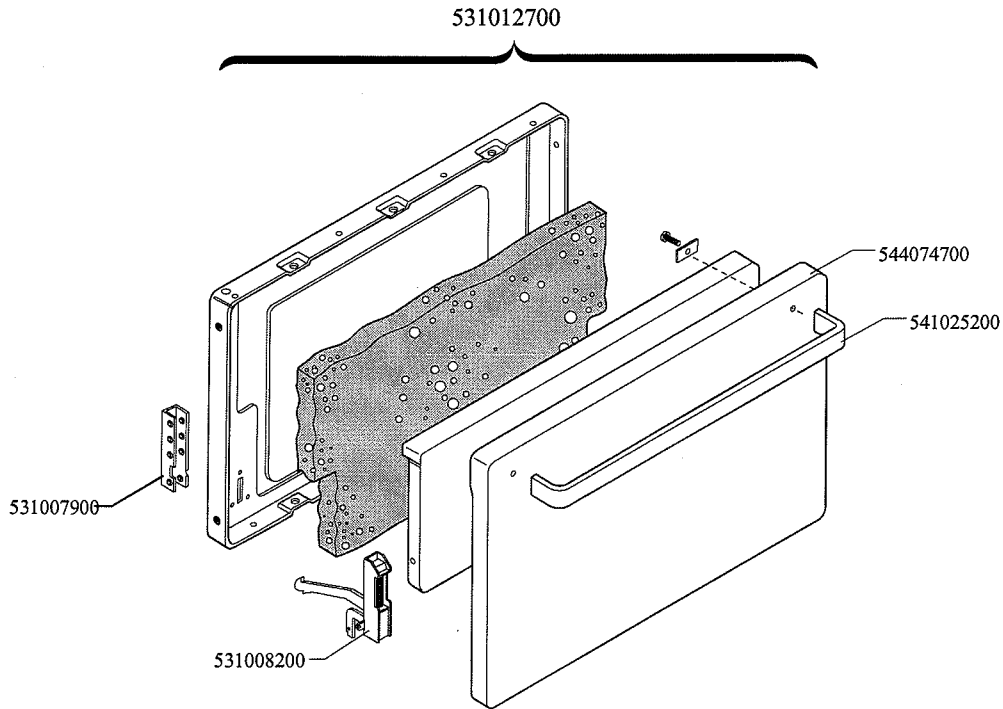
**SNACK 60 CUCINE / SNACK 60 RANGES / SNACK 60 HERDE / SNACK 60 CUISINIÈRES**

**FORNO STATICO ELETTRICO CF...-8... CF...-10... / TRADITIONAL ELECTRIC OVEN CF...-8... CF...-10... / STATISCHER ELEKTRO-BACKOFEN CF...-8... CF...-10... / FOUR ELECTRIQUE STATIQUE CF...-8... CF...-10...**



**SNACK 60 CUCINE / SNACK 60 RANGES / SNACK 60 HERDE / SNACK 60 CUISINIÈRES**

**PORTE INOX/VETRO FORNO CF...-8... CF...-10... / STAINLESS-STEEL/GLASS DOORS  
 OVEN CF...-8... CF...-10... / EDELSTAHL/GLASTÜREN OFEN CF...-8... CF...-10... /  
 PORTES EN ACIER INOXYDABLE/VITRÈES POUR FOUR CF...-8... CF...-10**



Page	Pos	Code	Description
001		544044300	SIDE 1000 RANGE
001		537007600	TERMINAL BLOCK SINGLEPHASE 40A
001		531008100	ADJUSTABLE LEG H9 CHROME
001		536012000	HEXAGONAL LOCK NUT PG-21
001		537014000	CABLE SECURING CLAMP PG-21
002		533032100	NOZZLE §82 CH9*10 CE G-R
002		533049000	NOZZLE §72 CH9*10 F-R
002		533049100	NOZZLE §125 CH9*10 H-R
002		533032400	NOZZLE §135 CH9*10 L-R
002		533049200	NOZZLE §130 CH9*10 AARD.L-R
002		533032200	NOZZLE §96 CH9*10 CE G-UR
002		533032300	NOZZLE §142 G20
002		533012500	NOZZLE §160 CH9*10 L-UR
002		533032500	NOZZLE §150 CH9*10 AARD.L-UR
002		532001200	ULTRA-QUICK BURNER COVER IN CAST IR
002		532000900	ULTRA-QUICK BURNER RING
002		532000600	ULTRA-QUICK BURNER SUPPORT 2HOLES
002		533009100	REDUCTION S.60
002		532001100	QUICK BURNER COVER IN CAST IRON
002		532000800	QUICK BURNER RING
002		532000500	QUICK BURNER SUPPORT 2HOLES
002		532002200	1 FLAME GRILL
002		544038800	2 BURNER DRIP PAN (QUICK+QUICK)
002		541027000	NEUTRAL SPACER 1000
002		532002100	2 BURNERS GRID
002		544037800	2 BURNER DRIP PAN (QUICK+VERY QUICK)
002		541012100	UPPER PLATE CF-10G
002		544045000	CONTROL PANEL CF-10GE
002		544037500	1 BURNER DRIP PAN (VERY QUICK)
002		536002500	COCK KNOB
002		537015600	BIPOLAR SWITCH
002		532000300	ULTRA-QUICK BURNER VENTURI
002		533018100	BRIDLE D.21
002		536000400	GASKET FOR COCK
002		531002300	TAP WITH VALVE BY PASS 485/042 CE
002		533068800	BY PASS COCK §42 PC/CF-60
002		537005600	6 FLAME IGNITION CONTROL BOX V230
002		532000200	QUICK BURNER VENTURI
002		A-547002500	HIGH-VOLT.WIRE 2,8X0,5 F2,8X0,8L600
002		B-547003400	HIGH-VOLTAGE CABLE L=900
002		537002700	PLUG WITH SPRING H57
002		533009800	BRASS NUT M8*1
002		533011100	THERMOCOUPLE 600 M8*1
003		537014100	WHITE WARNING LIGHT 250V
003		537014200	GREEN WARNING LIGHT 250V
003		537006100	OVEN THERMOSTAT CF-62/8/10
003		537005700	OVEN COMMUTATOR CF-8/10 EL.
003		537015600	BIPOLAR SWITCH
003		536002800	ELECTRIC OVEN KNOB CF-8/10
003		537006200	UPPER OVEN HEATING EL.1000+2000W
003		537006300	LOWER OVEN HEATING EL.W1750 230CF8/

Page	Pos	Code	Description
003		534009100	GRILL PROTECTION CF-8/10
003		536011300	OVEN GASKET CF-8/10
003		531006700	OVEN GRID FOR CF-8/10
003		534002200	OVEN DRIPPING-PAN CF-8/10
003		531013600	SIDE GRID FOR MAXI/VENTILATED OVEN
003		537007900	OVEN BULB-SOCKET
003		537005400	OVEN BULB 15W 300°C
004		531012700	STAINLESS STEEL OVEN DOOR CF-8/10
004		531007900	STAINLESS STEEL DOOR WHEEL HOLDER
004		531008200	STAINLESS STEEL DOOR HINGE CF-8/10
004		544074700	STAINLESS STEEL OVEN DOOR PANEL
004		541025200	STAINLESS STEEL OVEN DOOR HANDLE
004		531009600	COMPLETE GLASS OVEN DOOR
004		531007000	OVEN GLASS DOOR HANDLE CF-8/10
004		536007100	INTERNAL GLASS OVEN DOOR CF-8/10
004		536007000	EXTERNAL GLASS OVEN DOOR CF8/10
004		531012400	GLASS DOOR WHEEL HOLDER CF-8/10
004		531007300	GLASS DOOR HINGE CF-8/10