



**Pizzeria
Pizzaöfen**


Artikel-Nr. 531010 (C4), 531011 (C8 B), 531012 (C6 S), 531013 (C12 SB),
531014 (C6 L), 531015 (C12 LB), 531016 (C9), 531017 (C18 B)

Explosionszeichnung / Ersatzteile

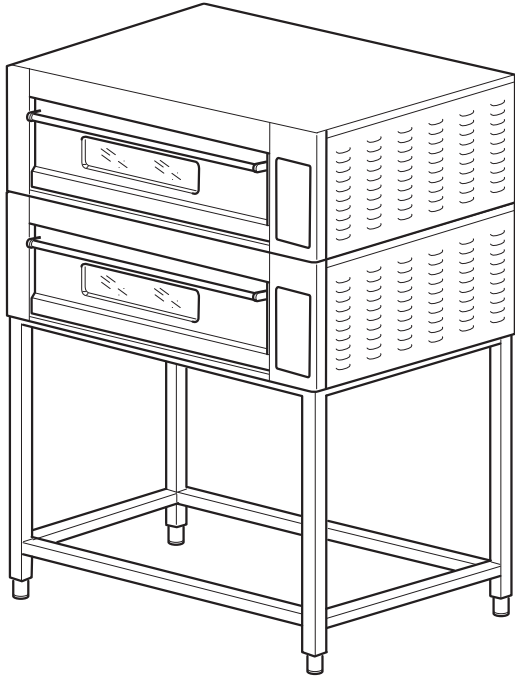
RICAMBI

SPARE PARTS - PIECES DETACHEES

ERSATZTEILE - REPUESTOS



MODALITA' DI ORDINAZIONE RICAMBI
SPARE PARTS ORDERS - COMMANDES DE PIÈCES DÉTACHÉES
BESTELLUNG VON ERSATZTEILEN - PEDIDOS PIEZAS DE REPUESTO



kW	Volt
Type	
Nr	

Modello
Model
Modèle
Modell
Modelo

n° di matricola
Serial No.
N° de matricule
Kennnummer
N° matricula

n° di posizione
Part No.
N° de position
Position Nr.
N° referencia

Codice
Code
Code
Code
Código

Descrizione
Description
Désignation
Beschreibung
Descripción

n° Figura
Figure No.
N° de figure
Abb. Nr.
N° Figura

FIG.1 Struttura forno (DM 435/635S/635L/935) (DM 430/630S/630L/930)
 Oven's no. - Structure du four - Ofenstruktur - Estructura horno

Nr.	Code	Q.tà	ITA	GB	F	D	E	NOTE
1	ESP1115	1	Coperchio	Cover	Couvercle	Deckel	Tap	630L, 630
1	ESP2015	1	Coperchio	Cover	Couvercle	Deckel	Tap	435, 635S
1	ESP2115	1	Coperchio	Cover	Couvercle	Deckel	Tap	430, 630S
1	ESP1715	1	Coperchio	Cover	Couvercle	Deckel	Tap	635L, 935
1	ESP1815	1	Coperchio	Cover	Couvercle	Deckel	Tap	935
1A	ESP1915	1	Coperchio	Cover	Couvercle	Deckel	Tap	635
1A	ESP2115	1	Coperchio	Cover	Couvercle	Deckel	Tap	935
2	ESP1911	2	Fronto	Panel	Taladro	Panel	Panel	435-635L, 430
3	E3F1011	1	Schermata	Shield	Blende	Blende	Blende	630S/635L/935
3	ESP102	1	Schermata	Shield	Blende	Blende	Blende	630L, 930
4	ESP1715	1	Cappia	Handle	Manette	Manette	Manette	635L, 935
4	ESP1715	1	Cappia	Handle	Manette	Manette	Manette	630L, 630S
4	ESP1715	1	Cappia	Handle	Manette	Manette	Manette	435-635S
5	ESP1515	1	Strada	Guide	Guide	Guide	Guide	435-635S
5	ESP1515	1	Strada	Guide	Guide	Guide	Guide	630L, 930
5	ESP1715	1	Strada	Guide	Guide	Guide	Guide	635L, 935
6	ESP1400	1	Fronto	Panel	Blende	Blende	Blende	630L, 930
6	ESP1400	1	Fronto	Panel	Blende	Blende	Blende	435-635S
7	ESP1100	1	Fronto	Panel	Blende	Blende	Blende	630S/635L
8	E300910	1	Protezione	Shield	Blende	Blende	Blende	430
8	E300910	1	Protezione	Shield	Blende	Blende	Blende	630S/635L
8	E300910	1	Protezione	Shield	Blende	Blende	Blende	435
8	E300910	1	Protezione	Shield	Blende	Blende	Blende	635S
8	E300910	1	Protezione	Shield	Blende	Blende	Blende	635L, 935
9	AL3100	1	Placca	Plate	Plaque	Plaque	Plaque	430, 435, 630L/930/935
9	AL3300	1	Placca	Plate	Plaque	Plaque	Plaque	630S/635L/935
9	AL3300S	1	Placca	Plate	Plaque	Plaque	Plaque	630S/635L/935/935L

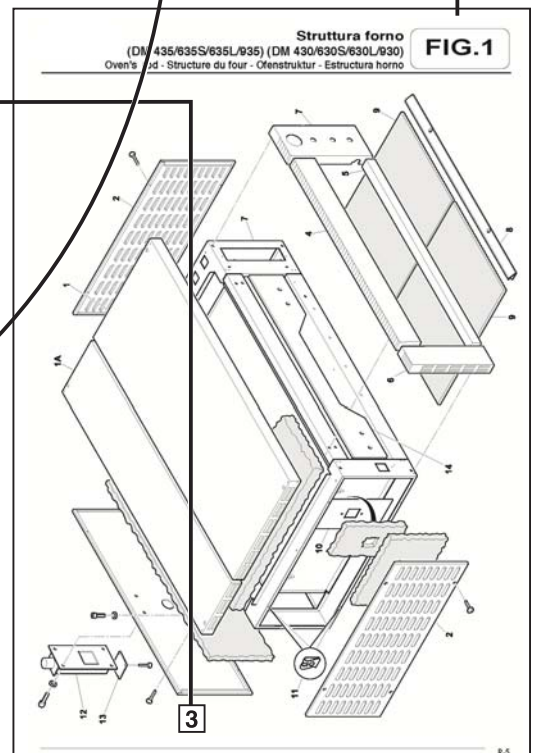


FIG.1

Struttura forno (C4-C6S-C6L-C9) (304-306S-306L-309)

Oven's rod - Structure du four - Ofenstruktur - Estructura horno

Pos.	Cod.	Q.tà	ITA	GB	F	D	E	NOTE
1	E3P6110	1	Coperchio	Cover	Couvercle	Deckel	Tapa	C6L-C9 / 306L-309
1A	E3PC410	1	Coperchio	Cover	Couvercle	Deckel	Tapa	C6S/306S
1	E3PC510	1	Coperchio	Cover	Couvercle	Deckel	Tapa	C4-C6S/304-306S
1A	E9PC110	1	Coperchio	Cover	Couvercle	Deckel	Tapa	C9/309
2	E3P0811	2	Fianco	Panel	Tableau	Tafel	Panel	C4/304
2	E9P1211	2	Fianco	Panel	Tableau	Tafel	Panel	C6S/306S
3	E3F6411	1	Schienale	Back	Dossier	Rueckenlehne	Respaldo	C4-C6S/304-306S
3	E3P6611	1	Schienale	Back	Dossier	Rueckenlehne	Respaldo	C6L-C9/306L-309
4	E9P2010	1	Cappa	Hood	Hotte	Kappe	Campana	C6L-C9/306L-309
4	E3P5010	1	Cappa	Hood	Hotte	Kappe	Campana	C4-C6S/304-306S
5	E3F1710	1	Scivolo	Chute	Goulotte	Rutsche	Rampa	C4-C6S/304-306S
5	E3P5610	1	Scivolo	Chute	Goulotte	Rutsche	Rampa	C6L-C9/306L-309
6	E3PT200	1	Frontale	Front	Frontal	Vorderteil	Parte frontal	SX /C4-C6S-C6L-C9/304-306S-306L-309
7	E3F6110	1	Frontale	Front	Frontal	Vorderteil	Parte frontal	DX /C4-C6S-C6L-C9/304-306S-306L-309
8	E3G1210	1	Protezione	Shield	Protection	Abdeckung	Defensa	C6L/306L
8	E3G1110	1	Protezione	Shield	Protection	Abdeckung	Defensa	C4-C6S/304-306S
8	E3G0710	1	Protezione	Shield	Protection	Abdeckung	Defensa	C9/309
9	AL33100	1	Pietra	Stone	Pierre	Stein	Piedra	C4/304 / 628x606x14
9	AL33600	1	Pietra	Stone	Pierre	Stein	Piedra	C6S-C6L/306S/306L / 928x66x14
9	AL33700	2	Pietra	Stone	Pierre	Stein	Piedra	C9/309 / 913x455x14
10	E3F2110	1	Contenimento lampada	Lamp housing	Espace prévu pour la lampe	Lampengehäuse	Contención lámpara	
11	MD00800	4	Molletta	Grip	Epingle	Klammer	Pinza	
12	E3E4610	1	Camino esterno	Outer chimney	Cheminée externe	Aussenschornstein	Chimenea exterior	Optional
13	E3E4710	1	Tappo inferiore camino	Lower chimney cover	Couverde inférieur de la cheminée	Unterer Schornsteindeckel	Tapón inferior chimenea	Optional
14	E3F5410	1	Ribassa camera	Chamber lowering device	Dispositif d'abaissement de la chambre	Kammerabsenkungs-Vorrichtung	Baja cámara	C4-C6S/304-306S - Optional
14	E3F5510	1	Ribassa camera	Chamber lowering device	Dispositif d'abaissement de la chambre	Kammerabsenkungs-Vorrichtung	Baja cámara	C6L-C9/306L-309 - Optional

Struttura forno
(C4-C6S-C6L-C9) (304-306S-306L-309)

FIG.1

Oven's rod - Structure du four - Ofenstruktur - Estructura horno

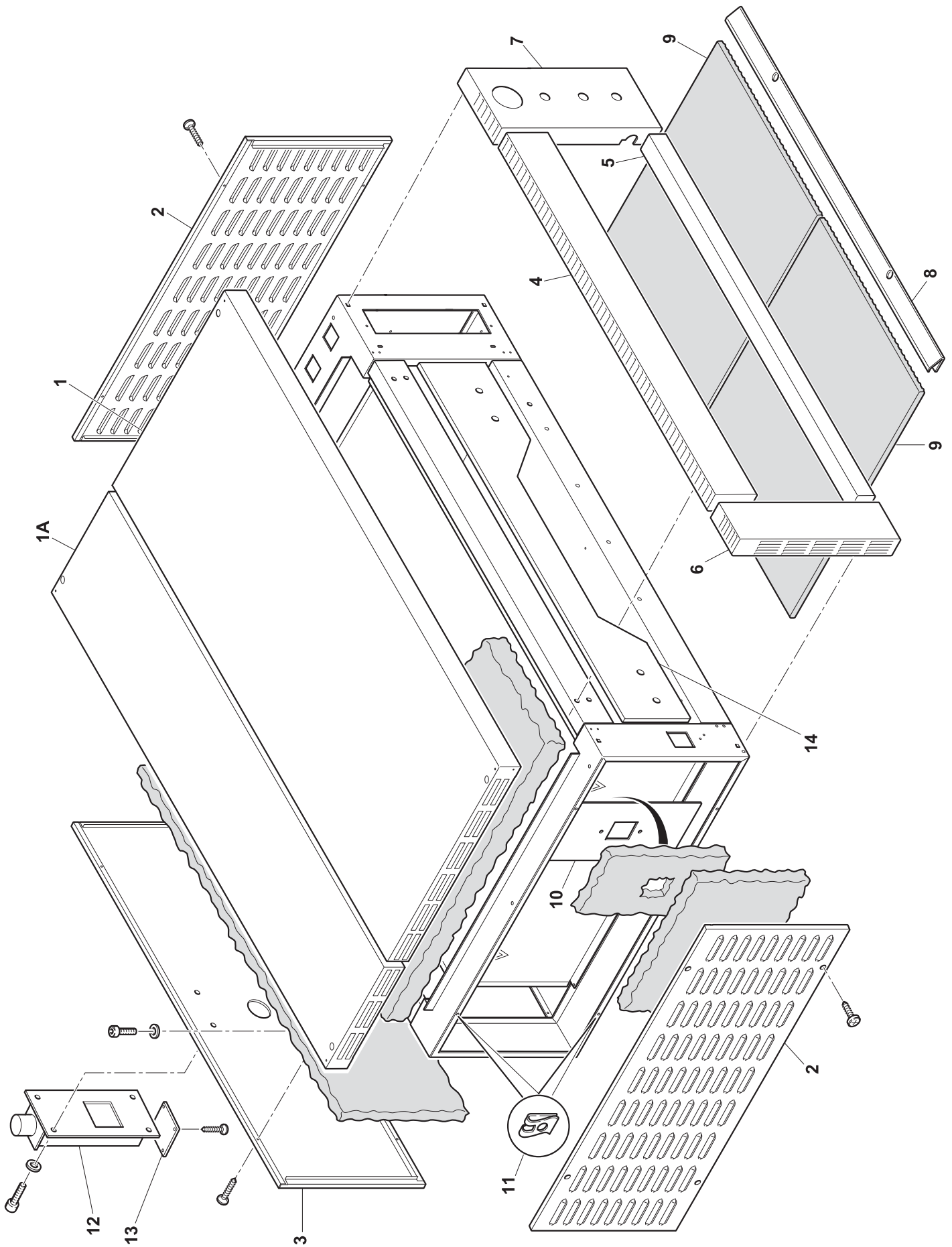


FIG.2

Struttura forno (C8B-C12SB-C12LB-C18B) (308-312S-312L-318) Oven's rod - Structure du four - Ofenstruktur - Estructura horno

Pos.	Cod.	Q.tà	ITA	GB	F	D	E	NOTE
1	E3E4610	2	Camino esterno	Outer chimney	Cheminée externe	Aussenschornstein	Chimenea exterior	Optional
2	E3E4710	1	Tappo camino	Chimney cover	Couvercle de la cheminée	Schornsteindeckel	T apón chimenea	Optional
3	E3P8311	2	Fianco	Panel	Tableau	Tafel	Panel	DX-SX / C8-C12L / 308-312L
3	E3P9711	2	Fianco	Panel	Tableau	Tafel	Panel	DX-SX / C12S-C18 / 312S-318
4	E3PC510	1	Coperchio	Cover	Couvercle	Deckel	Tapa	C8-C12S / 308-312S
4	E3P6110	1	Coperchio	Cover	Couvercle	Deckel	Tapa	C18-C12L / 312L-318
5	E3F6511	1	Schienale	Back	Dossier	Rueckenlehne	Respaldo	C8-C12S / 308-312S
5	E3F6711	1	Schienale	Back	Dossier	Rueckenlehne	Respaldo	C12L-C18 / 318-312L
6	E3P2000	1	Frontale	Front	Frontal	Vorderteil	Parte frontal	SX
7	E3F6210	1	Frontale	Front	Frontal	Vorderteil	Parte frontal	DX
8	E9P2010	1	Cappa	Hood	Hotte	Kappe	Campana	C12L-C18 / 312L-318
8	E3P5010	1	Cappa	Hood	Hotte	Kappe	Campana	C8-C12S / 308-312S
9	E3F1810	1	Scivolo divisorio	Dividing slide	Goulotte de séparation	T rennutsche	Escorregador divisorio	C8-C12S / 308-312S
9	E3P9910	1	Scivolo divisorio	Dividing slide	Goulotte de séparation	T rennutsche	Escorregador divisorio	C12L-C18 / 312L-318
10	E3F1710	1	Scivolo	Chute	Goulotte	Rutsche	Rampa	C8-C12S / 308-312S
10	E3P5610	1	Scivolo	Chute	Goulotte	Rutsche	Rampa	C18-C12L / 318-312L
11	AL33100	2	Pietra	Stone	Pierre	Stein	Piedra	C8-C12S-C12L / 308-312S-312L / 628x606x14
11	AL35800	2	Pietra	Stone	Pierre	Stein	Piedra	C12S-C12L / 312S-312L / 300x606x14
11	AL33700	4	Pietra	Stone	Pierre	Stein	Piedra	C18/318 / 913x455x14
12	E3G1210	2	Protezione	Shield	Protection	Abdeckung	Defensa	C12L-C18 / 312L-318
12	E3G1110	2	Protezione	Shield	Protection	Abdeckung	Defensa	C8-C12S / 308-312S
13	MD00800	4	Molletta	Grip	Epingle	Klammer	Pinza	
14	E3F2210	1	Contenimento lampada	Lamp housing	Espace prévu pour la lampe	Lampengehäuse	Contención lámpara	
15	E3PC410	1	Coperchio	Cover	Couvercle	Deckel	Tapa	C12S / 312S
15	E9PC110	1	Coperchio	Cover	Couvercle	Deckel	Tapa	C18 / 318
16	E3F5510	2	Ribassa camera	Chamber lowering device	Dispositif d'abaissement de la chambre	Kammerabsenkungs-Vorrichtung	Baja cámara	C12L-C18 / 312L-318 - Optional
16	E3F5410	2	Ribassa camera	Chamber lowering device	Dispositif d'abaissement de la chambre	Kammerabsenkungs-Vorrichtung	Baja cámara	C8-C12S / 308-312S - Optional

Struttura forno
(C8B-C12SB-C12LB-C18B) (308-312S-312L-318)
Oven's rod - Structure du four - Ofenstruktur - Estructura horno

FIG.2

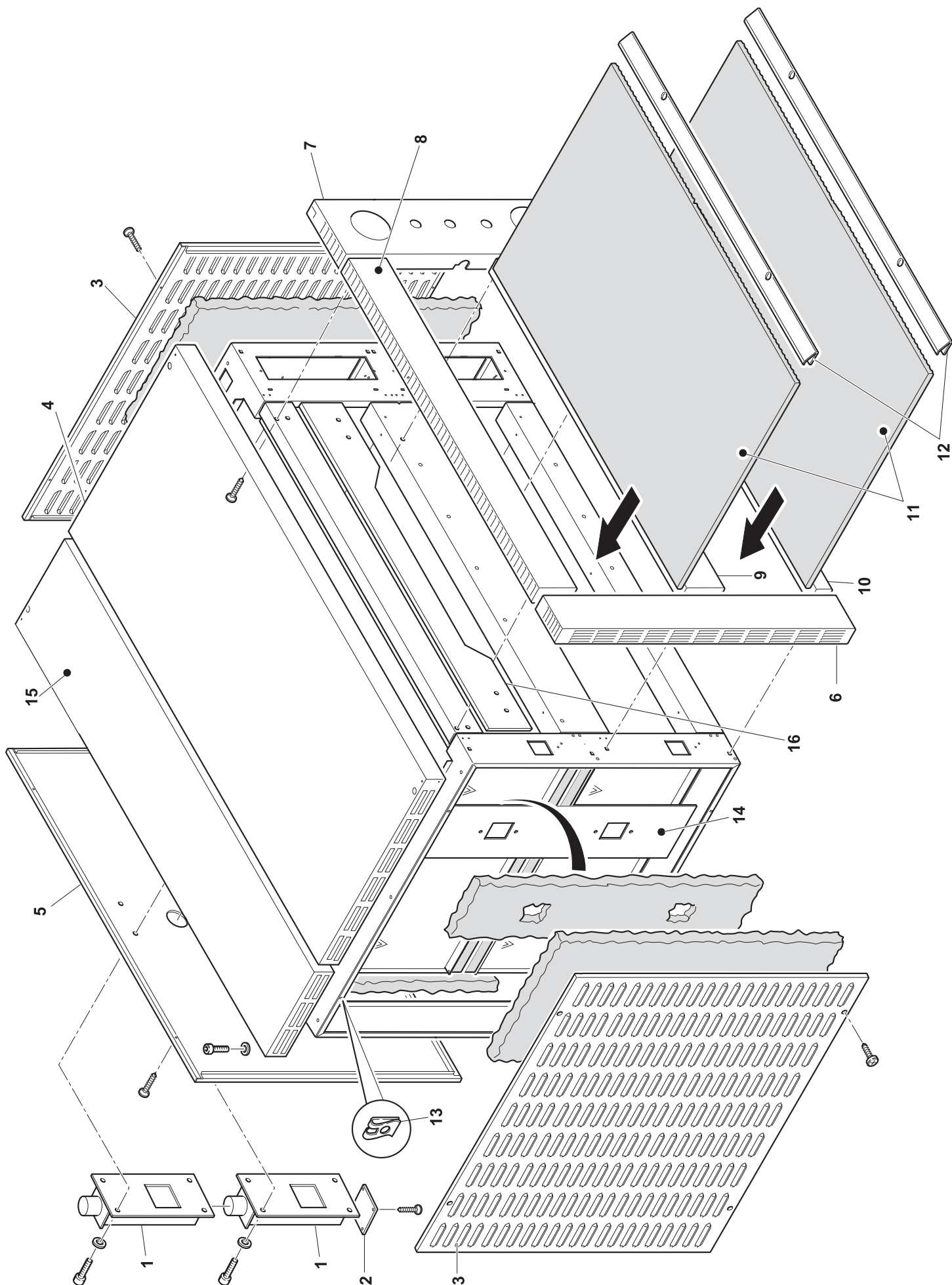


FIG.3

Resistenza forno

(C4-C6S-C6L-C9) (304-306S-306L-309)

Oven resistance - Résistance du four - Ofenwiderstand - Resistencia horno

Pos.	Cod.	Q.tà	ITA	GB	F	D	E	NOTE
1	E3K1110	1	Angolare sost. resistenza	Resistance supporting angle iron	Support	Widerstandsstützen- Winkelstück	Angular soporte resistencia	C6L/306L
1	E3K1110	1	Angolare sost. resistenza	Resistance supporting angle iron	Support	Widerstandsstützen- Winkelstück	Angular soporte resistencia	C9/309
1	WKS0410	1	Angolare sost. resistenza	Resistance supporting angle iron	Support	Widerstandsstützen- Winkelstück	Angular soporte resistencia	C4/304
1	WKS0410	1	Angolare sost. resistenza	Resistance supporting angle iron	Support	Widerstandsstützen- Winkelstück	Angular soporte resistencia	C6S/306S
2	MD003600	2	Copiglia	Cotter pin	Coupille	Splint	Pasador abierto	C4-C6L / 304-306
2	MD003600	2	Copiglia	Cotter pin	Coupille	Splint	Pasador abierto	C6S-C9 / 306S-309
3	EE24600	6	Resistenza	Resistor	Resistance	Widerstand	Resistencia	C6S / 306S / W1300 - V230
3	EE24700	6	Resistenza	Resistor	Resistance	Widerstand	Resistencia	C6L / 306L / W1300 - V230
3	EE24800	6	Resistenza	Resistor	Resistance	Widerstand	Resistencia	C9 / 309 / W2000 - V230
3	EE28200	2	Resistenza	Resistor	Resistance	Widerstand	Resistencia	C4 / 304 / W2200 - V230
4	EL06900	1	Portalampada	Bulb holder	Porte-lampe	Lampenfassung	Soporte lampara	
5	EL06600	1	Lampada	Lamp	Lampe	Lampe	Bombilla	
6	QAT2200	1	Parabola luce	Light reflector	Refecteur	Lamp Parabel	Parabola lampara	
7	AL26600	1	Guarnizione	Gasket	Joint	Dichtung	Junta	
8	AL20100	1	Vetro	Glass	Verre	Glas	Vidrio	
9	W3P4210	1	Staffa	Bracket	Etrier	Halter	Soporte	

**Resistenza forno
(C4-C6S-C6L-C9) (304-306S-306L-309)**

FIG.3

Oven resistance - Résistance du four - Ofenwiderstand - Resistencia horno

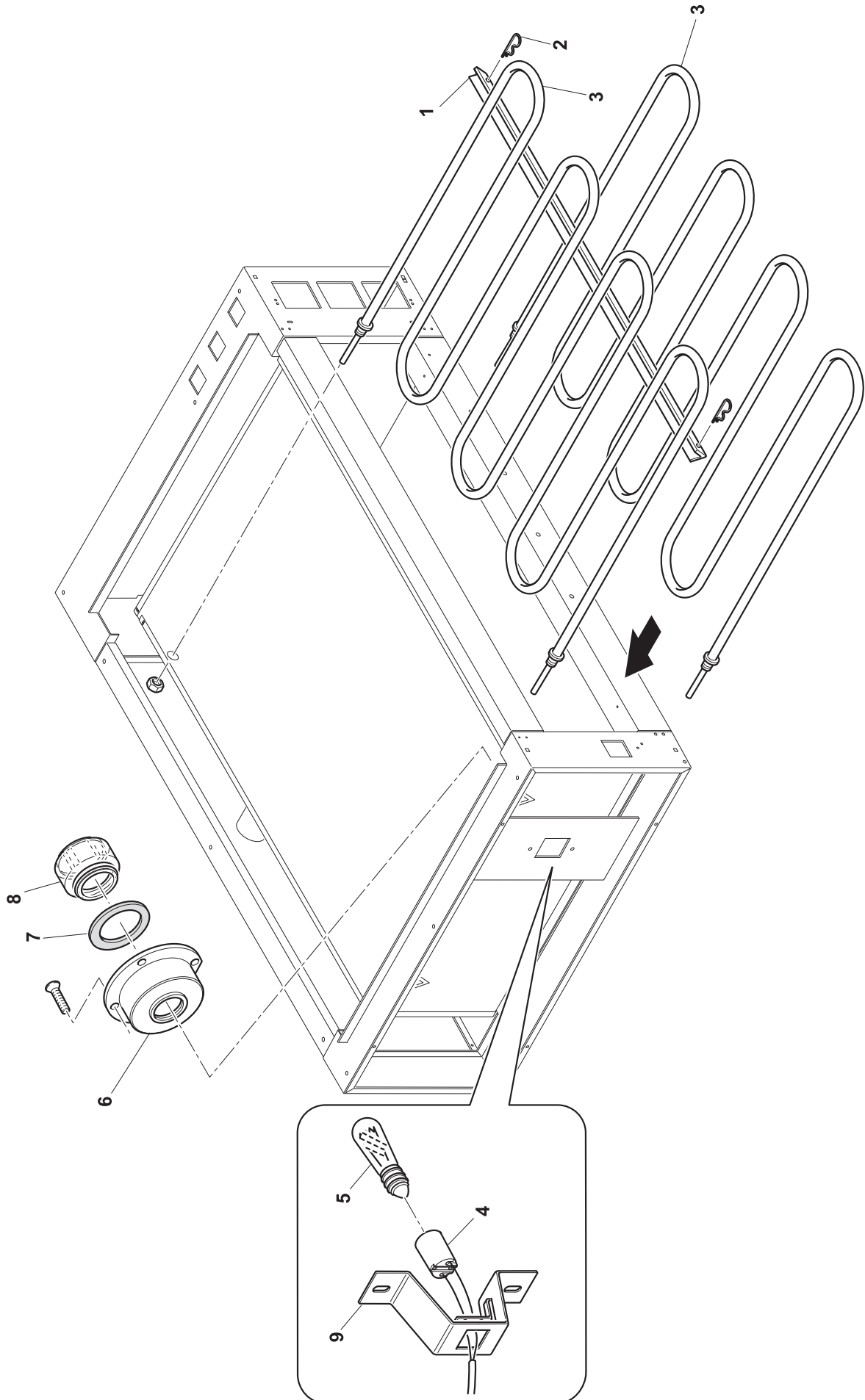


FIG.4

Resistenza forno

(C8B-C12SB-C12LB-C18B) (308-312S-312L-318)

Oven resistance - Résistance du four - Ofenwiderstand - Resistencia horno

Pos.	Cod.	Q.tà	ITA	GB	F	D	E	NOTE
1	E3K1110	2	Angolare sost. resistenza	Resistance supporting angle iron	Support	Widerstandsstützen- Winkelstück	Angular soporte	C12L/312L
1	WKS0410	2	Angolare sost. resistenza	Resistance supporting angle iron	Support	Widerstandsstützen- Winkelstück	Angular soporte	C8/308
1	WKS0410	2	Angolare sost. resistenza	Resistance supporting angle iron	Support	Widerstandsstützen- Winkelstück	Angular soporte	C12S / 312S
1	E3K1110	2	Angolare sost. resistenza	Resistance supporting angle iron	Support	Widerstandsstützen- Winkelstück	Angular soporte	C9/309
2	MD03600	4	Copiglia	Cotter pin	Coupille	Splint	Pasador abierto	C8-C12L / 308-312L
2	MD03600	4	Copiglia	Cotter pin	Coupille	Splint	Pasador abierto	C18-C12S / 318-312S
3	EE24600	12	Resistenza	Resistor	Resistance	Widerstand	Resistencia	C12S / 312S / W1300- V230
3	EE24700	12	Resistenza	Resistor	Resistance	Widerstand	Resistencia	C12L / 312L / W1300 - V230
3	EE24800	12	Resistenza	Resistor	Resistance	Widerstand	Resistencia	C18 / 318 / W2000 - V230
3	EE28200	2	Resistenza	Resistor	Resistance	Widerstand	Resistencia	C8 / 308 / W2200 - V230
4	EL06900	2	Portalampada	Bulb holder	Porte-lampe	Lampenfassung	Soporte lampara	
5	EL06600	2	Lampada	Lamp	Lampe	Lampe	Bombilla	
6	QAT2200	2	Parabola luce	Light reflector	Refecteur	Lamp Parabel	Parabola lampara	
7	AL26600	2	Guarnizione	Gasket	Joint	Dichtung	Junta	
8	AL20100	2	Vetro	Glass	Verre	Glas	Vidrio	
9	W3P4210	2	Staffa	Bracket	Etrier	Halter	Soporte	

Resistenza forno
(C8B-C12SB-C12LB-C18B) (308-312S-312L-318)
Oven resistance - Résistance du four - Ofenwiderstand - Resistencia horno

FIG.4

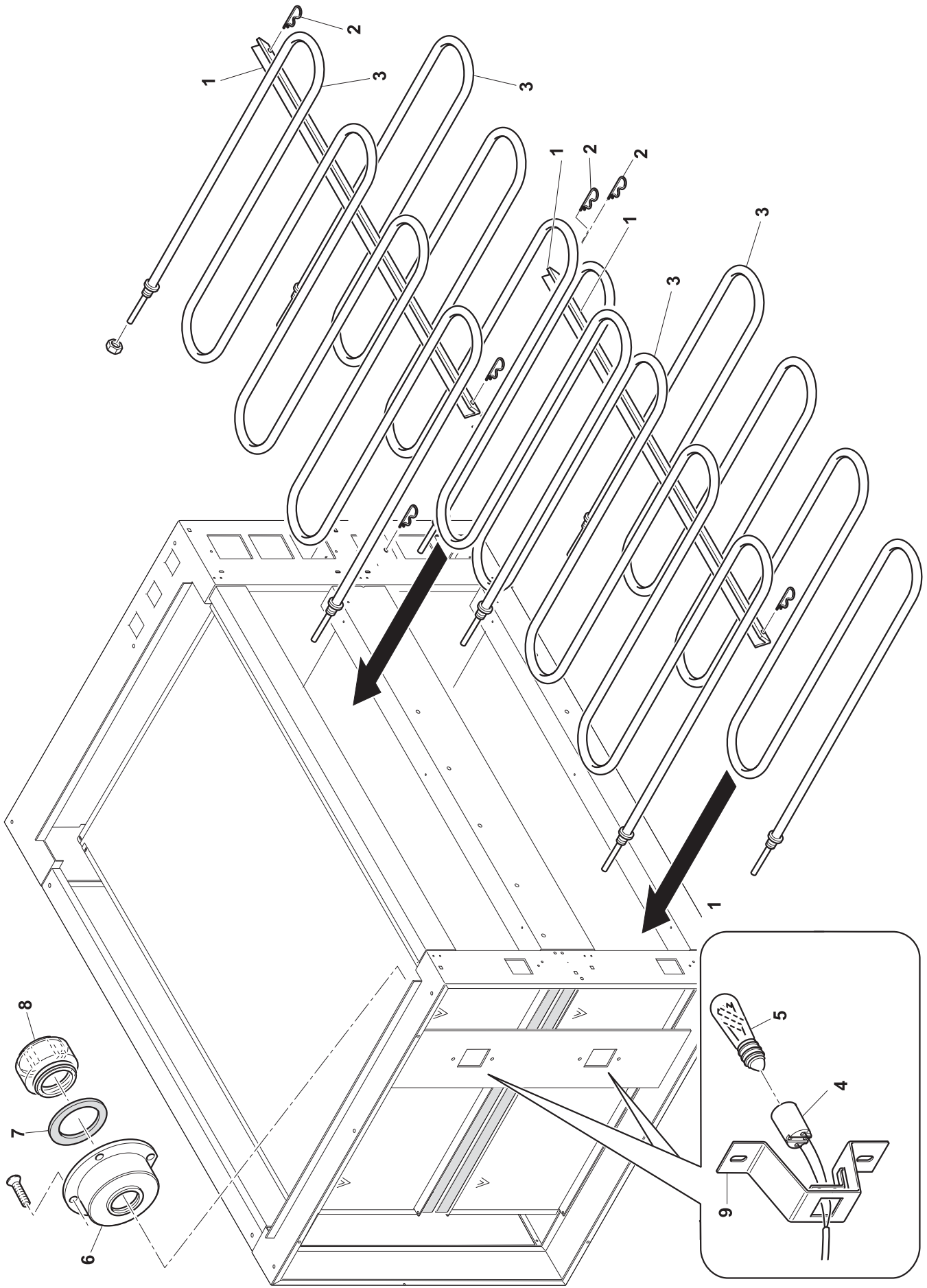


FIG.5

Porta frontale Forward door - Porte avant Vorwärtstür - Puerta adelante

Pos.	Cod.	Q.tà	ITA	GB	F	D	E	NOTE
1	E3T2320	2	Telaio	Mast	Chassis	Mast	Bastidor	C8-C12S / 308-312S
1	E3T2320	1	Telaio	Mast	Chassis	Mast	Bastidor	C4-C6S / 304-306S
1	E3T2420	1	Telaio	Mast	Chassis	Mast	Bastidor	C6L-C9 / 306L-309
1	E3T2420	2	Telaio	Mast	Chassis	Mast	Bastidor	C12L-C18 / 312L-318
2	E3FP110	1	Frontale porta	Door front	Frontale porte	Türvorderseite	Parte frontal puerta	C4-C6S / 304-306S
2	E3FP110	2	Frontale porta	Door front	Frontale porte	Türvorderseite	Parte frontal puerta	C8-C12S / 308-312S
2	E9PP610	1	Frontale porta	Door front	Frontale porte	Türvorderseite	Parte frontal puerta	C6L-C9 / 306L-309
2	E9PP610	2	Frontale porta	Door front	Frontale porte	Türvorderseite	Parte frontal puerta	C12L-C18 / 312L-318
3	E3FP210	1	Porta	Door	Porte	Tuer	Puerta	C4-C6S / 304-306S
3	E3FP210	2	Porta	Door	Porte	Tuer	Puerta	C8-C12S / 308-312S
3	E9PP510	1	Porta	Door	Porte	Tuer	Puerta	C6L-C9 / 306L-309
3	E9PP510	2	Porta	Door	Porte	Tuer	Puerta	C12L-C18 / 312L-318
4	AC07100	1	Rondella	Washer	Rondelle	Scheibe	Arandela	C4-C6S-C6L-C9 / 304-306S-306L-309
4	AC07100	2	Rondella	Washer	Rondelle	Scheibe	Arandela	C8-C12S-C12L-C18 / 308-312S-312L-318
5	AL27600	1	Vetro	Glass	Verre	Glas	Vidrio	C4-C6S-C6L-C9 / 304-306S-306L-309
5	AL27600	2	Vetro	Glass	Verre	Glas	Vidrio	C8-C12S-C12L-C18 / 308-312S-312L-318
6	AC06600	1	Manopola	Handle	Poignée	Handgriff	Tirador de la puerta	C4-C6S-C6L-C9 / 304-306S-306L-309
6	AC06600	2	Manopola	Handle	Poignée	Handgriff	Tirador de la puerta	C8-C12S-C12L-C18 / 308-312S-312L-318
7	MD04900	1	Molla	Spring	Ressort	Feder	Resorte	C4-C6S-C6L-C9 / 304-306S-306L-309
7	MD04900	2	Molla	Spring	Ressort	Feder	Resorte	C8-C12S-C12L-C18 / 308-312S-312L-318
8	E1K0300	2	Boccola	Bushing	Douille	Buchse	Casquillo	C4-C6S-C6L-C9 / 304-306S-306L-309
8	E1K0300	4	Boccola	Bushing	Douille	Buchse	Casquillo	C8-C12S-C12L-C18 / 308-312S-312L-318
9	E1K0100	1	Sostegno	Support	Support	Lager	SopORTE	DX / C4-C6S-C6L-C9 / 304-306S-306L-309
9	E1K0100	2	Sostegno	Support	Support	Lager	SopORTE	DX / C8-C12S-C12L-C18 / 308-312S-312L-318
10	E1K0200	1	Sostegno	Support	Support	Lager	SopORTE	SX / C4-C6S-C6L-C9 / 304-306S-306L-309
10	E1K0200	2	Sostegno	Support	Support	Lager	SopORTE	SX / C8-C12S-C12L-C18 / 308-312S-312L-318
11	E3T2510	1	Complessivo porta	Door whole	Groupe	Türgesamtheit	Conjunto puerta	C4-C6S / 304-306S
11	E3T2510	2	Complessivo porta	Door whole	Groupe	Türgesamtheit	Conjunto puerta	C8-C12S / 308-312S
11	E3T2610	1	Complessivo porta	Door whole	Groupe	Türgesamtheit	Conjunto puerta	C6L-C9 / 306L-309
11	E3T2610	2	Complessivo porta	Door whole	Groupe	Türgesamtheit	Conjunto puerta	C12L-C18 / 312L-318

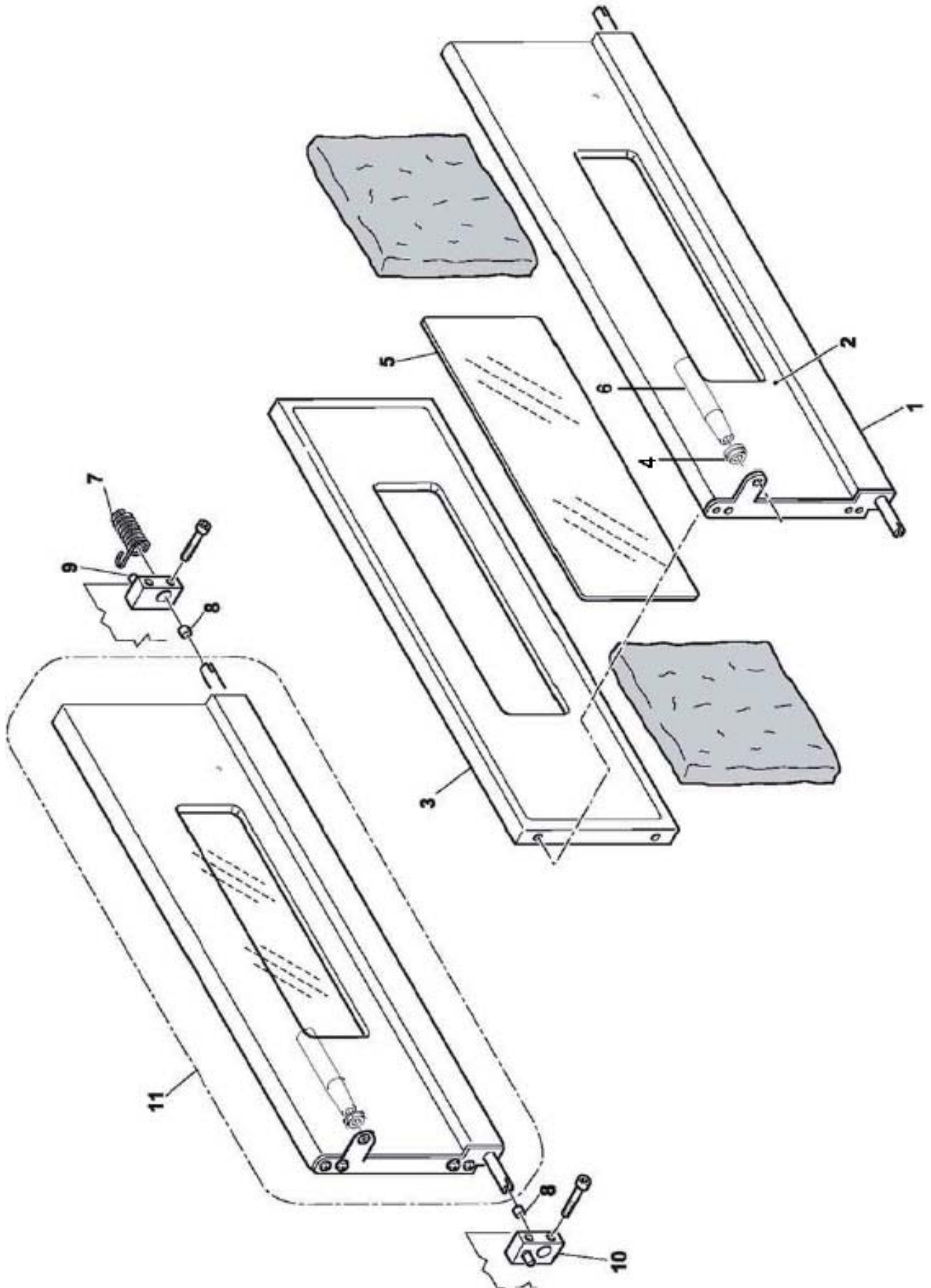


FIG.6

Comandi Controls - Commandes steuerelemente - Mandos

Pos.	Cod.	Q.tà	ITA	GB	F	D	E	NOTE
1	ED07500	1	Termometro (0-500°)	Heat indicator (0-500°)	Thermometre (0-500°)	Thermoter (0-500°)	Termometro (0-500°)	C4-C6S-C6LC9 / 304-306S-306L-309
1	ED07500	2	Termometro (0-500°)	Heat indicator (0-500°)	Thermometre (0-500°)	Thermoter (0-500°)	Termometro (0-500°)	C8-C12S-C12L-C18 / 308-312S-312L-318
2	AC06200	2	Manopola	Knob	Poignee	Handgriff	Perilla	C4-C6S-C6LC9 / 304-306S-306L-309
2	AC06200	4	Manopola	Knob	Poignee	Handgriff	Perilla	C8-C12S-C12L-C18 / 308-312S-312L-318
3	EL00200	3	Portalampada	Bulb holder	Porte-lampe	Lampenfassung	Soporte lampara	C4-C6S-C6LC9 / 304-306S-306L-309
3	EL00200	6	Portalampada	Bulb holder	Porte-lampe	Lampenfassung	Soporte lampara	C8-C12S-C12L-C18 / 308-312S-312L-318
4	EL00300	3	Lampada	Lamp	Lampe	Lampe	Bombilla	C4-C6S-C6LC9 / 304-306S-306L-309
4	EL00300	6	Lampada	Lamp	Lampe	Lampe	Bombilla	C8-C12S-C12L-C18 / 308-312S-312L-318
5	AM51600	1	Targa comandi	Control plate	Plaque commandes	Steuerelemente	Chapa mandos	C4-C6S-C6L-C9
5	AM51600	2	Targa comandi	Control plate	Plaque commandes	Steuerelemente	Chapa mandos	C8-C12S-C12L-C18
5	AM51700	1	Targa comandi	Control plate	Plaque commandes	Steuerelemente	Chapa mandos	304-306S-306L-309
5	AM51700	2	Targa comandi	Control plate	Plaque commandes	Steuerelemente	Chapa mandos	308-312S-312L-318
6	EF00400	1	Interruttore	Switch	Interrupteur	Schalter	Interruptor	C4-C6S-C6LC9 / 304-306S-306L-309
6	EF00400	2	Interruttore	Switch	Interrupteur	Schalter	Interruptor	C8-C12S-C12L-C18 / 308-312S-312L-318
7	ED00700	2	Termostato (50-400°)	Thermostat (50-400°)	Thermostat (50-400°)	Thermostat (50-400°)	Termostato (50-400°)	C4-C6S-C6LC9 / 304-306S-306L-309
7	ED00700	4	Termostato (50-400°)	Thermostat (50-400°)	Thermostat (50-400°)	Thermostat (50-400°)	Termostato (50-400°)	C8-C12S-C12L-C18 / 308-312S-312L-318
8	ED02300	1	Termostato di sicurezza	Thermostat	Thermostat	Thermostat	Termostato	C4-C6S-C6LC9 / 304-306S-306L-309
8	ED02300	2	Termostato di sicurezza	Thermostat	Thermostat	Thermostat	Termostato	C8-C12S-C12L-C18 / 308-312S-312L-318
9	EN17000	1	Teleruttore	Remote switch	Contacteur	Schuetz	Teleruptor	C4/304
9	EN17000	2	Teleruttore	Remote switch	Contacteur	Schuetz	Teleruptor	C8-C6S-C6LC9 / 306S-306L-309-308
9	EN17000	4	Teleruttore	Remote switch	Contacteur	Schuetz	Teleruptor	C12S-C12L-C18 / 312S-312L-318
10	AD00600	1	Pressacavo	Cable pressing element	Pressecâble	Kabelpresselement	\$ujetacable	
11	EP10100	1	Morsettiera	Terminal board	Plaque a borne	Klemmenbrett	Borne	C4-C6S-C6L-C8-C9 / 304-306S-306L-308-309
11	EP10100	1	Morsettiera	Terminal board	Plaque a borne	Klemmenbrett	Borne	C12S-C12L-C18 / 312S-312L-318
15	A111510	1	Barra omega	Omega bar	Barre omega	Omega-Stab	Barra omega	C6S-C6L-C9 / 306S-306L-309
15	A111510	2	Barra omega	Omega bar	Barre omega	Omega-Stab	Barra omega	C12S-C12L-C18 / 312S-312L-318
15	HAT6010	1	Barra omega	Omega bar	Barre omega	Omega-Stab	Barra omega	C4/304
15	HAT6010	2	Barra omega	Omega bar	Barre omega	Omega-Stab	Barra omega	C8/308

