



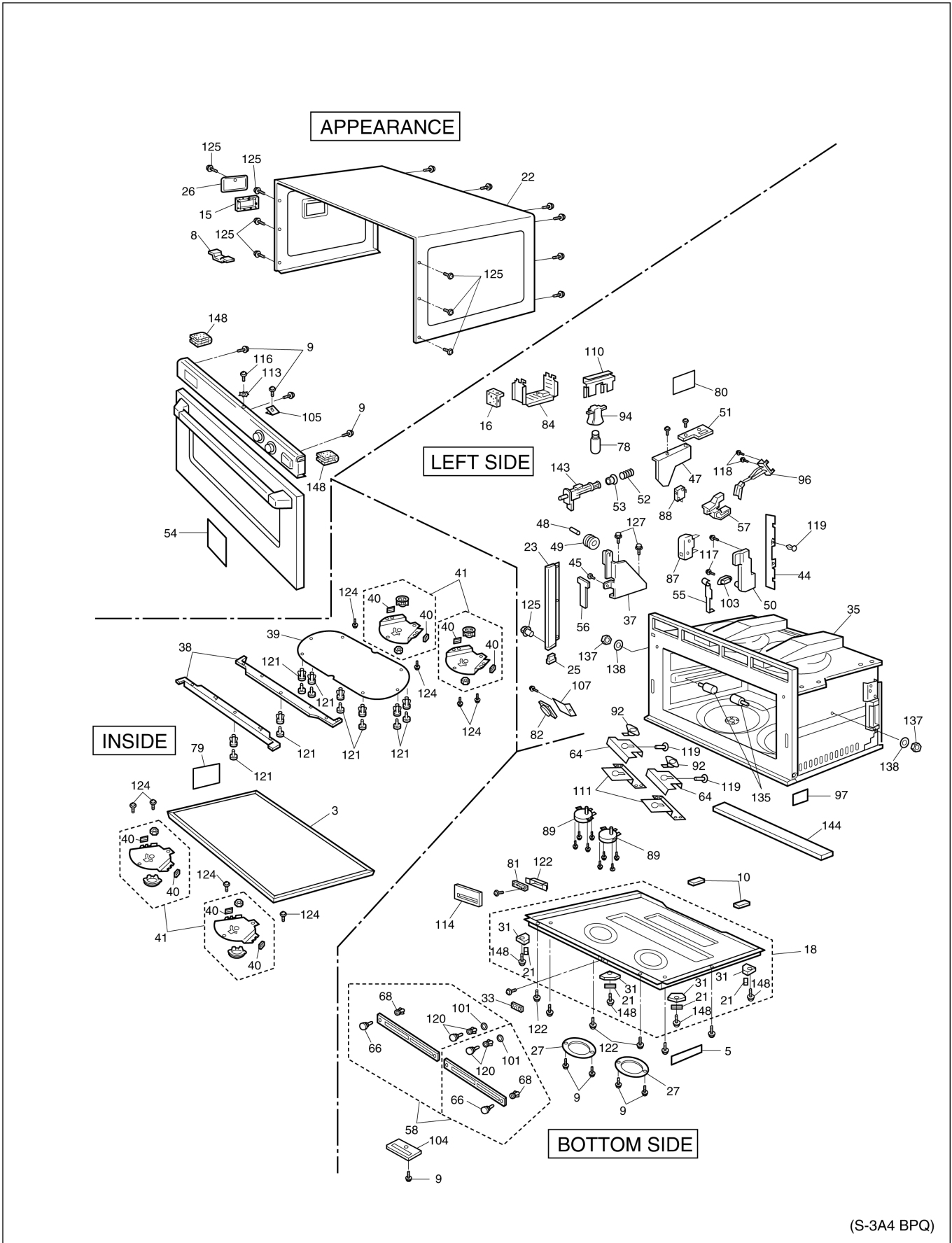
Snackgeräte Mikrowelle

Artikel-Nr.
90213021 (NE-3240)

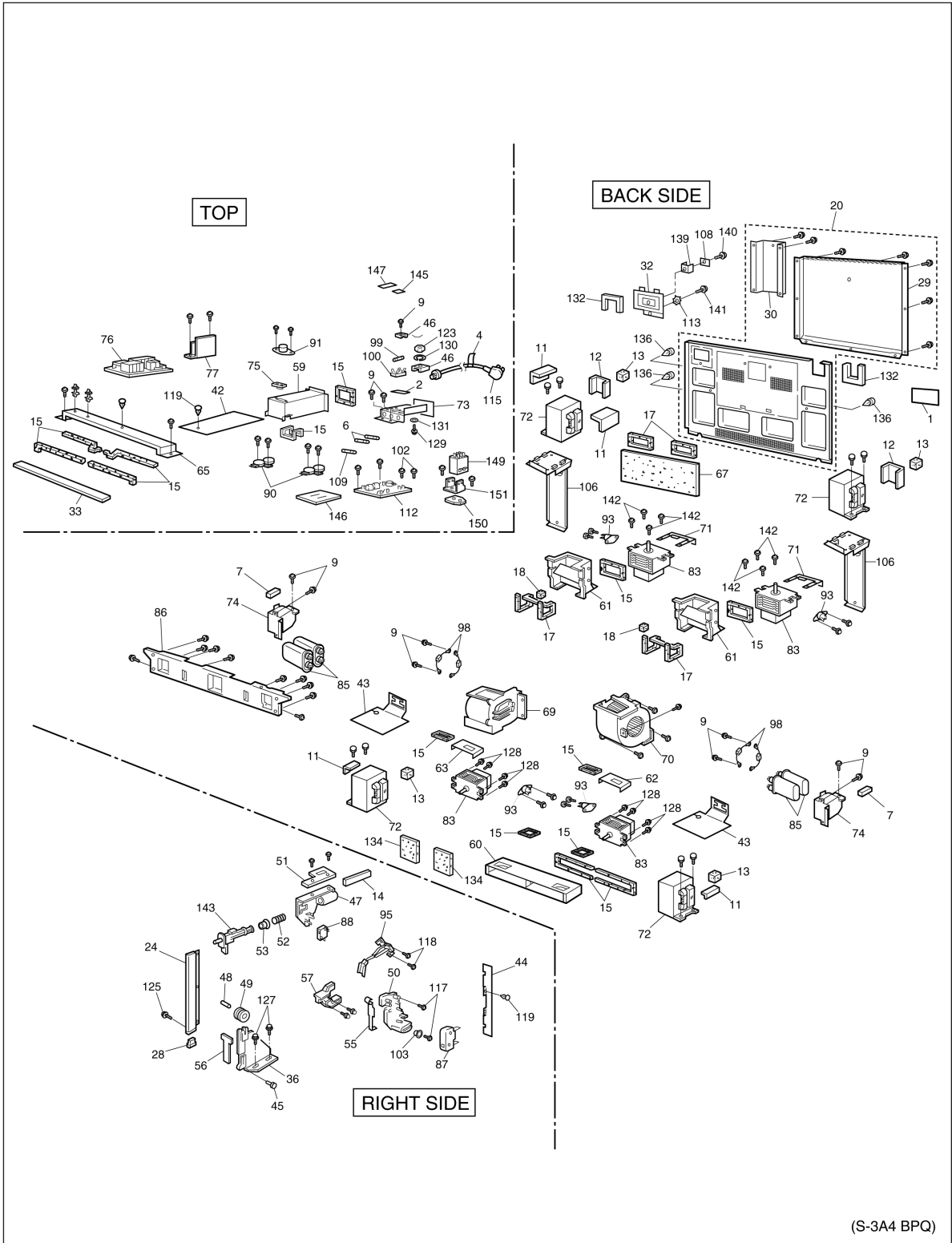
Explosionszeichnung / Ersatzteile

Bitte bei Ersatzteilbestellung immer Artikelnummer und Seriennummer mit angeben!

18 EXPLODED VIEW AND PARTS LIST



(S-3A4 BPQ)



(S-3A4 BPQ)

19 PARTS LIST

NOTE

When ordering replacement part(s), please use part number(s) shown in this parts list.

Do not use description of the part.

Important safety:

Components identified by \triangle mark have special characteristics important for safety.

When replacing any of these components, use only manufacturer's specified parts.

Ref. No.	Part No.	Part Name & Description	Pcs/Set	Remarks
1	A00064080BP	CAUTION LABEL	1	FOR BPQ

Ref. No.	Part No.	Part Name & Description	Pcs/Set	Remarks
1	ANE00062Q0EP	CAUTION LABEL	1	FOR EUG
2	A00333030GP	FUSE LABEL	1	NE-3240
2	A00333A60BP	FUSE LABEL	1	NE-2180
3	ANE0033P10GN	FUSE LABEL	1	NE-2140
3	A010T3030GP	SHELF	1	
4	A02393A80BP	CORD LABEL	1	NE-3280, NE-2180
5	A05243A40BP	NAME LABEL	1	NE-3280
5	A05243A50BP	NAME LABEL	1	NE-2180
5	A05243A60EU	NAME LABEL	1	NE-3240
5	A05243A70EU	NAME LABEL	1	NE-2140
6	A67593030GP	FUSE	2	△ NE-3240 (10A)
6	A67593560GP	FUSE	2	△ NE-2140 (7A)
7	ANE0911000DC	CUSHION RUBBER B	1	NE-3280
7	ANE0911000DC	CUSHION RUBBER B	1	NE-3280
8	ANE0911000DF	CUSHION RUBBER B	1	
9	XYD4+EE12F	SCREW	19	NE-3240, NE-2140, 2180 (4X12) (FOR TERMINAL PLATE ANTENNA, MOTOR COVER, SWITCH HOLDER, DIODE, CAPACITOR BRACKET, ESCUTCHEON BASE, DPC EARTH)
9	XYD4+EE12F	SCREW	18	NE-3280 (FOR TERMINAL PLATE ANTENNA, MOTOR COVER, SWITCH HOLDER, DIODE, CAPACITOR BRACKET, ESCUTCHEON BASE, DPC EARTH)
9	XYD4+EE12F	SCREW	19	NE-3240, NE-2140, 2180 (4X12) (FOR TERMINAL PLATE ANTENNA, MOTOR COVER, SWITCH HOLDER, DIODE, CAPACITOR BRACKET, ESCUTCHEON BASE, DPC EARTH)
9	XYD4+EE12F	SCREW	19	NE-3240, NE-2140, 2180 (4X12) (FOR TERMINAL PLATE ANTENNA, MOTOR COVER, SWITCH HOLDER, DIODE, CAPACITOR BRACKET, ESCUTCHEON BASE, DPC EARTH)
9	XYD4+EE12F	SCREW	19	NE-3240, NE-2140, 2180 (4X12) (FOR TERMINAL PLATE ANTENNA, MOTOR COVER, SWITCH HOLDER, DIODE, CAPACITOR BRACKET, ESCUTCHEON BASE, DPC EARTH)
9	XYD4+EE12F	SCREW	19	NE-3240, NE-2140, 2180 (4X12) (FOR TERMINAL PLATE ANTENNA, MOTOR COVER, SWITCH HOLDER, DIODE, CAPACITOR BRACKET, ESCUTCHEON BASE, DPC EARTH)
9	XYD4+EE12F	SCREW	19	NE-3240, NE-2140, 2180 (4X12) (FOR TERMINAL PLATE ANTENNA, MOTOR COVER, SWITCH HOLDER, DIODE, CAPACITOR BRACKET, ESCUTCHEON BASE, DPC EARTH)
9	XYD4+EE12F	SCREW	19	NE-3240, NE-2140, 2180 (4X12) (FOR TERMINAL PLATE ANTENNA, MOTOR COVER, SWITCH HOLDER, DIODE, CAPACITOR BRACKET, ESCUTCHEON BASE, DPC EARTH)
9	XYD4+EE12F	SCREW	19	NE-3240, NE-2140, 2180 (4X12) (FOR TERMINAL PLATE ANTENNA, MOTOR COVER, SWITCH HOLDER, DIODE, CAPACITOR BRACKET, ESCUTCHEON BASE, DPC EARTH)
9	XYD4+EE12F	SCREW	19	NE-3240, NE-2140, 2180 (4X12) (FOR TERMINAL PLATE ANTENNA, MOTOR COVER, SWITCH HOLDER, DIODE, CAPACITOR BRACKET, ESCUTCHEON BASE, DPC EARTH)
9	XYD4+EE12F	SCREW	19	NE-3240, NE-2140, 2180 (4X12) (FOR TERMINAL PLATE ANTENNA, MOTOR COVER, SWITCH HOLDER, DIODE, CAPACITOR BRACKET, ESCUTCHEON BASE, DPC EARTH)
9	XYD4+EE12F	SCREW	19	NE-3240, NE-2140, 2180 (4X12) (FOR TERMINAL PLATE ANTENNA, MOTOR COVER, SWITCH HOLDER, DIODE, CAPACITOR BRACKET, ESCUTCHEON BASE, DPC EARTH)
10	ANE0911000EG	CUSHION RUBBER B	2	
11	ANE0911000EH	CUSHION RUBBER B	2	NE-2180, NE-2140
11	ANE0911000EH	CUSHION RUBBER B	4	NE-3280, NE-3240
11	ANE0911000EH	CUSHION RUBBER B	2	NE-2180, NE-2140
11	ANE0911000EH	CUSHION RUBBER B	2	NE-2180, NE-2140
12	ANE0911000MG	CUSHION RUBBER B	2	NE-3280, NE-3240
12	ANE0911000MG	CUSHION RUBBER B	2	NE-3280, NE-3240
13	ANE0917000EB	CUSHION RUBBER B	2	
13	ANE0917000EB	CUSHION RUBBER B	2	
13	ANE0917000EB	CUSHION RUBBER B	2	
13	ANE0917000EB	CUSHION RUBBER B	2	
14	ANE0921000CG	CUSHION RUBBER C	1	
15	ANE0922000AR	CUSHION RUBBER C	14	
15	ANE0922000AR	CUSHION RUBBER C	14	
15	ANE0922000AR	CUSHION RUBBER C	14	
15	ANE0922000AR	CUSHION RUBBER C	14	
15	ANE0922000AR	CUSHION RUBBER C	14	
15	ANE0922000AR	CUSHION RUBBER C	14	
15	ANE0922000AR	CUSHION RUBBER C	14	
15	ANE0922000AR	CUSHION RUBBER C	14	
15	ANE0922000AR	CUSHION RUBBER C	14	
15	ANE0922000AR	CUSHION RUBBER C	14	
15	ANE0922000AR	CUSHION RUBBER C	14	

Ref. No.	Part No.	Part Name & Description	Pcs/Set	Remarks
15	ANE0922000AR	CUSHION RUBBER C	14	
15	ANE0922000AR	CUSHION RUBBER C	14	
16	ANE0922000JE	CUSHION RUBBER C	1	
17	ANE0923000AV	CUSHION RUBBER C	2	
17	ANE0923000AV	CUSHION RUBBER C	2	
17	ANE0923000AV	CUSHION RUBBER C	2	
18	ANE0924000AB	CUSHION RUBBER C	2	
18	ANE0924000AB	CUSHION RUBBER C	2	
18	ANE0924000AB	CUSHION RUBBER C	2	
19	A100A3560BP	BASE	1	(NOTE)
20	A100Q3560GP	BACK PANEL	1	
21	A1008-3280	RUBBER FOOT	4	
21	A1008-3280	RUBBER FOOT	4	
21	A1008-3280	RUBBER FOOT	4	
21	A1008-3280	RUBBER FOOT	4	
22	A10093030GP	CABINET BODY(U)	1	
23	A10133030GP	LEFT SIDE SASH	1	
24	A10143030GP	RIGHT SIDE SASH	1	
25	A10203030GP	SASH RUBBER B	1	LEFT
26	A10263030GP	LAMP COVER	1	
27	A10283030GP	ANTENNA MOTOR COVER	2	
27	A10283030GP	ANTENNA MOTOR COVER	2	
28	A10503030GP	SASH RUBBER A	1	RIGHT
29	A10583560GP	BACK PANEL COVER A	1	
30	A10593560GP	BACK PANEL COVER B	1	
31	A1007-3280	FOOT A	4	
31	A1007-3280	FOOT A	4	
31	A1007-3280	FOOT A	4	
31	A1007-3280	FOOT A	4	
32	A101H3170GP	BACK PANEL COVER C	1	
32	A101H3170GP	BACK PANEL COVER C	1	
32	A101H3170GP	BACK PANEL COVER C	1	
32	A101H3170GP	BACK PANEL COVER C	1	
33	A11743060GP	SPACER	1	
33	A11743060GP	SPACER	1	
34	A16163030GP	PANEL B(U)	1	NE-3280,NE-3240,NE-2140
34	A16163060GP	PANEL B(U)	1	NE-2180
35	A200A3560GP	OVEN	1	
36	A200P3030GP	ROLLER BRACKET A	1	RIGHT
37	A200Q3030GP	ROLLER BRACKET B	1	LEFT
38	A20103030GP	CEILING PLATE B	2	
39	A20113030GP	CEILING PLATE	1	
40	A20193030GP	ANTENNA STOPPER	8	
40	A20193030GP	ANTENNA STOPPER	8	
40	A20193030GP	ANTENNA STOPPER	8	
40	A20193030GP	ANTENNA STOPPER	8	
40	A20193030GP	ANTENNA STOPPER	8	
40	A20193030GP	ANTENNA STOPPER	8	
40	A20193030GP	ANTENNA STOPPER	8	
41	A202R3560GP	ANTENNA (U)	4	
41	A202R3560GP	ANTENNA (U)	4	
42	A22173030GP	BARRIER SHEET A	1	
43	A22183030GP	BARRIER SHEET B	2	NE-3280,NE-3240
43	A22183030GP	BARRIER SHEET B	2	NE-3280,NE-3240
44	A22193030GP	BARRIER SHEET C	1	NE-2180,NE-2140
44	A22193030GP	BARRIER SHEET C	2	NE-3280,NE-3240
45	ANE3008P00RN	HINGE PIN	2	
45	ANE3008P00RN	HINGE PIN	2	
46	XWNAE53GV	SPACER	1	(FOR CORD EARTH)
46	XWNAE53GV	SPACER	1	(FOR CORD EARTH)
47	A30203030GP	DOOR HOOK A	2	
47	A30203030GP	DOOR HOOK A	2	
48	ANE3033-560	DOOR ROLLER PIN	2	
48	ANE3033-560	DOOR ROLLER PIN	2	
49	ANE3034-560	DOOR GUIDE ROLLER	2	
49	ANE3034-560	DOOR GUIDE ROLLER	2	
50	A31123050GP	DOOR HOOK B	2	NE-3280,NE-2180
50	A31123030GP	DOOR HOOK B	2	NE-3240,NE-2140
51	A31363030GP	HOOK SPACER A	2	
51	A31363030GP	HOOK SPACER A	2	
52	ANE3155-610	SPRING	2	
52	ANE3155-610	SPRING	2	
53	ANE3157-610	PACKING RUBBER	2	

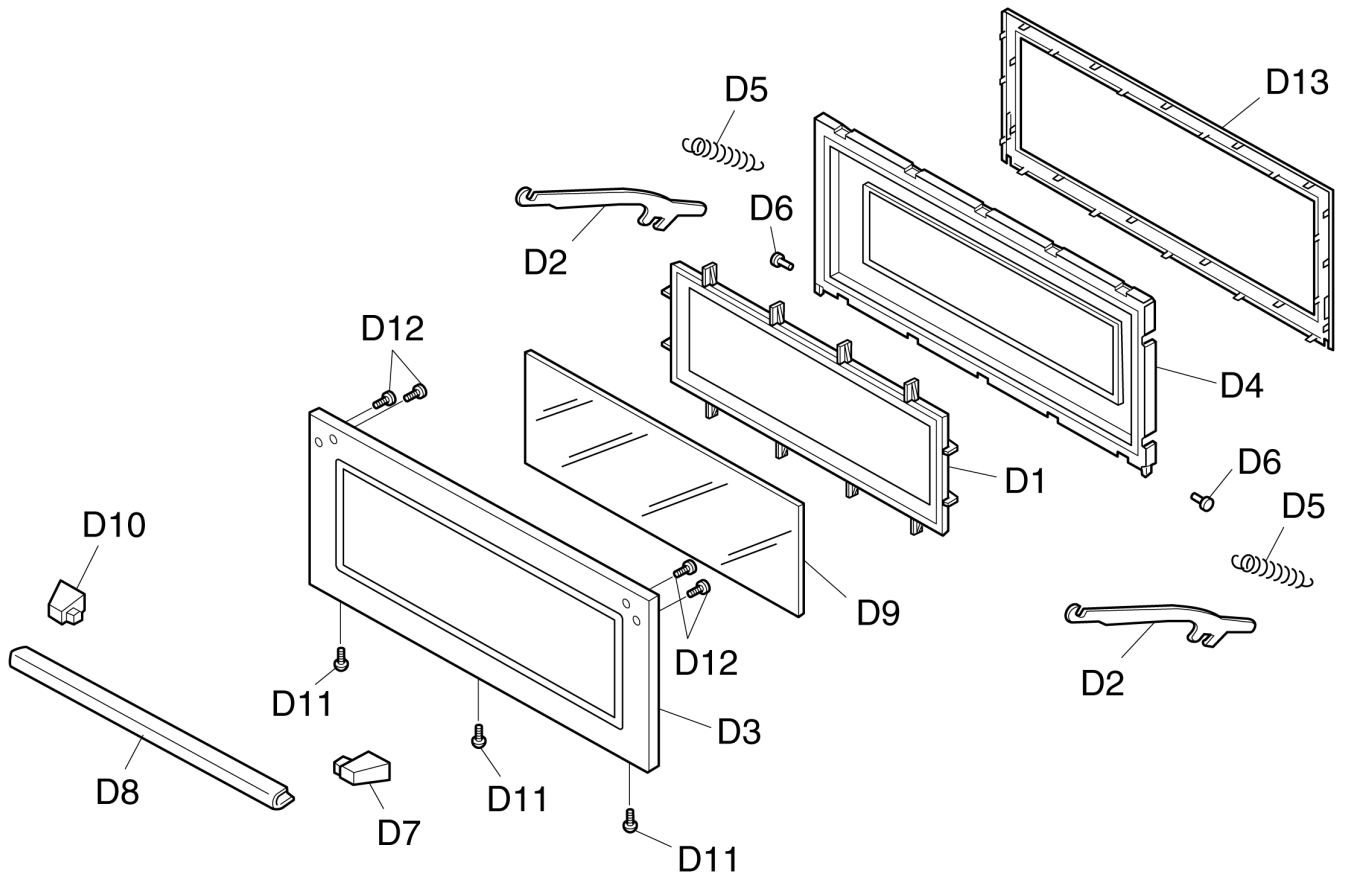
Ref. No.	Part No.	Part Name & Description	Pcs/Set	Remarks
53	ANE3157-610	PACKING RUBBER	2	
54	A31863A40BP	DOOR PANEL	1	NE-3280
54	A31863A50EU	DOOR PANEL	1	NE-3240
54	A31863A60BP	DOOR PANEL	1	NE-2180
54	A31863A70EU	DOOR PANEL	1	NE-2140
55	A32493030GP	DOOR SWITCH LEVER	2	
55	A32493030GP	DOOR SWITCH LEVER	2	
56	A32523030GP	DOOR ARM SPACER	2	
56	A32523030GP	DOOR ARM SPACER	2	
57	A33373030GP	DOOR ARM LEVER	2	
57	A33373030GP	DOOR ARM LEVER	2	
58	A400B3040AP	AIR FILTER FLAME(U)	2	
59	A400C3040AP	EXHAUST GUIDE B	1	
60	A402N3030GP	EXHAUST GUIDE A	1	
61	A40253030GP	AIR GUIDE A	2	
61	A40253030GP	AIR GUIDE A	2	
62	A40263030GP	AIR GUIDE B	1	
63	A40313030GP	AIR GUIDE C	1	
64	A40423040AP	AIR GUIDE F	2	
64	A40423040AP	AIR GUIDE F	2	
65	A40473560GP	AIR GUIDE E	1	
66	A40923030GP	FILTER HANDLE	2	
66	A40923030GP	FILTER HANDLE	2	
67	A40963030GP	INSULATION SHEET	1	
68	ANE42408U0AP	FILTER HANDLE B	2	
68	ANE42408U0AP	FILTER HANDLE B	2	
69	A490W3050GP	FAN MOTOR A	1	NE-2180,NE-2140
69	A490W3030GP	FAN MOTOR A	1	NE-3280,NE-3240
70	A490Y3050GP	FAN MOTOR B	1	NE-2180,NE-2140
70	A490Y3030GP	FAN MOTOR B	1	NE-3280,NE-3240
71	ANE50328U0AP	MAGNETRON BRACKET	2	
71	ANE50328U0AP	MAGNETRON BRACKET	2	
72	A622A3A50EU	H.V.TRANSFORMER	2	△ NE-3240
72	A622A3A50BP	H.V.TRANSFORMER	4	△ NE-3280
72	A622A3A60BP	H.V.TRANSFORMER	2	△ NE-2180
72	A622A3A70EU	H.V.TRANSFORMER	2	△ NE-2140
73	A600E3030GP	TERMINAL PLATE	1	
73	A600E3030BP	TERMINAL PLATE	1	
74	A600S3030GP	CAPACITOR BRACKET	2	NE-2180,NE-2140
74	A600S3A40BP	CAPACITOR BRACKET	2	NE-3280,NE-3240
75	A601L4000AP	TEMP SENSOR	1	
76	A603M3560BP	P.C. BOARD B(U)	1	NE-3280
76	A603M3560GP	P.C. BOARD B(U)	1	NE-3240
76	A603M3580GP	P.C. BOARD B(U)	1	NE-2180
76	A603M3A70EU	P.C. BOARD B(U)	1	NE-2140
77	A603Y3560GP	L.V.TRANSFORMER(U)	1	△
78	ANE6030Q50GN	INCANDESCENT LAMP	1	240V/25W
79	A60403030GP	OVEN LAMP SHEET	1	
80	A60403040AP	OVEN LAMP SHEET	1	
81	A605Q3030GP	PUSH SWITCH	1	
82	A605S3030GP	PC BOARD H(U)	1	
83	2M210-M1GL	MAGNETRON	4	NE-2180,NE-2140
83	2M244-M1GL	MAGNETRON	4	△ NE-3280,NE-3240
83	2M244-M1GL	MAGNETRON	4	△ NE-3280,NE-3240
83	2M244-M1GL	MAGNETRON	4	△ NE-3280,NE-3240
84	A60733030GP	OVEN LAMP COVER	1	
85	A63903310GP	H.V.CAPACITOR	4	△ NE-2180,NE-2140(0.82MF, AC2300V)
85	A63903330GP	H.V.CAPACITOR	4	△ NE-3280,NE-3240(1MF, AC2300V)
86	A61073030GP	PARTS BRACKET B	1	
87	ANE6142-F60	MICROSWITCH	2	△ NE-3280,NE-2180 V-15G-3C26(SECONDARY INTERLOCK SWITCH)
87	A61423030GP	MICROSWITCH	2	△ NE-3240,NE-2140 (A20G7-3C108) SECONDARY INTERLOCK SWITCH
88	A61424L0AG	MICROSWITCH	2	△ V-15G-3C26(PRIMARY INTERLOCK SWITCH)
88	A61424L0AG	MICROSWITCH	2	△ V-15G-3C26(PRIMARY INTERLOCK SWITCH)
89	A6144-3280	ANTENNA MOTOR	2	△ LOWER(2.5W)
89	A6144-3280	ANTENNA MOTOR	2	△ LOWER(2.5W)
90	A61446030AP	ANTENNA MOTOR	2	△ UPPER(2.5W)
91	A61454000AP	THERMAL CUTOUT	1	△ FOR OVEN
92	A61454050AP	THERMAL CUTOUT	2	△ FOR ANTENNA MOTOR
92	A61454050AP	THERMAL CUTOUT	2	△ FOR ANTENNA MOTOR
93	A61454210AP	THERMAL CUTOUT	4	△ FOR MAGNETRON
93	A61454210AP	THERMAL CUTOUT	4	△ FOR MAGNETRON
93	A61454210AP	THERMAL CUTOUT	4	△ FOR MAGNETRON

Ref. No.	Part No.	Part Name & Description	Pcs/Set	Remarks
93	A61454210AP	THERMAL CUTOOUT	4	△ FOR MAGNETRON
94	ANE61522QOBP	SOCKET	1	△
95	A61583030GP	DOOR SWITCH A	1	△ RIGHT (MONITOR SWITCH)
96	A61583050GP	DOOR SWITCH B	1	△ LEFT (MONITOR SWITCH)
97	A61703030GP	INSULATION SHEET B	1	
98	A6202-3280	DIODE, SI	4	
98	A6202-3280	DIODE, SI	4	
99	A62303580GP	FUSE	2	△ NE-3280 (20A)
99	A62303030EP	FUSE	1	△ NE-3240, NE-2140 (20A)
99	A62303A60BP	FUSE	1	△ NE-2180 (30A)
100	A62316010BP	FUSE HOLDER	6	NE-3280, NE-3240, NE-2140
100	A62316000GP	FUSE HOLDER	2	NE-2180
101	A62383030GP	SPACER	2	
101	A62383030GP	SPACER	2	
102	XYN5+C8BN	SCREW	2	NE-3280 (5X8) FOR NOISE FILTER
103	A64083040AP	WASHER	2	
103	A64083040AP	WASHER	2	
104	A65313030GP	SWITCH HOLDER	1	
105	ANE64086Q0AP	WASHER	1	
106	A65513030GP	H.V.T.MOUNTING	2	
106	A65513030GP	H.V.T.MOUNTING	2	
107	A65613030GP	BUZZER CASE	1	
108	A66623170GP	EARTH SPACER	1	
109	A65953170GP	FUSE B	1	△ NE-3280, NE-2180 (1.25A)
109	A65963030GP	FUSE B	1	△ NE-3240, NE-2140 (3A)
110	A66033030GP	OVEN LAMP BRACKET	1	
111	A66263040AP	THERMAL CUTOOUT MOUNT	2	
112	A692Y3560GP	NOISE FILTER (U)	1	△ NE-2140
112	A692Y3A40BP	NOISE FILTER (U)	1	△ NE-3280
112	A692Y3A60BP	NOISE FILTER (U)	1	△ NE-2180
112	A692Y3A50EU	NOISE FILTER (U)	1	△ NE-3240
113	XWC4BPN	WASHER		
113	XWC4BPN	WASHER		
114	A83613030GP	SWITCH SPACER		
115	A910A3A40BP	AC CORD W/OUT PLUG (U)	1	△ NE-3280
115	A910A3A50EU	AC CORD W/PLUG (U)	1	△ NE-3240
115	A910A3A60BP	AC CORD W/OUT PLUG (U)	1	△ NE-2180
115	A910A3560GP	AC CORD W/ PLUG (U)	1	△ NE-2140
116	XTC4+10FC	SCREW	1	4X10 (FOR ESCUTCHEON BASE)
117	XYN4+F18S	SCREW	4	4X18 (FOR DOOR HOOK B)
117	XYN4+F18S	SCREW	4	4X18 (FOR DOOR HOOK B)
118	XYN4+F12S	SCREW	4	4X12 (FOR DOOR SWITCH)
118	XYN4+F12S	SCREW	4	4X12 (FOR DOOR SWITCH)
119	ANE9080-730	CLIP (YELLOW)	2	NE-2180, NE-2140
119	ANE9080-730	CLIP (YELLOW)	3	NE-3280, NE-3240
119	ANE9080-730	CLIP (YELLOW)	2	NE-2180, NE-2140
119	ANE9080-730	CLIP (YELLOW)	2	NE-2180, NE-2140
119	ANE9080-730	CLIP (YELLOW)	2	NE-2180, NE-2140
120	ANE90828U0AP	CLIP (BLACK)	2	
120	ANE90828U0AP	CLIP (BLACK)	2	
121	ANE9082930AP	CLIP	8	
121	ANE9082930AP	CLIP	8	
121	ANE9082930AP	CLIP	8	
121	ANE9082930AP	CLIP	8	
121	ANE9082930AP	CLIP	8	
121	ANE9082930AP	CLIP	8	
121	ANE9082930AP	CLIP	8	
122	A98363030GP	CASE	1	
122	A98363030GP	CASE	1	
123	XNG4EVS	NUT	1	NE-3280 (FOR CORD EARTH)
124	XST4+6VS	SCREW	8	4X6 (FOR ANTENNA)
124	XST4+6VS	SCREW	8	4X6 (FOR ANTENNA)
124	XST4+6VS	SCREW	8	4X6 (FOR ANTENNA)
124	XST4+6VS	SCREW	8	4X6 (FOR ANTENNA)
124	XST4+6VS	SCREW	8	4X6 (FOR ANTENNA)
124	XST4+6VS	SCREW	8	4X6 (FOR ANTENNA)
125	XTC4+10BC	SCREW	9	4X10 (FOR CABINET BODY LAMP COVER SASH)
125	XTC4+10BC	SCREW	9	4X10 (FOR CABINET BODY LAMP COVER SASH)
125	XTC4+10BC	SCREW	9	4X10 (FOR CABINET BODY LAMP COVER SASH)
125	XTC4+10BC	SCREW	9	4X10 (FOR CABINET BODY LAMP COVER SASH)
125	XTC4+10BC	SCREW	9	4X10 (FOR CABINET BODY LAMP COVER SASH)
125	XTC4+10BC	SCREW	9	4X10 (FOR CABINET BODY LAMP COVER SASH)
125	XTC4+10BC	SCREW	9	4X10 (FOR CABINET BODY LAMP COVER SASH)
126	XTC4+12BK	SCREW	3	4X12 (FOR BASE)
127	XTEANE5+10B	SCREW	4	5X10 (FOR ROLLER BRACKET)

Ref. No.	Part No.	Part Name & Description	Pcs/Set	Remarks
127	XTEANE5+10B	SCREW	4	5X10 (FOR ROLLER BRACKET)
128	XTWANE4+10RU	SCREW	8	4X10 (FOR LOWER MAGNETRON)
128	XTWANE4+10RU	SCREW	8	4X10 (FOR LOWER MAGNETRON)
128	XTWANE4+10RU	SCREW	8	4X10 (FOR LOWER MAGNETRON)
128	XTWANE4+10RU	SCREW	8	4X10 (FOR LOWER MAGNETRON)
129	XTWA4+12CFN	SCREW	1	NE-3280 (FOR CORD EARTH)
130	XWA4BV	WASHER	1	NE-3280 (FOR CORD EARTH)
131	XWA5BV	WASHER	1	NE-3280 (FOR CORD EARTH)
132	ANE0961000ZL	CUSHION RUBBER D	2	
132	ANE0961000ZL	CUSHION RUBBER D	2	
133	ANE0963000AS	CUSHION RUBBER D	2	
134	A10493030GP	CUSHION RUBBER	2	
134	A10493030GP	CUSHION RUBBER	2	
135	A18593560GP	SHELF SUPPORT	2	
136	A91433040AP	CLIP A	3	NE-2180,NE-2140
136	A91433040AP	CLIP A	1	NE-3280,NE-3240
136	A91433040AP	CLIP A	3	NE-2180,NE-2140
137	XNW5EFN	NUT	2	FOR SHELF SUPPRT
137	XNW5EFN	NUT	2	FOR SHELF SUPPRT
138	XWG5BV	WASHER	2	FOR SHELF SUPPRT
138	XWG5BV	WASHER	2	FOR SHELF SUPPRT
139	XWNANE65GV	SPACER	1	FOR BACK PANEL COVER C
140	XYE6+F20F	SCREW	1	6X20 (FOR BACK PANEL COVER C)
141	XTT4+8E	SCREW	1	4X8 (FOR BACK PANEL COVER C)
142	XYEANE5+C16T	SCREW	8	5X16 (FOR UPPER MAGNETRON)
142	XYEANE5+C16T	SCREW	8	5X16 (FOR UPPER MAGNETRON)
142	XYEANE5+C16T	SCREW	8	5X16 (FOR UPPER MAGNETRON)
142	XYEANE5+C16T	SCREW	8	5X16 (FOR UPPER MAGNETRON)
143	A30183030GP	DOOR KEY A	2	
143	A30183030GP	DOOR KEY A	2	
144	A80163060GP	CUSHION SPACER	1	
145	A02433560GP	TERMINAL LABEL	1	NE-3240,NE-2140
146	A608E3560GP	P.C. BOARD Q	1	NE-3280
147	ANE0962000ZE	CUSHION RUBBER D	2	
148	XTWANE3+8EX	SCREW	4	3X8 (FOR FOOT)
148	XTWANE3+8EX	SCREW	4	3X8 (FOR FOOT)
148	XTWANE3+8EX	SCREW	4	3X8 (FOR FOOT)
148	XTWANE3+8EX	SCREW	4	3X8 (FOR FOOT)
148	XTWANE3+8EX	SCREW	4	3X8 (FOR FOOT)
148	XTWANE3+8EX	SCREW	4	3X8 (FOR FOOT)
149	ANE6004P60GN	POWER RELAY	1	△ NE-3240,NE-2140
150	A60823030GP	POWER RELAY BRACKET	1	NE-3240,NE-2140
151	ANE6082P10GN	POWER RELAY BRACKET	1	NE-3240,NE-2140

NOTE: Please order name label together.

20 DOOR ASSEMBLE

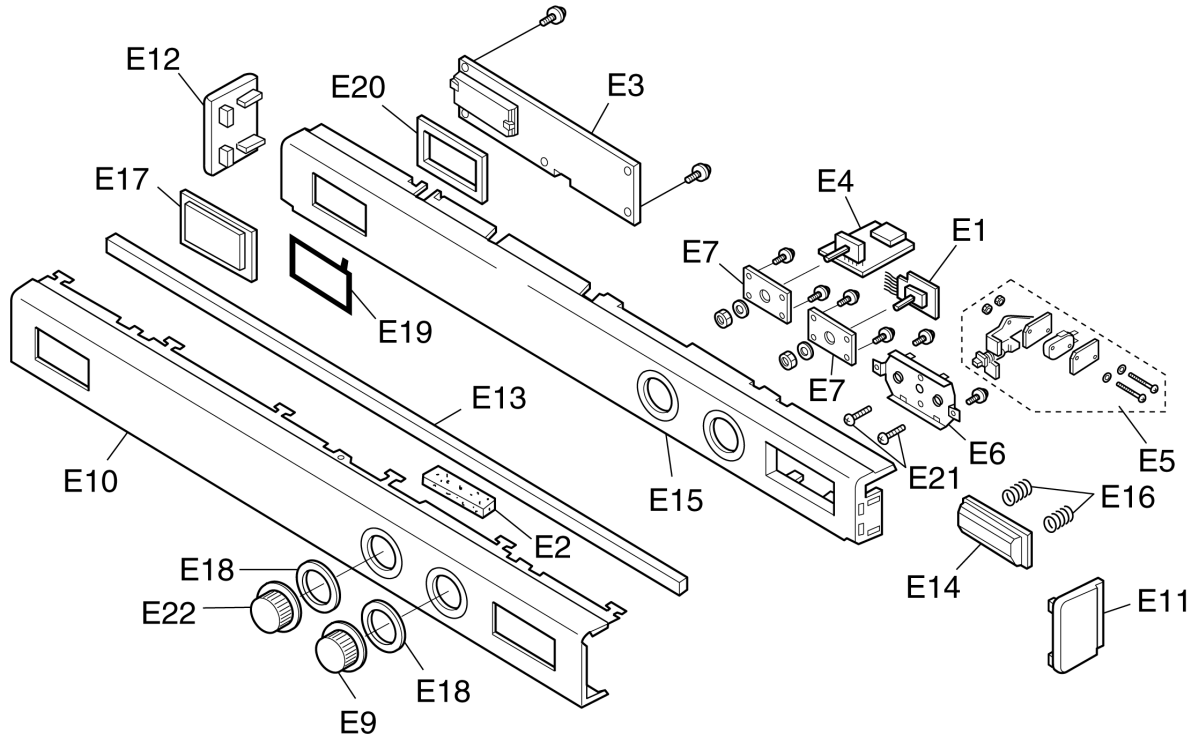


(S-3A4 BPQ)

Ref. No.	Part No.	Part Name & Description	Pcs/Set	Remarks
D1	A30033030GP	DOOR FRAME	1	
D2	A30043030GP	DOOR ARM	2	
D2	A30043030GP	DOOR ARM	2	
D3	A301A3030GP	DOOR A	1	
D4	A302K3030GP	DOOR E(U)	1	
D5	ANE3009P00RN	DOOR SPRING	2	
D5	ANE3009P00RN	DOOR SPRING	2	
D6	ANE3036P00RN	DOOR ARM PIN	2	
D6	ANE3036P00RN	DOOR ARM PIN	2	
D7	A30703030GP	HANDLE PIECE A	1	
D8	A31343030GP	HANDLE PIECE B	1	
D9	A31463030GP	DOOR SCREEN B	1	
D10	A31473030GP	HANDLE SHEET C	1	
D11	XTC4+10BC	SCREW	3	4X10
D11	XTC4+10BC	SCREW	3	4X10
D11	XTC4+10BC	SCREW	3	4X10
D12	XYEANE4+C16T	SCREW	4	4X16
D12	XYEANE4+C16T	SCREW	4	4X16
D13	A30853030GP	DOOR C	1	

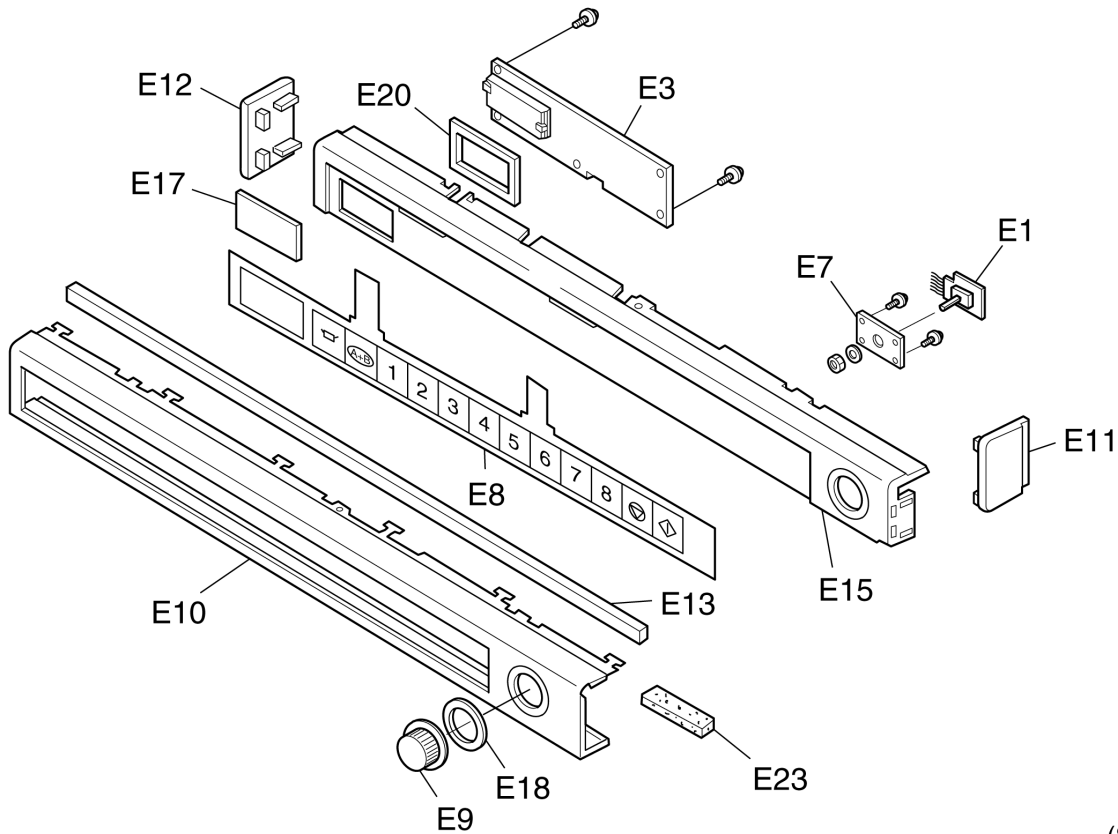
21 ESCUTCHEON BASE ASSEMBLY

NE-3240, NE-2140



(S-3A4 BPQ)

NE-3280, NE-2180

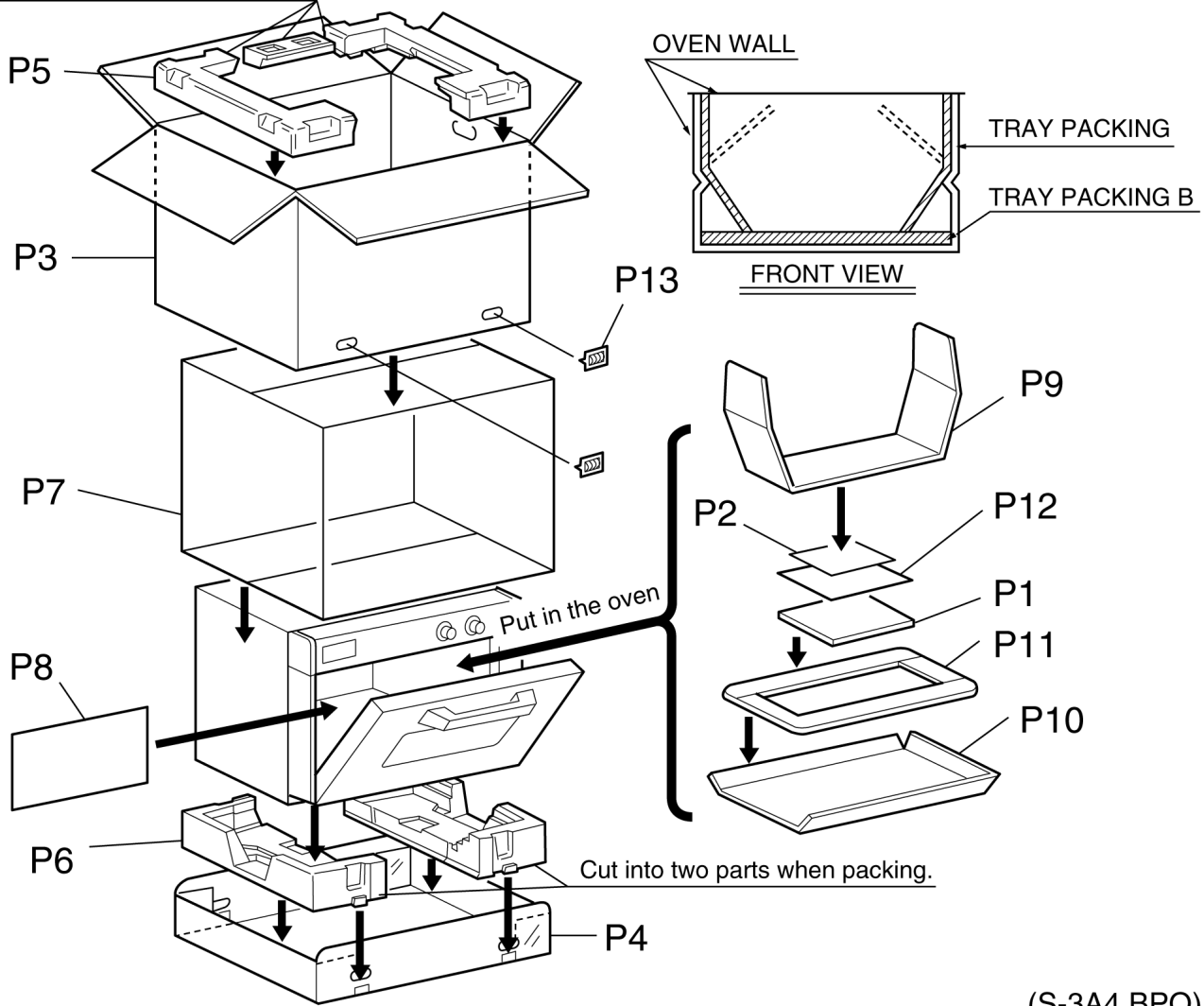


(S-3A4 BPQ)

Ref. No.	Part No.	Part Name & Description	Pcs/Set	Remarks
E1	A03613560GP	TIMER	1	
E1	A03613560GP	TIMER	1	
E2	ANE1062-8U0	CUSHION RUBBER B	1	NE-3240,NE-2140
E3	A603L3560GP	D.P.CIRCUIT (U)	1	△ NE-3240 RTL(W/COMPONENT)
E3	A603L3590GP	D.P.CIRCUIT (U)	1	△ NE-3280,NE-2180 RTL(W/COMPONENT)
E3	A603L3A70EU	D.P.CIRCUIT (U)	1	△ NE-2140 RTL(W/COMPONENT)
E4	A608C2560GP	POWER SELECT SWITCH	1	NE-3240,NE-2140
E5	ANE610EP00RN	START SWITCH	1	NE-3240,NE-2140
E6	A61623030GP	START SWITCH BRACKET	1	NE-3240,NE-2140
E7	A63433030GP	TIMER BRACKET	2	NE-3240,NE-2140
E7	A63433030GP	TIMER BRACKET	1	NE-3280,NE-2180
E7	A63433030GP	TIMER BRACKET	2	NE-3240,NE-2140
E8	A64793590GP	MEMBRANE SWITCH	1	△ NE-3280,NE-2180
E9	A800D3060GP	TIMER KNOB	1	
E9	A800D3060GP	TIMER KNOB	1	
E10	A80013030GP	ESCUTCHEON A	1	NE-3240,NE-2140
E10	A80013060GP	ESCUTCHEON A	1	NE-3280,NE-2180
E11	A80023030GP	ESCUTCHEON B	1	
E11	A80023030GP	ESCUTCHEON B	1	
E12	A80063030GP	ESCUTCHEON D	1	
E12	A80063030GP	ESCUTCHEON D	1	
E13	A80163030GP	ESCUTCHEON SPACER	1	
E13	A80163030GP	ESCUTCHEON SPACER	1	
E14	ANE8024P00RN	COOK BUTTON	1	NE-3240,NE-2140
E15	A80343030GP	ESCUTCHEON BASE	1	NE-3240,NE-2140
E15	A80343060GP	ESCUTCHEON BASE	1	NE-3280,NE-2180
E16	ANE8037P00RN	COOK BUTTON SPRING	2	NE-3240,NE-2140
E17	A81263030GP	SMOKE PANEL	1	NE-3240,NE-2140
E17	A81263060GP	SMOKE PANEL	1	NE-3280,NE-2180
E18	A82873030GP	SPACER A	2	NE-3240,NE-2140
E18	A82873030GP	SPACER A	1	NE-3280,NE-2180
E18	A82873030GP	SPACER A	2	NE-3240,NE-2140
E19	A83373560GP	ESCUTCHEON SHEET	1	NE-3240,NE-2140
E20	A83423030GP	CUSHION RUBBER B	1	NE-3240,NE-2140
E20	A83423060GP	CUSHION RUBBER B	1	NE-3280,NE-2180
E21	XYN4+C8S	SCREW	2	NE-3240,NE-2140 (4X8)
E22	A800D3030GP	TIMER KNOB	1	NE-3240,NE-2140
E23	ANE0911000AB	CUSHION RUBBER B	1	NE-3280,NE-2180

22 PACKING AND ACCESSORIES

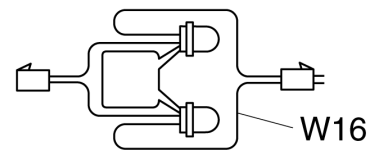
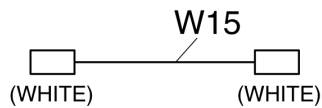
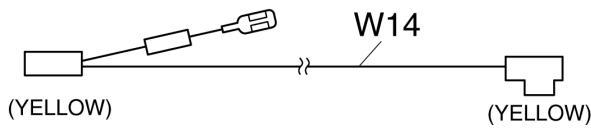
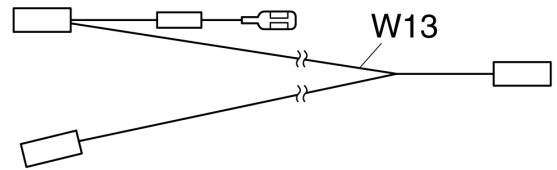
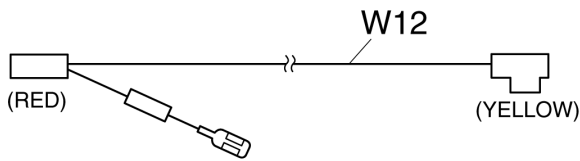
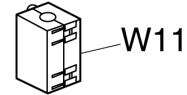
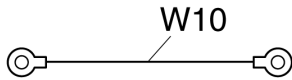
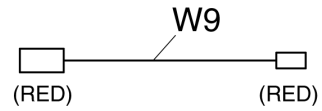
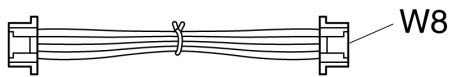
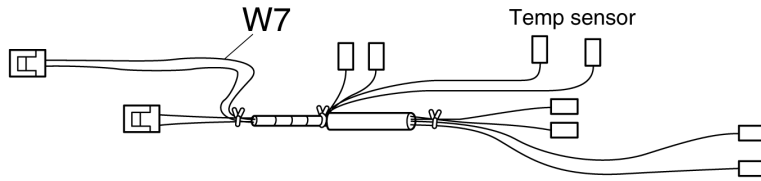
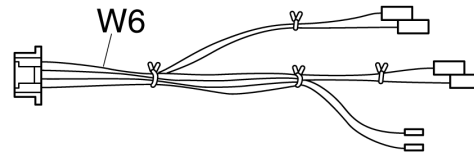
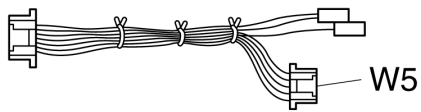
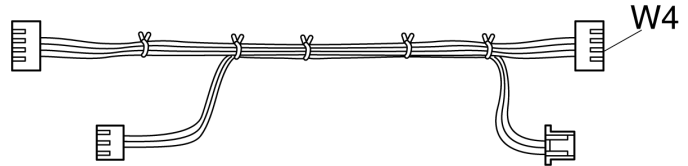
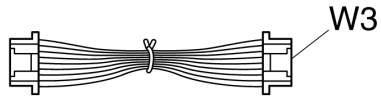
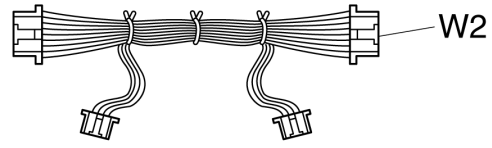
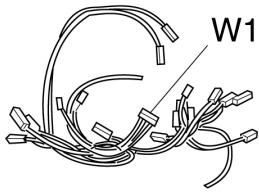
Cut into three parts when packing.



(S-3A4 BPQ)

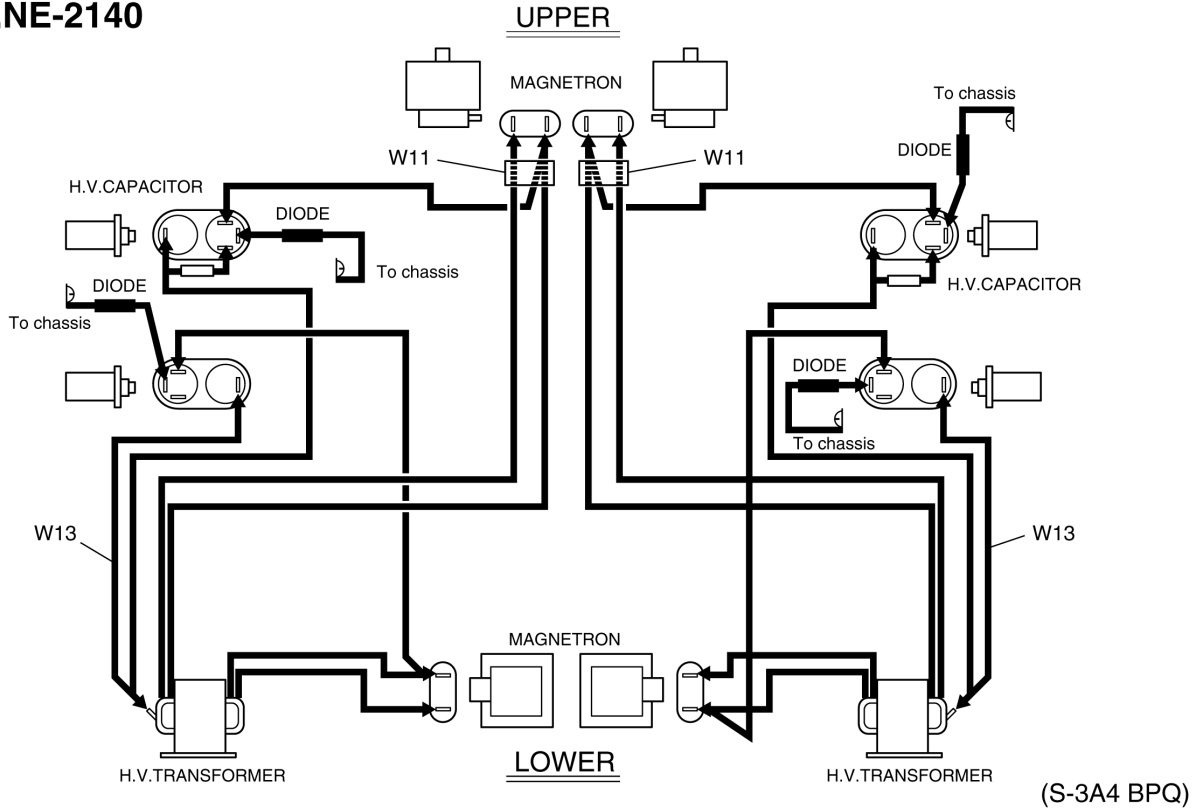
Ref. No.	Part No.	Part Name & Description	Pcs/Set	Remarks
P1	A00033A40BP	INSTRUCTION BOOK	1	NE-3280, NE-2180
P1	A00033A50EU	INSTRUCTION BOOK	1	NE-3240, NE-2140
P2	A01723560BP	CAUTION LABEL	1	
P3	A01023A60BP	PACKING CASE, PAPER	1	NE-2180
P3	A01023A70EU	PACKING CASE, PAPER	1	NE-2140
P3	A01023A40BP	PACKING CASE, PAPER	1	NE-3280
P3	A01023A50EU	PACKING CASE, PAPER	1	NE-3240
P4	A01033030GP	BOTTOM CASE	1	
P5	A01043030GP	UPPER FILLER	1	
P6	A01053030GP	LOWER FILLER	1	
P7	A01063040AP	VINYL COVER	1	
P8	A01073030GP	DOOR SHEET	1	
P9	A01083030GP	TRAY PACKING	1	
P10	A01173030GP	TRAY PACKING B	1	
P11	A012D3050GP	SHELF B	1	
P12	A04203590BP	OPERATING GUIDE	1	NE-3280, NE-2180
P13	HP-601W	FASTENER	4	

23 WIRING MATERIAL

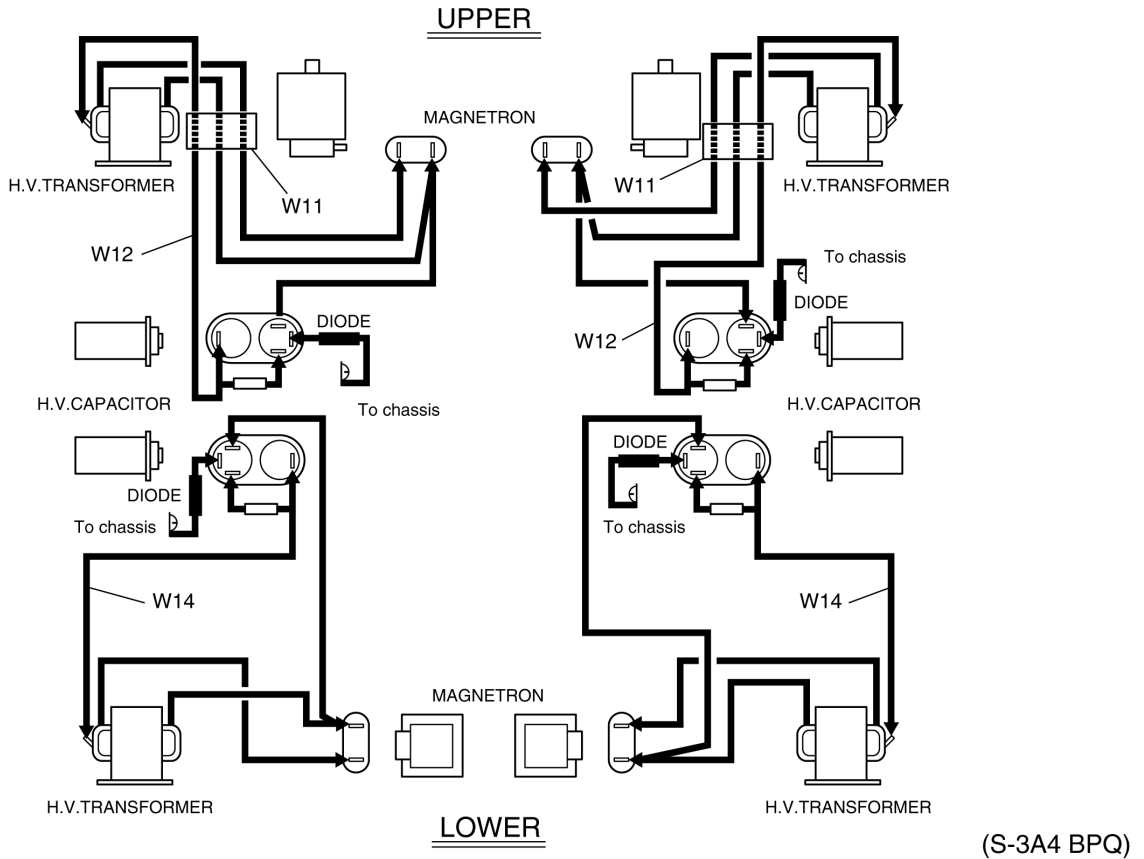


(S-3A4 BPQ)

NE-2180,NE-2140



NE-3280,NE-3240

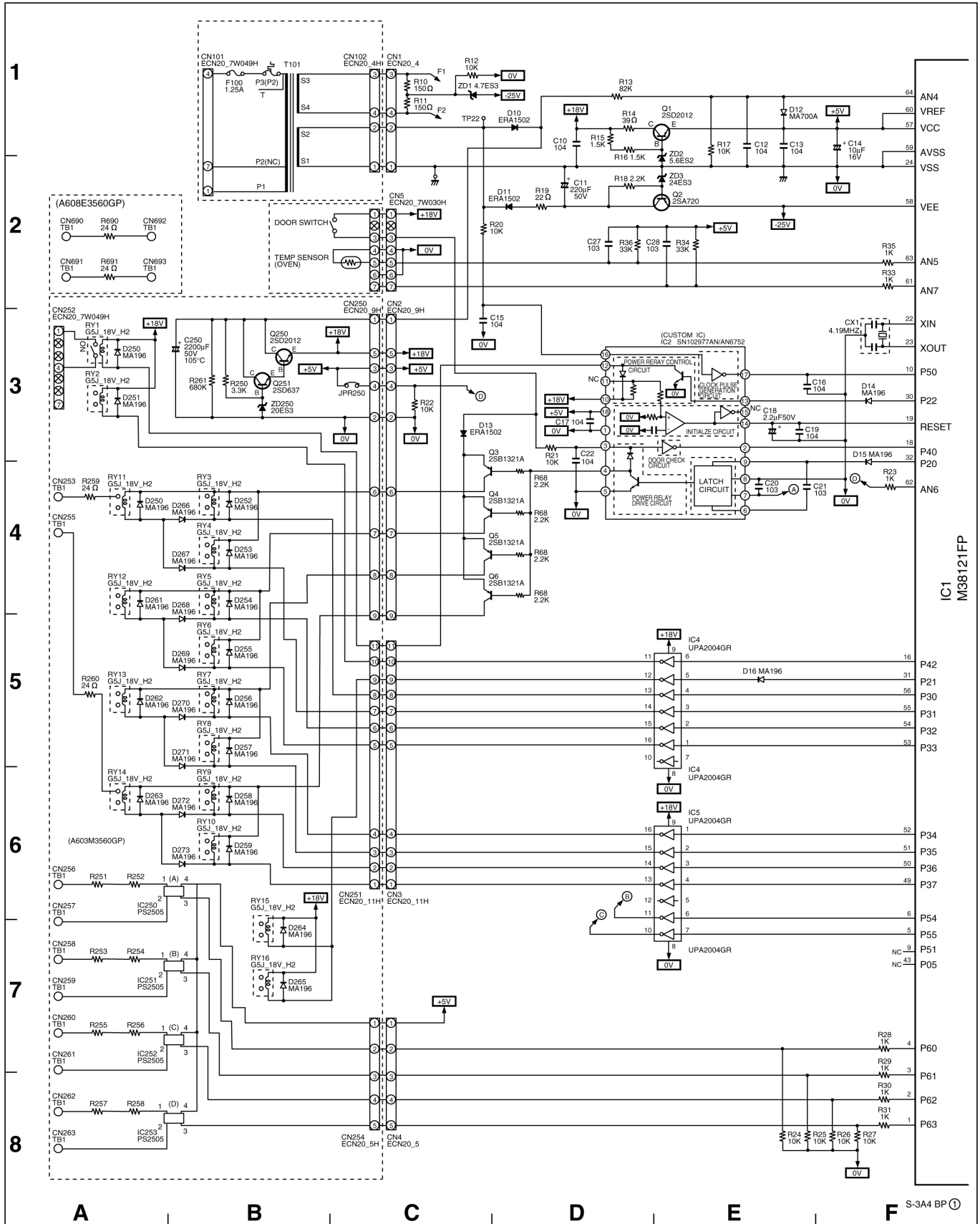


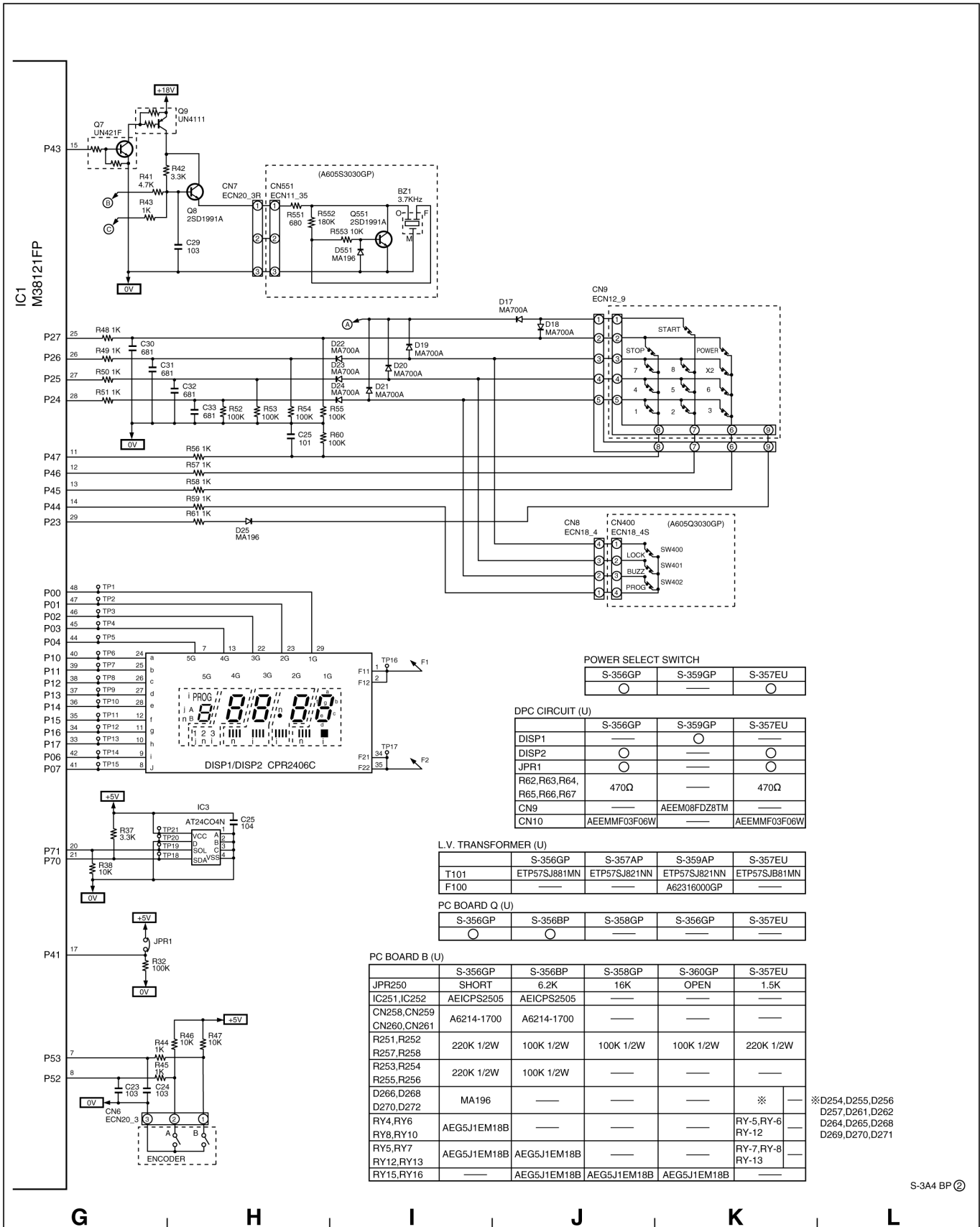
Ref. No.	Part No.	Part Name & Description	Pcs/Set	Remarks
W1	A030A3560BP	LEAD WIRE HARNESS	1	NE-3280
W1	A030A3580GP	LEAD WIRE HARNESS	1	NE-2180
W1	A030A3A50EU	LEAD WIRE HARNESS	1	NE-3240
W1	A030A3A70EU	LEAD WIRE HARNESS	1	NE-2140
W2	A03603560GP	LEAD WIRE	1	
W3	A03623560GP	LEAD WIRE	1	
W4	A03633560GP	LEAD WIRE	1	
W5	A03643560GP	LEAD WIRE	1	NE-3240,NE-2140
W6	A03653560GP	LEAD WIRE	1	
W7	A03693560GP	LEAD WIRE	1	
W8	A03703560GP	LEAD WIRE	1	
W9	A03723A60BP	LEAD WIRE	1	NE-2180
W10	A03813030GP	LEAD WIRE	2	NE-3240,NE-2140
W11	A50966520UP	FERRITE CORE	2	NE-2140
W11	A50966520UP	FERRITE CORE	4	NE-3280,NE-3240,NE-2180
W12	A606W3560GP	PROTECTOR DIODE B	2	NE-3280,NE-3240
W13	A606V3580GP	PROTECTOR DIODE	2	NE-2180,NE-2140
W14	A606V3560GP	PROTECTOR DIODE	2	NE-3280,NE-3240
W15	A03733560GP	LEAD WIRE	1	NE-3240,NE-2140
W16	A03753030GP	NOISE KILLER	1	NE-3240

Ref. No.	Part No.	Part Name & Description	Pcs/Ser	Remarks
REF NO.76 P.C.BOARD B (U)				
	AEGHPUG3640		1	△
	XYN3+F8S6		1	3X8
	2SD2012		1	
	ERDS2TJ163T		1	NE-2180,NE-2140 (16KΩ,1/4W,5%)
C250	ECA1HHG222E		1	2200MF/50V
CN250	AEEMMD1FF09W		1	9PIN
CN251	AEEMMD7FF11N		1	11PIN
CN252	AEEMMD04907W		1	7PIN
CN254	AEEMMD01F05W		1	5PIN
D250, D251, D252, D253, D254, D255, D256, D257, D258, D259, D260, D261, D262, D263, D264, D265, D267, D269, D271, D273	MA196 - (TA5)	DIODE SI	20	
IC250, IC251, IC252, IC253	AEICPS2505	IC	4	NE-3280
IC250, IC253	AEICPS2505	IC	2	NE-2180
JPR250	ERDS2TJ622T	CARBON FILM RESISTOR	1	NE-3280 (6.2KΩ,1/4W,5%)
JPR250	ERDS2TJ163T	CARBON FILM RESISTOR	1	NE-2180 (16KΩ,1/4W,5%)
Q251	2SD637-PQRS	TRANSISTOR SI	1	
R250	ERDS2TJ332T	CARBON FILM RESISTOR	1	3.3KΩ,1/4W,5%
R251, R252, R253, R254, R255, R256, R257, R258	ERDS1TJ104T	CARBON FILM RESISTOR	8	NE-3280
R251, R252, R257, R258	ERDS1TJ104T	CARBON FILM RESISTOR	4	NE-2180,NE-2140 (100KΩ,1/2W,5%)
R259, R260	ERF15ZXJ240	RESISTOR	2	24Ω,15W,5%
R261	ERDS2TJ684T	CARBON FILM RESISTOR	1	680KΩ,1/4W,5%
RY1	AEBG5B18P-1	POWER RELAY	1	△ G5B-1-ER18 (18V)
RY2, RY3, RY9, RY11, RY14, RY16	AEG5J1EM18B	POWER RELAY	7	△ NE-2180,NE-2140 (G5J-1-TP-M-ER18)
RY2, RY3, RY5, RY7, RY9, RY11, RY12, RY13, RY14, RY15, RY16	AEG5J1EM18B	POWER RELAY	11	△ NE-3280 (G5J-1-TP-M-ER18)
	AEG5J1EM18B	POWER RELAY	13	△ NE-3240
REF NO.82 P.C.BOARD H(U)				
BZ	EFBRL37C20	BUZZER	1	3.7KHZ
CN551	AEEMMB00703R	CONNECTOR	1	3PIN
D551	MA196 - (TA5)	DIODE, SI	1	
Q551	2SD639-PQRS	TRANSISTOR SI	1	
R551	ERDS2TJ681T	CARBON FILM RESISTOR	1	680Ω,1/4W,5%

Ref. No.	Part No.	Part Name & Description	Pcs/Ser	Remarks
CN551	ERDS2TJ184T	CARBON FILM RESISTOR	1	180K Ω , 1/4W, 5%
CN551	ERDS2TJ103T	CARBON FILM RESISTOR	1	10K Ω , 1/4W, 5%
REF NO.112 NOISE FILTER (U)				
C1	ECQU2A224MNA	POLYESTER CAOACITOR	1	NE-3280 (0.22MF 250V)
C1,C6	ECQU2A224MNA	POLYESTER CAOACITOR	2	NE-3240,NE-2180,NE-2140 (0.22MF 250V)
C2,C3	ECKMNA472ME	CERAMIC CAPACITOR	2	Δ NE-2180 (0.0047MF 250V)
C2,C3	A6169A20GN	CAPACITOR	2	NE-3280 (0.022MF 250V)
CN1,CN3	A61663560BP	TERMINAL BOARD	2	NE-3280
CN9	AEEMMD00703W	CONNECTOR	1	3PIN
D1	ERZC10DK621F	VARISTOR	1	
D2,D3	ERZC10DK112R	VARISTOR	2	
F1,F2	A62316010BP	FUSE HOLDER	4	
F1,F2	A6116-1740	TERMINAL BOARD	2	NE-3280
F3	A62316000GP	FUSE HOLDER	2	
L1	A621A3A50EU	FILTER COIL	1	NE-3240
L1	A621A3560GP	FILTER COIL	1	NE-3280

24 DIGITAL PROGRAMMER CIRCUIT





25 DIGITAL PROGRAMMER CIRCUIT

PARTS LIST

Ref. No.	Part No.	Description	Pcs/set	Remarks
C10, 12, 13, 15, 16, 17, 19, 22, 26, 29	AECF50F104Z	CERAMIC CAPACITOR	10	0.1MF/50V
C11	ECA1HM221B	ELECTROLYTIC CAPACITOR, AL	1	220MF/50V
C14	ECEA1CKA100B	ELECTROLYTIC CAPACITOR, AL	1	10MF/16V
C18	ECEA1HKA2R2B	ELECTROLYTIC CAPACITOR, AL	1	2.2MF/50V
C20, C21, C23, C24, C27, C28	ECBT1E103ZF5	CERAMIC CAPACITOR	6	0.01MF/25V
C25	ECBT1H101KB5	CERAMIC CAPACITOR	1	0.0001MF/50V
C30, C31, C32, C33	ECBT1H681KB5	CERAMIC CAPACITOR	4	680PF
CN1	AEEMMF00F04W	CONNECTOR	1	4PIN
CN2	AEEMMD1FF09W	CONNECTOR	1	9PIN
CN3	AEEMMD7FF11N	CONNECTOR	1	11PIN
CN4	AEEMMF01F05W	CONNECTOR	1	5PIN
CN5	AEEMMD07D07W	CONNECTOR	1	7PIN
CN6	AEEMMF00703W	CONNECTOR	1	3PIN
CN7	AEEMMF00703R	CONNECTOR	1	3PIN RED
CN8	AEEMB04BP0K	CONNECTOR	1	4PIN
CN9	AEEM08FDZ0TN	CONNECTOR	1	
CX1	EFOGC4194T4	RESONATOR	1	4.19MHZ
D10, D11, D13	AEDNERA1502	DIODE, SI	3	1.0A
D12, D18, D22, D23, D24	MA700A- (TA)	DIODE, SI	5	MA700A 0.03A
D14, D15, D16, D17, D19, D20, D21, D25	MA196- (TA5)	DIODE, SI	8	MA196 0.1A
DISP	A64563030GP	FLUORESCENT TUBE	1	CPR2406C
SPACER	A82843030GP	SPACER CUSHION	2	
IC1	AEIC38121472	IC	1	M38121
IC2	AEIC102977AN	IC	1	SN102977AN/AN6752
IC3	AEICAT24C04N	IC	1	AT24C04N
C4, C5	AEICU2004GR	IC	2	A2004G
Q1	2SD2012	TRANSISTOR, SI, 2W	1	3MHZ
Q2	2SA720PRTA	TRANSISTOR, SI, 400MW	1	200MHZ
Q3, Q4, Q5, Q6	2SB1321A	TRANSISTOR, SI, 600MW	4	200MHz
Q7	UN421F	TRANSISTOR, SI, 300MW	2	
Q8	2SD1991A	TRANSISTOR, SI, 400MW	2	150MHz
Q9	UN4111- (TA)	TRANSISTOR, SI, 300MW	1	
R10, R11	ERDS2TJ151T	CARBON FILM RESISTOR	2	150 Ω , 1/4W, 5%
R12, 17, 20, 21, 22, 24, 25, 26, 27, 38, 39, 40, 46, 47	ERDS2TJ103T	CARBON FILM RESISTOR	14	10K Ω , 1/4W, 5%
R13	ERDS2TJ823T	CARBON FILM RESISTOR	1	82K Ω , 1/4W, 5%
R14	ERDS2TJ390T	CARBON FILM RESISTOR	1	39 Ω , 1/4W, 5%
R15, 16	ERDS2TJ152T	CARBON FILM RESISTOR	2	1.5K Ω , 1/4W, 5%
R18, R68X4	ERDS2TJ222T	CARBON FILM RESISTOR	5	2.2K Ω , 1/4W, 5%
R19	ERDS2TJ220T	CARBON FILM RESISTOR	1	22 Ω , 1/4W, 5%
R23, R28, R29, R33, R35, R45, R48, R51, R56, R57, R58, R59, R61	ERDS2TJ102T	CARBON FILM RESISTOR	19	1.0K Ω , 1/4W, 5%
R32, R52, R53, R54, R55, R60	ERDS2TJ104T	CARBON FILM RESISTOR	6	100K Ω , 1/4W, 5%
R34, R36	ERDS2TJ333T	CARBON FILM RESISTOR	2	33K Ω , 1/4W, 5%
R37, R42	ERDS2TJ332T	CARBON FILM RESISTOR	2	3.3K Ω , 1/4W, 5%
R41	ERDS2TJ472T	CARBON FILM RESISTOR	1	4.7K Ω , 1/4W, 5%
ZD1	AEDZ4R7ES3T1	ZENER DIODE, SI	1	RD4.7ES3
ZD2	AEDZ5R6ES2T1	ZENER DIODE, SI	1	RD5.6ES2
ZD3	AEDZ24ES3T1	ZENER DIODE, SI	1	RD24ES3