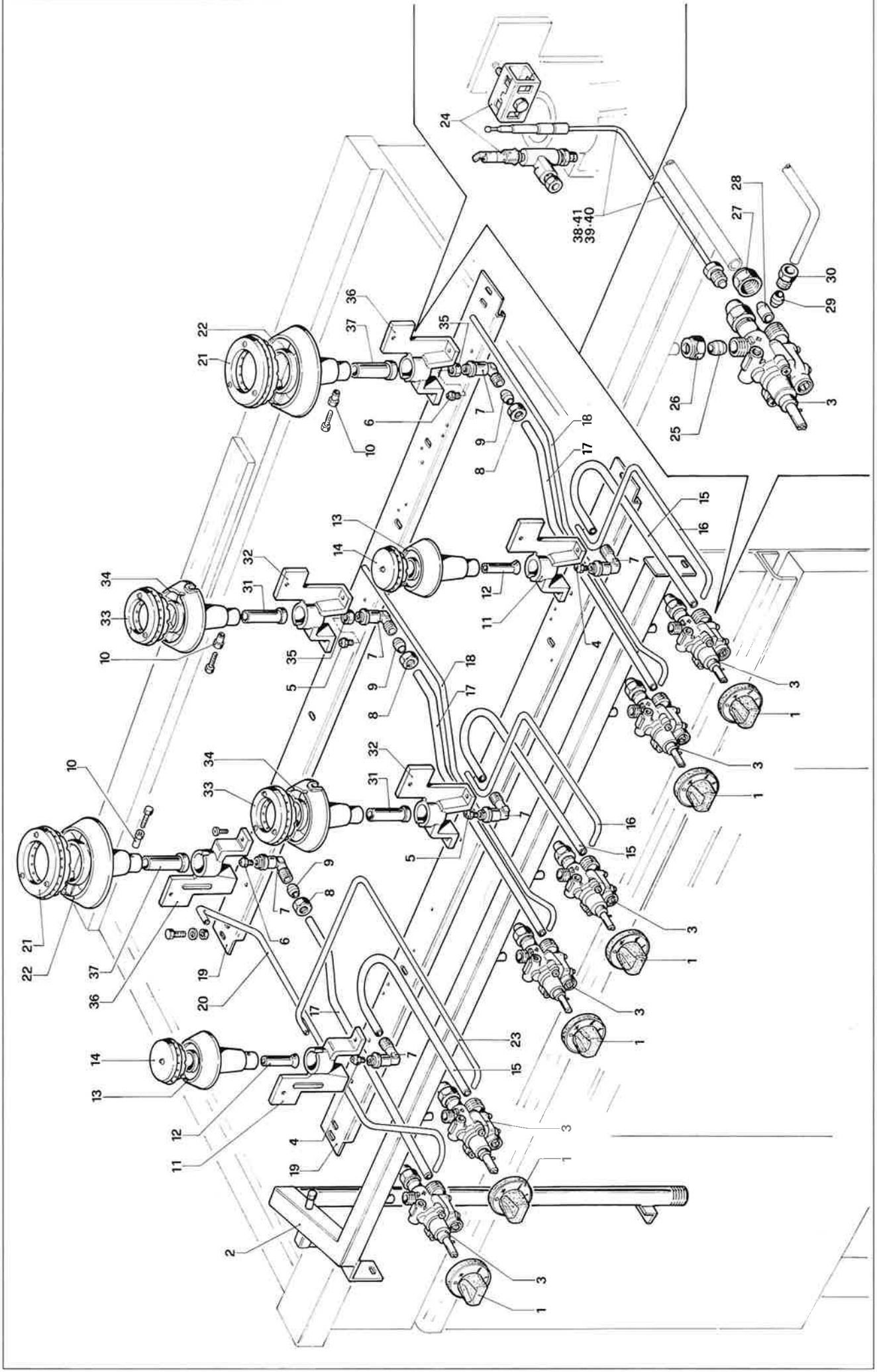
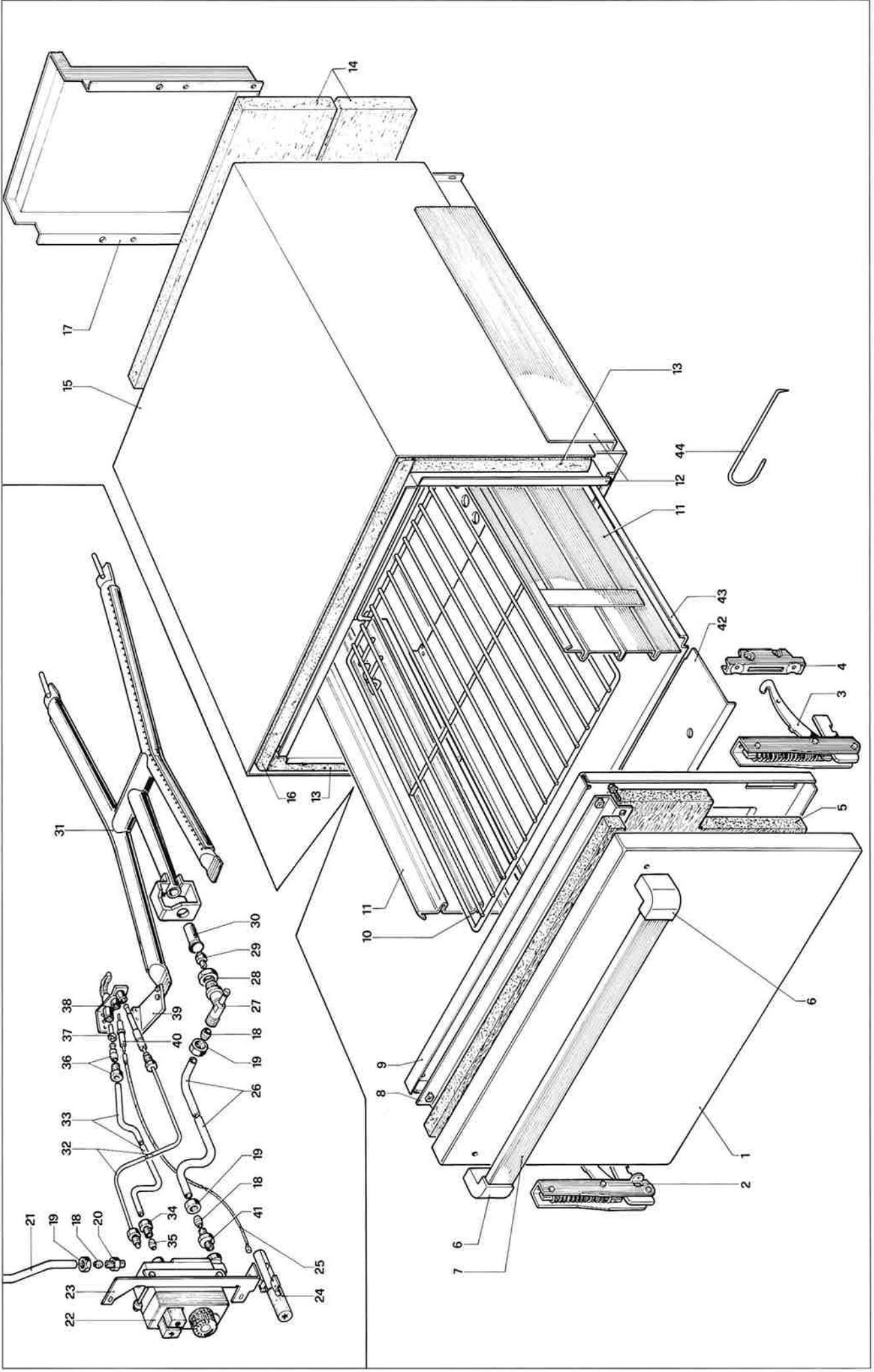


	Codice	Denominazione	Denomination	Denomination	C6FA
<b>1</b>	RTCU900029	<b>Terminale maniglia</b>	Términal de la poignée	<i>Handle terminal</i>	●
<b>2</b>	PACU700105	<b>Maniglia porta armadio</b>	Poignée porte du placard	<i>Cupboard door handle</i>	●
<b>3</b>	RTBF800021	<b>Gommino porta</b>	Bouchon porte	<i>Door rubber cup</i>	●
<b>4</b>	PACU900577	<b>Porta armadio</b>	Porte du placard	<i>Cupboard door</i>	●
<b>5</b>	PACU900573	<b>Controporta armadio</b>	Contre porte du placard	<i>Counter door</i>	●
<b>6</b>	PABF900104	<b>Cerniera inferiore porta</b>	Charnière inférieure porte	<i>Door lower hinge</i>	●
<b>7</b>	RTCU700051	<b>Bussola porta</b>	Douille porte	<i>Door bush</i>	●
<b>8</b>	GACU800037	<b>Cerniera superiore destra</b>	Charnière supérieure droite	<i>Right upper hinge</i>	●
<b>9</b>	PACU700194	<b>Piastrina fissaggio cerniera</b>	Egierre pour fixer la charnière	<i>Bracket to fix hinge</i>	●
<b>10</b>	PACU900520	<b>Pannello comandi (forno gas)</b>	Panneau de contrôle (four gaz)	<i>Control panel (gas oven)</i>	●
<b>10</b>	PACU900519	<b>Pannello comandi (forno elettrico)</b>	Panneau de contrôle (four électrique)	<i>Control panel (electric oven)</i>	●
<b>11</b>	PACU900575	<b>Pannello inferiore</b>	Panneau inférieur	<i>Lower panel</i>	●
<b>12</b>	PACU900494	<b>Maniglia raccogliocce destro</b>	Poignée pour ramasse gouttes droite	<i>Right collector handle</i>	●
<b>13</b>	PACU900143	<b>Raccogliocce destro piccolo</b>	Ramasse gouttes droite	<i>Right drop collector</i>	●
<b>14</b>	GACU900021	<b>Basamento</b>	Soubassement	<i>Base</i>	●
<b>15</b>	RTCU900077	<b>Piedino</b>	Pied	<i>Foot</i>	●
<b>16</b>	PACU900576	<b>Parete armadio</b>	Paroi du l'armoire	<i>Cupboard frame</i>	●
<b>17</b>	PACU900146	<b>Fianco destro</b>	Côte droite	<i>Right side</i>	●
<b>18</b>	PACU900073	<b>Traversa portabacinella centrale</b>	Croisillon porte bassin droite	<i>Right cross bar support for collector</i>	●
<b>19</b>	RTCU800097	<b>Guarnizione porta forno</b>	Garniture porte du four	<i>Oven door gasket</i>	●
<b>20</b>	RTBF800016	<b>Attacco magnetico</b>	Calamite	<i>Magnet</i>	●
<b>21</b>	GACU900190	<b>Facciata</b>	Devanture	<i>Face</i>	●
<b>22</b>	PACU900495	<b>Maniglia raccogliocce sinistro</b>	Poignée pour bassin gauche	<i>Left collector handle</i>	●
<b>23</b>	PACU900142	<b>Raccogliocce sinistro</b>	Ramasse gouttes gauche	<i>Left drops collector</i>	●
<b>24</b>	PACU900511	<b>Cruscotto</b>	Panneau de contrôle	<i>Dash board</i>	●
<b>25</b>	PACU900072	<b>Traversa portabacinella sinistra</b>	Croisillon porte bassin gauche	<i>Left cross bar support for collector</i>	●
<b>26</b>	GACU900169	<b>Corrimano</b>	Main courante	<i>Handrail</i>	●
<b>27</b>	PACU900147	<b>Fianco sinistro</b>	Côte gauche	<i>Left side</i>	●
<b>28</b>	GACU900130	<b>Griglia camino</b>	Grille pour la cheminée	<i>Chimney grate</i>	●
<b>29</b>	RTCU900055	<b>Griglia di riduzione</b>	Grille de reduction	<i>Reduction grate</i>	●
<b>30</b>	RTCU900041	<b>Piastra radiante</b>	Plaque radiante lisse	<i>Smooth radiating plate</i>	●
<b>31</b>	PACU900402	<b>Placca laterale</b>	Placca latéral	<i>Lateral plate</i>	●
<b>32</b>	RTCU900044	<b>Griglia di placca</b>	Grille de plaque	<i>Plate grate</i>	●
<b>33</b>	PACU900218	<b>Placca centrale</b>	Plaque centrale	<i>Central plate</i>	●
<b>34</b>	PACU900135	<b>Posteriore inox</b>	Panneau posterieur inox	<i>Inox back side</i>	●
<b>35</b>	PACU900071	<b>Traversa portabacinella destra</b>	Croisillon porte bassin droite	<i>Right cross bar support for collector</i>	●
<b>36</b>	PACU900090	<b>Schienale interno</b>	Panneau postérieur intérieur	<i>Internal back panel</i>	●
<b>37</b>	MPLAN40N00	<b>Lana s/clima</b>	Laine s/clima	<i>S/clima wool</i>	●







	Codice	Denominazione	Denomination	Denomination	C4F	C6F	C62F	C6FA	C8F
1	PACU900001	Porta forno	Porte du four	Oven door	●	●	●	●	●
2	RTCU900027	Cerniera porta sinistra	Charnière gauche porte du four	Oven door left hinge	●	●	●	●	●
3	RTCU900026	Cerniera porta destra	Charnière droite porte du four	Oven door right hinge	●	●	●	●	●
4	RTCU900004	Porta rullino cerniera	Support charnière	Hinge support	●	●	●	●	●
5	PACU900004	Pannello isolante porta	Panneau isolant porte du four	Insulating panel oven door	●	●	●	●	●
6	RTCU900029	Terminale maniglia	Terminal poignée	Handle terminal	●	●	●	●	●
7	PACU900005	Maniglia porta	Poignée porte four	Oven door handle	●	●	●	●	●
8	PACU900003	Distanziale porta	Entretoise porte	Door spacer	●	●	●	●	●
9	PACU900002	Controporta forno	Contre porte du four	Oven counter door	●	●	●	●	●
10	RTCU800028	Griglia forno	Grille du four	Oven grate	●	●	●	●	●
11	GACU900018	Laterale forno	Panneau latéral du four	Oven lateral panel	●	●	●	●	●
12	GACU900024	Cassone forno	Caisson four	Oven covering	●	●	●	●	●
13	PACU900421	Pannello isolante laterale	Panneau isolant latéral four	Insulating lateral oven panel	●	●	●	●	●
14	PACU900422	Pannello isolante posteriore	Panneau isolant base four	Insulating posterior oven panel	●	●	●	●	●
15	PACU900069	Coprilana	Panneau couvre isolant du four	Wrapping insulating panel	●	●	●	●	●
16	PACU900068	Pannello isolante superiore	Panneau isolant supérieur caisson	Insulating superior oven panel	●	●	●	●	●
17	PACU900089	Parete caminetto interno	Cheminée intérieure	Internal chimney	●	●	●	●	●
18	RTCU900012	Bicono per tubo Ø 10	Bicone pour tube Ø 10	Bicone for pipe Ø 10	●	●	●	●	●
19	RTCU900013	Calotta tubo Ø 10	Écrou pour tube Ø 10	Nut for pipe Ø 10	●	●	●	●	●
20	RTCU900132	Niples 1/2" x 3/8"	Niples 1/2" x 3/8"	Niples 1/2" x 3/8"	●	●	●	●	●
21	PACU900095	Tubo alimentazione valvola	Tube de distribution soupape	Valve distribution pipe	●	●	●	●	●
22	RTCU900064	Valvola gas	Soupape à gaz	Gas valve	●	●	●	●	●
22	RTCU900063	Valvola gas	Soupape à gaz	Gas valve			●		
23	PACU900441	Squadretta sinistra porta valvola	Eguerre gauche pour soupape	Left bracket to fix gas valve	●	●		●	
23	PACU900553	Squadretta destra porta valvola	Eguerre droite pour soupape	Right bracket to fix gas valve			●		
23	PACU900440	Squadretta destra porta valvola	Eguerre droite pour soupape	Right bracket to fix gas valve					●
24	RTCU700020	Accenditore piezo	Allumage piezo	Piezolighting	●	●	●	●	●
25	RTCU900384	Cavo accensione	Cable d'allumage	Lighting cable	●	●	●	●	●
26	PACU900063	Tubo alimentazione bruciatore	Tube d'alimentation brûleur four	Feeding pipe oven burner	●	●	●	●	●
27	RTCU900337	Supporto iniettore forno	Support injecteur du four	Injector support	●	●	●	●	●
28	RTCU900078	Controdado	Contre écrou	Lock nut	●	●	●	●	●
29	RTCU900235	Iniettore Ø 1.45 K per GPL	Injecteur Ø 1.45 K pour GPL	LPG gas injector Ø 1.45 K	●	●	●	●	●
29	RTBF900017	Iniettore Ø 2.20 L per gas metano	Injecteur Ø 2.20 L pour méthane	Methane injector Ø 2.20 L	●	●	●	●	●
30	PACU900138	Regolatore aria	Dispositif de réglage d'admission d'air	Air regulator burner	●	●	●	●	●
31	RTCU900058	Bruciatore forno	Brûleur four	Oven burner	●	●	●	●	●
32	RTCU900060	Termocoppia cm. 75	Thermocouple cm. 75	Thermocouple cm. 75	●	●	●	●	●
33	PACU900105	Tubo pilota forno	Tube veilleuse four	Oven pilot pipe	●	●	●	●	●
34	RTCU800182	Raccordo Ø 6 per tubo pilota	Écrou Ø 6 pour veilleuse	Nut Ø 6 for pilot	●	●	●	●	●
35	RTCU800183	Bicono per tubo Ø 6	Bicone pour tube Ø 6	Bicone for pipe Ø 6	●	●	●	●	●
36	RTCU900217	Raccordo + bicono Ø 6	Écrou + bicone Ø 6	Nut + bicone Ø 6	●	●	●	●	●
37	RTCP800041	Iniettore pilota Ø 0.19 K per GPL	Injecteur veilleuse Ø 0.19 K pour GPL	LPG gas injector Ø 0.19 K	●	●	●	●	●
37	RTCP800040	Iniettore pilota Ø 0.36 K gas metano	Injecteur veilleuse Ø 0.36 K pour méthane	Methane injector Ø 0.36	●	●	●	●	●
38	RTCP800034	Corpo pilota 3 vie	Veilleuse 3 voies	3-ways pilot	●	●	●	●	●
39	PACU9000500	Squadretta porta pilota	Eguerre pour veilleuse	Bracket fo fix pilot	●	●	●	●	●
40	RTCP800033	Candela rotonda	Bougie oxide tonde	Oxide spark plug	●	●	●	●	●
41	RTCU900220	Raccordo 3/8"	Raccord 3/8"	Fitting 3/8"	●	●	●	●	●
42	PACU900010	Piano anteriore forno	Plan du four antérieur	Front oven plan	●	●	●	●	●
43	PACU900212	Piano forno	Plan du four	Oven plan	●	●	●	●	●
44	RTCU900030	Ferro di manovra	Crochet de déplacement	Removal hook	●	●	●	●	●