

Code No.	Description
1F 531880020	Outer Side Panel — R.H.
6B 531880030	Tie Plate
11E 531880070	Guard Rail
5B 531880080	Guard Rail Bracket — L.H.
5B 531880090	Guard Rail Bracket — R.H.
12B 531880250	Leg Cover
9C 531880260	Adjustable Foot
1F 531880810	Top Front Panel
11E 531880820	Outer Side Panel — L.H.
12E 531880840	Corner Post — R.H.
11C 531880860	Shelf Hanger
12E 531880870	Shelf
1F 531880880	Corner Post — L.H.
2G 531880890	Pan Insert
8N 731880310	Water Pan
8F 731880320	Control Panel

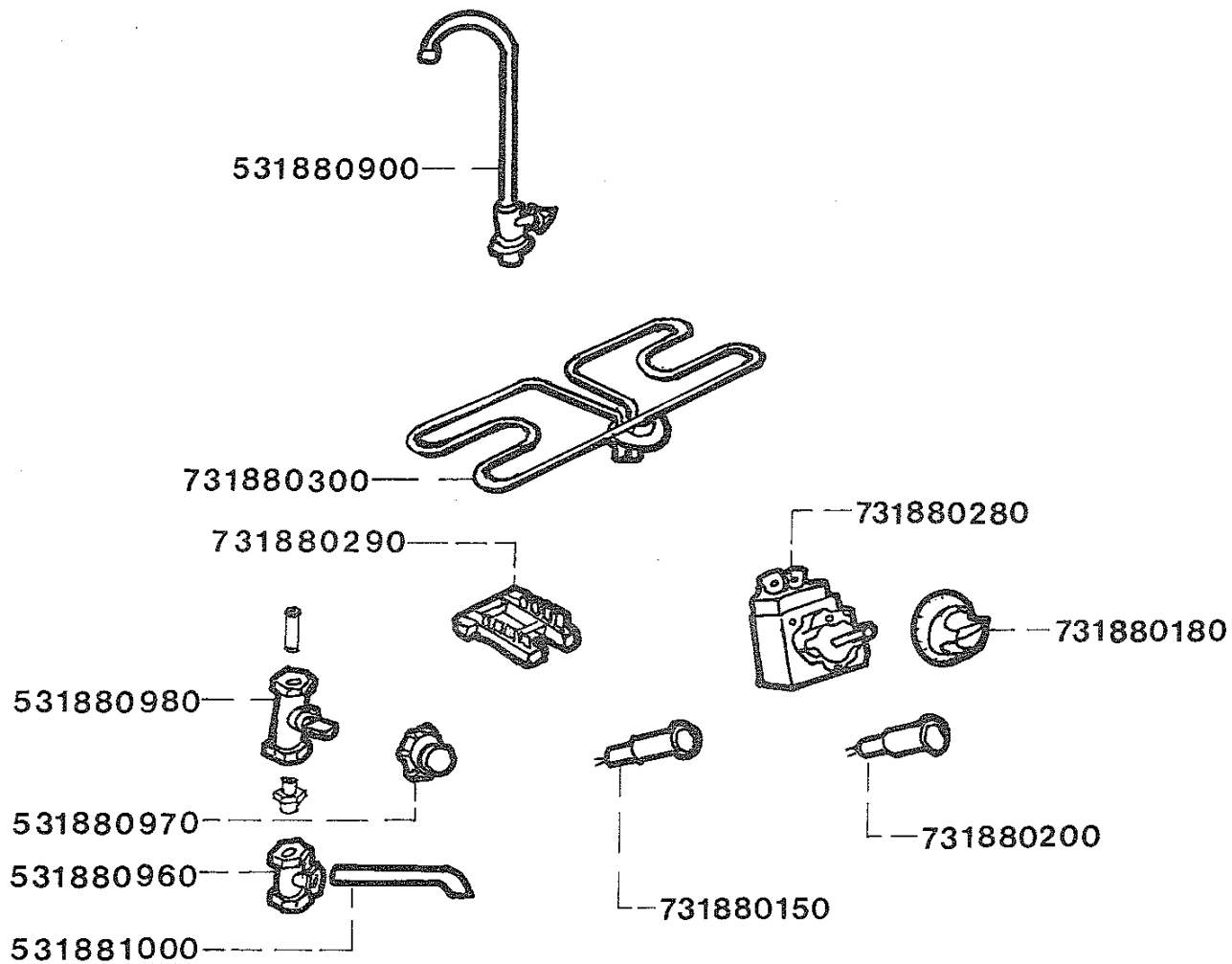
Sheet Reference Number

E1036IL/1185/001

**Falcon Catering  
Equipment**  
Commercial and institutional  
catering equipment



Falcon Catering Equipment is a  
business name of  
Glynwed Consumer & Building Products Ltd  
a member of the  
Glynwed International plc  
group of companies



Code	No.	Description
5K	531880900	Swivel Tap
1H	531880960	Banjo
6B	531880970	Drain Cock Knob
9E	531880980	Drain Cock
9C	531881000	Drain Pipe
7B	731880150	Pilot Lamp (Amber)
6B	731880180	Simmerstat Knob
7B	731880200	Mains Pilot Lamp (Red)
7B	731880290	Terminal Block
8H	731880300	Element — 240V
1D	731880330	Simmerstat

Sheet Reference Number

E1036IL/1185/002

**Falcon Catering  
Equipment**  
Commercial and institutional  
catering equipment



Falcon Catering Equipment is a  
business name of  
Glynwed Consumer & Building Products Ltd  
a member of the  
Glynwed International plc  
group of companies