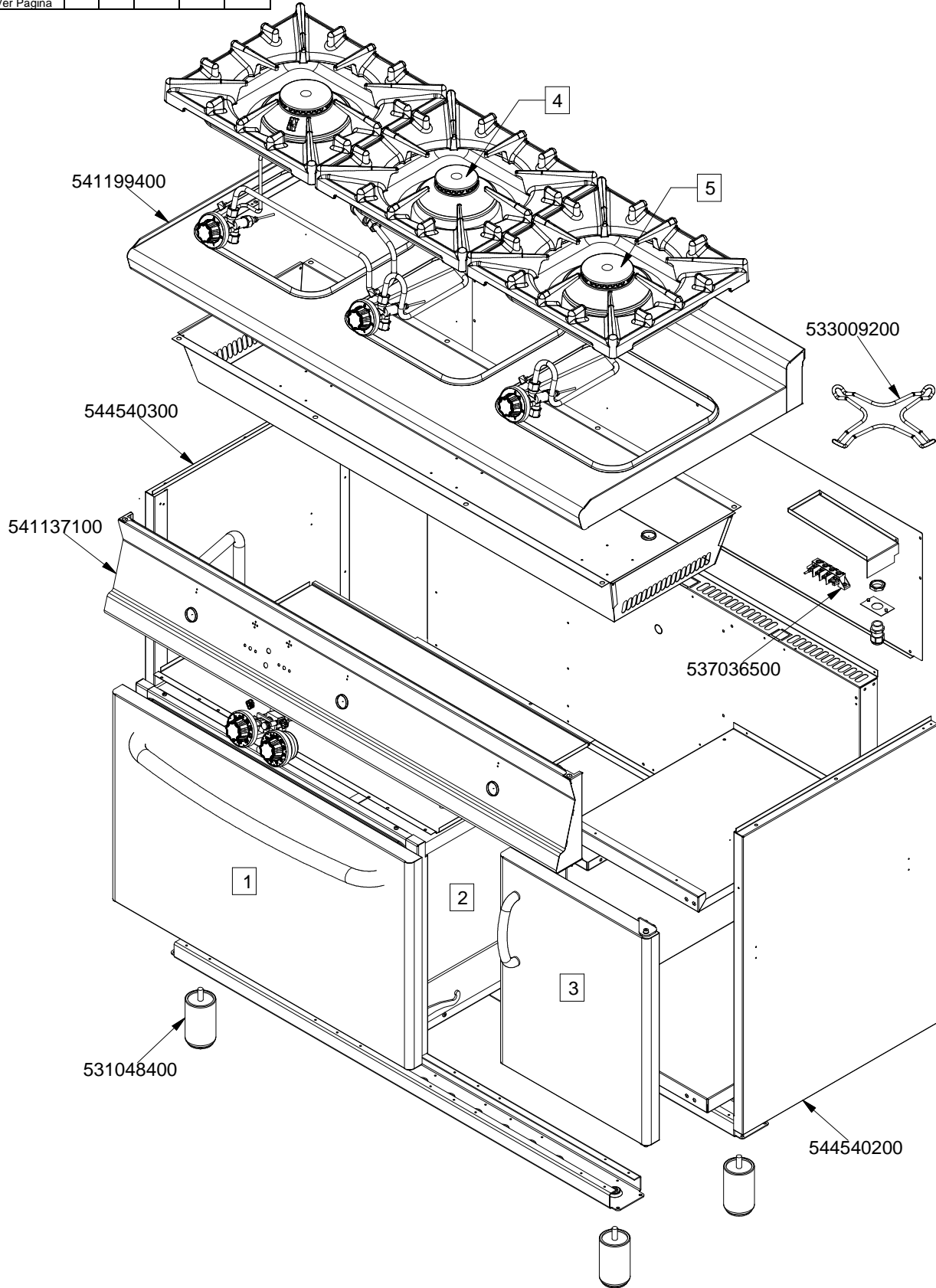


MAGICLOTUS 60

CUCINE / RANGES / HERDE / CUISINIÈRES

CFM3-612GEMV

	1	2	3	4	5
Vedi Pagina See Page Siehe Seite Voir Page Ver Pàgina	94	87	106	102	103



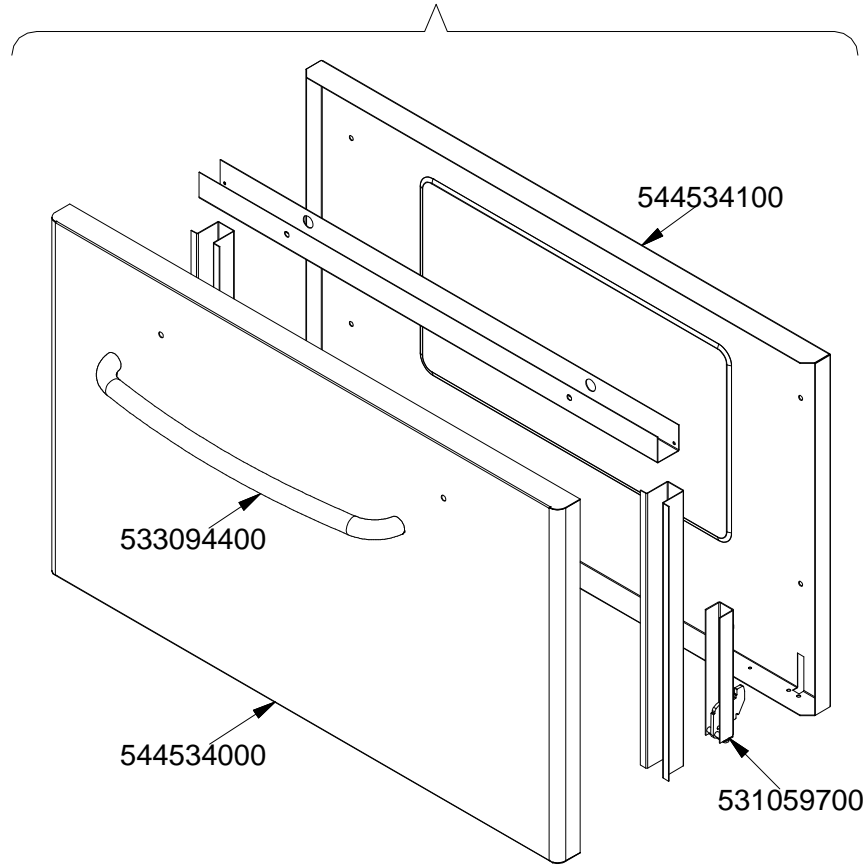
560084900M00P00

MAGICLOTUS 60

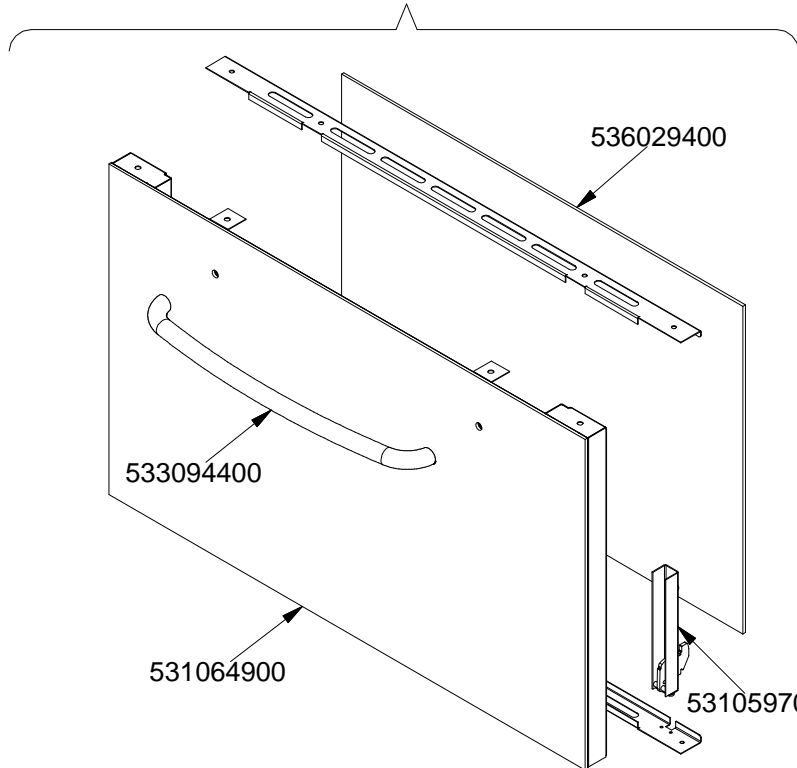
CUCINE / RANGES / HERDE / CUISINIÈRES
FORNO / OVEN / BACKOFEN / FOUR / CF...-68 CF...-610 CF...-612

PORTE / DOORS / TÜREN / PORTES / GN1/1

531059200



531059300

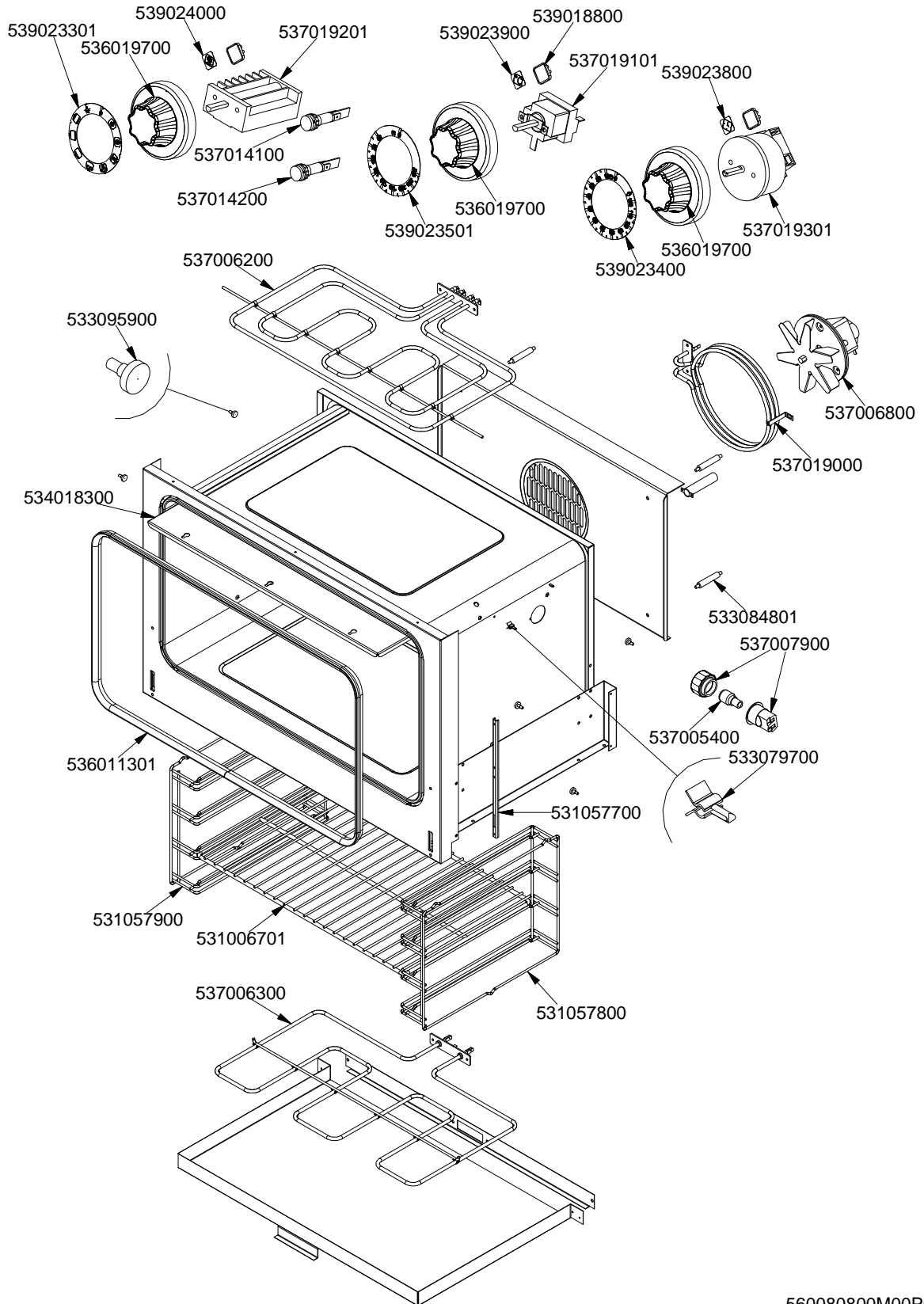


560081200M00P00

MAGICLOTUS 60

CUCINE / RANGES / HERDE / CUISINIÈRES
FORNO / OVEN / BACKOFEN / FOUR / CF...-68 CF...-610 CF...-612

ELETTRICO MULTIFUNZIONE / MULTIFUNCTION ELECTRIC / MULTIFUNKTIONS
ELEKTRO / LECTRIQUE FONCTIONS MULTIPLES / GN1/1



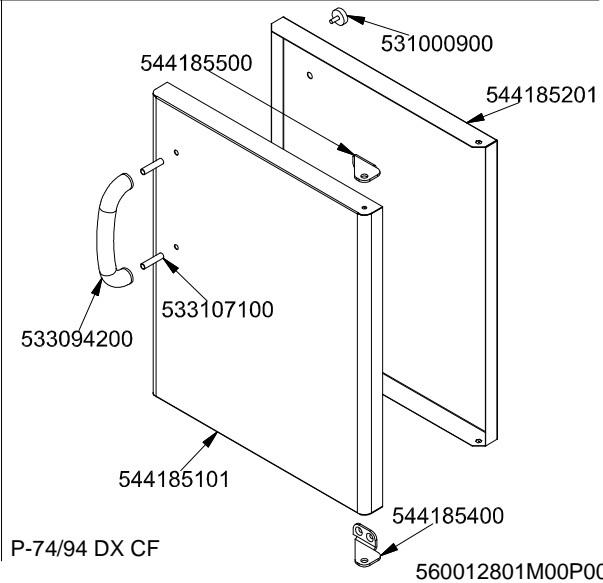
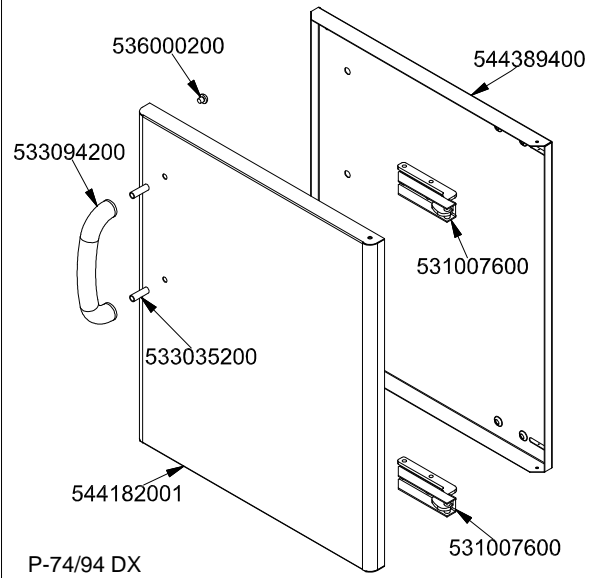
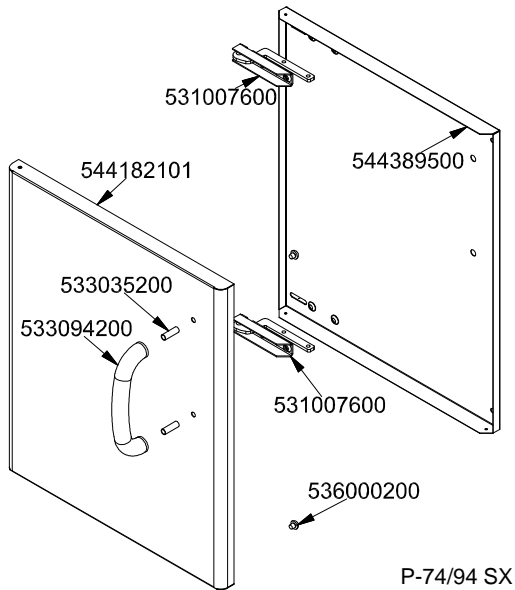
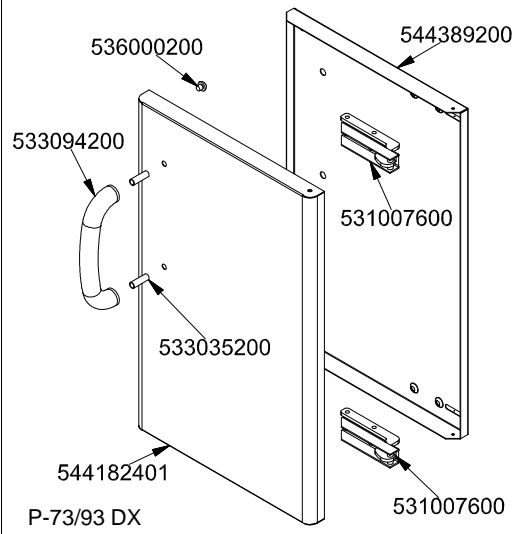
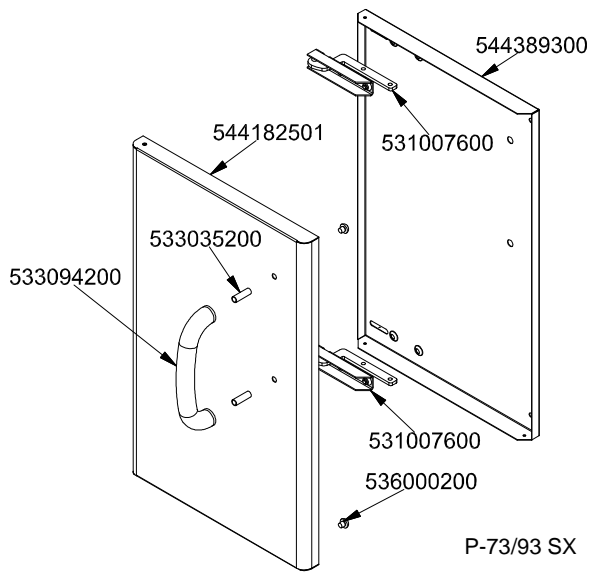
560080800M00P00.

MAGICLOTUS 60

CUCINE / RANGES / HERDE / CUISINIÈRES

COMPONENTI COMUNI / STANDARDS PARTS / UEBLICHE TEILE / COMPOSANTS COMMUNS

PORTE / DOORS / FLÜGELÜREN / PORTES



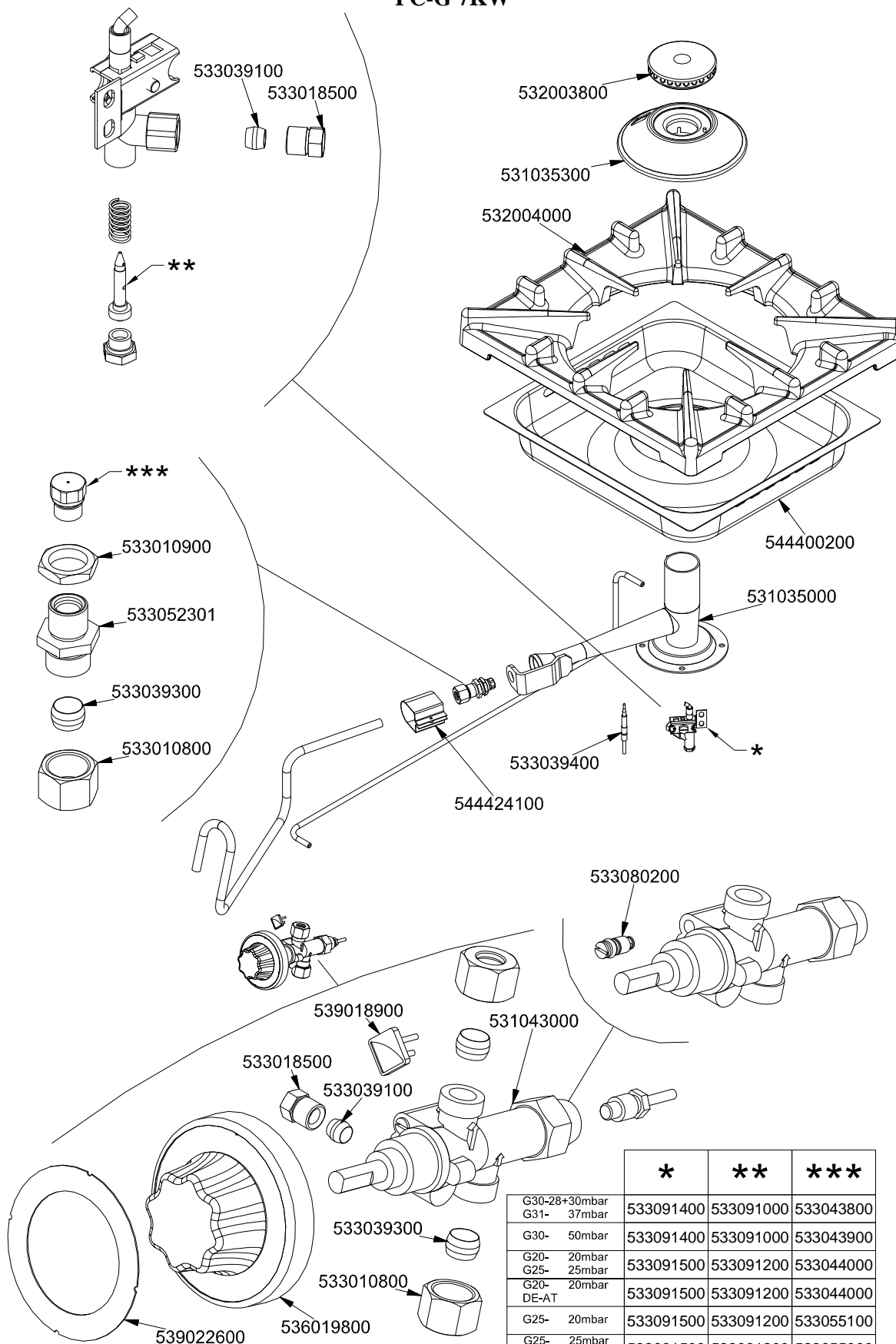
560012801M00P00

MAGICLOTUS 60

CUCINE / RANGES / HERDE / CUISINIÈRES

COMPONENTI COMUNI / STANDARDS PARTS / UEBLICHE TEILE / COMPOSANTS COMMUNS

PC-G 7KW



	*	**	***
G30-28+30mbar	533091400	533091000	533043800
G31- 37mbar	533091400	533091000	533043900
G30- 50mbar	533091400	533091000	533043900
G20- 20mbar	533091500	533091200	533044000
G25- 25mbar	533091500	533091200	533044000
G20- 20mbar	533091500	533091200	533044000
G25- 20mbar	533091500	533091200	533055100
G25- 25mbar	533091500	533091200	533055000

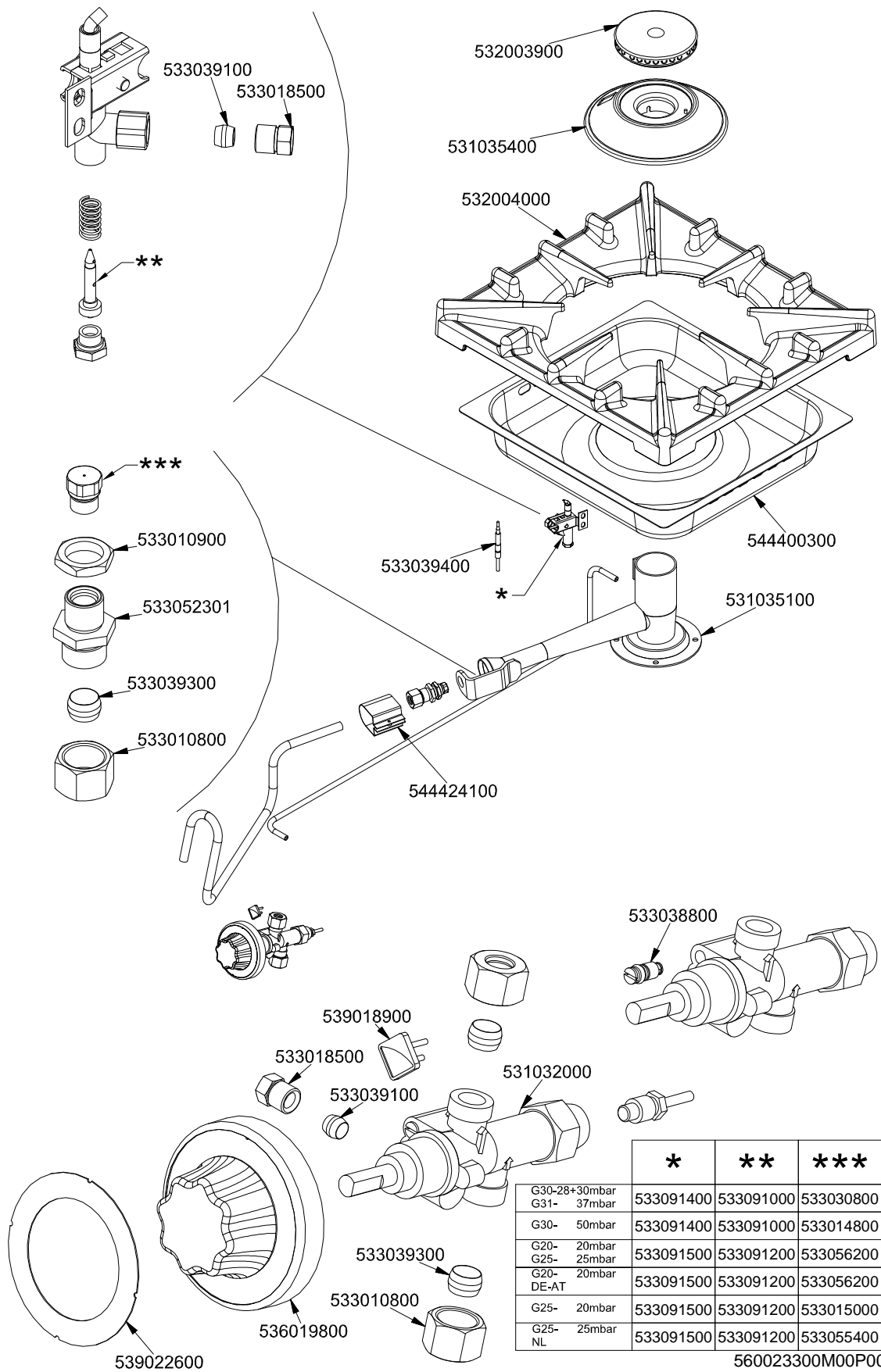
560023200M00P00

MAGICLOTUS 60

CUCINE / RANGES / HERDE / CUISINIÈRES

COMPONENTI COMUNI / STANDARDS PARTS / UEBLICHE TEILE / COMPOSANTS COMMUNS

PC-G 10KW



	*	**	***
G30-28+30mbar	533091400	533091000	533030800
G31- 37mbar	533091400	533091000	533014800
G30- 50mbar	533091400	533091000	533014800
G20- 20mbar	533091500	533091200	533056200
G25- 25mbar	533091500	533091200	533056200
G20- 20mbar	533091500	533091200	533056200
G20- DE-AT	533091500	533091200	533056200
G25- 20mbar	533091500	533091200	533015000
G25- 25mbar	533091500	533091200	533055400
G25- NL	533091500	533091200	533055400

560023300M00P00

Page	Pos	Code	Description
001		541199400	UPPER PLATE FOR 60T CF 3-612GEV
001		533009200	REDUCTION FOR 65 AND 70 LINE
001		544540300	
001		541137100	CONTROL PANEL CF3-512GE CF3-512GEV
001		537036500	TERMINAL BLOCK 4POLES 40A SCREW-SCR
001		531048400	INOX LEG Ø1"3/4 100-165 M10
001		544540200	
002		531059200	OVEN DOOR * S60T 68 INOX C.
002		544534100	INNER DOOR OF MAXI OVEN OF 60T-LINE
002		533094400	S/S OVEN DOOR HANDLE FOR 60T-LINE
002		544534000	S/S DOOR FOR MAXI OVEN OF 60T LINE
002		531059700	DOOR HINGE FOR MAXI OVEN 60.LINE
002		531059300	OVEN DOOR * S60T 68 GLASS C.
002		536029400	
002		531064900	
003		539018800	INDEX FOR OVEN KNOB
003		539023900	SIGN PLATE FOR OVEN TEMPERATURE
003		539024000	SIGN PLATE FOR OVEN SELECTOR
003		539023301	ADHESIVE GRADUATED*EL.MULTIF.COMM.
003		536019700	BLACK KNOB §70 PIN §6*5
003		537019101	THERMOSTAT MONOPHAS.050-320°C F.MF
003		539023800	SIGN PLATE FOR OVEN TIMER
003		537019201	OVEN COMMUTATOR MULTIF.60+65
003		537014100	WHITE WARNING LIGHT 250V
003		537014200	GREEN WARNING LIGHT 250V
003		539023501	ADHESIVE GRAD.DISC *E.MULTIF.TERM.
003		537006200	UPPER OVEN HEATING EL.1000+2000W
003		539023400	ADHESIVE GRADUATED DISC F.KNOB
003		533095900	PIN FOR GRIDSHOLDER SUPPORT CF 60
003		537019301	
003		537006800	FAN 240V CF-62
003		533079700	LOCK SPRING FOR BULB §3/§4
003		537019000	CIRCULAR HEATING ELEMENT FOR OVEN
003		534018300	KNOB PROTECTION FOR MAXI CF 60T
003		533084801	PANEL SPACER OF AIR DIFF.MAXI OVEN
003		537007900	OVEN BULB-SOCKET
003		531057900	LHD GRIDS HOLDER FOR MAXI-OVEN
003		531006701	MAXI OVEN GRID FOR S60/65
003		537005400	OVEN BULB 15W 300°C
003		536011301	OVEN GASKET CF-8/10 *FE*
003		531057700	DOOR WHEEL HOLDER F.MAXI OVEN 60T
003		537006300	LOWER OVEN HEATING EL.W1750 230CF8/
003		531057800	RHD GRIDS HOLDER FOR MAXI-OVEN
004		533094200	S/S HANDLE FOR 70/90 SERIES
004		533035200	
004		544182501	LEFT DOOR 73
004		544389300	
004		531007600	DOOR HINGE
004		536000200	D.12 H.4 BUMPER
004		544389200	
004		544182401	RIGHT DOOR 73

Page	Pos	Code	Description
004		544389500	INNER-DOOR OF LHD 74
004		544182101	LEFT DOOR 74
004		544182001	RIGHT DOOR 74
004		544389400	
004		531000900	MAGNET §22 KG.3 WITH DISK
004		544185201	
004		544185500	UPPER DOOR HINGE FOR COMPARTME CF70
004		533107100	
004		544185101	RIGHT DOOR 74 CF
004		544185400	LOWER DOOR HINGE FOR COMPARTME CF70
005		533039100	BICONE §6
005		533018500	FITTING FOR BICONE D.6 M10*1
005		532003800	BURNER COVER RING §082
005		531035300	MEDIUM BURNER BODY 90 LINE
005		532004000	1 FLAME GRILL 396X366 (90)
005		533010900	NUT M14*1 H.4
005		533052301	JOINT FOR NOZZLE HOLDER
005		533039300	BICONE §10
005		533010800	TUBE NUT D.10 M16*1,5
005		544400200	BURNER DRIP PAN 2/3
005		531035000	MEDIUM BURNER VENTURI 90 LINE
005		533039400	THERMOCOUPLE M9*1*850
005		544424100	
005		533080200	BY PASS COCK §65 20S-21S
005		531043000	GAS COCK 21S P.V. BY-PASS §065
005		539018900	INDEX FOR KNOB
005		536019800	BLACK KNOB §70 PIN §8*6,5
005		539022600	GRADUATED STICKER FOR KNOB
005		533091400	P.NOZZLE §100 UG.§20 PC90 LPG-FLUS
005		533091000	NOZZLE 0.100 §20
005		533043800	NOZZLE §130 CH12*14 G-CW4
005		533043900	NOZZLE §115 CH12*14 F-CW4
005		533091500	PILOT NOZZLE S.100 §30 PC90 NAT.GAS
005		533091200	PILOT NOZZLE 0100 Ø35 PIL.PC
005		533044000	NOZZLE §195 CH12*14 M-CW4
005		533055100	NOZZLE §215 CH12*14 L-CW4
005		533055000	NOZZLE §205 CH12*14 G25 CW4
006		533039100	BICONE §6
006		533018500	FITTING FOR BICONE D.6 M10*1
006		532003900	BURNER COVER RING §100
006		531035400	BIG BURNER BODY 90 LINE
006		532004000	1 FLAME GRILL 396X366 (90)
006		544400300	BURNER DRIP PAN 2/3
006		531035100	BIG BURNER VENTURI 90 LINE
006		544424100	
006		533010900	NUT M14*1 H.4
006		533052301	JOINT FOR NOZZLE HOLDER
006		533039300	BICONE §10
006		533010800	TUBE NUT D.10 M16*1,5
006		539018900	INDEX FOR KNOB
006		531032000	GAS COCK P.V.BY-PASS Ø075

Page	Pos	Code	Description
006		533038800	75 BY-PASS FOR 21S TAP
006		536019800	BLACK KNOB §70 PIN §8*6,5
006		539022600	GRADUATED STICKER FOR KNOB
006		533091400	P.NOZZLE S100 UG.§20 PC90 LPG-FLUS
006		533091000	NOZZLE 0.100 §20
006		533030800	NOZZLE §155 CH12X14 M-CW
006		533014800	NOZZLE §135 CH12*14,0
006		533091500	PILOT NOZZLE S.100 §30 PC90 NAT.GAS
006		533091200	PILOT NOZZLE 0100 Ø35 PIL.PC
006		533056200	NOZZLE §230 CH12*14
006		533015000	NOZZLE D.I 260 G110 (TOWN GAS)
006		533055400	NOZZLE §245 CH12*14