

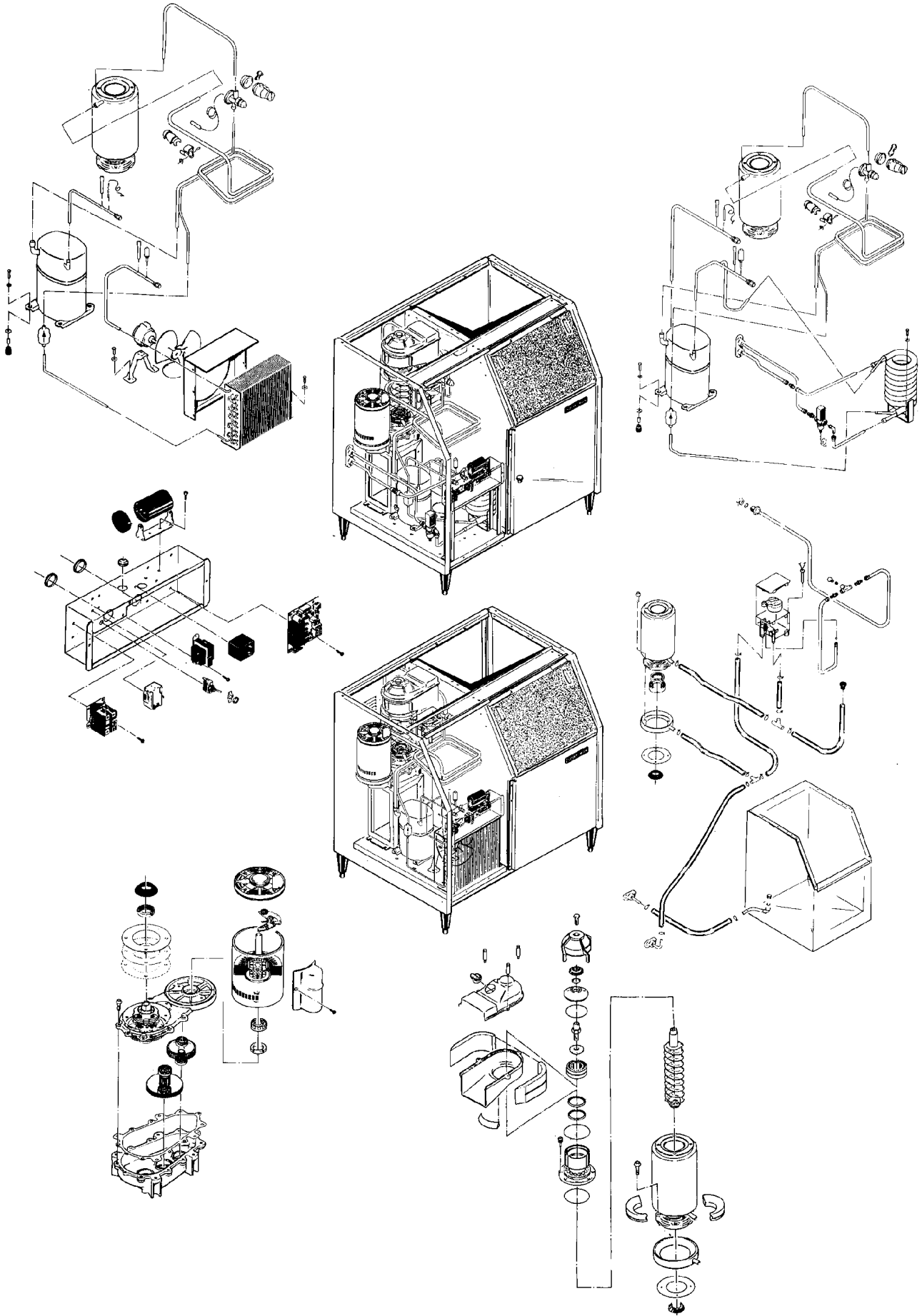
NS650 SERVICE PARTS

This parts list contains the service part numbers and wiring diagrams for this model. Check the model number of the unit being serviced to be sure that this list is the correct one.

TABLE OF CONTENTS

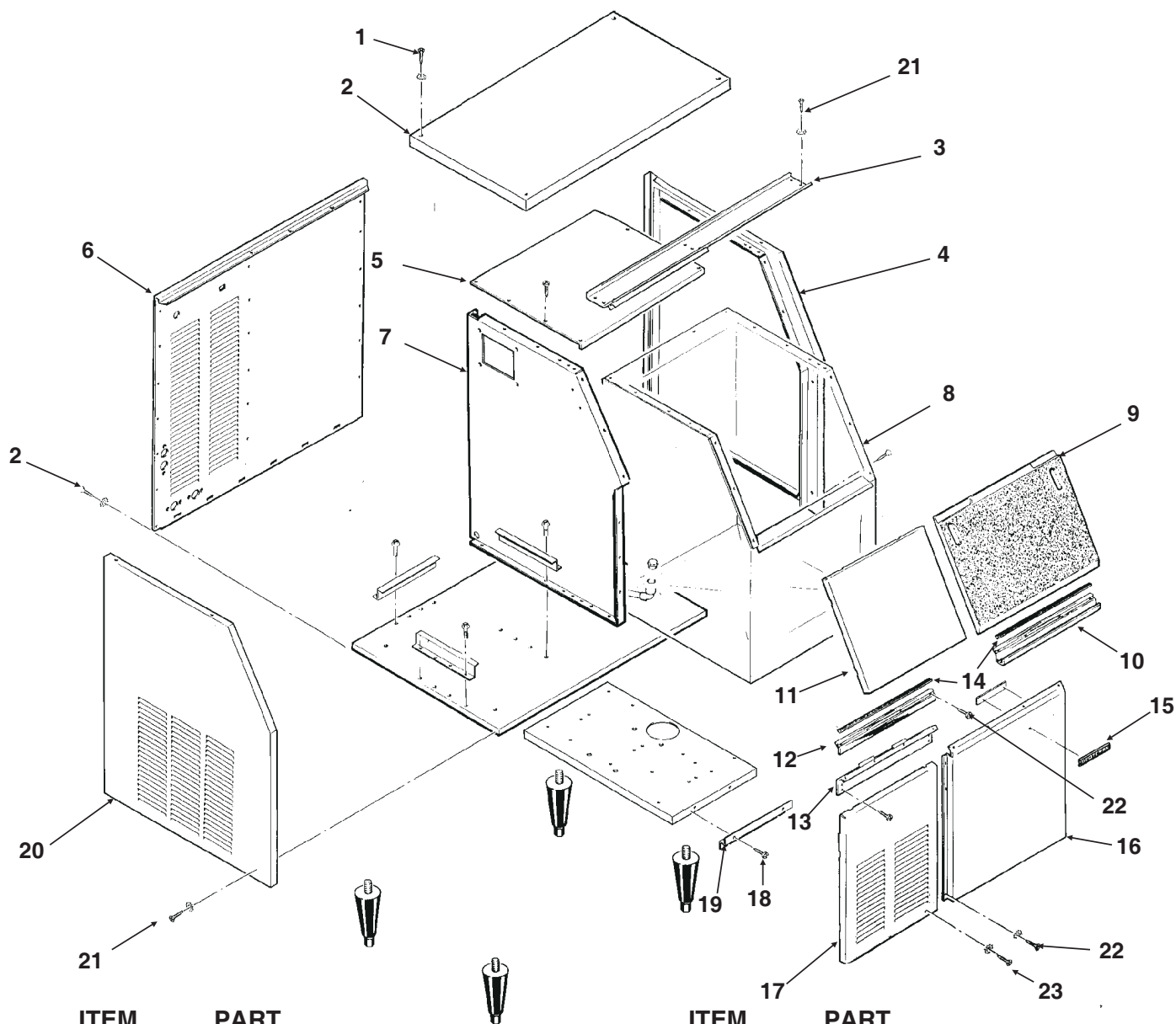
Cabinet	Page 2
Air Cooled Refrigeration	Page 3
Water Cooled Refrigeration.....	Page 4
Water System	Page 5
Evaporator	Page 6
Gearmotor.....	Page 7
Ice Level Sensor	Page 8
Control Box.....	Page 9
Wiring Diagrams.....	Page 10

NS650 SERVICE PARTS



NS650 SERVICE PARTS

Cabinet



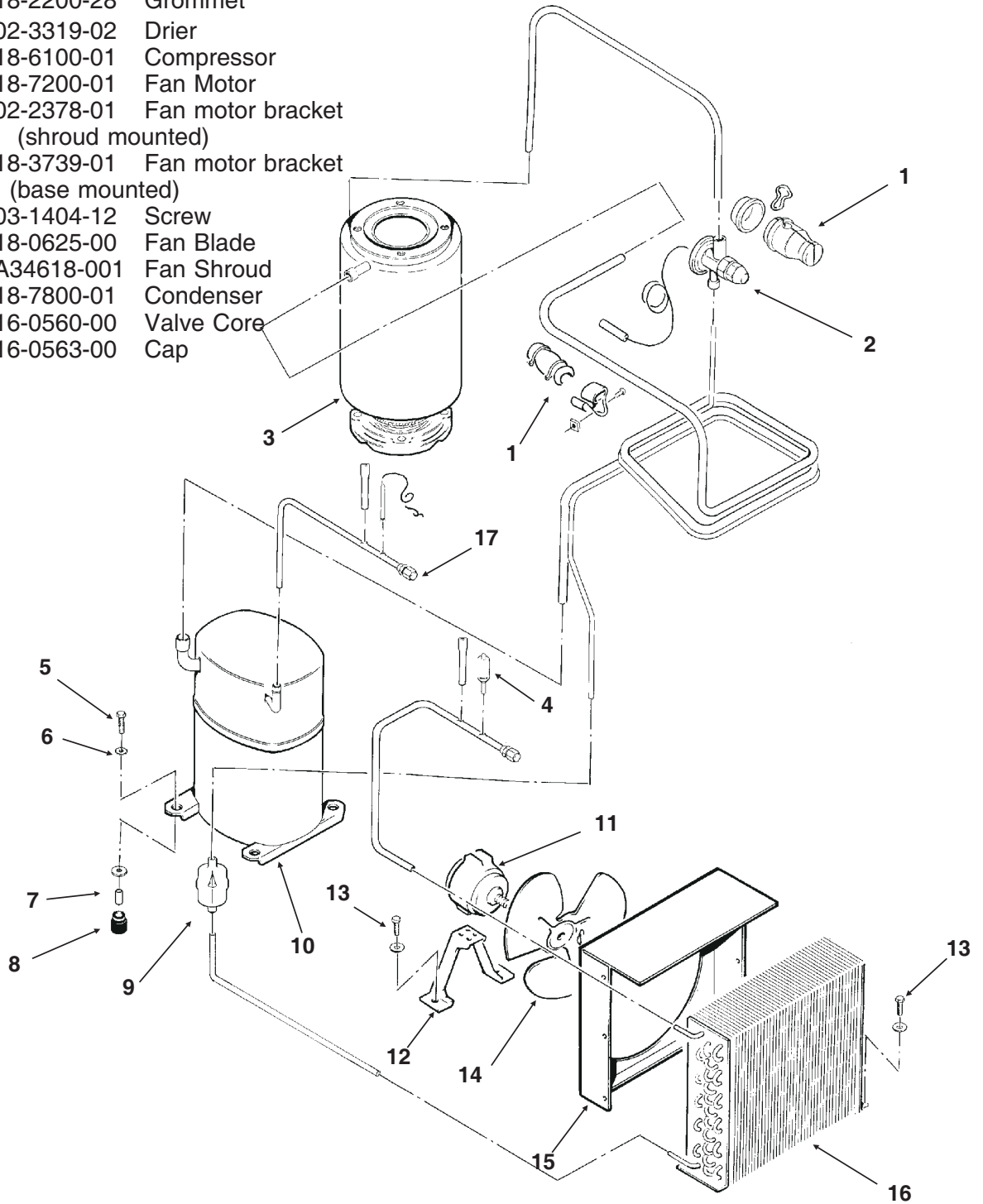
ITEM NUMBER	PART NUMBER	DESCRIPTION
1	03-1419-19	Screw
2	A30738-004	Top Panel, painted
	A30738-002	Top Panel, Stainless
3	A37347-001	Door Track Assy
4	A24800-004	Rt. Side Panel, paint
	A24800-002	Rt. Side Panel, Stainless
5	A34442-001	Bin Cover
6	A33986-001	Back Panel
7	A33952-001	Retainer
8	A34421-001	Ice Storage Bin
9	02-2130-03	Door, Brown
	02-2130-02	Door, Gray (for Stainless)
10	15-0620-01	Moulding Right
11	A30497-006	Upper front panel, painted
	A30497-002	Upper front panel, stainless

ITEM NUMBER	PART NUMBER	DESCRIPTION
12	15-0706-01	Moulding, left
13	A33958-001	Bracket
14	15-0324-00	Black insert 37"
15	15-0808-01	Emblem
16	A24794-004	Rt. Front Panel, painted
	A24794-002	Rt. Front Panel, stainless
17	A33968-001	Lower left front, painted
	A33968-002	Lower left front, stainless
18	03-1645-01	Screw
19	A33984-001	Bracket
20	A27034-004	Left side panel, painted
	A27034-002	Left side panel, stainless
21	03-1531-01	Screw
22	03-1419-17	Screw, flathead
23	03-1403-06	Screw
24	KLP2E	Leg kit

NS650 SERVICE PARTS

Air Cooled Refrigeration

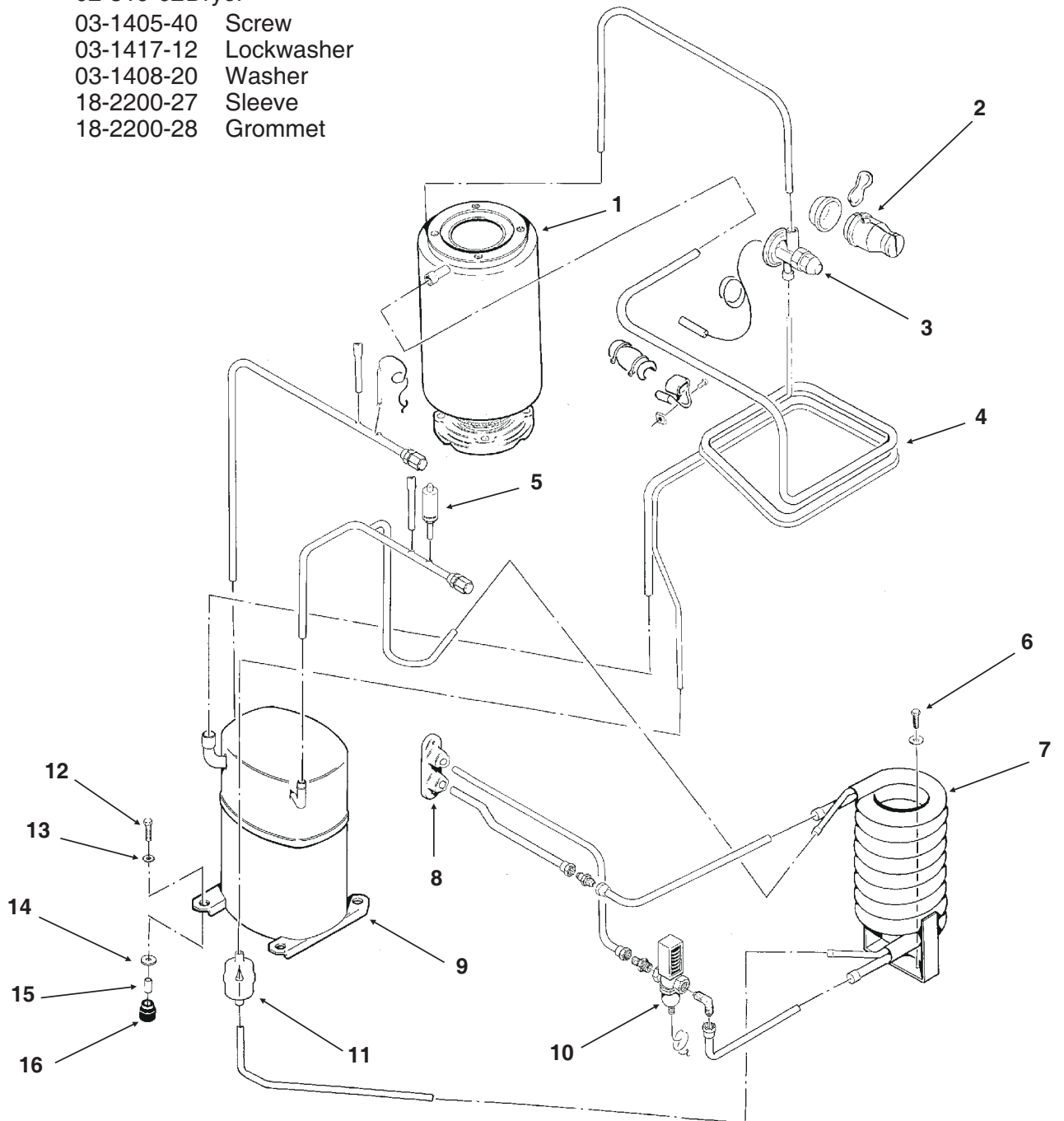
ITEM NUMBER	PART NUMBER	DESCRIPTION
1	A32961-010	Insulation Kit (3 piece)
2	16-0780-21	Thermo Expansion valve
3	A33194-020	Evaporator
4	11-0446-23	Hi Pressure Cut Out
5	03-1405-40	Screw
6	03-1417-12	Lockwasher
	03-1408-20	Washer
7	18-2200-27	Sleeve
8	18-2200-28	Grommet
9	02-3319-02	Drier
10	18-6100-01	Compressor
11	18-7200-01	Fan Motor
12	02-2378-01	Fan motor bracket (shroud mounted)
	18-3739-01	Fan motor bracket (base mounted)
13	03-1404-12	Screw
14	18-0625-00	Fan Blade
15	A34618-001	Fan Shroud
16	18-7800-01	Condenser
17	16-0560-00	Valve Core
	16-0563-00	Cap



NS650 SERVICE PARTS

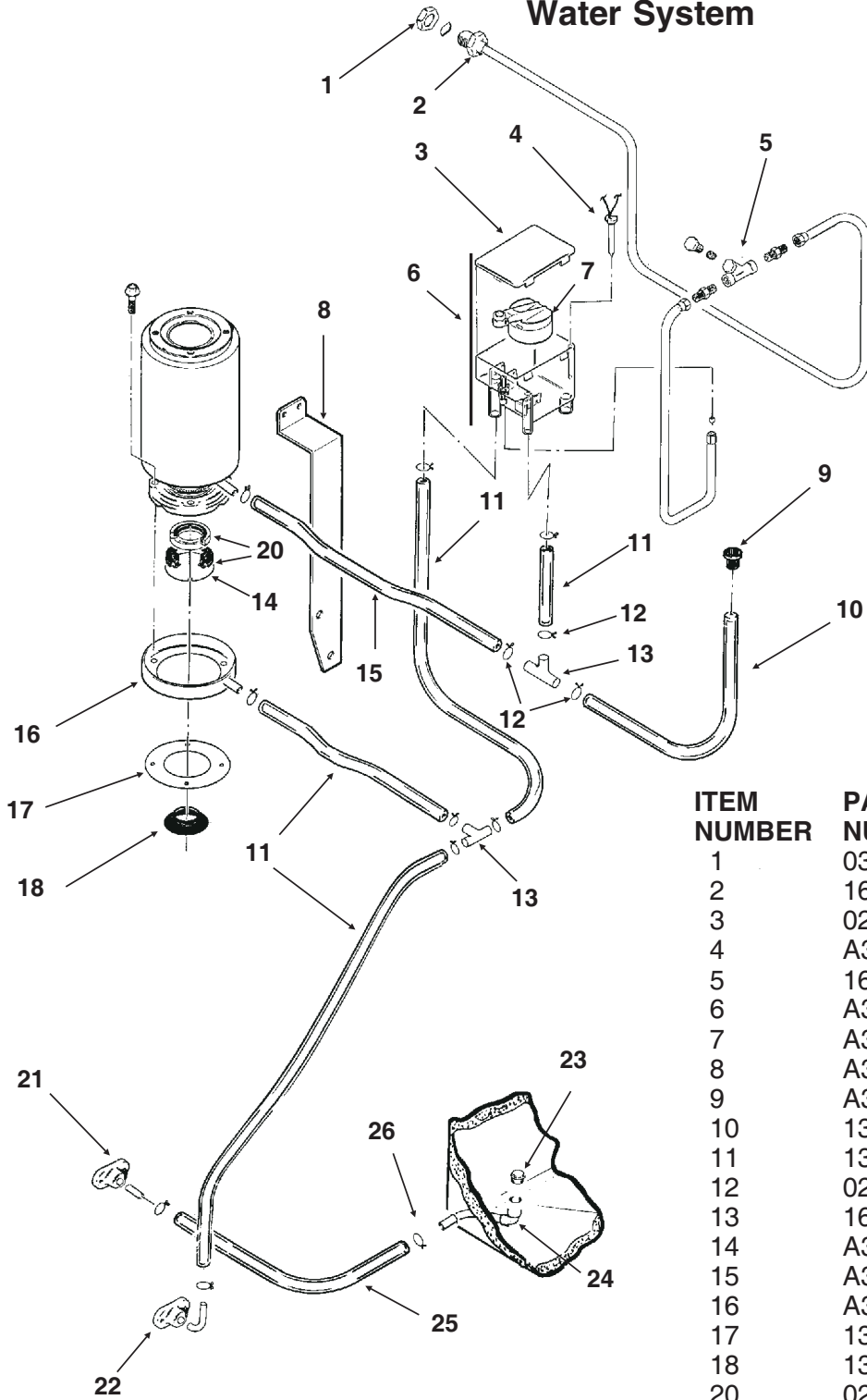
Water Cooled Refrigeration

ITEM NUMBER	PART NUMBER	DESCRIPTION
1	A33194-020	Evaporator
2	A32961-020	Insulation Kit, 3 piece
3	16-0780-21	Thermo Expansion Valve
4	A33954-001	Suction Line Assy
5	11-0446-23	Hi Pressure Cut Out
6	03-1645-01	Screw
7	18-3306-25	Condenser
8	A31878-003	Casting
9	18-6100-01	Compressor
10	11-0424-01	Water Regulating Valve
11	02-319-02	Dryer
12	03-1405-40	Screw
13	03-1417-12	Lockwasher
14	03-1408-20	Washer
15	18-2200-27	Sleeve
16	18-2200-28	Grommet



NS650 SERVICE PARTS

Water System



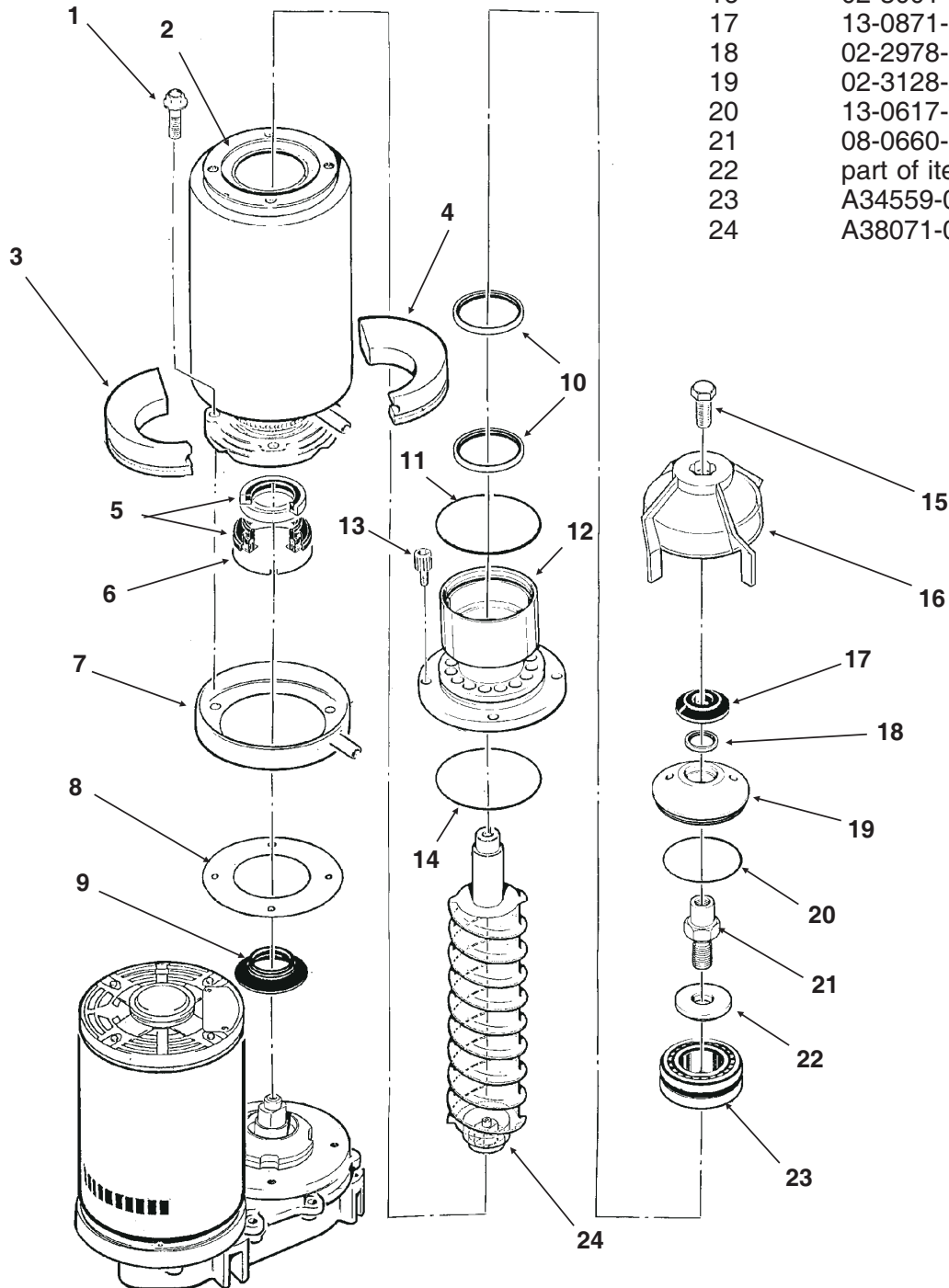
ITEM NUMBER	PART NUMBER	DESCRIPTION
1	03-1394-01	Pal Nut
2	16-0721-01	Inlet Water Fitting
3	02-2936-01	Res. Cover
4	A33101-021	Water Level Sensor
5	16-0162-01	Strainer
6	A32929-020	Reservoir Assy, Complete
7	A32907-001	Float Assembly
8	A33953-001	Reservoir Bracket
9	A33205-001	Plug
10	13-0674-06	Drain Tubing 11"
11	13-0079-03	Tubing 5"
12	02-2814-08	Clamp
13	16-0670-01	Tee
14	A32777-001	Retaining Ring
15	A33203-001	Preformed Tubing
16	A32050-001	Drain Pan
17	13-0704-00	Gasket
18	13-0871-01	Water Shed
20	02-0929-23	Water Seal
21	A31828-005	Drain Casting
22	A31828-007	Drain Casting
23	02-2809-01	Drain top
24	A27018-001	Drain
25	13-0674-06	Drain Tube 6"
26	02-1338-00	Hose Clamp

NS650 SERVICE PARTS

Evaporator

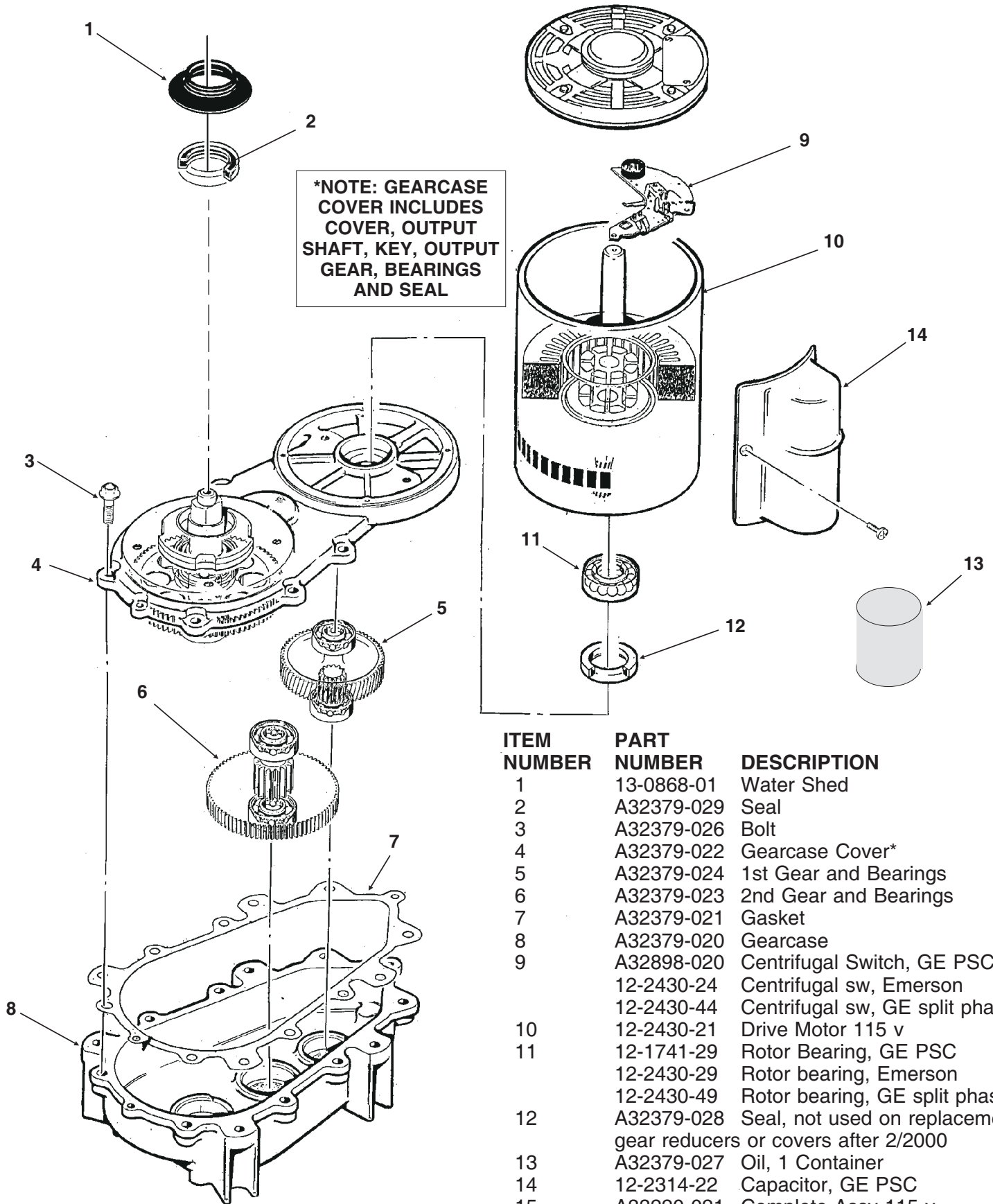
ITEM NUMBER	PART NUMBER	DESCRIPTION
1	03-1405-41	Cap Screw
	03-1417-13	Lockwasher
2	A33194-020	Evaporator
3	A32962-001	Insulation Half
4	A32962-002	Insulation Half
5	02-0929-23	Water Seal
6	A32777-001	Retaining ring for seal
7	A32050-001	Drip Pan

ITEM NUMBER	PART NUMBER	DESCRIPTION
8	13-0704-00	Gasket
9	13-0868-01	Water Shed
10	02-2977-01	Lip Seal
11	13-0617-54	O-Ring
12	A32900-020	Breaker (includes 10 & 14 & 23)
13	03-1544-08	Soc. head screw
14	13-0617-45	O-Ring
15	03-1405-52	Hex Cap Screw
16	02-3001-01	Ice Sweep
17	13-0871-01	Water Shed
18	02-2978-01	Lip Seal
19	02-3128-20	Breaker cover
20	13-0617-52	O-Ring
21	08-0660-01	Auger Stud
22	part of item 21	Thrust Washer
23	A34559-020	Bearing
24	A38071-021	Auger



NS650 SERVICE PARTS

Gearmotor Assembly

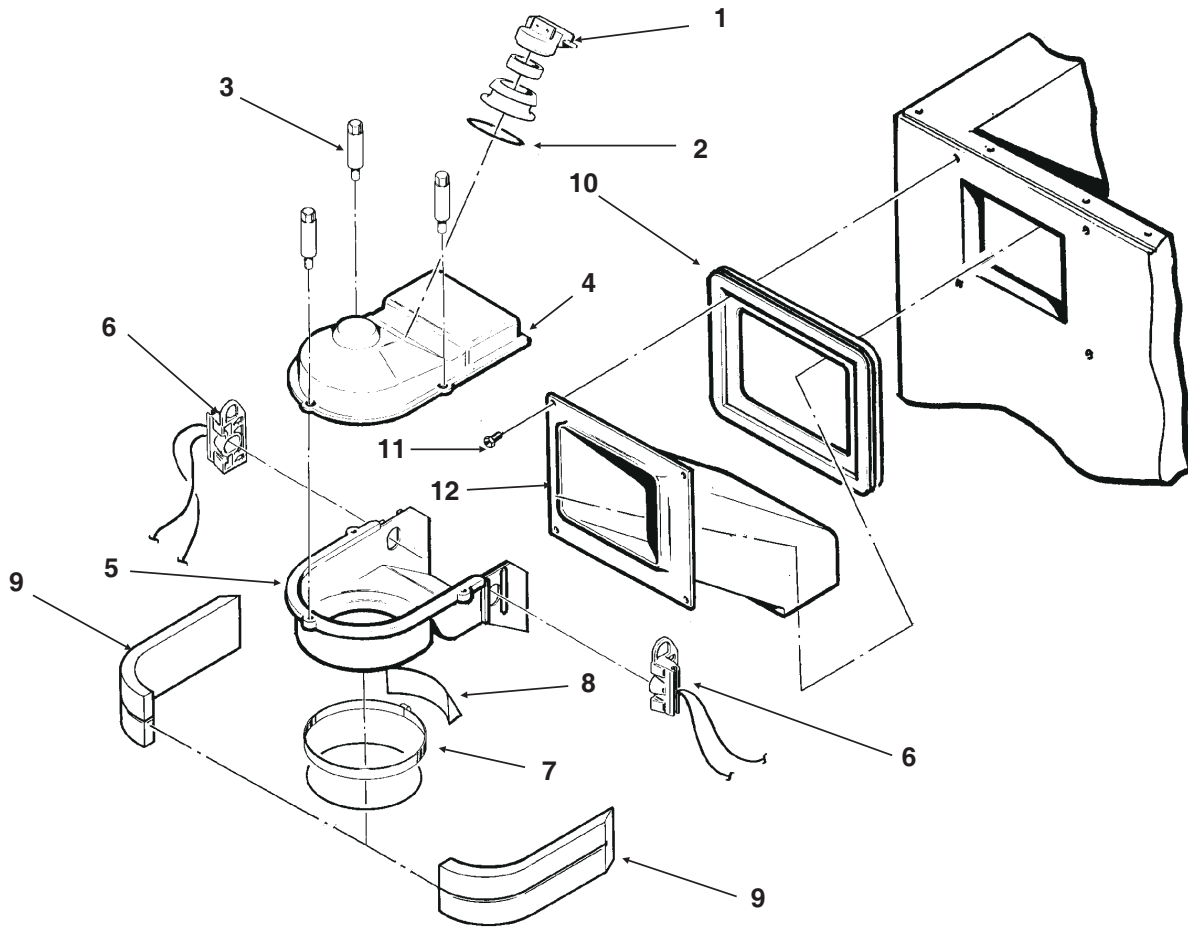


***NOTE: GEARCASE COVER INCLUDES COVER, OUTPUT SHAFT, KEY, OUTPUT GEAR, BEARINGS AND SEAL**

ITEM NUMBER	PART NUMBER	DESCRIPTION
1	13-0868-01	Water Shed
2	A32379-029	Seal
3	A32379-026	Bolt
4	A32379-022	Gearcase Cover*
5	A32379-024	1st Gear and Bearings
6	A32379-023	2nd Gear and Bearings
7	A32379-021	Gasket
8	A32379-020	Gearcase
9	A32898-020	Centrifugal Switch, GE PSC
	12-2430-24	Centrifugal sw, Emerson
	12-2430-44	Centrifugal sw, GE split phase
10	12-2430-21	Drive Motor 115 v
11	12-1741-29	Rotor Bearing, GE PSC
	12-2430-29	Rotor bearing, Emerson
	12-2430-49	Rotor bearing, GE split phase
12	A32379-028	Seal, not used on replacement gear reducers or covers after 2/2000
13	A32379-027	Oil, 1 Container
14	12-2314-22	Capacitor, GE PSC
15	A33220-021	Complete Assy 115 v
	A33220-030	Gears, oil and cases. No motor

NS650 SERVICE PARTS

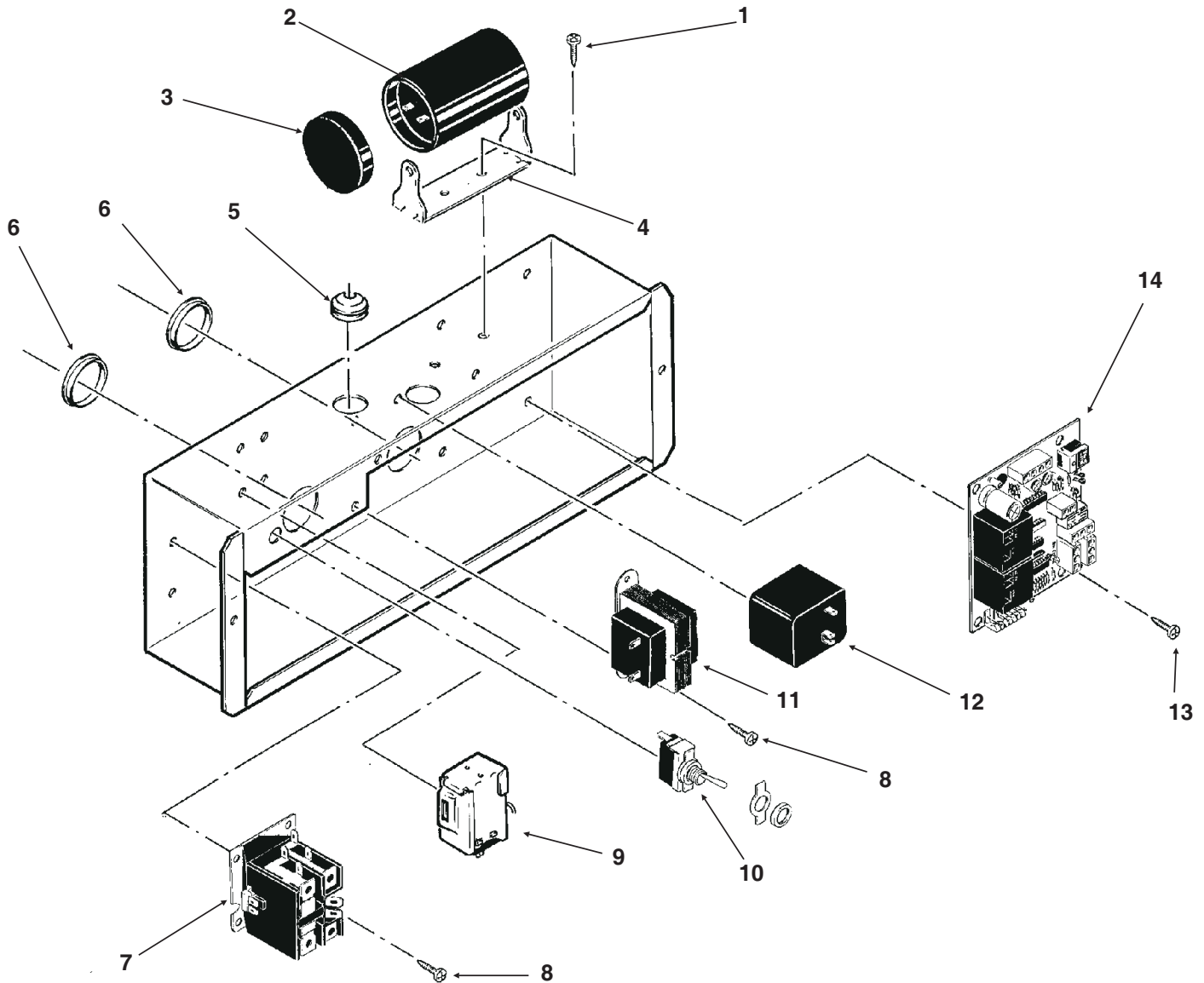
Ice Level Sensors and Ice Chute



ITEM NUMBER	PART NUMBER	DESCRIPTION
1	A32891-020	Switch Assy
2	13-0617-53	O-Ring
3	02-2933-01	Hex Stud
4	02-2957-01	Ice chute cover
5	02-2958-01	Ice chute body
6	A37711-021	Ice level sensors
7	A32905-001	Band Clamp
8	A33102-001	Insulation
9	no number	Insulation half
10	13-0867-01	Grommet
11	03-1531-01	Screw
12	02-2973-01	Chute extension

NS650 SERVICE PARTS

Control Box



ITEM NUMBER	PART NUMBER	DESCRIPTION
1	03-1419-10	Screw
2	18-1901-42	Start Capacitor
3	18-4300-50	Start Capacitor Cap
4	18-2200-39	Start Capacitor Bracket
5	13-0577-00	Grommet
6	12-1213-11	Bushing
7	12-2469-03	Contactor
8	03-1531-01	Screw
9	11-0447-20	Low Pressure Control

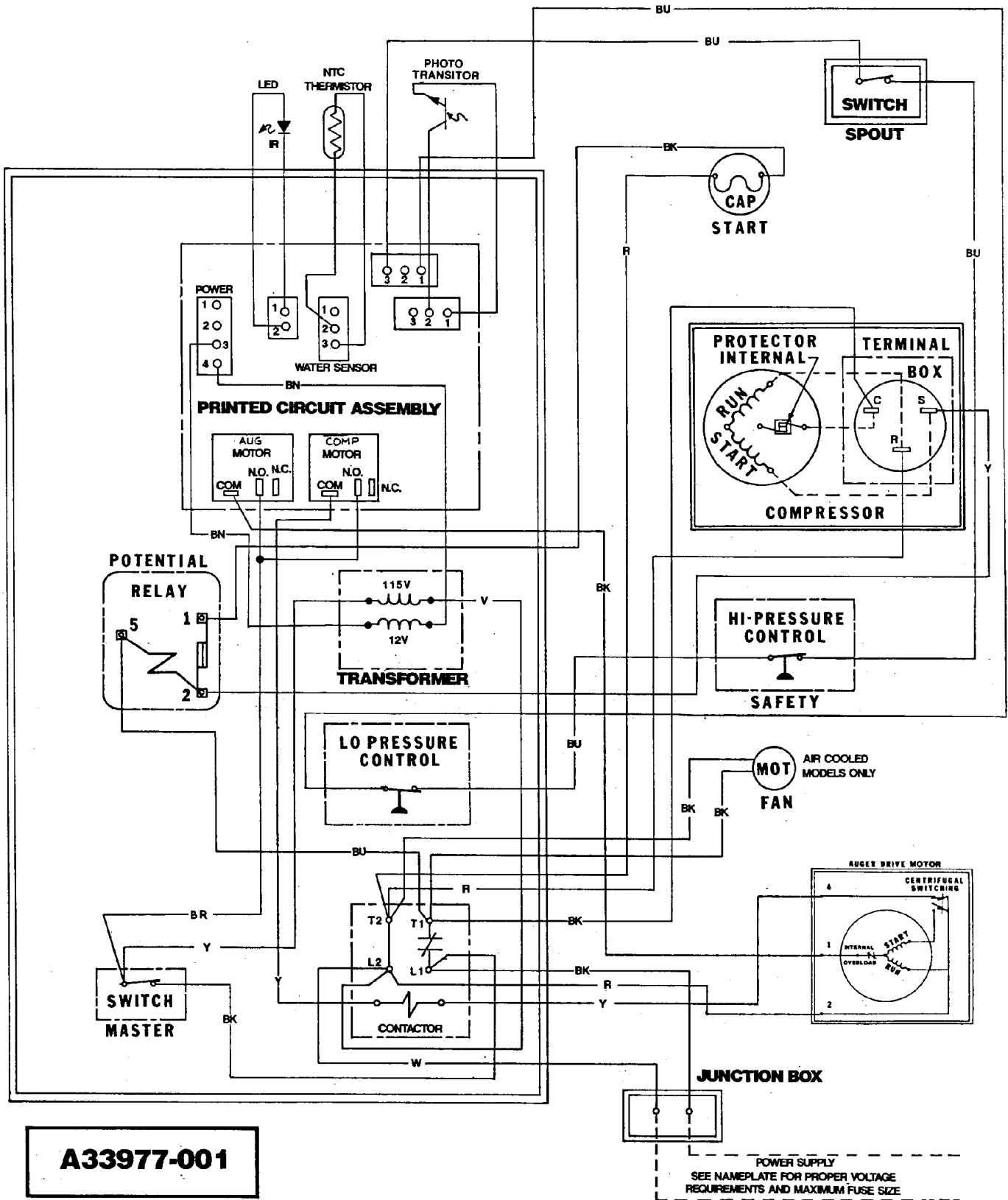
ITEM NUMBER	PART NUMBER	DESCRIPTION
10	12-0426-01	Master Switch
11	12-2285-21	Transformer
12	18-1903-44	Potential Relay
13	12-2350-01	Stand off
14	A32976-020	Circuit Board

NOT ILLUSTRATED

15	12-2337-02	Wire Harness, circuit board to spout switch
16	12-2340-02	Wire Harnes, circuit board to transformer

NS650 SERVICE PARTS

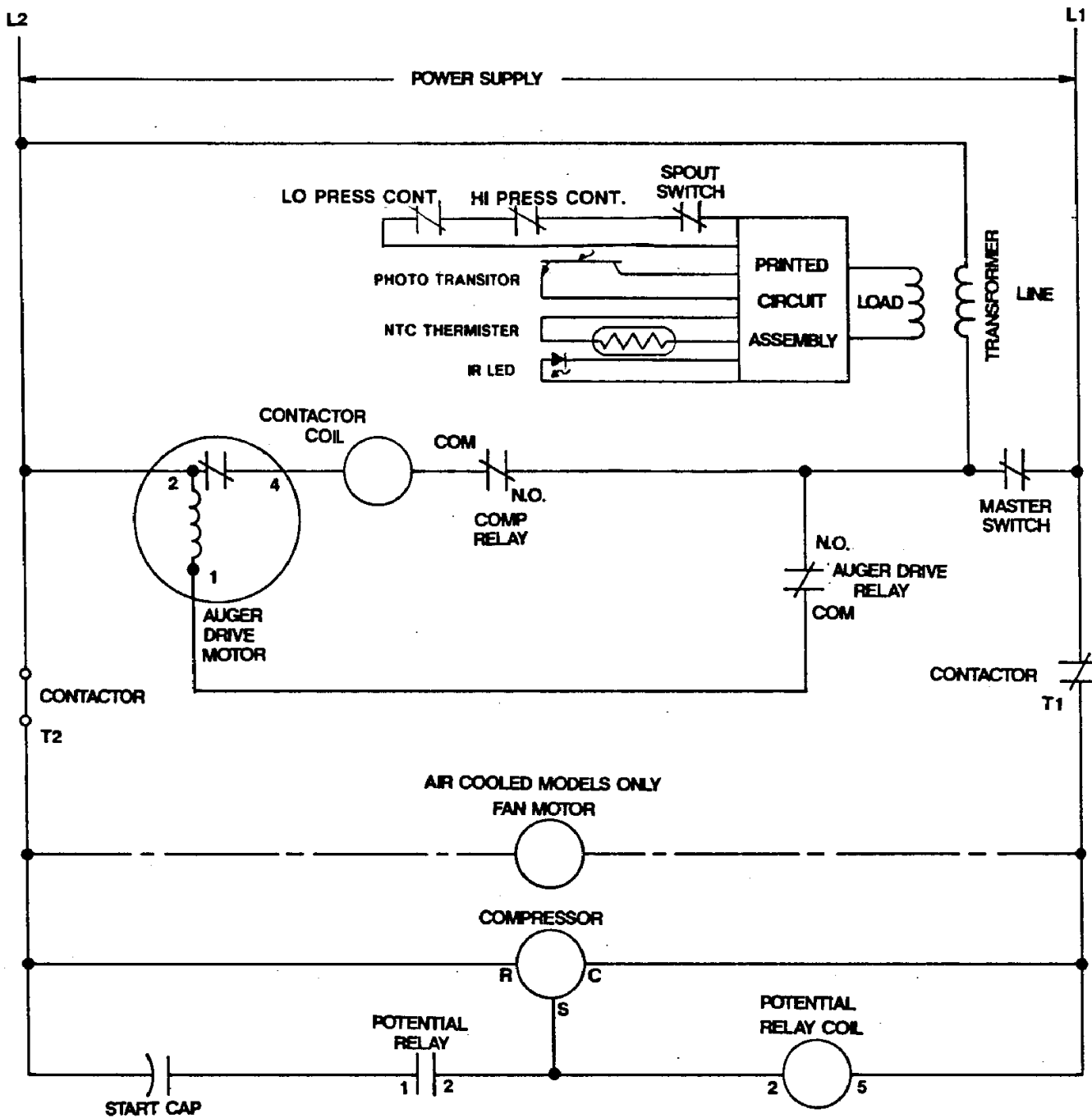
Component Layout Diagram



A33977-001

NS650 SERVICE PARTS

Schematic Diagram



USE COPPER CONDUCTORS ONLY
ALL CONTROLS SHOWN IN NORMAL ICE MAKING MODE
This Unit Must Be Grounded