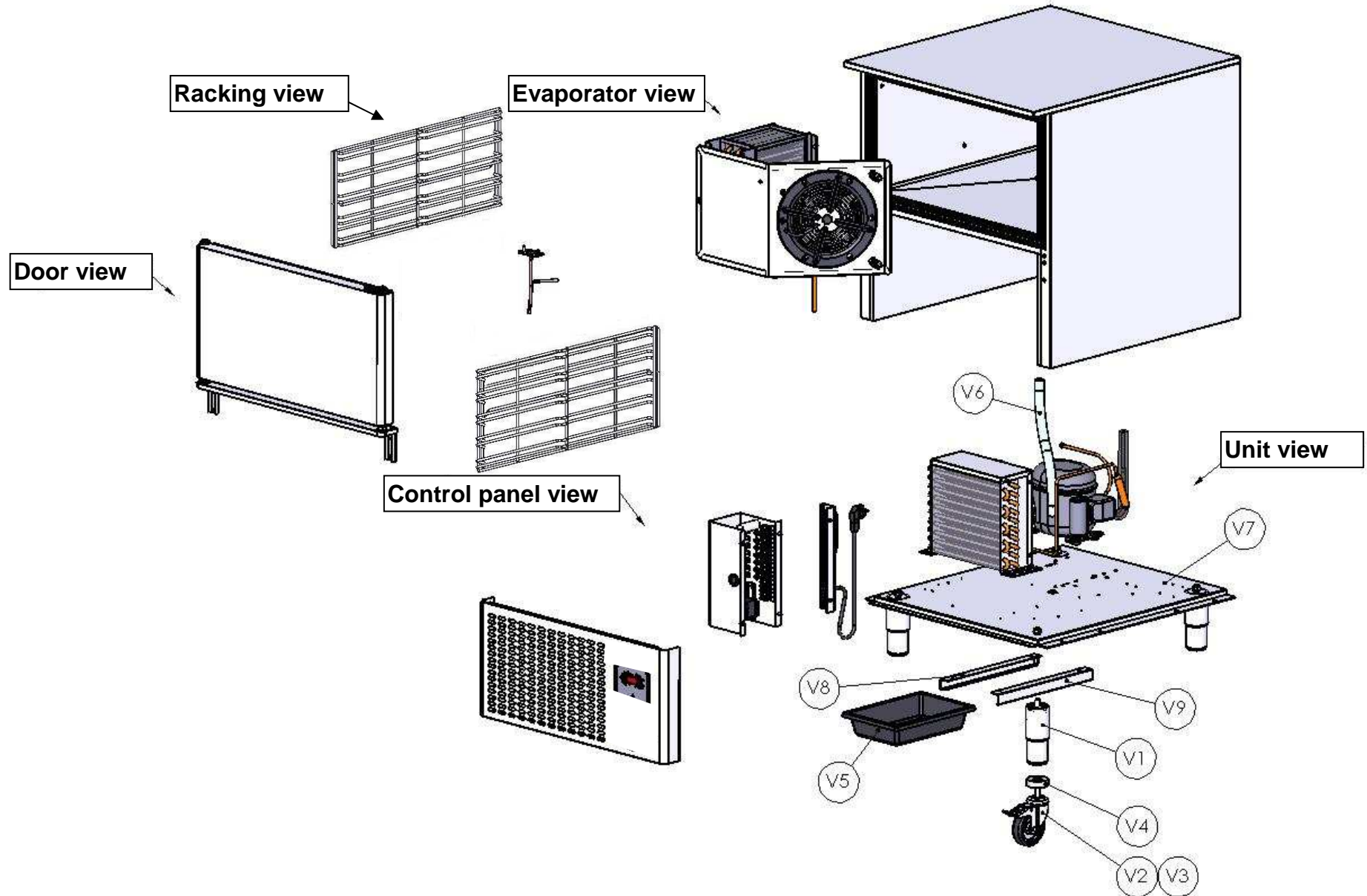
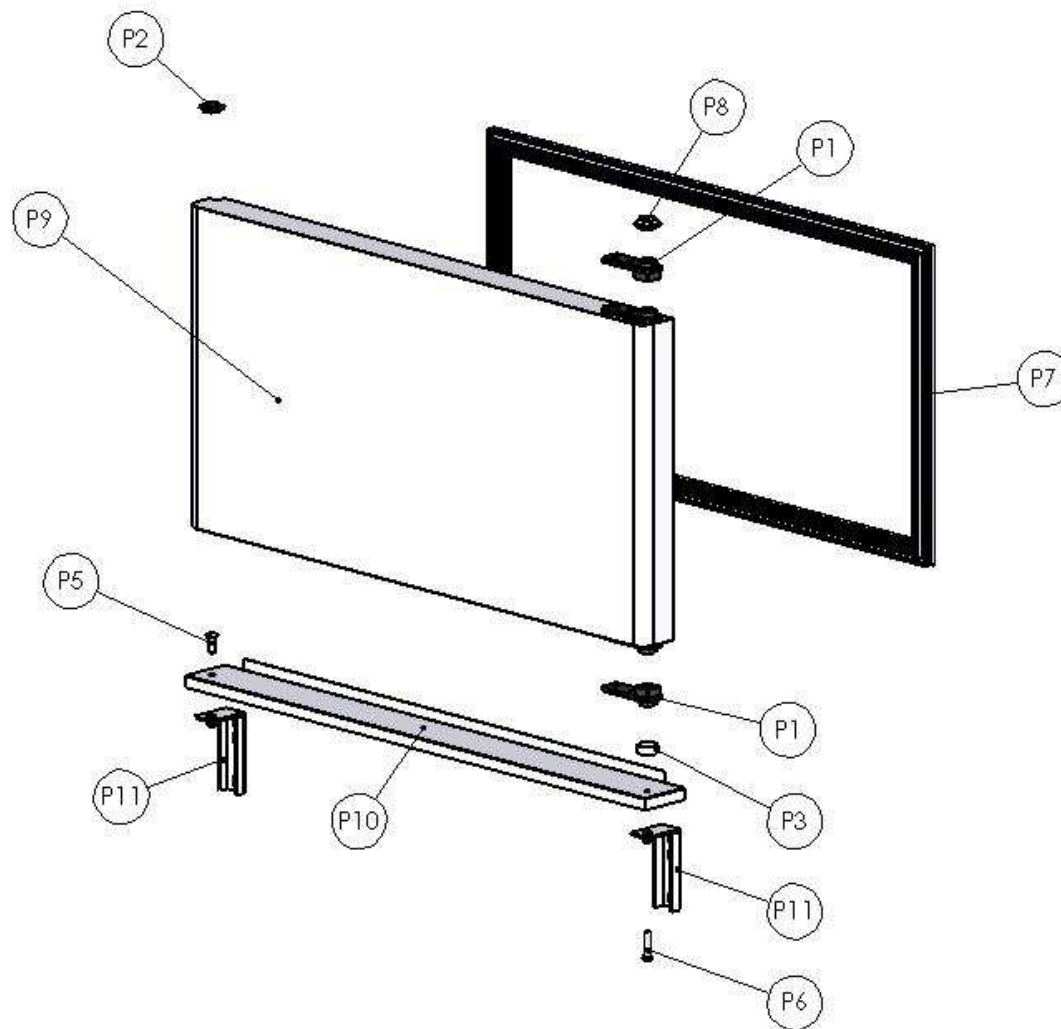
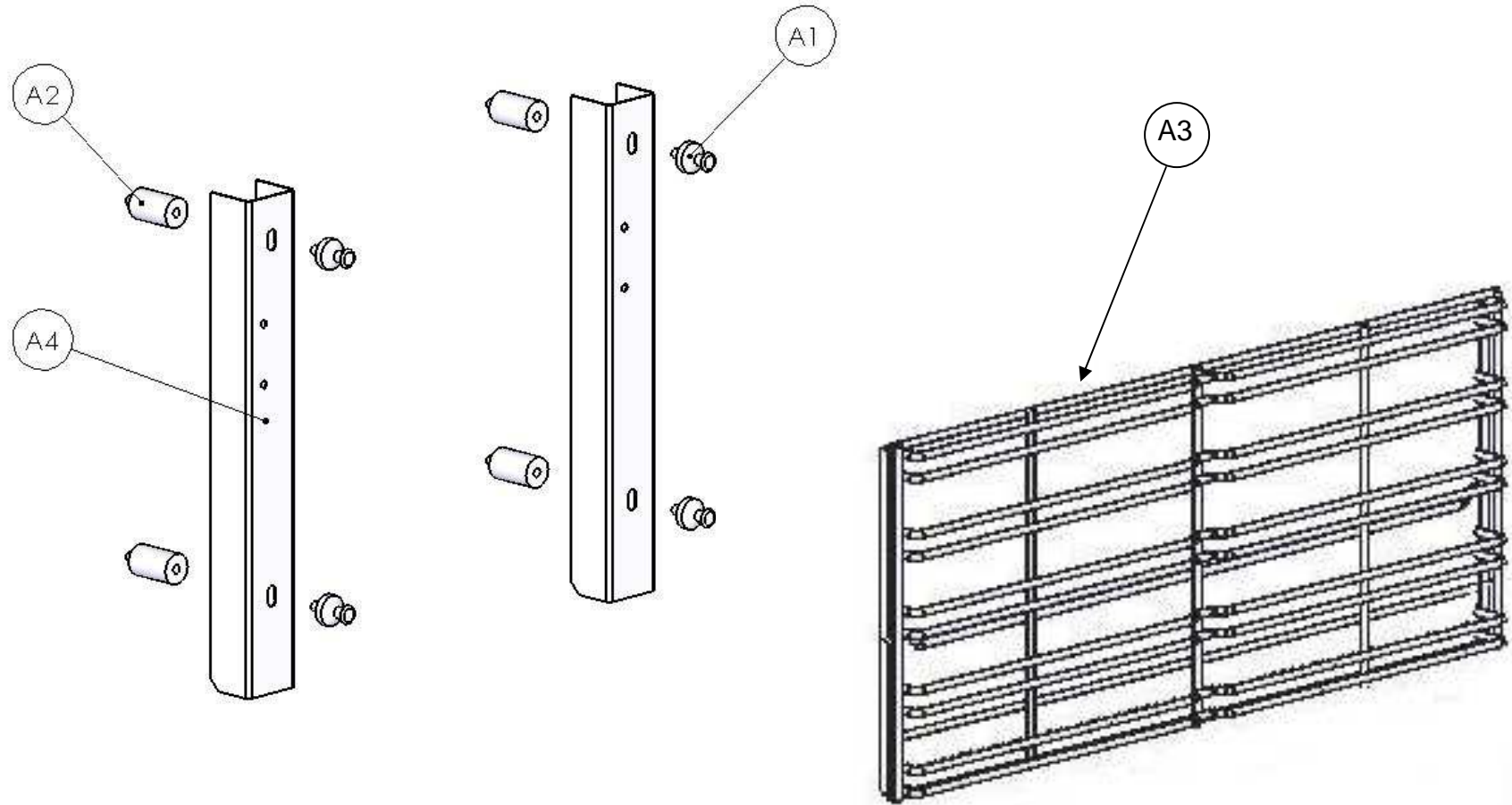


OVERVIEW

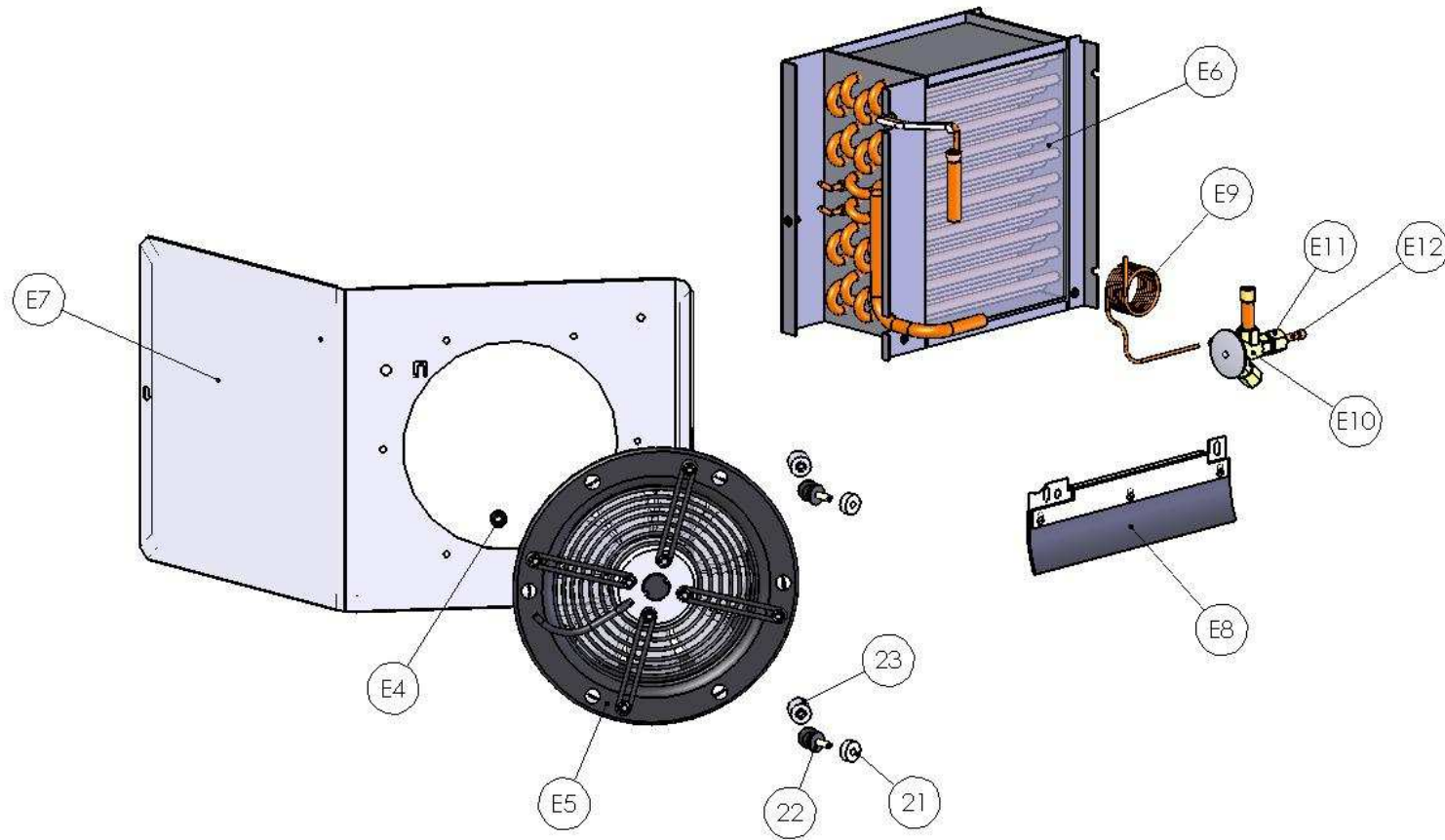




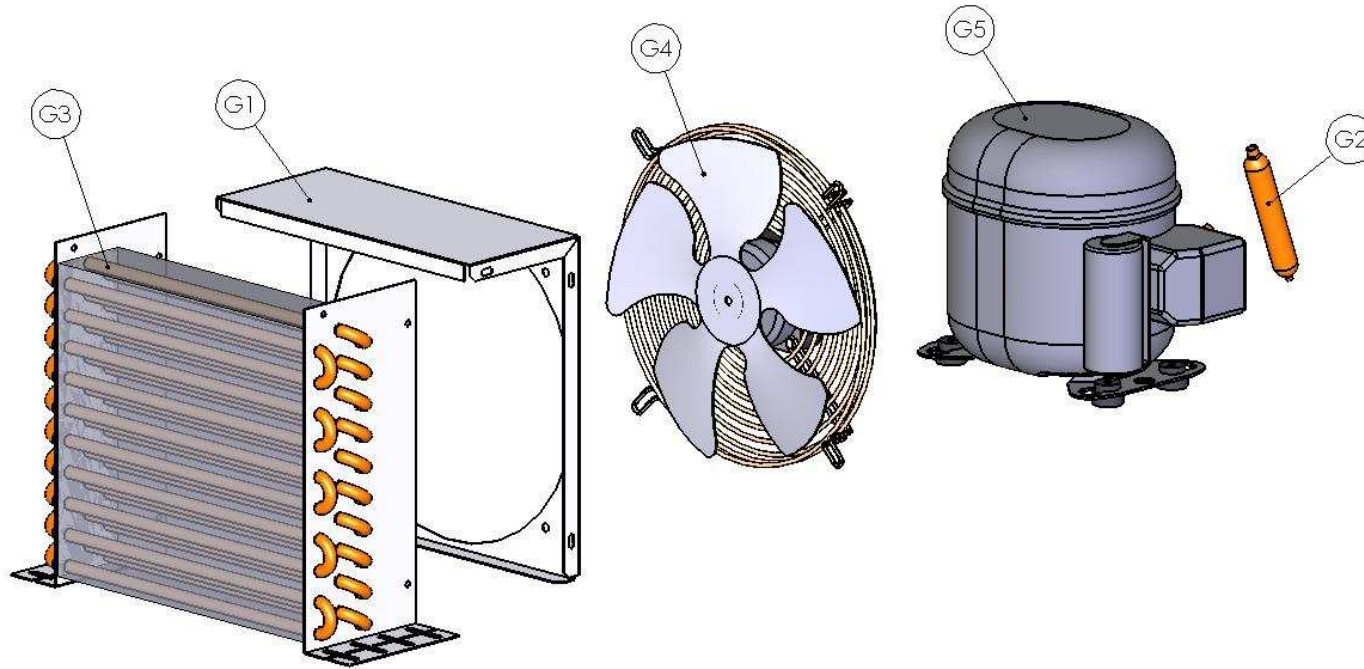
RACKING VIEW



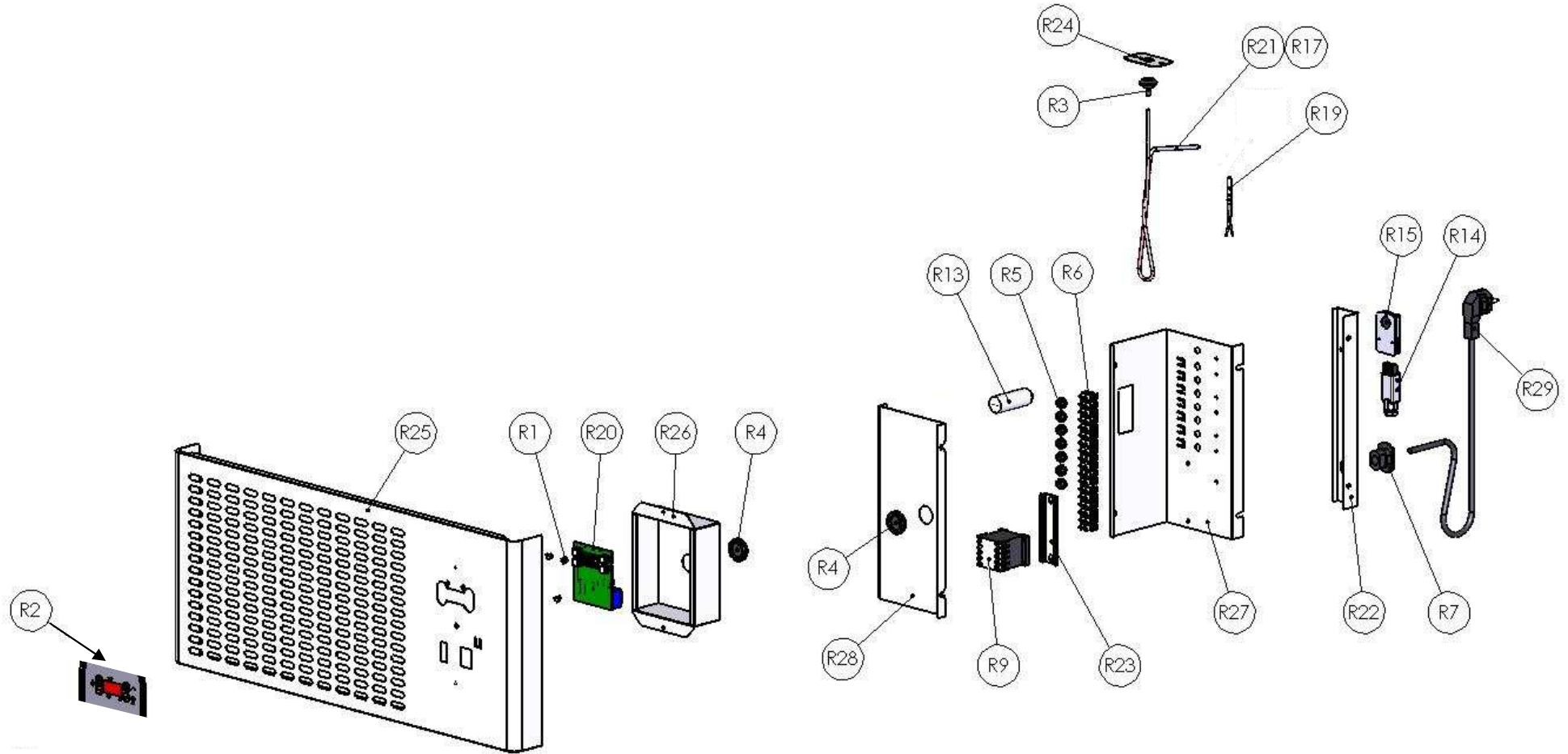
EVAPORATOR VIEW



UNIT VIEW



CONTROL PANEL VIEW



PARTS LIST EUROTEC BLAST CHILLERS

	Rep	Model						Code CIB	DEXION	MBM	FCB	Description
		12/6	20/10	35/15	45/20	60/25	80/40					
Overview	V1	X	X	X	X	X	X	622085	X	X	X	S/S LEGS M12 HT:100 DIA.64
Overview	V2			O	O	O	O	622131	X	X	X	CASTOR DIA.100 WITH BRAKE - GALVANIZED CLEVIS
Overview	V3			O	O	O	O	622132	X	X	X	CASTOR DIA.100 WITHOUT BRAKE - GALVANIZED CLEVIS
Overview		O	O					622133	X	X	X	CASTOR DIA.80 WITH BRAKE - GALVANIZED CLEVIS
Overview		O	O					622134	X	X	X	CASTOR DIA.80 WITHOUT BRAKE - GALVANIZED CLEVIS
Overview		O	O					673783	X	X	X	SPACER CASTORS FIXING 80
Overview	V4			O	O	O	O	638159	X	X	X	SPACER CASTORS FIXING 100 (Drawing 679176)
Overview	V5	X	X	X	X	X	X	638199	X	X	X	VAPORISATION TRAY 220x315x65
Overview	V6	X	X	X	X	X	X	640041	X	X	X	PIPE TUBCLAIR 19x25 (meter)
Overview	V7	X	X	X	X	X	X	670473	X	X	X	UNIT BASE
Overview	V8	X	X	X	X	X	X	673549M	X	X	X	LEFT SLIDE FOR VAPORISATION TRAY BC
Overview	V9	X	X	X	X	X	X	673549N	X	X	X	RIGHT SLIDE FOR VAPORISATION TRAY BC
Overview	V10	X	X					664241A	X	X	X	BACK GRID LS BC (with fixing)
Overview	V10			X	X	X	X	664241B	X	X	X	BACK GRID HS BC(with fixing)
Door	P2	X	X	X	X	X	X	622006	X	X	X	PLUG BPF 7/8
Door	P3	X	X	X	X	X	X	622058	X	X	X	HINGING PACER (Drawing 670431)
Door	P5	X	X	X	X	X	X	625036	X	X	X	SCREW POELIER RL M6x20 S/S
Door	P6	X	X	X	X	X	X	625075	X	X	X	SCREW TH M6x30 S/S
Door	P7	X	X	X	X	X	X	638217	X	X	X	GASKET 703x378 LS.BC
Door	P7	X	X	X	X	X	X	638218	X	X	X	GASKET 703x778 MS.BC
Door	P7	X	X	X	X	X	X	638219	X	X	X	GASKET 703x1123 HS.BC
Door	P8	X	X	X	X	X	X	640053	X	X	X	PASS WIRE PLOCAP PC20
Door	P9	X	X	X	X	X	X	664200G	X	X	X	INSULATED DOOR RIGHT LS BC (With hinging)
Door	P9	X	X	X	X	X	X	664200H	X	X	X	INSULATED DOOR RIGHT MS BC (With hinging)
Door	P9	X	X	X	X	X	X	664200J	X	X	X	INSULATED DOOR RIGHT HS BC (With hinging)
Door	P9	O	O					664200K	X	X	X	INSULATED DOOR LEFT LS BC (With hinging)
Door	P9			O	O			664200L	X	X	X	INSULATED DOOR LEFT MS BC (With hinging)
Door	P9					O	O	664200M	X	X	X	INSULATED DOOR LEFT HS BC (With hinging)
Door	P10	X	X	X	X	X	X	670465	X	X	X	SPAR LOWER DOOR BC
Door	P11	X	X	X	X	X	X	687919M	X	X	X	HINGING SUPPORT BC
Racking	A1	X	X	X	X	X	X	622012	X	X	X	RACK AXIS (Drawing 674075)
Racking	A2	X	X	X	X	X	X	622061	X	X	X	SPACER AXIS (Drawing 670519)
Racking		X	X					635052	X	X	X	RACK 5 LEVELS
Racking				X	X			635053	X	X	X	RACK 10 LEVELS
Racking						X	X	635054	X	X	X	RACK 15 LEVELS
Racking	A4	X	X					673818	X	X	X	SPACER LS RACKING BC
Racking	A4			X	X			673819	X	X	X	SPACER MS RACKING BC
Racking	A4					X	X	673820	X	X	X	SPACER HS RACKING BC
Evap	E1	X	X	X	X	X	X	622059	X	X	X	SPACER RING ALI (Drawing 670517)
Evap	E2	X	X	X	X	X	X	622060	X	X	X	AXIS ALI (Drawing 670518)
Evap	E3	X	X	X	X	X	X	640020	X	X	X	DAMPER PAULSTRA 521201
Evap	E4	X	X	X	X	X	X	640055	X	X	X	PASS WIRE D80/100/15
Evap	E5	X						645221	X	X	X	FAN 25W/200 (with grid & capacitor)
Evap	E5		X	X	X	X	X	645155	X	X	X	FAN 25W/250 (with grid & capacitor)
Evap	E6	X	X					652003	X	X	X	EVAPORATOR 6N10T (Drawing 670501)
Evap	E6			X	X			652004	X	X	X	EVAPORATOR 4N25T (Drawing 670502)
Evap	E6					X	X	652005	X	X	X	EVAPORATOR 4N38T(Drawing 670503)

PARTS LIST EUROTEC BLAST CHILLERS

	Rep	Model						Code CIB	DEXION	MBM	FCB	Description
		12/6	20/10	35/15	45/20	60/25	80/40					
Evap	E7	X						673756	X	X	X	BAFFLE EVAPORATOR LS 1 FAN 200 BC
Evap	E7		X					670341	X	X	X	BAFFLE EVAPORATOR LS 1 FAN 250 BC
Evap	E7			X				673757	X	X	X	BAFFLE EVAPORATOR MS 1 FAN 250 BC
Evap	E7				X			670342	X	X	X	BAFFLE EVAPORATOR MS 2 FAN 250 BC
Evap	E7					X		673758	X	X	X	BAFFLE EVAPORATOR HS 2 FAN 250 BC
Evap	E7						X	670343	X	X	X	BAFFLE EVAPORATOR HS 3 FAN 250 BC
Evap	E8	X	X					686369	X	X	X	BAFFLE SET EVAPORATOR LS BC
Evap	E8			X	X			686370	X	X	X	BAFFLE SET EVAPORATOR MS BC
Evap	E8					X	X	686371	X	X	X	BAFFLE SET EVAPORATOR HS BC
Evap	E9	X						688977	X	X	X	CAPILLARY 10/10 Lg.2M00 Blue
Evap	E10	X	X	X	X	X	X	651126	X	X	X	THERMOSTATIC EXPANSION VALVE TISE SAD-20
Evap	E11	X	X					651135	X	X	X	EXPANSION VALVE ORIFICE N°0
Evap	E11			X	X			651136	X	X	X	EXPANSION VALVE ORIFICE N°1
Evap	E11					X		651138	X	X	X	EXPANSION VALVE ORIFICE N°3
Evap	E11						X	651139	X	X	X	EXPANSION VALVE ORIFICE N°4
Evap	E12	X	X	X				651161	X	X	X	ADAPTOR EXPANSION VALVE 1/4"
Evap	E12				X	X	X	651160	X	X	X	ADAPTOR EXPANSION VALVE 3/8"
Unit	G1	X						646226	X	X	X	VENTURI CONDENSOR 270
Unit	G1		X					646227	X	X	X	VENTURI CONDENSOR 270 25W
Unit	G1			X	X	X		670646	X	X	X	VENTURI 300 CONDENSOR 3N18T
Unit	G1						X	670647	X	X	X	VENTURI 400 CONDENSOR 3N18T
Unit	G2	X						651021	X	X	X	DESHYDRATOR 15 GRS (In case of after sale service, it is preferable to use a solid dehydrator cartridge)
Unit	G2		X	X	X			651022	X	X	X	DESHYDRATOR 30 GRS (In case of after sale service, it is preferable to use a solid dehydrator cartridge)
Unit	G2					X	X	651018	X	X	X	DESHYDRATOR FDB 083S
Unit	G3	X						652056	X	X	X	CONDENSOR 103270 (Drawing 674236)
Unit	G3		X					652057	X	X	X	CONDENSOR 104270 (Drawing 674237)
Unit	G3			X	X	X	X	652072	X	X	X	CONDENSOR DC3S2GD 3N18T (Drawing 670516)
Unit	G4	X						653072	X	X	X	FAN 10W/254 (with grid & fan)
Unit	G4		X					653073	X	X	X	FAN 25W/254 (avec grille et fan)
Unit	G4			X	X	X		653075	X	X	X	FAN 25W/300 (avec grille et fan)
Unit	G4						X	653124	X	X	X	FAN 3CFR 400 (avec grille et fan)
Unit	G5	X						653153	X	X	X	COMPRESSOR ML80FB 3/8CV R404A 230V-50Hz
Unit	G5		X					653155	X	X	X	COMPRESSOR MP14FB 1/2CV R404A 230V-50Hz
Unit	G5			X				653215	X	X	X	COMPRESSOR MX23FB 7/8CV R404A 230V-50Hz (with junction box & capacitor)
Unit	G5				X			653216	X	X	X	COMPRESSOR MS34FB 1CV R404A 230V-50Hz (with junction box & capacitor)
Unit	G5					X		653217	X	X	X	COMPRESSOR FH2480Z 2CV R404A 230V-50Hz (with heater housing junction box & capacitor)
Unit	G5						X	653088	X	X	X	COMPRESSOR TAG2516Z 4CV R404A 400V-50Hz (with heater housing)
Unit	G6			X				653215A	X	X	X	HOUSING COMPRESSOR MX23FB (with capacitor)
Unit	G6				X			653216A	X	X	X	HOUSING COMPRESSOR MS34FB (with capacitor)
Unit	G6					X		653217A	X	X	X	HOUSING COMPRESSOR FH2480Z (with capacitor)
Unit	G7					X		653217B	X	X	X	HEATER HOUSING FH2480Z

**PARTS LIST
EUROTEC BLAST CHILLERS**

	Rep	Model						Code CIB	DEXION	MBM	FCB	Description
		12/6	20/10	35/15	45/20	60/25	80/40					
Unit	G7						X	653088A	X	X	X	HEATER HOUSING TAG2516Z
Unit	G8	X	X	X	X	X	X	622059	X	X	X	SPACER RING ALI (Drawing 670517)
Unit	G9	X	X	X	X	X	X	622060	X	X	X	AXIS ALI (Drawing 670518)
Unit	G10			X	X	X	X	625058	X	X	X	TRIANGULAR HEAD SCREW D32 M6x15
Unit	G11	X	X	X	X	X	X	640020	X	X	X	DAMPER PAULSTRA 521201
Unit	G12			X	X			653118	X	X	X	RECEIVER 0,7L
Unit	G12					X	X	653119	X	X	X	RECEIVER 2,2L
Unit	G13					X	X	670649	X	X	X	PRESSURE SWITCH SUPPORT
Unit	G14					X	X	651032	X	X	X	PRESSURE SWITCH PS1 A5A (HP)
Control panel	R1	X	X	X	X	X	X	622228	X	X	X	SPACER M3x6,8 (Drawing 670015)
Control panel	R2	X	X	X	X	X	X	638451	X			LABEL CTRL PANEL DEXION 150x170 Drawing 673798
Control panel	R2	X	X	X	X	X	X	638452		X		LABEL CTRL PANEL MBM 150x170 Drawing 673799
Control panel	R2	X	X	X	X	X	X	638453			X	LABEL CTRL PANEL FCB 150x170 Drawing 673800
Control panel	R3	X	X	X	X	X	X	640052	X	X	X	PASS WIRE
Control panel	R4	X	X	X	X	X	X	640054	X	X	X	PASS WIRE MEMBRANE DG21
Control panel	R5	X	X	X	X	X	X	640055	X	X	X	PASS WIRE D80/100/15
Control panel	R6	X	X	X	X	X	X	645056	X	X	X	EDGE CONNECTOR PA44 16A 4mm2 (provided in strip of 12 plots)
Control panel	R7	X	X	X	X	X	X	645058	X	X	X	WIRE POWER END
Control panel	R9		X	X				645104	X	X	X	CONTACTOR LC1K0910M7
Control panel	R9				X	X	X	645102	X	X	X	CONTACTOR LC1D12M7
Control panel	R10						X	645115	X	X	X	THERMAL RELAY LRD14
Control panel	R13	X	X	X	X	X	X	645221A	X	X	X	CAPACITOR FAN 15W200
Control panel	R13	X	X	X	X	X	X	645155A	X	X	X	CAPACITOR FAN 25W250
Control panel	R14	O	O	O	O	O	O	645513	X	X	X	3 POLES PANEL PLUG (option HACCP plug)
Control panel	R15	O	O	O	O	O	O	645514	X	X	X	3 POLES FEMALE PLUG (option HACCP plug)
Control panel	R17	O	O	O	O	O	O	651175	X	X	X	CORE PROBE PTC+NTC Drawing 670160 (option HACCP plug)
Control panel	R19	X	X	X	X	X	X	651194	X	X	X	CONTROL PROBE PTC Lg 2,5m (ambient card front)
Control panel	R20	X	X	X	X	X	X	651205	X	X	X	BESPOKE
Control panel	R21	X	X	X	X	X	X	651208	X	X	X	CORE PROBE PTC (Drawing 673742)
Control panel	R22	X	X					670475M	X	X	X	END WIRE SUPPORT LS BC
Control panel	R22			X	X	X	X	670475N	X	X	X	END WIRE SUPPORT HS BC
Control panel	R23		X	X	X	X	X	670654P	X	X	X	DIN RAIL Lg 106
Control panel	R24	X	X	X	X	X	X	670773M	X	X	X	SHEET CORE PROBE
Control panel	R25	X	X					673796	X	X	X	CONTROL PANEL GRID LS BC DEXION
Control panel	R25			X	X	X	X	673797	X	X	X	CONTROL PANEL GRID HS BC DEXION
Control panel	R26	X	X	X	X	X	X	673755	X	X	X	HOOD HORIZONTAL CONTROL BC
Control panel	R27	X	X					673804	X	X	X	ELECTRICAL PANEL LS BC
Control panel	R27			X	X	X	X	673805	X	X	X	ELECTRICAL PANEL HS BC
Control panel	R28	X	X					673806	X	X	X	HOOD LS ELECTRICAL PANEL BC
Control panel	R28			X	X	X	X	673807	X	X	X	HOOD HS ELECTRICAL PANEL BC
Control panel	R29	X	X	X	X	X		679845	X	X	X	WIRE POWER 1~230V+T 10A
Control panel	R29						X	679846	X	X	X	WIRE POWER 3N~430V+T

X standard
O Option

LS: LOW SHELL
MS: MEDIUM SHELL
HS: HIGHT SHELL
BC: BLAST CHILLER