

CM650 Parts List

Table of Contents

Cabinet Exterior

Cabinet Interior

Air Cooled Refrigeration

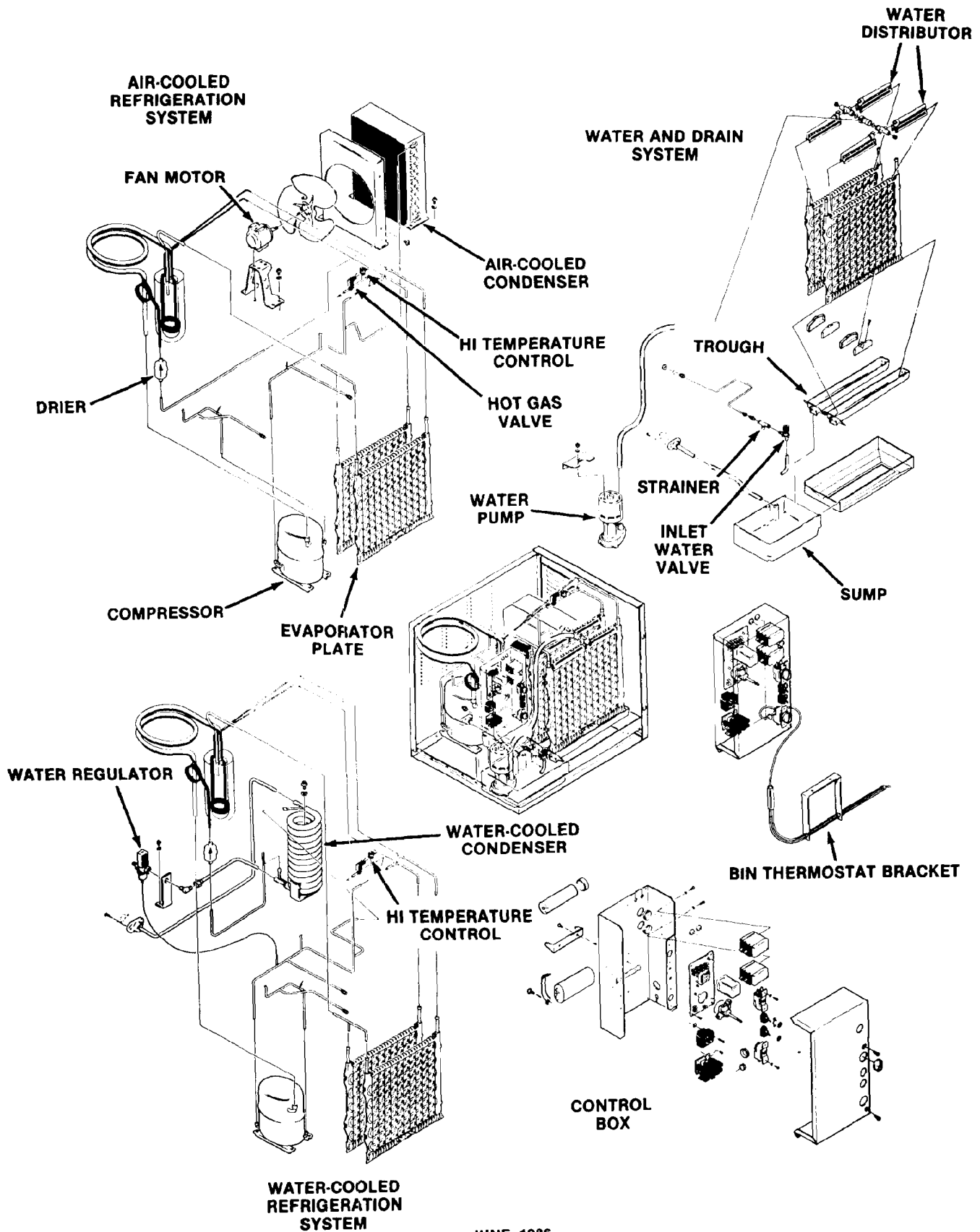
Water Cooled Refrigeration

Water System

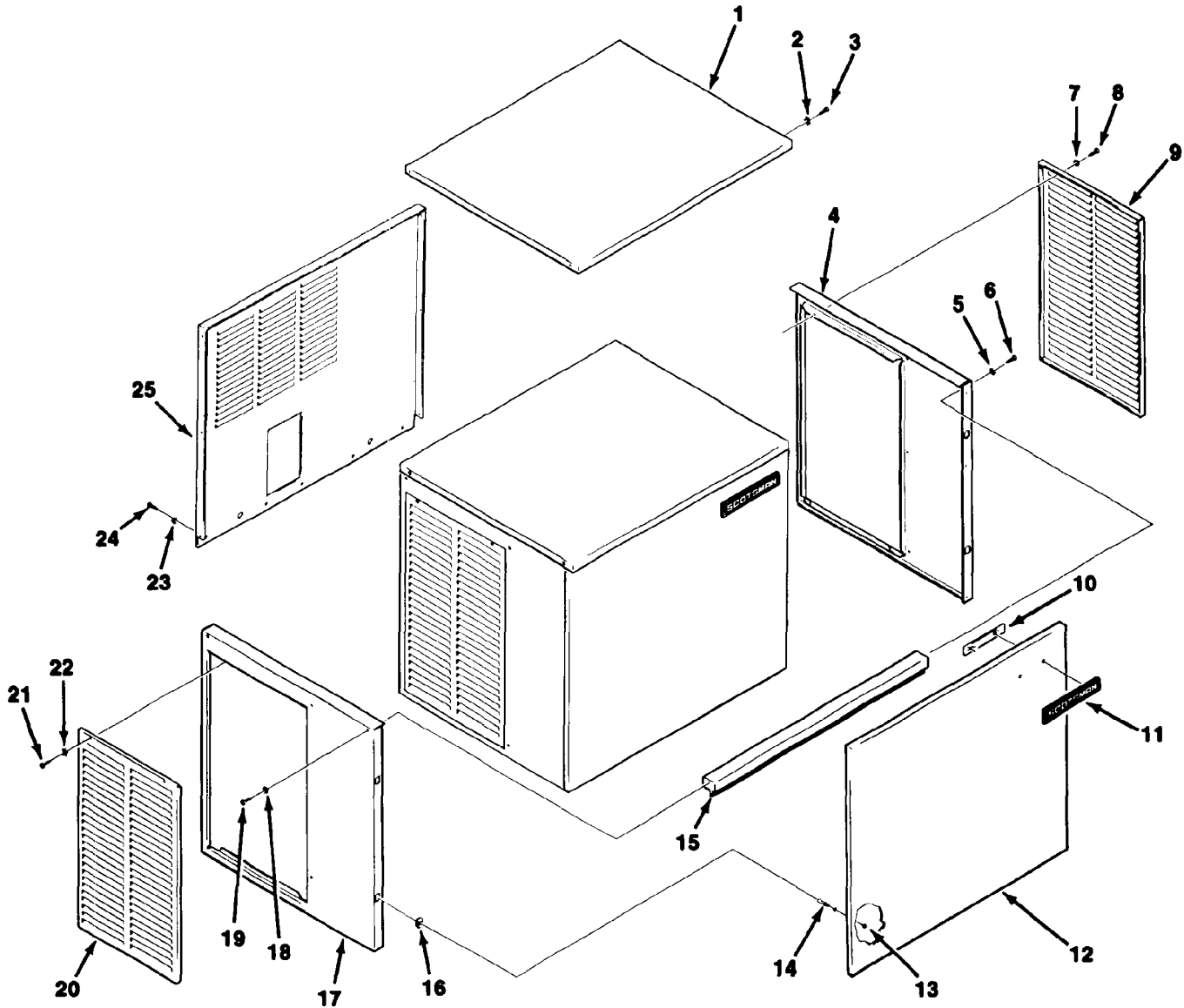
Control Box

Wiring Diagrams

CM650 THE PARTS ILLUSTRATIONS AND PARTS LISTS



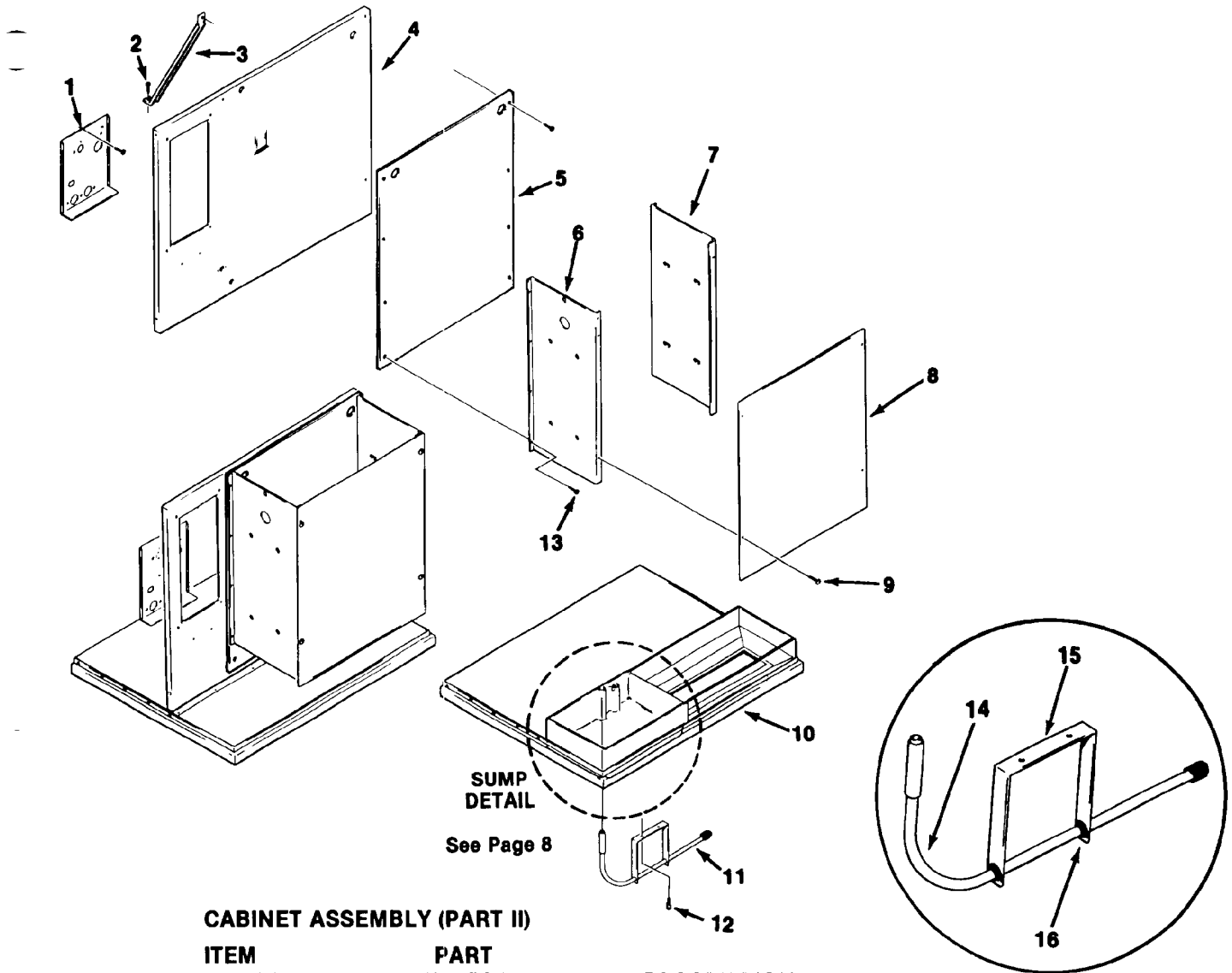
CM650 THE PARTS ILLUSTRATIONS AND PARTS LISTS



CABINET ASSEMBLY (PART I)

ITEM NUMBER	PART NUMBER		DESCRIPTION	ITEM NUMBER	PART NUMBER		DESCRIPTION
	"A" & "C"	"D"			"A" & "C"	"D"	
1	A31084-001	A32159-001	Top Panel, Enamel	13	03-1406-04	Same	Nut
	A31084-002	A32159-002	Top Panel, Stainless Steel	14	15-0411-00	Same	Strike
2	03-1417-03	Same	Lockwasher	15	No Number	A32169-001	Front Support
3	03-1531-01	Same	Screw, #8-32	16	02-0836-00	Same	Cabinet Catch
4	A31086-001	A32162-001	End Panel (Right), Enamel	17	A31085-001	A32163-001	End Panel (Left), Enamel
	A31086-002	A32162-002	End Panel (Right), Stainless Steel		A31085-002	A32163-002	End Panel (Left), Stainless Steel
5	03-1417-03	Same	Lockwasher	18	03-1417-03	Same	Lockwasher
6	03-1531-01	Same	Screw	19	03-1531-01	Same	Screw
7	03-1417-03	Same	Lockwasher	20	A31242-001	A32161-001	Service Panel, Enamel
8	03-1404-12	Same	Screw		A31242-002	A32161-002	Service Panel, Stainless Steel
9	A31242-001	A32161-001	Service Panel, Enamel	21	03-1404-12	Same	Screw
	A31242-002	A32161-002	Service Panel, Stainless Steel	22	03-1412-03	Same	Lockwasher
10	03-0271-00	Same	Speed Nut	23	03-1417-03	Same	Lockwasher
11	15-0711-01	Same	Emblem	24	03-1531-01	Same	Screw
12	A30900-001	A32160-001	Front Panel, Enamel	25	A31048-001	A32202-001	Back Panel, F.A.
	A30900-002	A32160-002	Front Panel, Stainless Steel				

CM650 THE PARTS ILLUSTRATIONS AND PARTS LISTS

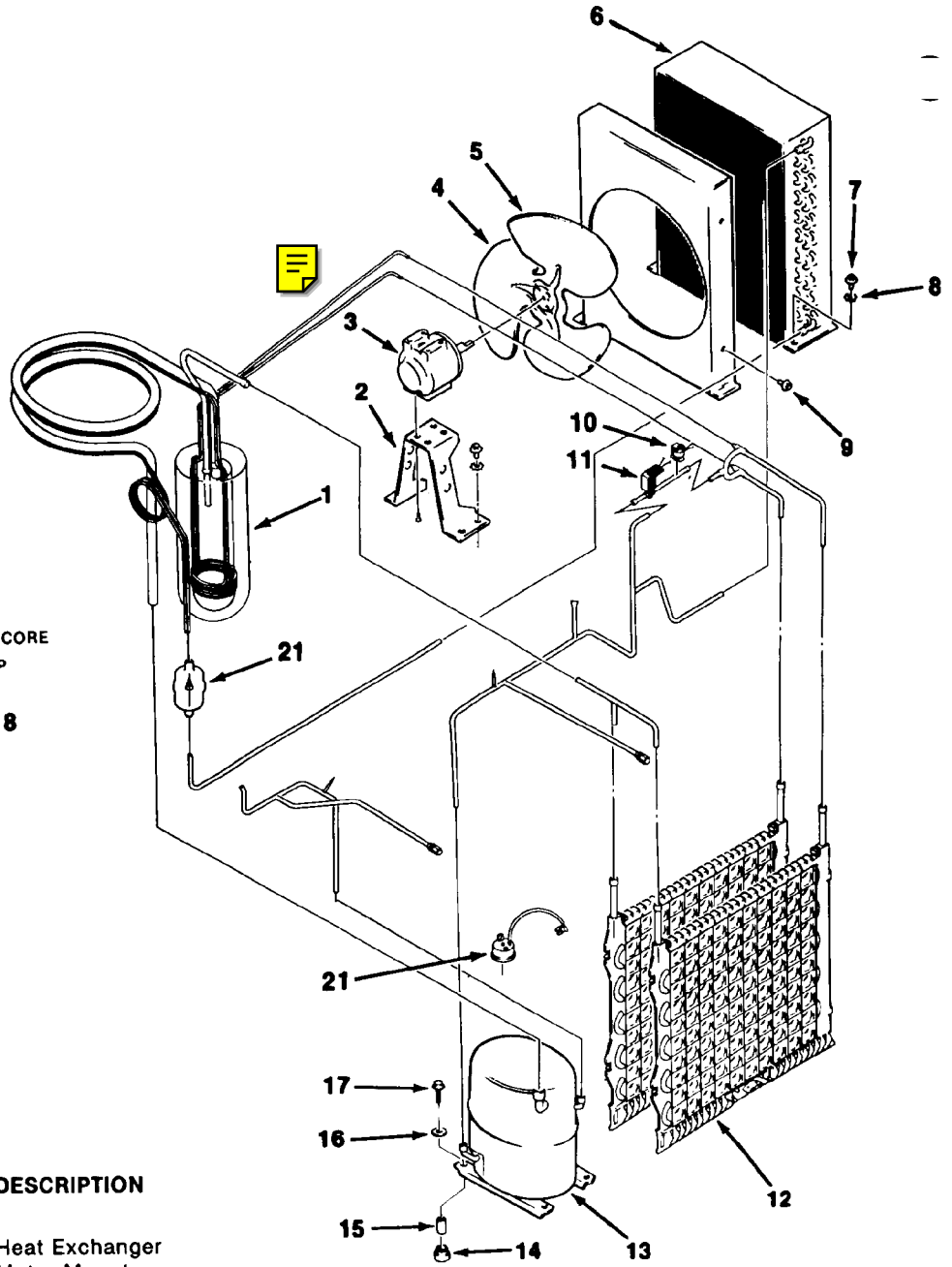


CABINET ASSEMBLY (PART II)

ITEM NUMBER	PART NUMBER		DESCRIPTION
	"A" & "C"	"D"	
1	A31874-001	A32166-001	Junction Box Bracket
2	Same	03-1645-01	Screw
3	A30906-001	A32210-001	Support Brace
4	A31151-001	A32157-001	Retainer F.A.
5	02-2810-01	02-2867-01	Splash Panel
6	A31080-001	A32172-001	Evaporator Bracket (Right)
7	A31082-001	A32173-001	Evaporator Bracket (Left)
8	A30897-001	A32165-001	Evaporator Plate Cover
9	03-0727-09	Same	Thumbscrew
10	No Number	A32153-001	Base
11	A31099-001	See Detail "D"	Bin Thermostat Bracket
12	03-0727-05	03-0727-09	Thumbscrew
13	No Number	03-1531-002	Screw
14	No Number	A32261-001	Tube Bin Thermostat
15	No Number	A31104-001	Bracket
16	No Number	13-0116-00	Grommet

DETAIL
"D" MODEL

CM650 THE PARTS ILLUSTRATIONS AND PARTS LISTS



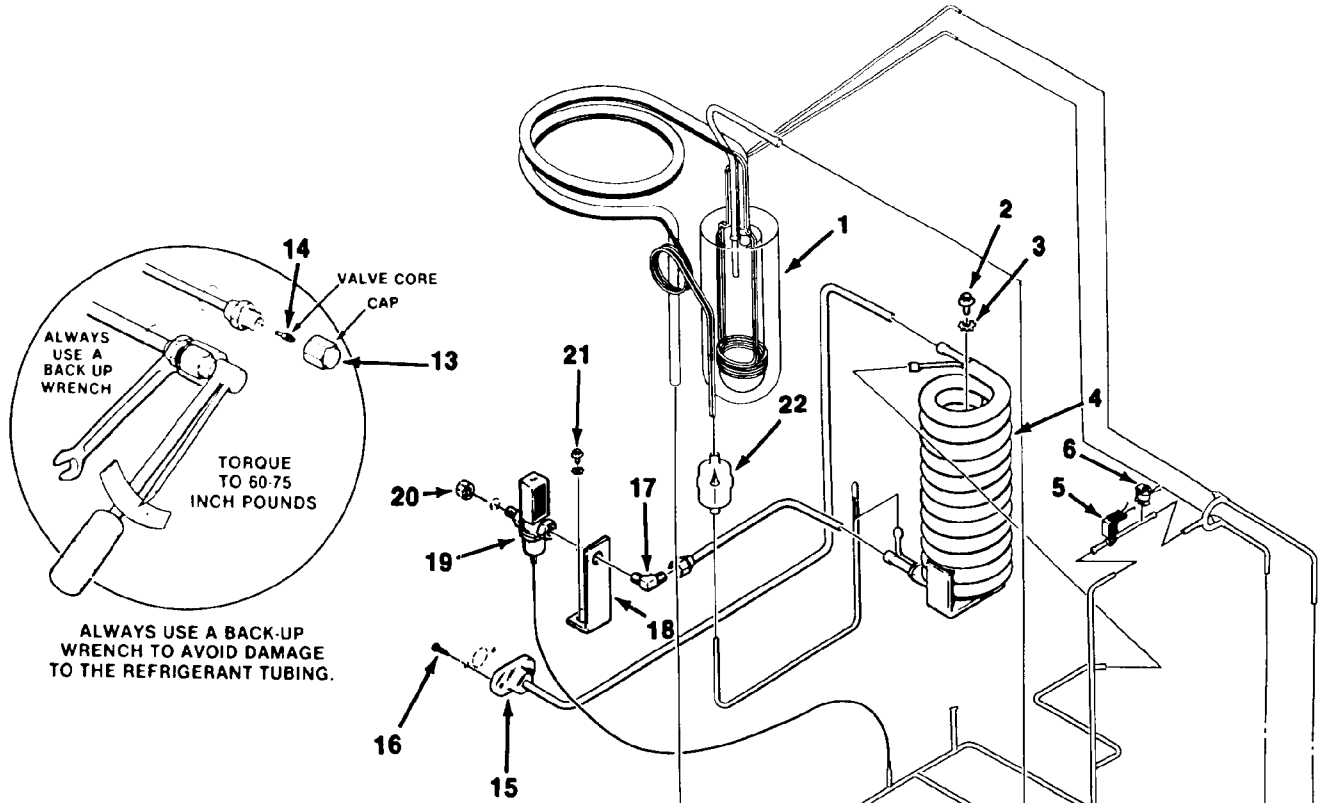
ALWAYS USE A BACK-UP WRENCH
TORQUE TO 60-75 INCH POUNDS
ALWAYS USE A BACK-UP WRENCH TO AVOID DAMAGE TO THE REFRIGERANT TUBING.

AIR-COOLED REFRIGERATION SYSTEM

ITEM NUMBER	PART NUMBER		DESCRIPTION
	"A" & "C"	"D"	
1	A31075-020	A32174-020	Heat Exchanger
2	18-3739-01	Same	Motor Mount
3	18-5105-02	Same	Fan Motor
4	18-3732-01	Same	Fan Blade
5	A30985-001	A32170-001	Shroud
6	18-3709-01	Same	Condenser
7	03-1405-03	03-1645-01	Screw, 1/4-20 x 1/2
8	03-1410-03	Same	Lockwasher
9	03-1404-29	Same	Screw, #8-32
10	12-2300-03	Same	Hi Temperature Cut-out
11	12-2135-02	Same	Hot Gas Solenoid & Coil
12	A30296-020	Same	Evaporator Plate
13	18-5600-02	Same	Compressor (208-230/60/1)
	18-5800-03	Same	Compressor (208-230/60/3)

ITEM NUMBER	PART NUMBER		DESCRIPTION
	"A" & "C"	"D"	
14	18-2200-28	18-2200-28	Mounting Grommet
15	18-2200-27	18-2200-27	Sleeve
16	03-1407-07	Same	Washer
17	03-1405-15	03-1405-20	Screw
18	16-0563-00	Same	Valve Cap
19	16-0560-00	Same	Valve Core
20	02-2426-02	Same	Drier Filter
21	18-5600-51	Same	Overload for 18-5600-02 Compressor

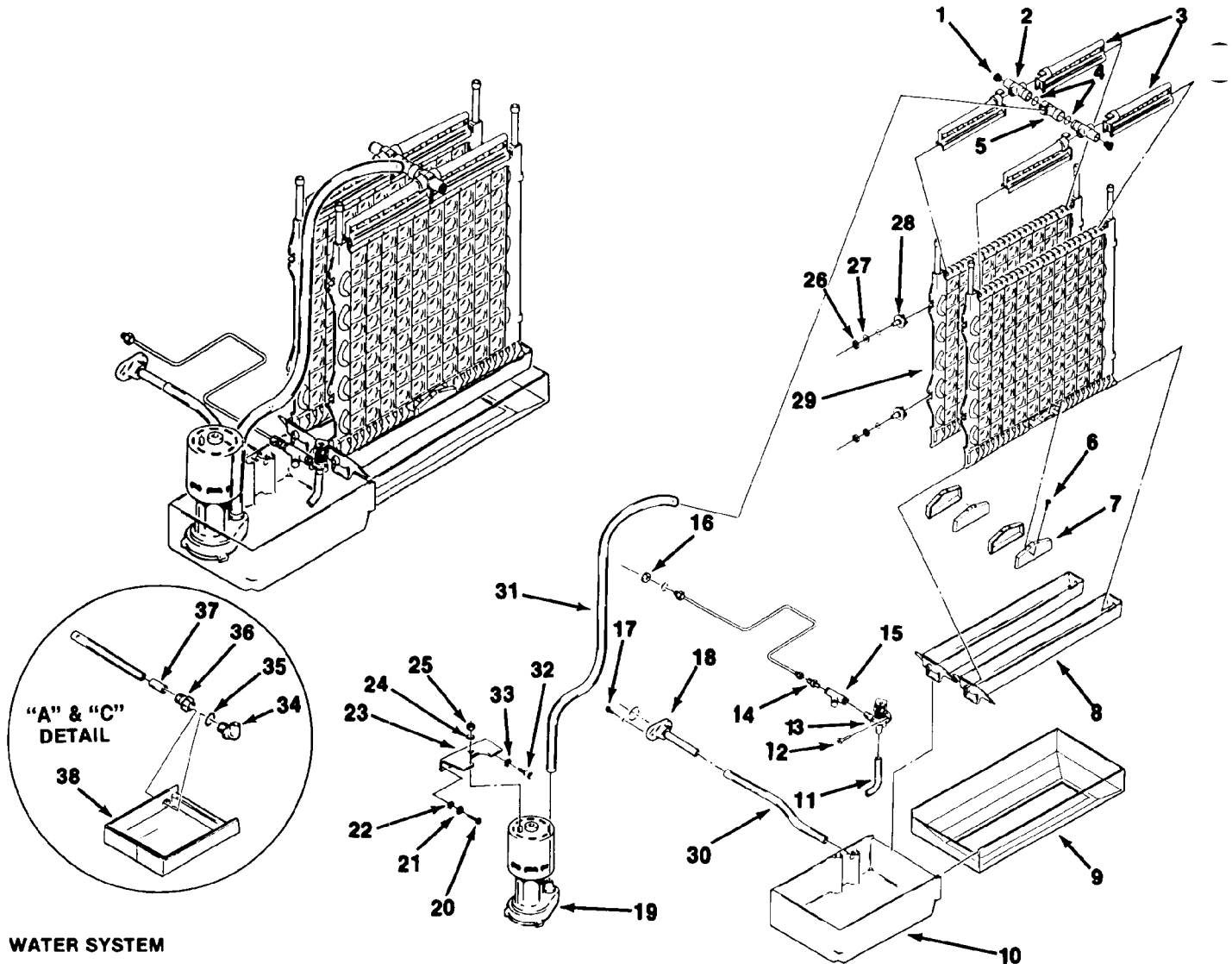
CM650 THE PARTS ILLUSTRATIONS AND PARTS LISTS



WATER-COOLED REFRIGERATION SYSTEM

ITEM NUMBER	PART NUMBER		DESCRIPTION
	"A" & "C"	"D"	
1	A31075-020	A32174-020	Heat Exchanger
2	03-1405-17	03-1645-01	Screw, 1/4-20 x 1/2
3	03-1407-07	No Number	Lockwasher
4	18-3306-03	Same	Condenser
5	12-2135-02	Same	Hot Gas Valve & Coil
6	12-2300-03	12-2300-03	Hi Temperature Cut-Out
7	A30296-020	Same	Evaporator Plate
8	18-5600-02	Same	Compressor (208-230/60/1)
	18-5800-03	Same	Compressor (208-230/60/3)
9	18-2200-28	18-2200-28	Mounting Grommet
10	18-2200-27	18-2200-27	Sleeve
11	03-1407-07	Same	Washer, 5/16
12	03-1405-15	03-1405-20	Screw, 5/16-18
13	16-0563-00	Same	Valve Cap
14	16-0560-00	Same	Valve Core
15	A31881-001	A32227-001	Drain Fab Assembly (Water-Cooled)
16	03-1645-01	03-1403-14	Screw
17	No Number	16-0401-02	Brass Elbow
18	No Number	Same	Bracket
19	11-0424-01	Same	Water Regulator Valve
20	03-1394-01	Same	Pal Nut
21	03-1403-14	Same	Screw, #8 x 3/16
22	02-2426-02	Same	Drier Filter
23	18-5600-51	Same	Overload for 18-5600-02 Compressor

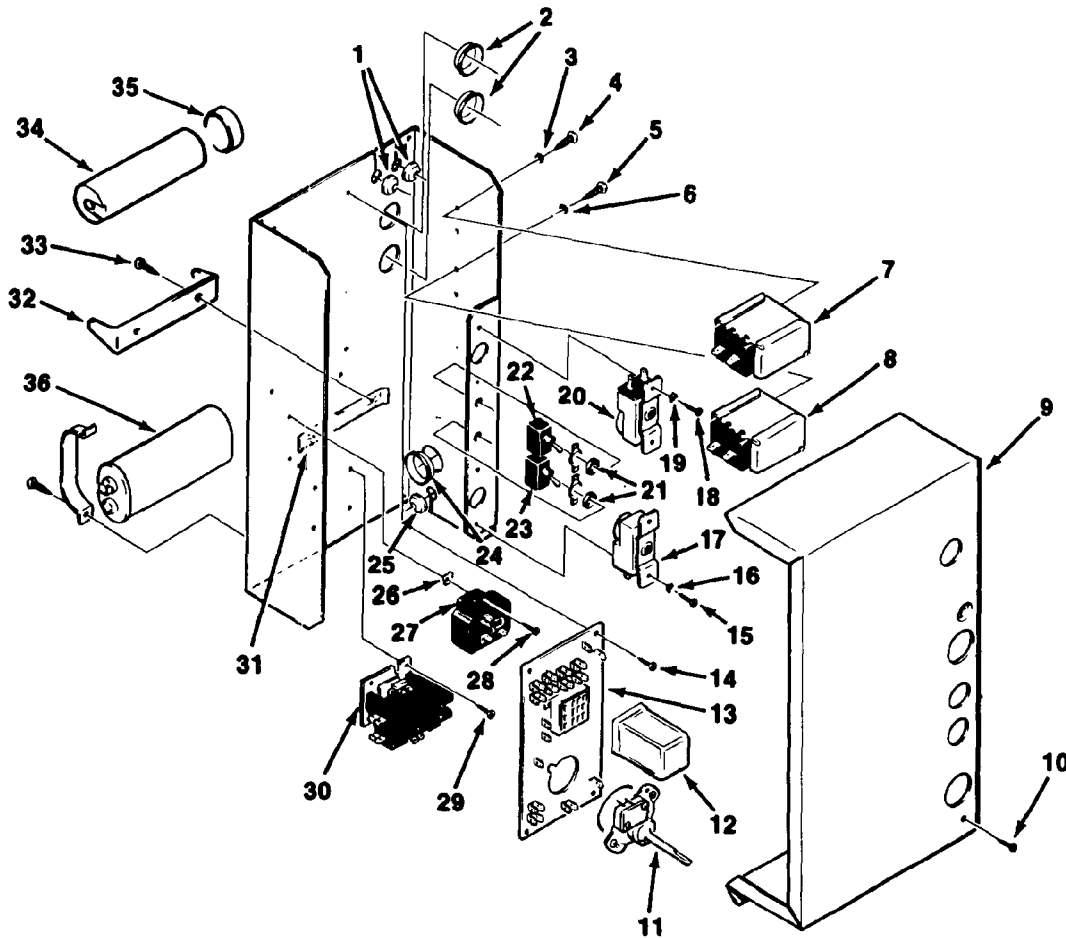
CM650 THE PARTS ILLUSTRATIONS AND PARTS LISTS



WATER SYSTEM

ITEM NUMBER	PART NUMBER		DESCRIPTION				
	"A" & "C"	"D"					
1	13-0840-01	Same	Manifold Hole Plug	19	12-2265-22	Same	Water Pump Assembly
2	A29703-001	Same	Manifold Water Tube	20	Same	03-1403-17	Screw, #8-32 x 3/8"
3	02-2527-01	Same	Water Distributor Tube	21	Same	03-1407-03	Washer
4	13-0617-48	Same	O-Ring (2)	22	Same	03-1408-31	Washer
5	02-2519-01	Same	Plastic Tee	23	A30914-001	A30914-002	Pump Mounting Bracket
6	03-1404-10	Same	Screw	24	03-1417-03	03-1417-05	Lockwasher, #10
7	02-2878-01	Same	Sump End Cover	25	03-1406-03	03-1406-05	Nut, #10-32
8	02-2801-01	02-2868-01	Drain Trough	26	Same	03-1394-03	Pal Nut
9	No Number	No Number	Cube Chute	27	Same	03-1408-34	Special Washer
10	See Detail	02-2869-01	Sump	28	02-2642-01	Same	Plate Mount
11	A30918-001	Same	Sump Inlet Tube	29	A30296-020	Same	Evaporator Plate
12	03-1531-01	Same	Screw, #8-32	30	No Number	13-0674-07	Drain Hose, 8"
13	12-2261-03	12-2313-03	Solenoid Valve Assembly	31	13-0674-07	13-0674-07	Water Hose, 33"
14	No Number	16-0791-01	Half Union Coupling	32	03-0727-05	03-0727-09	Thumbscrew
15	No Number	16-0162-00	Strainer	33	03-1417-03	Same	Lockwasher
16	03-1394-01	Same	Pal Nut	"A" & "C" DETAIL			
17	03-1405-03	03-1645-01	Screw	"A" "C"			
18	A31757-004	A32282-003	Drain Fab Assembly (Air-Cooled)	34	A30917-001	A30917-002	Stand Pipe
				35	13-0617-02	Same	O-Ring
				36	02-2606-01	Same	Tube - Female
				37	13-0674-11	Same	Drain Tube, 8"
				38	02-2812-01	02-2812-02	Reservoir

CM650 THE PARTS ILLUSTRATIONS AND PARTS LISTS

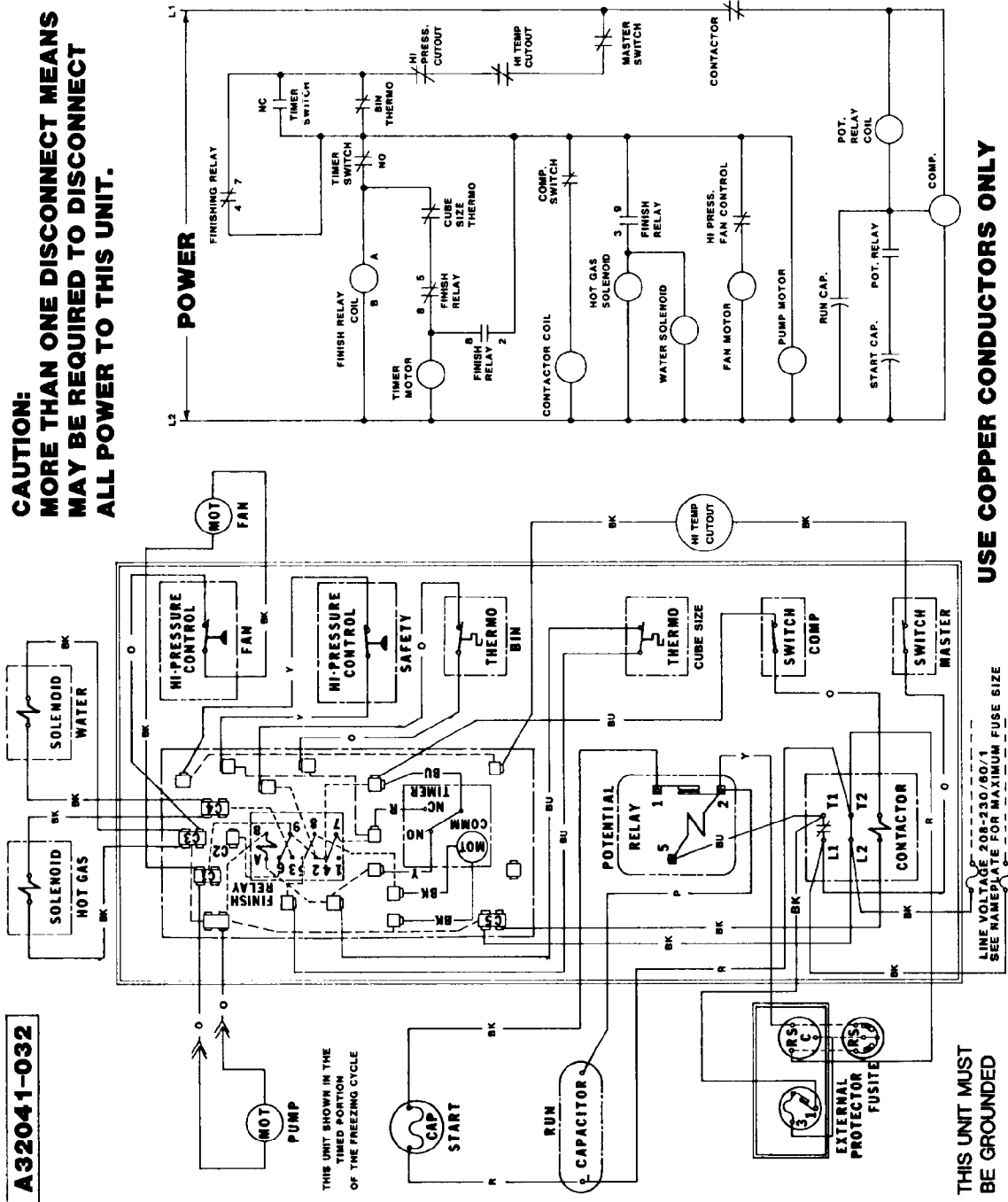


CONTROL BOX

ITEM NUMBER	PART NUMBER		DESCRIPTION	ITEM NUMBER	PART NUMBER		DESCRIPTION
	"A" & "C"	"D"			"A" & "C"	"D"	
1	13-0557-00	Same	Grommet	18	03-1403-05	03-1403-17	Screw, #8-32 (2)
2	12-1213-10	12-1213-07	Snap Bushing	19	03-1417-03	Same	Tooth Lockwasher
3	03-1417-18	Same	Tooth Lockwasher (2)	20	11-0428-01	Same	Cube Size Control
4	03-1403-02	Same	Screw	21	03-1417-16	Same	Tooth Lockwasher
5	03-1403-02	Same	Screw	22	12-0426-01	Same	Switch SPST
6	03-1417-18	Same	Tooth Lockwasher (2)	23	12-0426-01	Same	Switch SPST
7	11-0426-01	Same	Fan Pressure Control (Air-Cooled Only)	24	12-1213-17	12-1213-12	Snap Bushing
8	11-0425-01	Same	High Pressure Control (Air-Cooled)	25	13-0557-00	Same	Grommet
	11-0410-02	Same	High Pressure Control (Water-Cooled)	26	03-1423-01	Same	Speed Nut (1)
9	A30902-001	A32168-001	Control Box Cover	27	18-1903-33	Same	Potential Relay (208-230)
10	03-1531-01	Same	Screw	28	03-1403-02	Same	Screw
11	12-1980-02	Same	Timer	29	03-1403-15	03-1638-03	Screw
12	12-1879-03	Same	Relay, 3PDT (208-230)	30	12-2048-02	Same	Contactor (208-230/60/1)
13	12-1912-01	Same	Circuit Board		12-0739-02	Same	Contactor (208-230/60/3)
14	03-1403-02	Same	Screw	31	03-1103-00	Same	Twin Speed Nut (1)
15	03-1403-05	03-1403-17	Screw	32	18-2200-39	Same	Start Capacitor Bracket
16	03-1417-03	Same	Tooth Lockwasher	33	03-1403-15	Same	Screw, #8-32 (2)
17	11-0427-02	Same	Bin Thermostat	34	18-1901-45	Same	Start Capacitor
				35	18-2200-38	Same	Start Capacitor Cap
				36	18-1902-45	Same	Run Capacitor

CM650C WIRING DIAGRAM

CAUTION:
MORE THAN ONE DISCONNECT MEANS
MAY BE REQUIRED TO DISCONNECT
ALL POWER TO THIS UNIT.

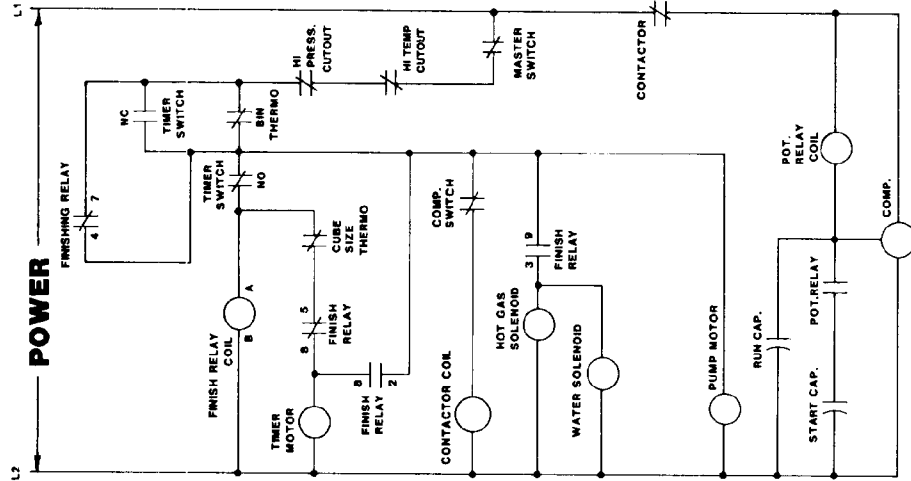
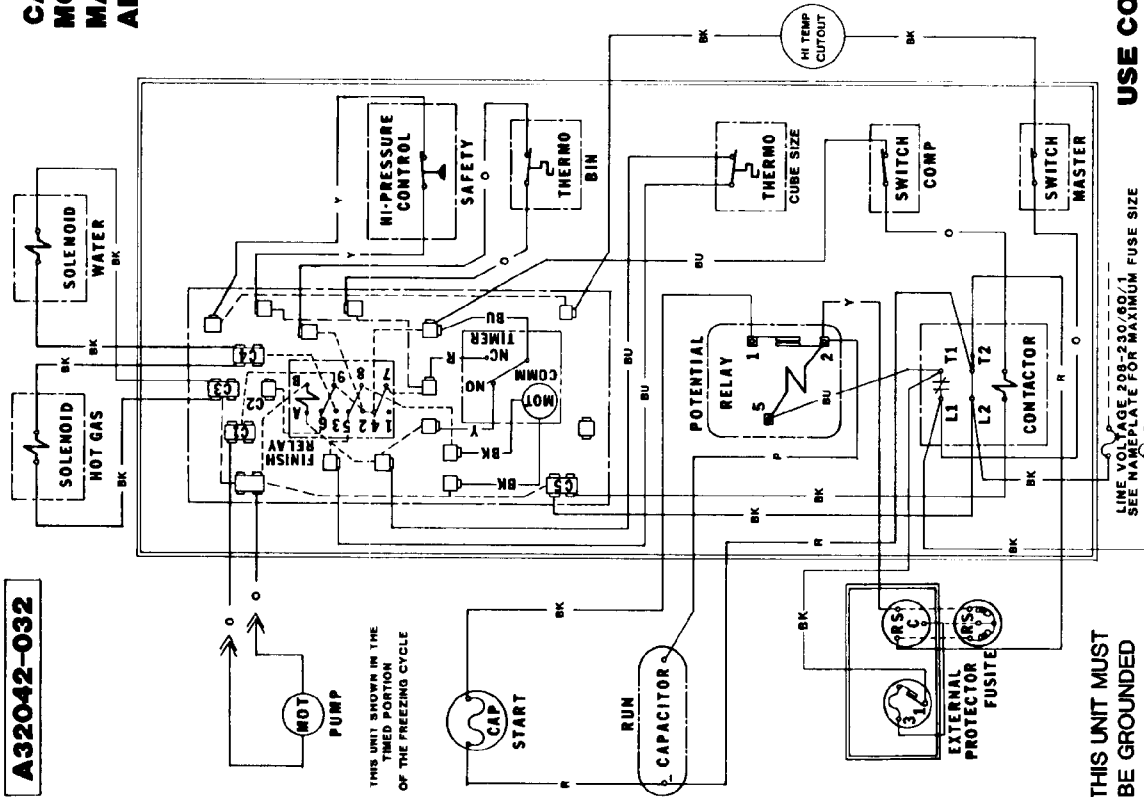


Use of the High Temperature cut-out begins with Serial Number 877131-02G

Wiring Diagram — CM650AE-32C (208-230/60/1) - Air-Cooled

CM650C WIRING DIAGRAM

CAUTION:
MORE THAN ONE DISCONNECT MEANS
MAY BE REQUIRED TO DISCONNECT
ALL POWER TO THIS UNIT.



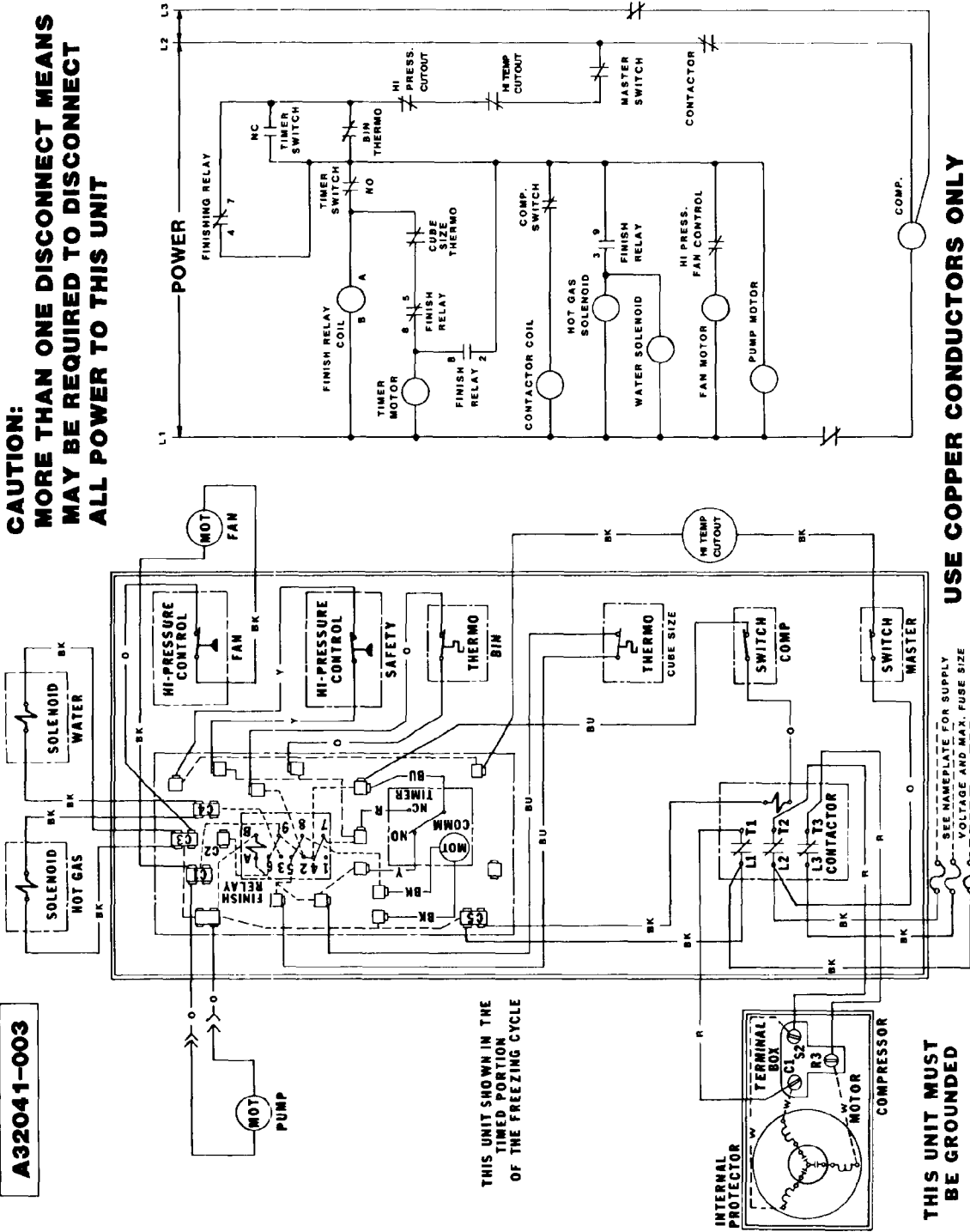
USE COPPER CONDUCTORS ONLY

Use of the High Temperature cut-out begins with Serial Number 877131-02G

Wiring Diagram — CM650WE-32C (208-230/60/1) - Water-Cooled

CM650C WIRING DIAGRAM

CAUTION:
MORE THAN ONE DISCONNECT MEANS
MAY BE REQUIRED TO DISCONNECT
ALL POWER TO THIS UNIT



A32041-003

THIS UNIT SHOWN IN THE
TIMED PORTION
OF THE FREEZING CYCLE

THIS UNIT MUST
BE GROUNDED

USE COPPER CONDUCTORS ONLY

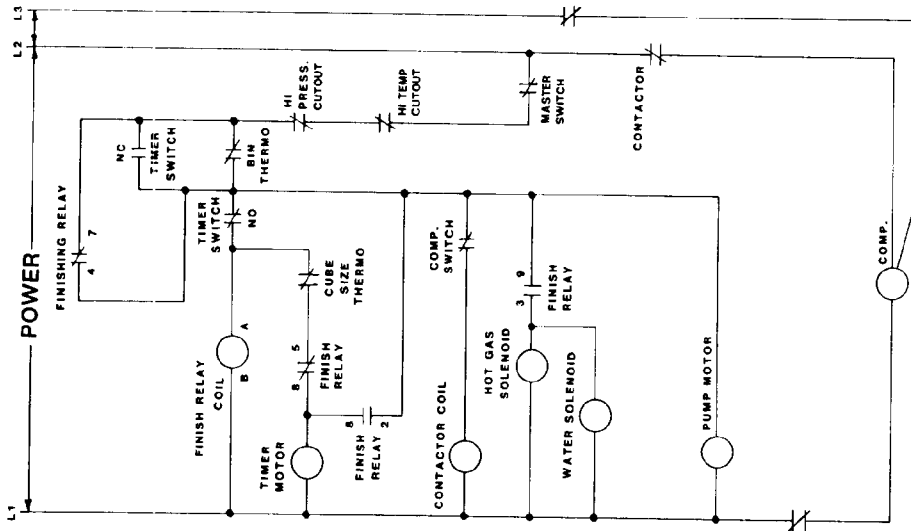
SEE NAMEPLATE FOR SUPPLY
 VOLTAGE AND MAX. FUSE SIZE

Use of the High Temperature cut-out begins with Serial Number 877131-02G

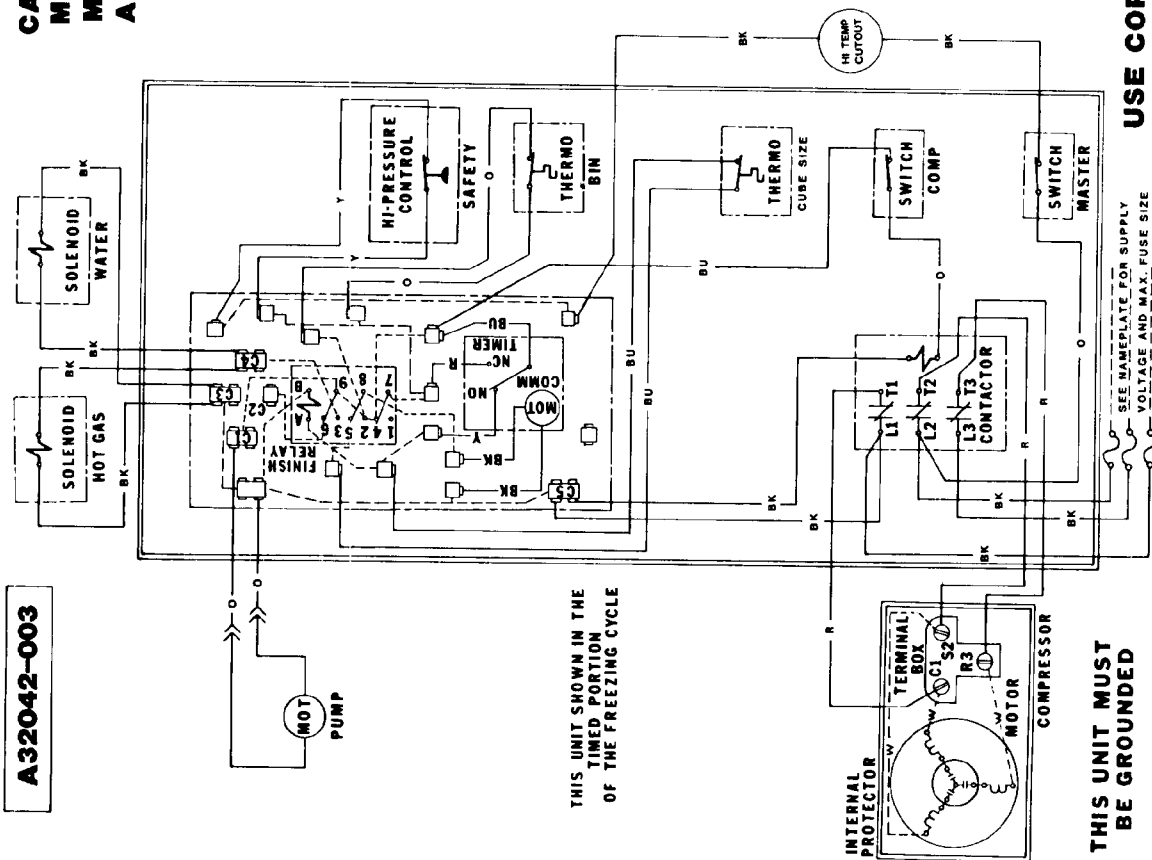
Wiring Diagram — CM650AE-3C (208-230/60/3) - Air-Cooled

CM650C WIRING DIAGRAM

CAUTION:
MORE THAN ONE DISCONNECT MEANS
MAY BE REQUIRED TO DISCONNECT
ALL POWER TO THIS UNIT.



USE COPPER CONDUCTORS ONLY



A32042-003

THIS UNIT SHOWN IN THE
 TIMED PORTION
 OF THE FREEZING CYCLE

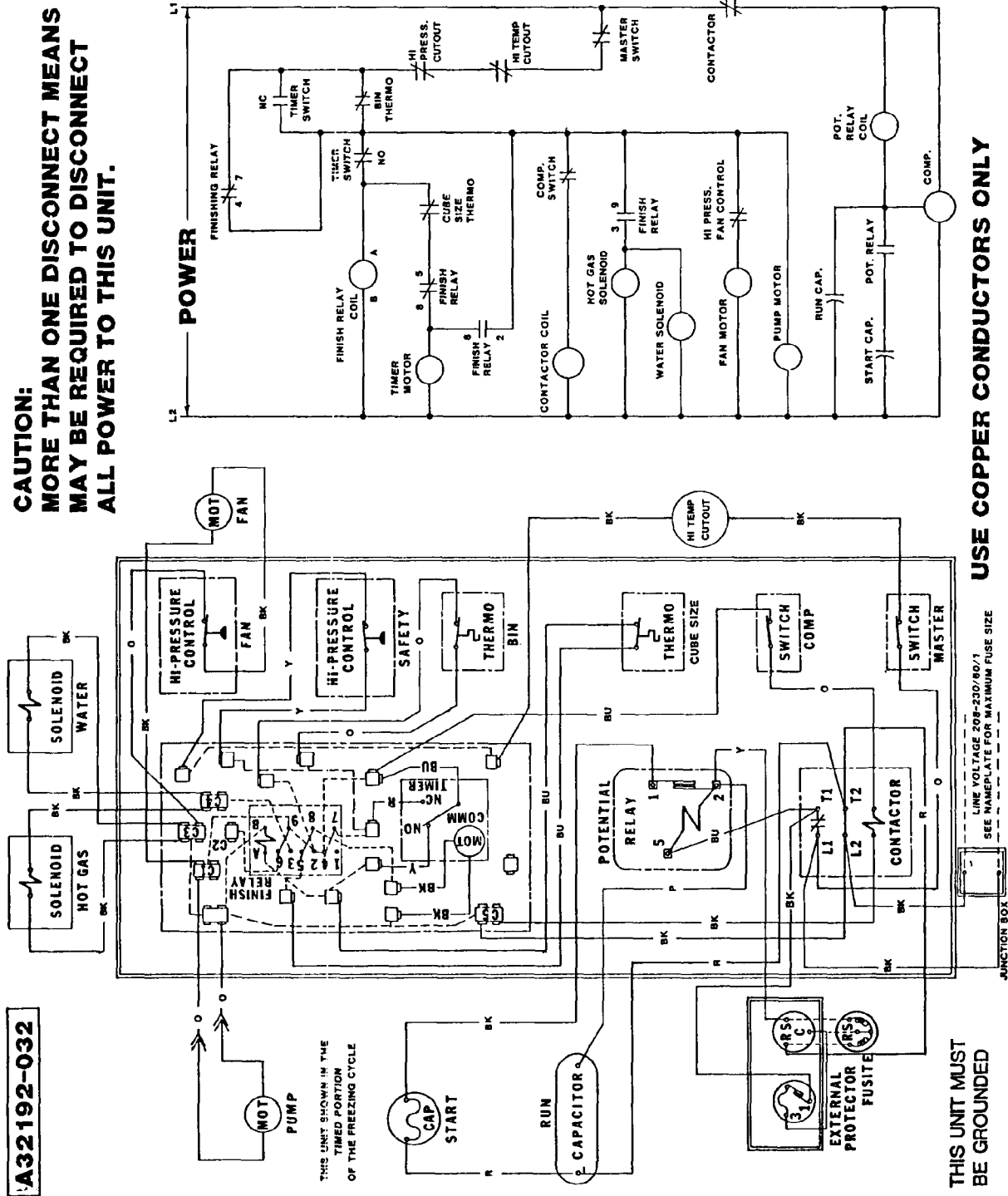
**THIS UNIT MUST
 BE GROUNDED**

Use of the High Temperature cut-out begins with Serial Number 877131-02G

Wiring Diagram — CM650WE-3C (208-230/60/3) - Water-Cooled

CM650D WIRING DIAGRAM

CAUTION:
MORE THAN ONE DISCONNECT MEANS
MAY BE REQUIRED TO DISCONNECT
ALL POWER TO THIS UNIT.



USE COPPER CONDUCTORS ONLY

A32192-032

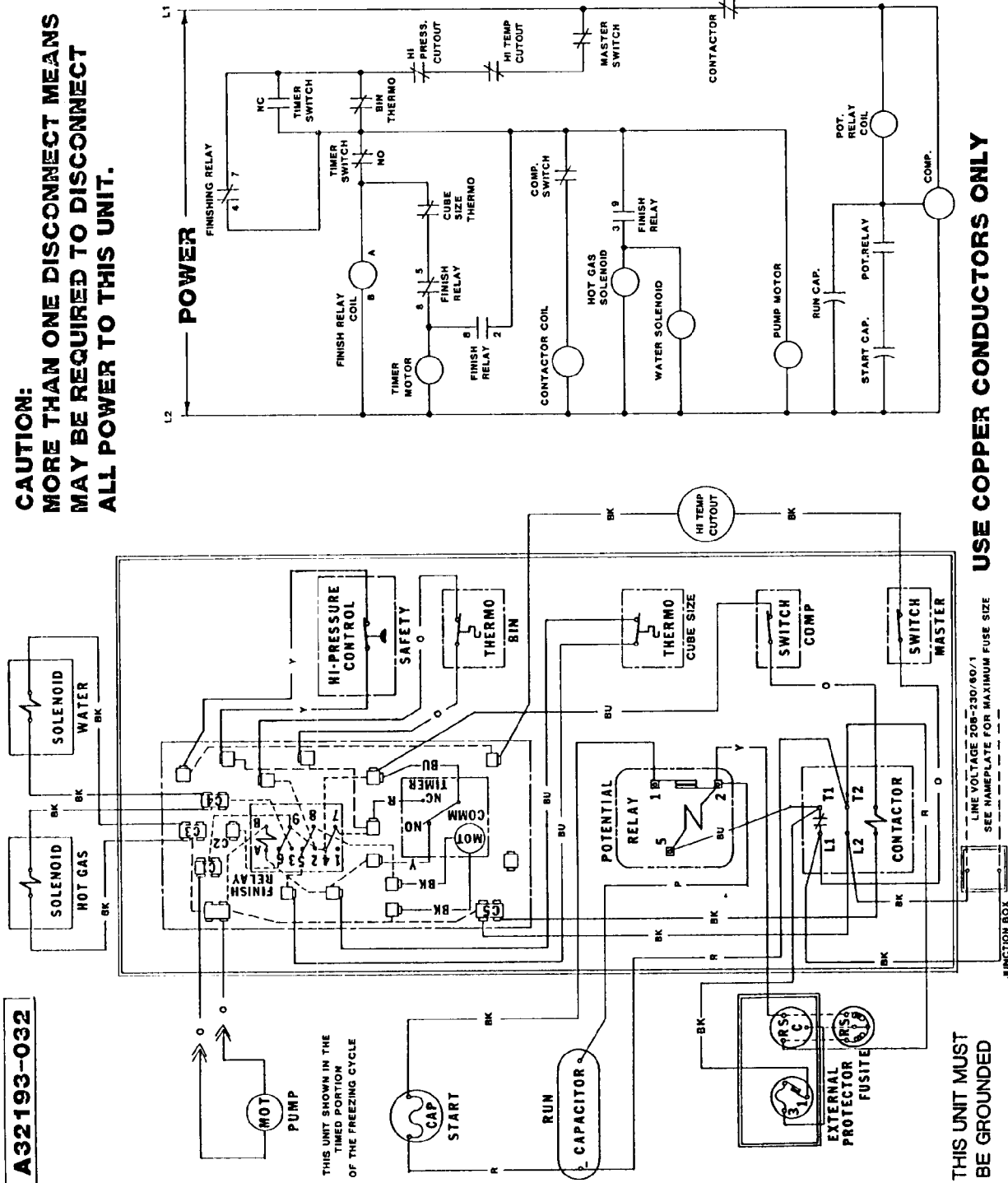
THIS UNIT SHOWN IN THE
 TIMED PORTION
 OF THE FREEZING CYCLE

**THIS UNIT MUST
 BE GROUNDED**

Wiring Diagram CM650AE-32D (208-230/60/1)

CM650D WIRING DIAGRAM

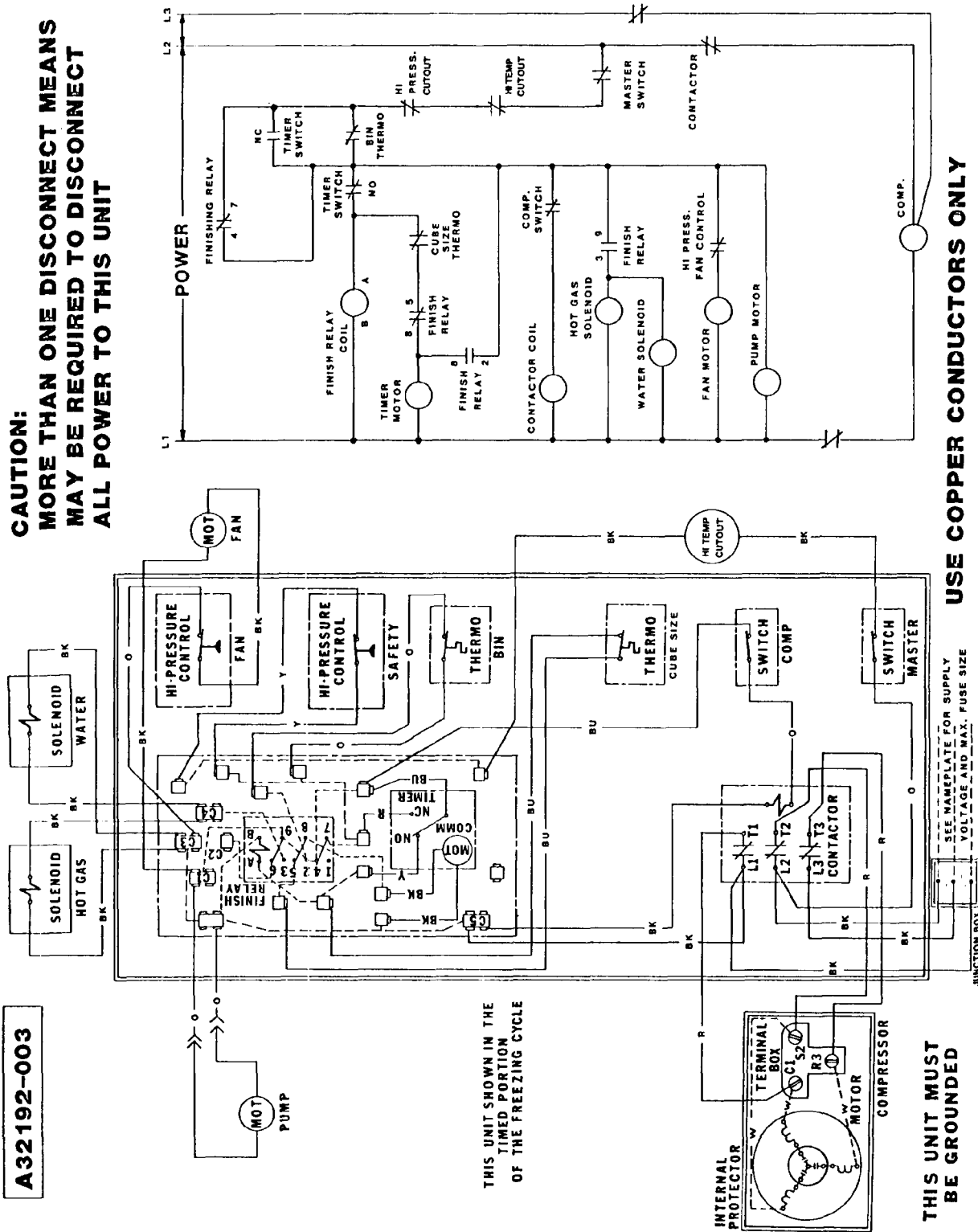
CAUTION:
MORE THAN ONE DISCONNECT MEANS
MAY BE REQUIRED TO DISCONNECT
ALL POWER TO THIS UNIT.



Wiring Diagram CM650WE-32D (208-230/60/1)

CM650D WIRING DIAGRAM

CAUTION:
MORE THAN ONE DISCONNECT MEANS
MAY BE REQUIRED TO DISCONNECT
ALL POWER TO THIS UNIT



A32192-003

THIS UNIT SHOWN IN THE
 TIMED PORTION
 OF THE FREEZING CYCLE

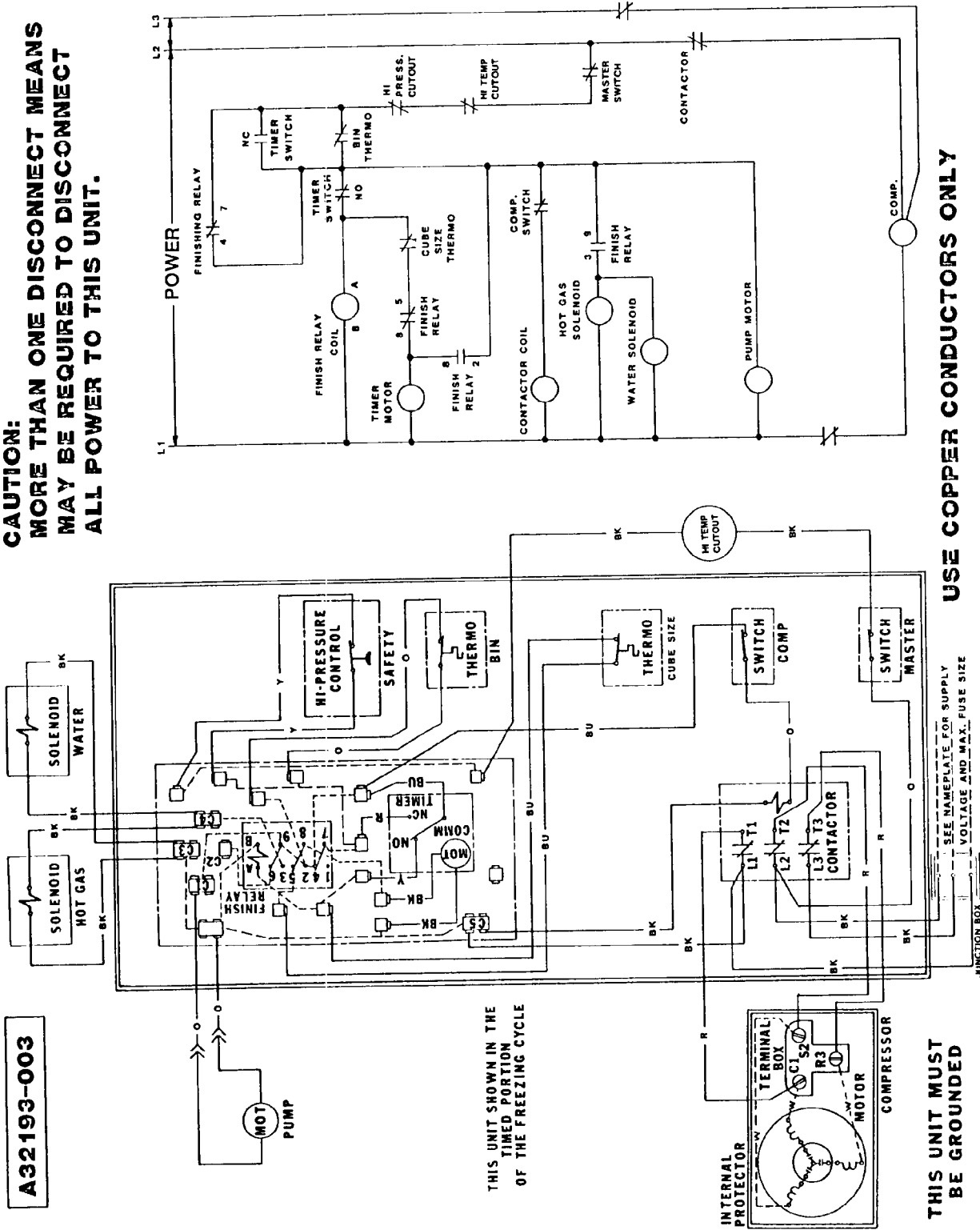
**THIS UNIT MUST
 BE GROUNDED**

USE COPPER CONDUCTORS ONLY

Wiring Diagram CM650AE-3D (208-220/60/3)

CM650D WIRING DIAGRAM

CAUTION:
MORE THAN ONE DISCONNECT MEANS
MAY BE REQUIRED TO DISCONNECT
ALL POWER TO THIS UNIT.



Wiring Diagram CM650WE-3D (208-220/60/3)