

CYG 6 / CYE 6 V380

CYG 6 / CYE 6 V380

CATALOGO PARTI DI RICAMBIO
CATALOGUE PIECES DETACHEES
ERSATZTEILKATALOG
SPARE PARTS CATALOGUE
CATÁLOGO DE PEÇAS DE REPOSIÇÃO



GAS
GAZ
GÁS



ELETTRICO
ELECTRIQUE
ELEKTRISCHE
ELECTRIC
ELÉTRICO



**Catalogo parti di ricambio valido
dalla matricola 1114170 (19.11.2015) ad oggi (01.03.2017)**

**Catalogue pieces detachees
valable à partir du numero de Série n. 1114170 (19.11.2015) jusqu'à aujourd'hui
(01.03.2017)**

**Ersatzteilkatalog
gültig ab Serien-Nr. 1114170 (19.11.2015) bis heute (01.03.2017)**

**Spare parts catalogue
valid from serial no. 1114170 (19.11.2015) up today (01.03.2017)**

**Catálogo de peças de reposição
válido do número de série 1114170 (19.11.2015) até hoje (01.03.2017)**

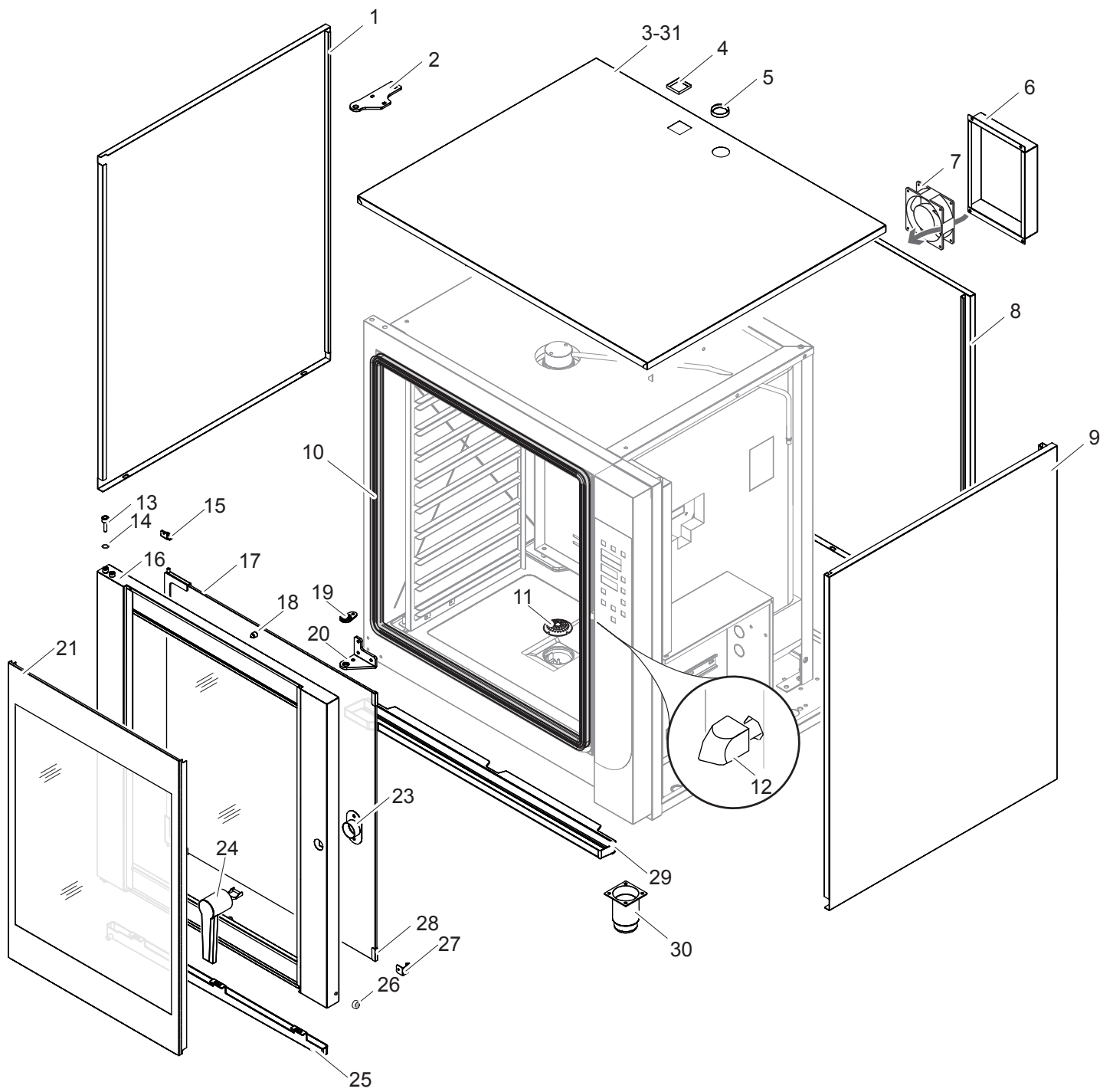
Le informazioni sono considerate non vincolanti. Le immagini rappresentate sono puramente indicative. Il produttore si riserva il diritto di apportare modifiche in qualsiasi momento senza preavviso.

Les informations données ne sont pas contraignantes. Les images montrées sont à titre indicatif. Le producteur se réserve le droit d'apporter des modifications sans préavis.

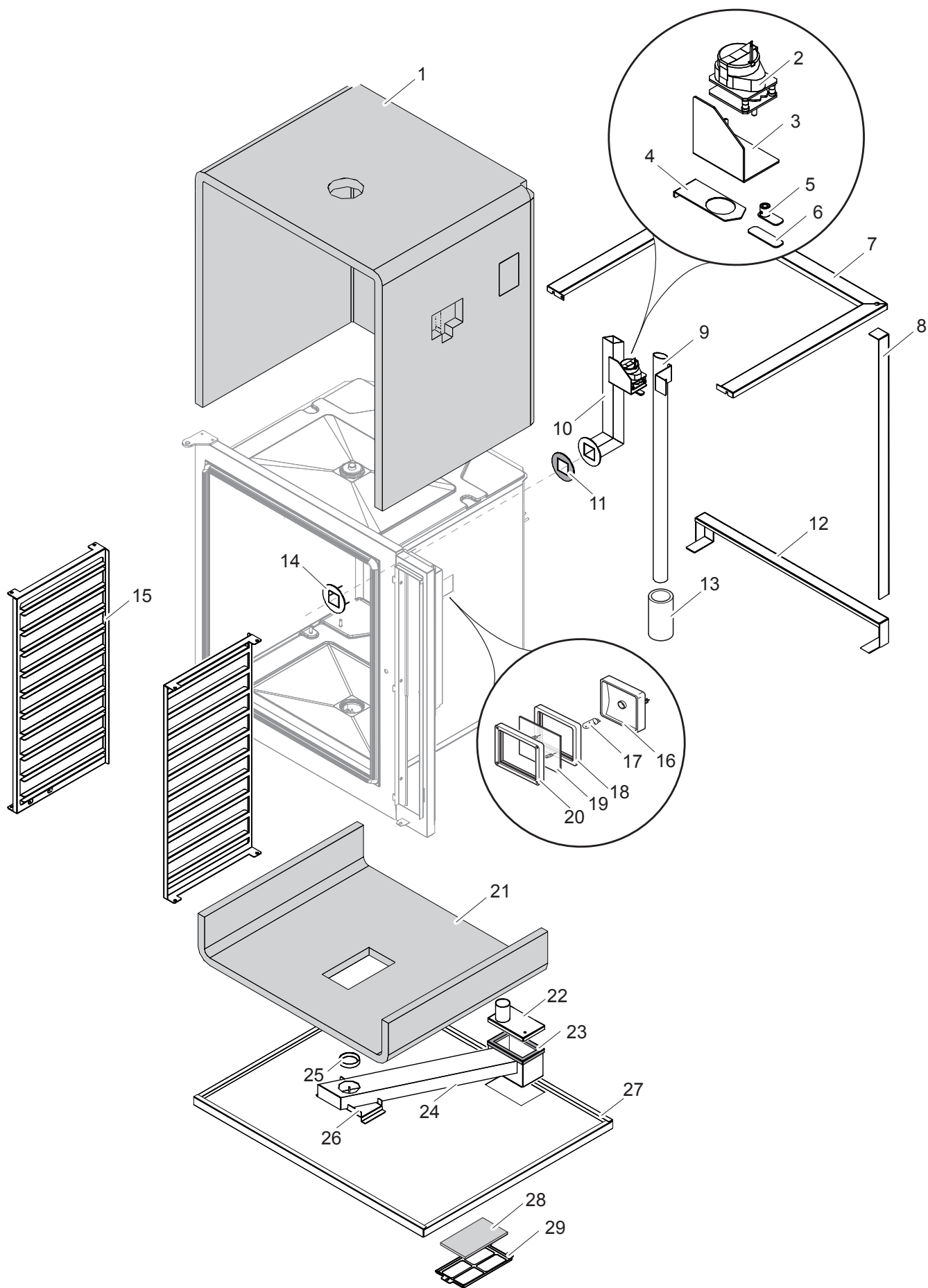
Die im vorliegenden Dokument aufgeführten Informationen und Bilder sind unverbindlich. Der Hersteller behält sich das Recht vor, jederzeit ohne vorherige Ankündigung Änderungen vorzunehmen

Info and drawing could be slightly different from reality and they cannot be considered as compelling. Manufacturer can modify info anytime without forewarning.

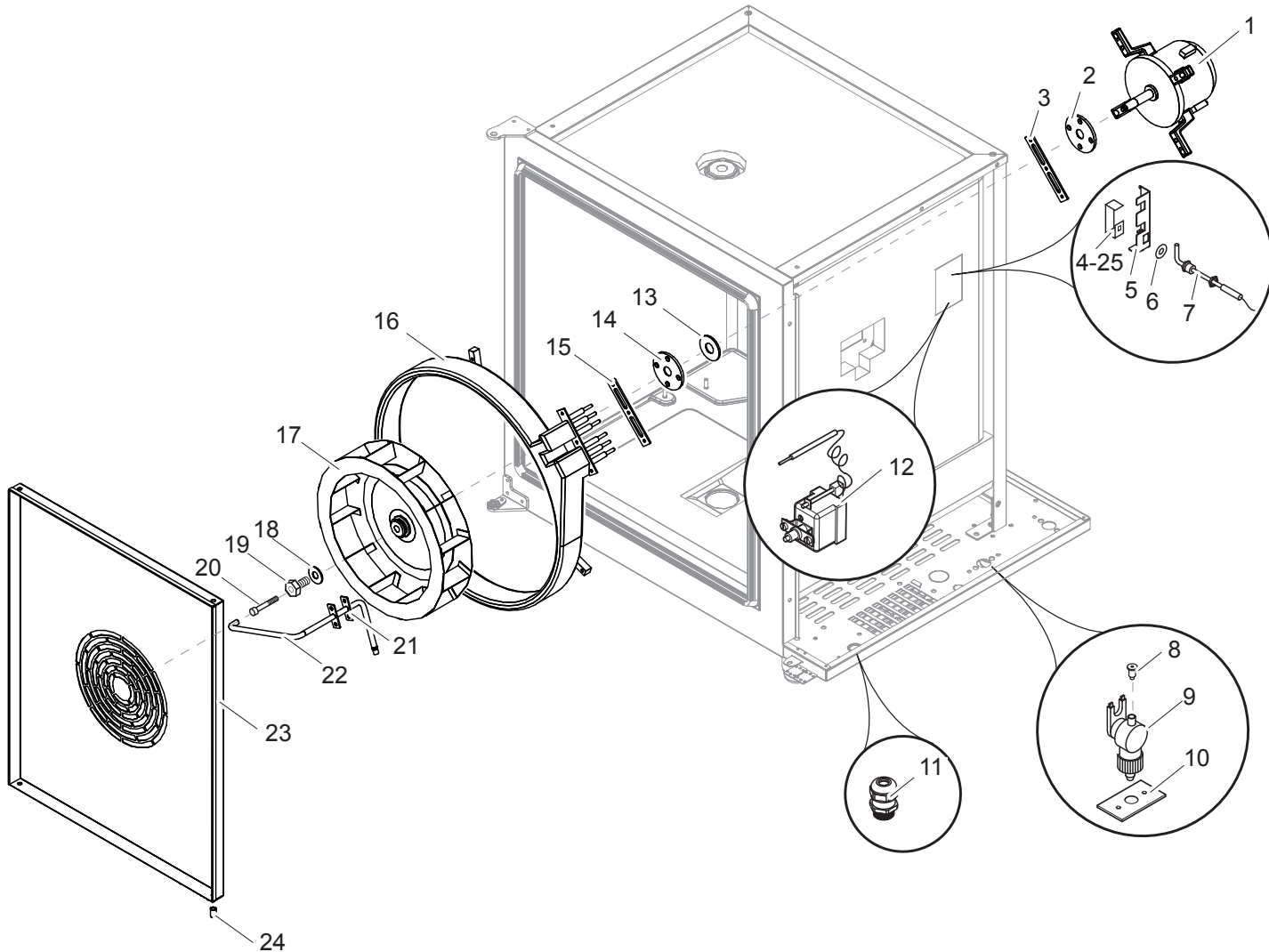
As Informações e desenhos podem estar um pouco diferente da realidade e são puramente indicativas. O fabricante pode modificar estas informações a qualquer momento sem aviso prévio.



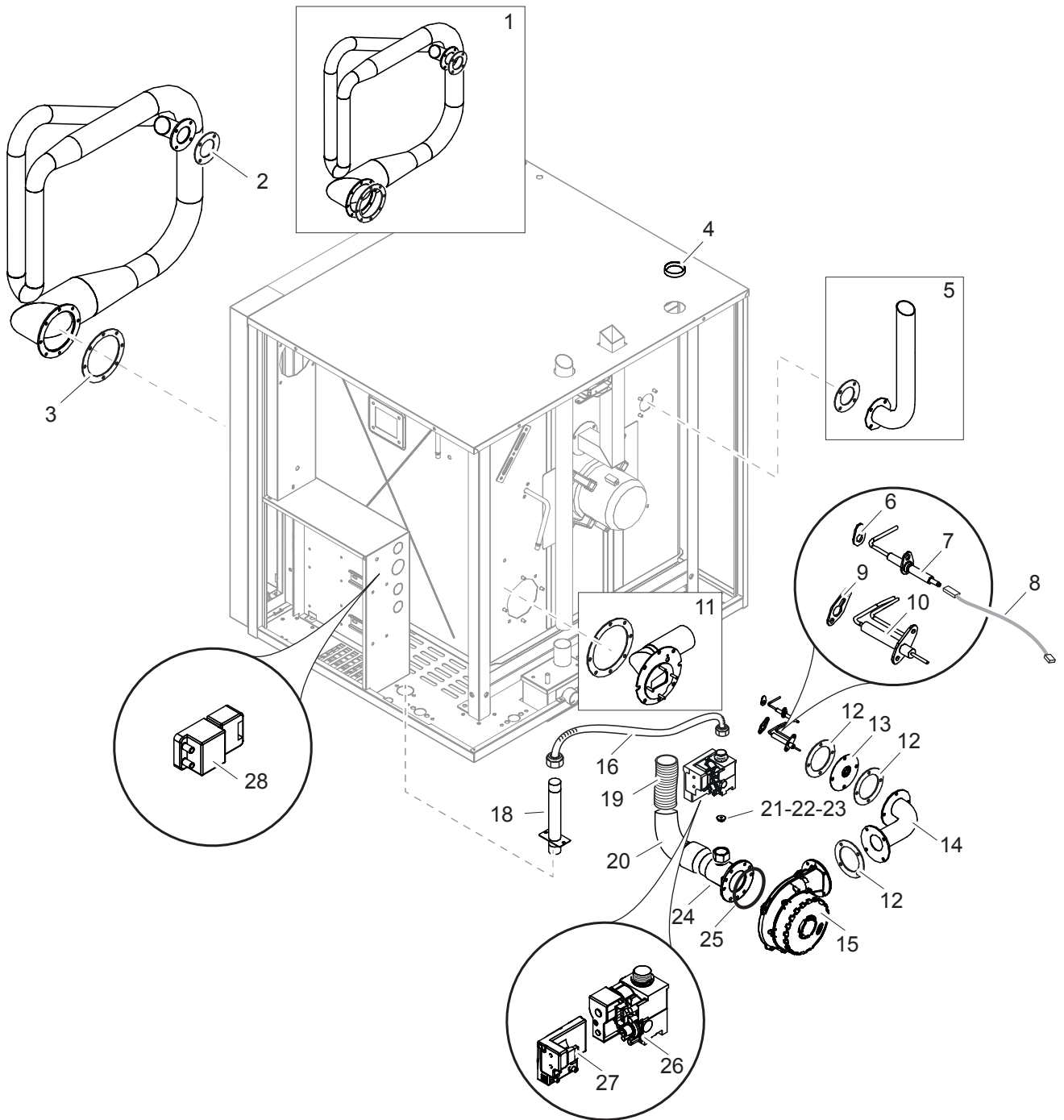
| Nr. | Code | Title | Recommended |
|------------|-------------|-------------------------------------|--------------------|
| 1. | 181860 | <i>TOLE LATERAL GAUCHE</i> | N |
| 2. | 182123 | <i>UPPER HINGE</i> | N |
| 3. | 181855 | <i>TOP</i> | N |
| 4. | 182063 | <i>GASKET</i> | N |
| 5. | 182064 | <i>JOINT</i> | N |
| 6. | 181856 | <i>FAN PROTECTION</i> | N |
| 7. | RGFOC00254 | <i>HEATING FAN FEM109</i> | S |
| 8. | 181862 | <i>BACK SIDE</i> | N |
| 9. | 181861 | <i>TOLE LATERAL DROITE</i> | N |
| 10. | 181815 | <i>JOINT DE PORTE</i> | S |
| 11. | 185011 | <i>FILTRE DE VIDANGE</i> | |
| 12. | 180797 | <i>DOOR CLOSURE "1ST STEP CLIP"</i> | S |
| 13. | RTMIN00137 | <i>SCREW</i> | N |
| 14. | 181845 | <i>WASHER</i> | N |
| 15. | 182853 | <i>INNER GLASS STAND</i> | N |
| 16. | RIC0004792 | <i>STRUCTURE PORTE</i> | N |
| 17. | RIC0004785 | <i>VITRE INTERIEUR COMPLET</i> | N |
| 18. | 180818 | <i>CAOUTCHOUC PORTE</i> | N |
| 19. | 182667 | <i>LOWER DOOR BLOCK</i> | S |
| 20. | 181883 | <i>CHARNIERE INFERIEURE</i> | N |
| 21. | RIC0004830 | <i>VITRE EXTERIEUR COMPLET</i> | N |
| 23. | 182807 | <i>SUPPORT DE LA POIGNEE</i> | N |
| 24. | 181813 | <i>POIGNEE</i> | S |
| 25. | 182944 | <i>RECUPERATEUR D'EAU INTERIEUR</i> | N |
| 26. | 175748 | <i>DOOR MAGNET 10X3</i> | N |
| 27. | 180578 | <i>GLASS BLOCKING SPRING</i> | N |
| 28. | 181903 | <i>CORNER PROTECTION</i> | N |
| 29. | 182943 | <i>RECUPERATEUR D'EAU EXTERIEUR</i> | N |
| 30. | 183968 | <i>PIED</i> | |
| 31. | 184216 | <i>TOP GAS OVEN</i> | N |



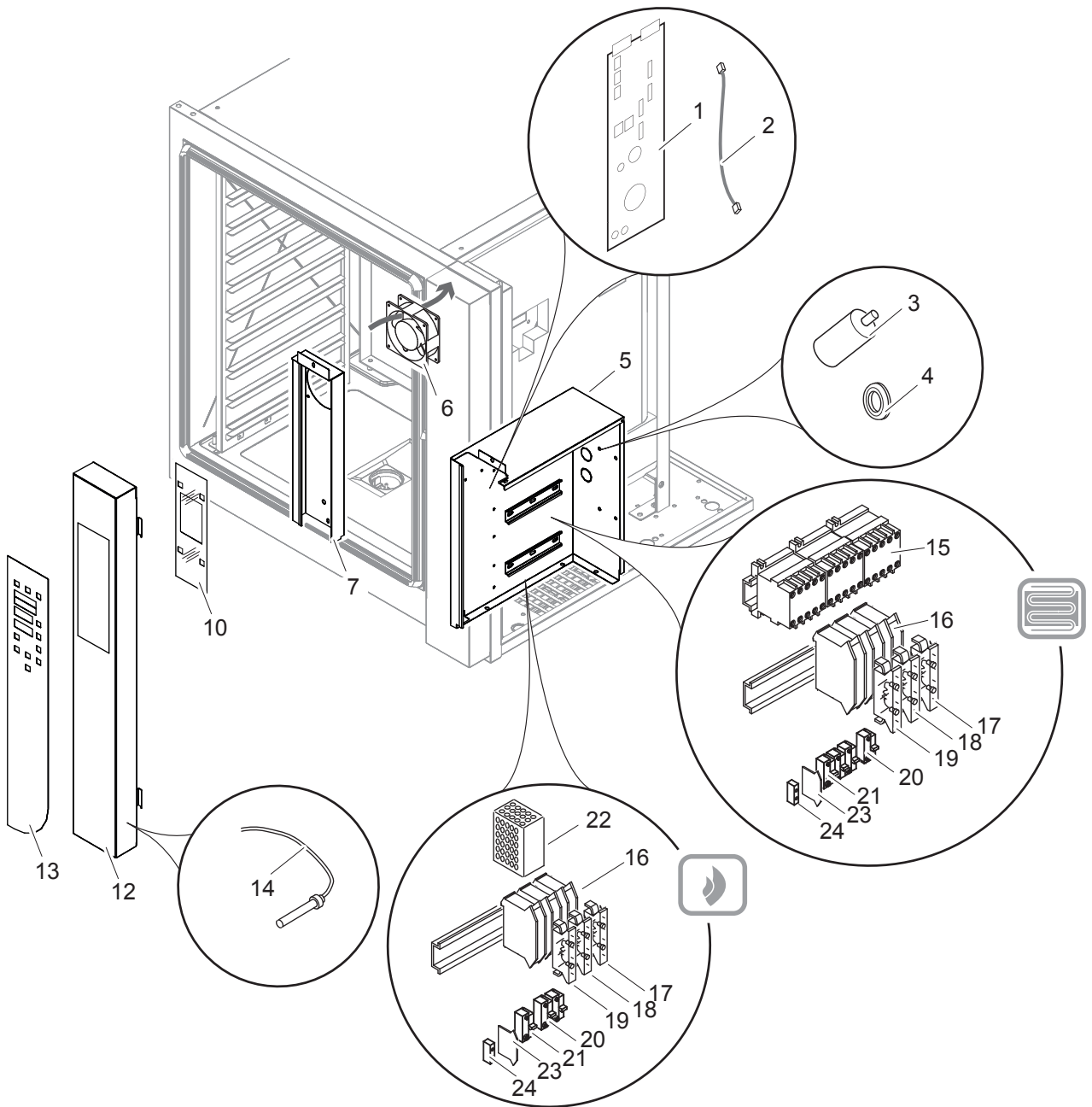
| Nr. | Code | Title | Recommended |
|------------|-------------|-------------------------------------|--------------------|
| 1. | 181835 | UPPER INSULATION PANEL | N |
| 2. | 181839 | MOTEUR DE CONTROLE D'HUMIDITE | S |
| 3. | 181909 | MOTOR HOLDER | N |
| 4. | 181910 | VALVE DE CONDUIT SUPERIEUR | N |
| 5. | 181911 | SHAFT | N |
| 6. | 181913 | LEVER | N |
| 7. | 181887 | UPPER MAIN FRAME | N |
| 8. | 181889 | COLUMN | N |
| 9. | 181872 | STEAM DRAIN PIPE | N |
| 10. | 182834 | CHAMBER AERATION PIPE | N |
| 12. | 181890 | LOWER MAIN FRAME | N |
| 13. | 170810 | RUBBER PIPE - DRAIN MAGIC BOX | N |
| 14. | 181938 | INNER FLANGE | N |
| 15. | 181877 | SUPPORT PLATEAU GN1/1 | N |
| 16. | 177058 | LAMP HOLDER | N |
| 17. | 177059 | LAMP | S |
| 18. | 185358 | JOINT PORTE LAMPE | |
| 19. | 185359 | VITRE PORTE LAMPE | |
| 20. | 185360 | FIXATION VITRE PORTE LAMPE | |
| 21. | 181837 | LOWER INSULATION PANEL | N |
| 22. | 184967 | DRAIN BOX LID | N |
| 23. | 184974 | BACK DRAIN PIPE GASKET | |
| 24. | 185008 | LOWER DRAIN PIPE | |
| 25. | 181831 | JOINT ANTERIEUR DE BOITE DE VIDANGE | N |
| 27. | 181850 | BASE FRAME | N |
| 28. | 182114 | FILTRE | N |
| 29. | 181870 | SIEGE POUR FILTRE | N |



| Nr. | Code | Title | Recommended |
|------------|-------------|--|--------------------|
| 1. | 181779 | MOTEUR ELECTRIQUE | S |
| 2. | 162330 | C/BRIDE MOT.F.HOBART | N |
| 3. | 181832 | OUTER HEATING ELEMENT FLANGE | N |
| 4. | 183035 | PLATE | N |
| 5. | 181939 | PLATE | N |
| 6. | RTMIN00043 | WASHER | N |
| 7. | 164729 | THERMOCOUPLE 52 K F.HOBART MBM00017 | S |
| 8. | 172834 | 0,25 LT FLOW RATE SOLENOID VALVE/REGULAT | S |
| 9. | RTFOC00022 | ELECTROVANNE FCV.1V.207038 | S |
| 11. | RTBF800138 | CABLE PG21 53015050+D53019050C | N |
| 12. | 177060 | LIMIT THERMOSTAT 350°C | S |
| 13. | 162510 | BAGUE D'ETANCHEITE ARBRE MOT.F.HOBART | S |
| 14. | 162148 | BRIDE MOT.F.HOBART | N |
| 15. | 181833 | JOINT RESISTANCE | S |
| 16. | 181817 | RESISTANCE DU FOUR 9KW | S |
| 17. | 162186 | FAN 6 GN1/1 | N |
| 18. | 184253 | RONDELLE POUR TURBINE | S |
| 19. | 161682 | VIS GAUCHE POUR ROUE 10G 161274 | S |
| 20. | 161683 | VIS DROITE M6X55 TCEI INOX PIV.10G | S |
| 21. | 183402 | JOINT DE HUMIDIFICATEUR | N |
| 22. | 181824 | TUYAU HUMIDIFICATEUR | N |
| 23. | RIC0004790 | PANNEAU CONVOYEUR D'AIR | N |
| 24. | 182913 | PIVOT | N |
| 25. | 185389 | GAS 6 GN 1/1 PLATE | N |



| Nr. | Code | Title | Recommended |
|------------|-------------|---------------------------------------|--------------------|
| 1. | RIC0004853 | EXCHANGER | N |
| 2. | 184068 | JOINT VIDANGE | S |
| 3. | 184067 | JOINT BRULEUR | S |
| 4. | 182064 | JOINT | N |
| 5. | RIC0004854 | DRAIN PIPE | N |
| 6. | 184328 | JOINT BOUGIE CONTROL FLAMME | S |
| 7. | PAFOC00250 | BOUGIE D'ALLUM. DECL.BRUL.B.FGM109/95 | S |
| 8. | 184836 | CABLE DE BOUGIE DETECTION FLAMME | S |
| 9. | 184327 | JOINT BOUGIE ALLUMAGE FLAMME | S |
| 10. | RIC0004871 | BOUGIE D'ALLUMAGE BRULEUR + CABLE | |
| 11. | RIC0004856 | BURNER | N |
| 12. | 168398 | JOINT | S |
| 13. | 184709 | MEMBRANE | N |
| 14. | 184309 | MANIFOLD | N |
| 15. | 183728 | SUFFLATEUR | N |
| 16. | 183709 | TUYAU FLEXIBLE | N |
| 18. | 184056 | TUYAU GAZ | N |
| 19. | 183710 | CORRUGATED PIPE | N |
| 20. | 183764 | CRANK | N |
| 21. | RIC0004833 | NOZZLE G20 | N |
| 22. | RIC0004835 | GICLEUR G30/31 | N |
| 23. | RIC0004836 | NOZZLE G25 | N |
| 24. | 183727 | AIR REGULATOR BURNER | N |
| 25. | 183765 | O-RING | S |
| 26. | 183725 | VANNE GAZ | S |
| 27. | 183726 | CONTROLEUR DE FLAMME | S |
| 28. | 183806 | ALLUMEUR | S |



| Nr. | Code | Title | Recommended |
|------------|-------------|---|--------------------|
| 1. | 181778 | <i>CARTE DE PUISSANCE</i> | S |
| 2. | 182115 | <i>CABLE DE CONNECTION</i> | N |
| 3. | 182126 | <i>CONDENSATEUR 6,3 Mf 450 V</i> | S |
| 4. | RTBF800134 | <i>CHOCK</i> | N |
| 5. | 181863 | <i>CONTROL PANEL FRAME</i> | N |
| 6. | RGFOC00254 | <i>HEATING FAN FEM109</i> | S |
| 7. | 181866 | <i>BACK PANEL</i> | N |
| 10. | 183933 | <i>CARTE DISPLAY</i> | S |
| 12. | 183963 | <i>CONTROL PANEL</i> | N |
| 13. | 184782 | <i>AUTOCOLLANT AFFICHEUR</i> | N |
| 14. | 172745 | <i>MAGNETIC SWITCH 1235830</i> | S |
| 15. | 164608 | <i>RELAIS 11BG12 01 A230 50/60HZ 400V</i> | S |
| 16. | RTFOC00048 | <i>P/FUSIBLE+PIAS.FCV.SFR4+SFRPT</i> | N |
| 17. | RTFOC00575 | <i>FCV FUSE 5X20 3.15A</i> | |
| 18. | RTFOC00575 | <i>FCV FUSE 5X20 3.15A</i> | S |
| 19. | RTFOC00284 | <i>FUSIBLE FCV.5X20/6,3A</i> | S |
| 20. | 181966 | <i>BORNE BLEU</i> | N |
| 21. | 181965 | <i>BORNE GRIS</i> | N |
| 22. | 183724 | <i>ALIMENTATEUR</i> | S |
| 23. | 182112 | <i>TERMINAL HOLDER CAP</i> | N |
| 24. | 184932 | <i>TERMINAL BOARD BLOCK</i> | N |