



## **Nuggeteisbereiter, 85 kg/24 h, 20 kg Eisvorratsbehälter**

Artikel-Nr.  
711044 (TB852W)

---

### **Explosionszeichnung / Ersatzteile**

---

Bitte bei Ersatzteilbestellung immer Artikelnummer und  
Seriennummer mit angeben!



*TB 852*

# LIST OF THE EXPLODED VIEWS



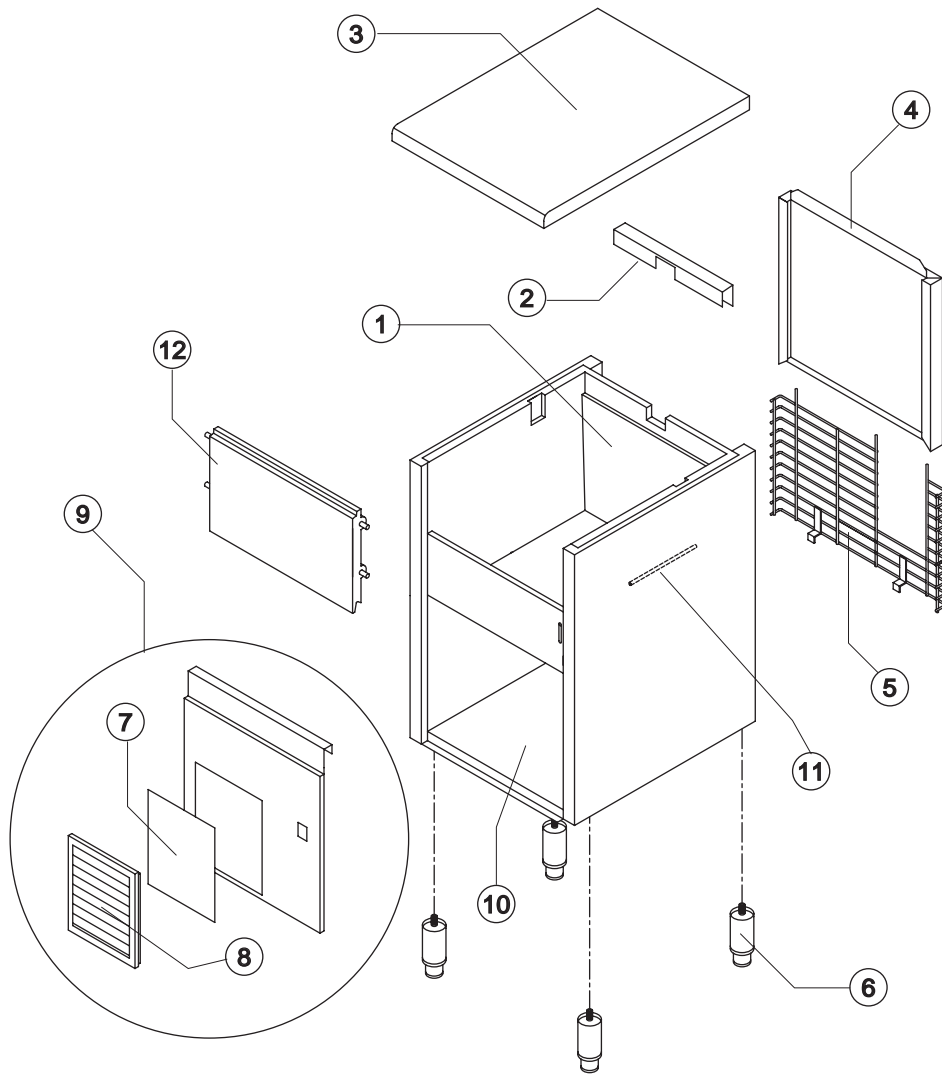
*SHELL ASSY*

*COOLING SYSTEM*

*EVAPORATOR*

*HYDRAULIC CIRCUIT*

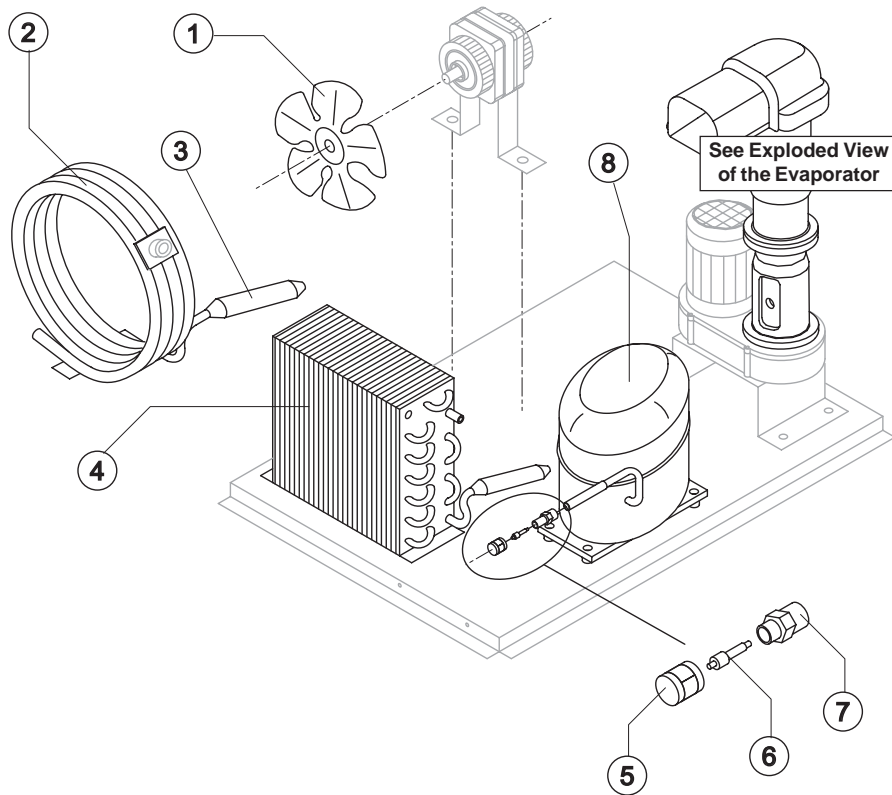
*ELECTRIC PARTS*



Ref.	Spare Description	Code
1	Foamed Cabinet Assy	See Table
2	Cover for Ice Exhaust	Current Version
2	Cover for Ice Exhaust	Till s/n. 589140
3	Top Assembly	C22689
4	Rear Panel Assembly	C21215
5	Rear Grid	D12014
6	Adjustable Stainless Steel Foot	20613
7*	Filtering Panel	18106
8	Frame + Grid & Filter	C10205
9	Front Grid Panel	C22507
10	Base Plate	21283
11	Bulbe-holder Pipe	20521
12	Door Assy	C10297

### Ref. 1 - Foamed Cabinet Assy

Condensation	Code
Air	C11153A
Water	C11153W



Rev. 5 - 22/01/2014

### Common Parts

Ref.	Spare Description	Code
3*	Molecular Drier	14009
5*	Vacuum-Charge Valve Plug	14006
6*	Vacuum-Charge Valve Device	14005
7	Vacuum-Charge Valve Body	14007
8	Compressor	See Table

### Parts for Air-Cooled Version Only

Ref.	Spare Description	Code
1	Sucking Fan	See Table
4	Air Condenser	20283

### Parts for Water-Cooled Version Only

Ref.	Spare Description	Code
1	Sucking Fan	10213
2	Water Condenser	14057

### Rif. 1 - Sucking Fan

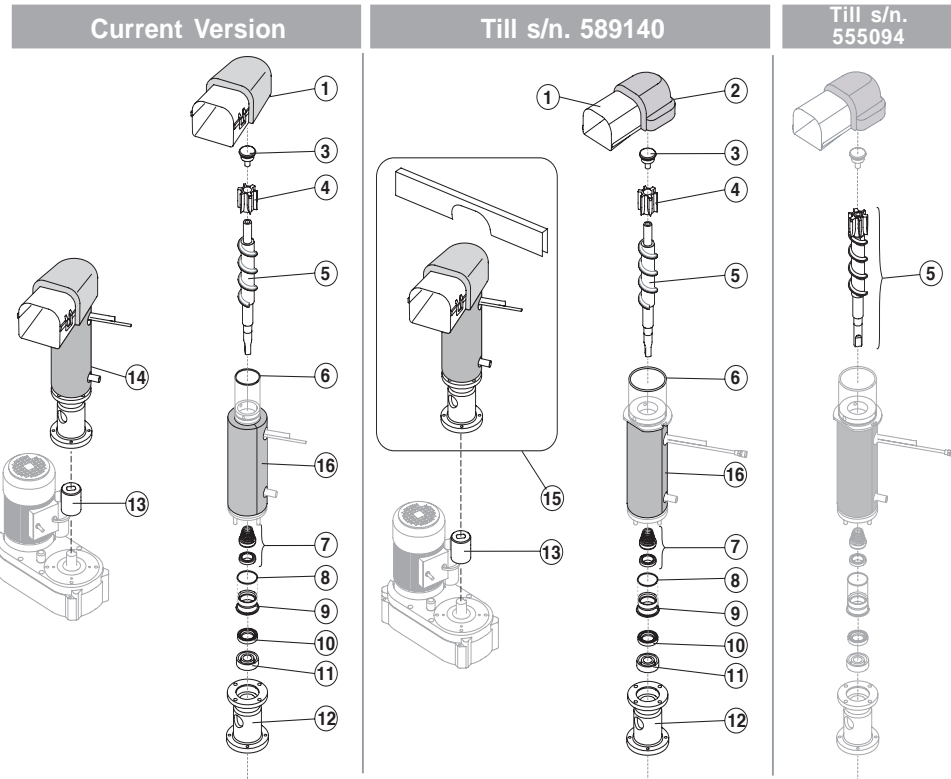
Voltage	Code
T11	20096
T12	20095
T19	20095

### Rif. 8 - Compressor

Voltage	Code
T11	23985
T12	23494A
T19	231036

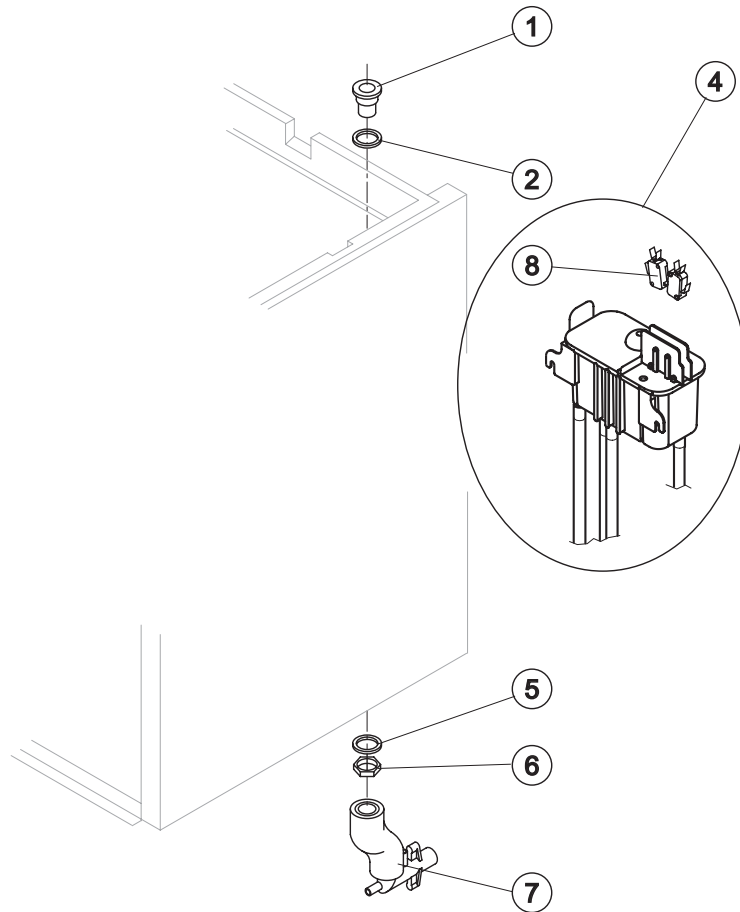


Rev. 5 - 22/01/2014



Ref.	Spare Description (Current version)	Code
1	Ice Exhaust with insulatig cap	C10648
3	Ice Breaker	20915
4	Extruder with bearings assembly	C201001
5	Auger	201000
6	OR Gasket 4325	20987
7	Ceramic Seal	20937
8	OR Gasket 3162 mat. NBR70	20429
9	Reduction Ring	20785
10	Seal Ring	20985
11	Bearing	20917
12	Flange	20916
13	Joint	D20630
14	Evaporator Assy	C11174
16	Insulating Cap	18205

Ref.	Spare Description (till s/n. 589140 )	Code	
1	Ice Exhaust	C10556	
2	Insulating cap	18208	
3	Ice Breaker	20915	
4	Extruder with bearings assembly	From s/n. 555095	C201001
5	Auger	From s/n. 555095	201000
5	Auger + Extruder with bearings assembly	Till s/n. 555094	C20918
6	OR Gasket 4325	20931	
7	Ceramic Seal	20937	
8	OR Gasket 3162 NBR70	20429	
9	Reduction Ring	20785	
10	Seal Ring	From s/n. 515012	20985
11	Bearing	20917	
12	Flange	20916	
13	Joint	D20630	
15	Evaporator Assy	KITNEV/TB852	
16	Insulating Cap	18205	



### Common Parts

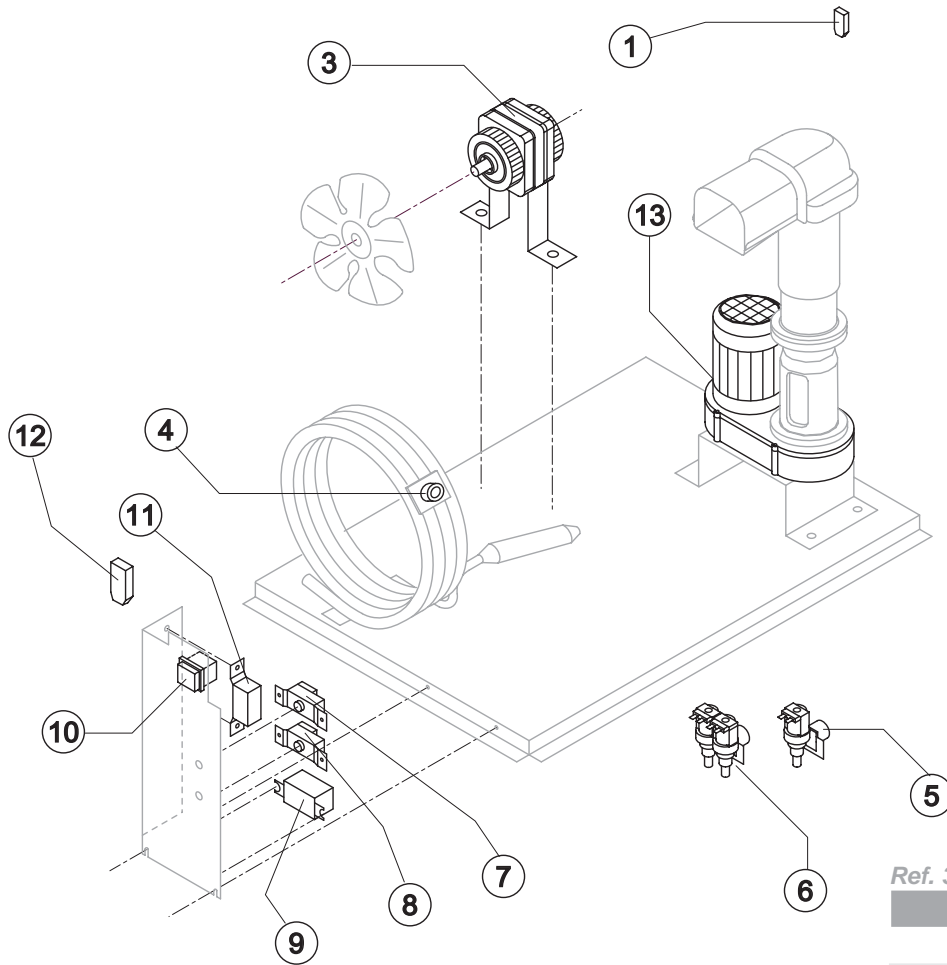
Ref.	Spare Description	Code
1	Water Outlet Nipple	10472
2	Silicone Gasket	13006
4*	Double Switch Basin Assembly	C10708
5	Semirigid Polyethylene Gasket	13007
6	Bin Discharge Nut	10096
8	Microswitch	23055

### Parts for Air-Cooled Version Only

Ref.	Spare Description	Code
7	Discharges Manifold	C10235

### Parts for Water-Cooled Version Only

Ref.	Spare Description	Code
7	Discharges Manifold	C10240



Rev. 5 - 22/01/2014

### Common Parts

Ref.	Spare Description	Code
1	Anti Radio Interference Filter	Only T11 C23457
3*	Fan Motor	See Table -
7*	Bin Thermostat	R23005
8*	Evaporator Thermostat	Current Version R23591
8*	Evaporator Thermostat	Till s/n. 587092 KIT23591
9*	Relay	See Table -
10*	Green Light Switch (On-Off)	23327
11*	Condenser Pressure Switch	See Table -
12	Anti Radio Interference Filter	Only T11 C23459
13	Gearmotor	Current Version 231060
13	Gearmotor	Till s/n. 594912 R231060

### Parts for Air-Cooled Version Only

Ref.	Spare Description	Code
5*	1 Way- Water Inlet Valve	See Table -

### Parts for Water-Cooled Version Only

Ref.	Spare Description	Code
4*	Safety Thermostat	C23114
6*	2 Ways- Water Inlet Valve	See Table -

### Ref. 3\* - Fan Motor

Voltage	Code
T11	23029
T12	23029
T19	23683

### Ref. 5\* - 1 Way- Water Inlet Valve

Voltage	Code
T11	23115
T12	23115
T19	23410

### Ref. 6\* - 2 Ways-Water Inlet Valve

Voltage	Code
T11	23116
T12	23116
T19	TBD

### Rif. 9\* - Relè

Voltage	Current Version	till s/n. 699275
T11	23190	23190
T12	23190	23190
T19	231099	23557

### Ref. 11\* - Cond. Pressure Switch

Voltage	Code
T11	23175
T12	23175
T19	23680

### Ref. 13 - Gearmotor

Voltage	Current Version	Till s/n. 594912
T11	231060	R231060
T12	231030	R231030
T19	231056	R231056