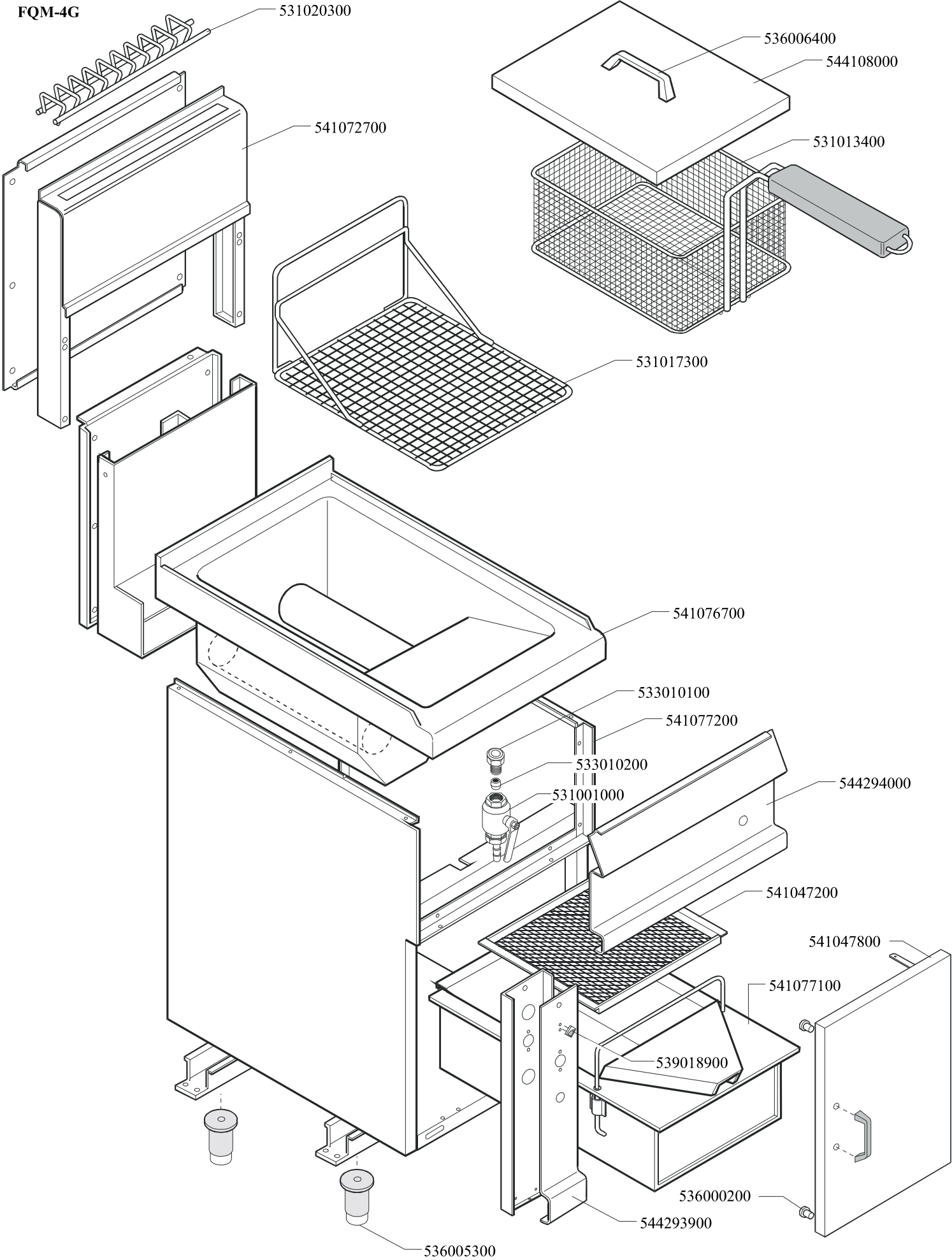
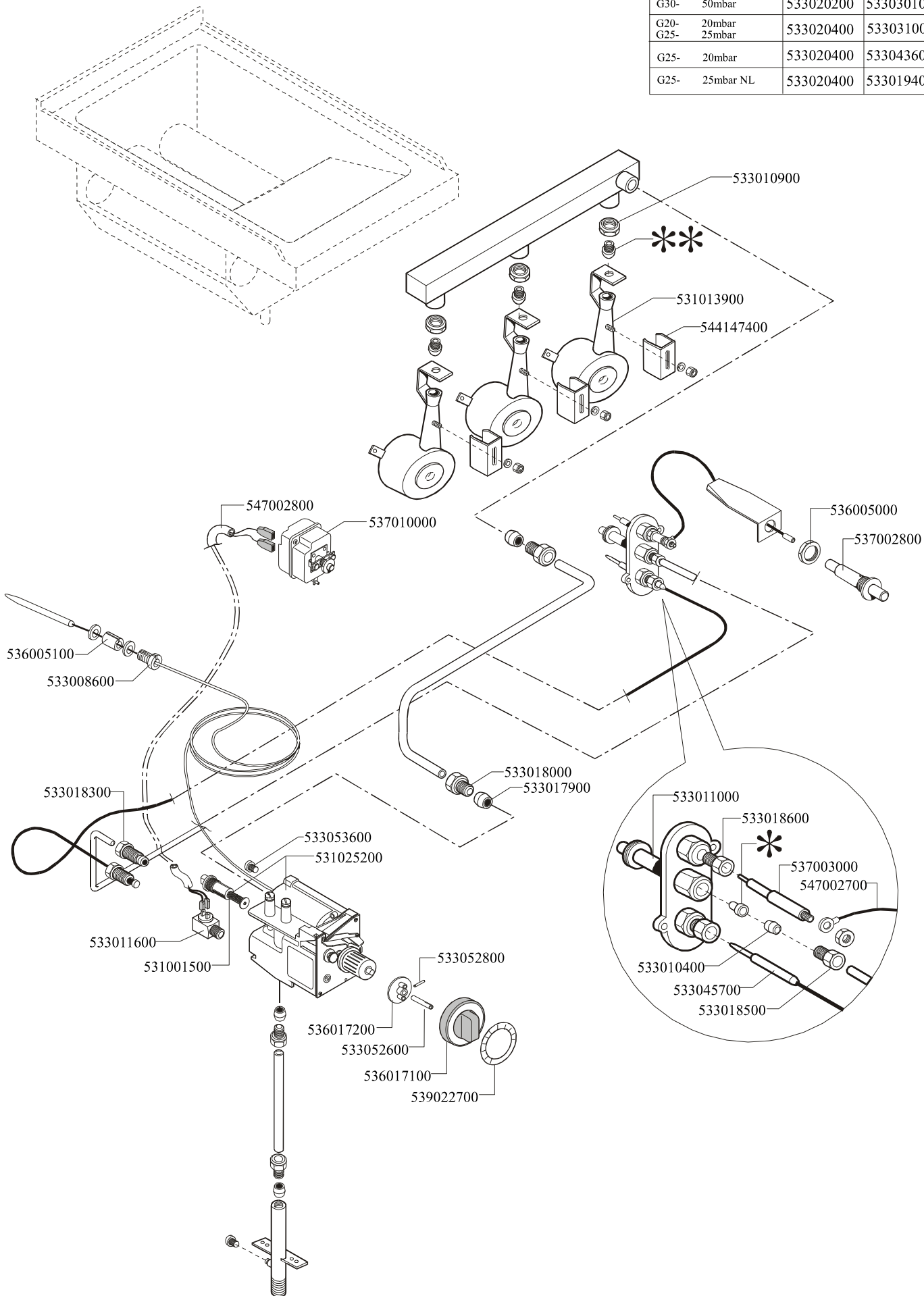


FQM-4G



	*	**
G30- 28+30mbar G31- 37mbar	533020200	533043200
G30- 50mbar	533020200	533030100
G20- 20mbar G25- 25mbar	533020400	533031000
G25- 20mbar	533020400	533043600
G25- 25mbar NL	533020400	533019400



Page	Pos	Code	Description
001		531020300	FLUE GRID 400"S65"
001		541072700	PERFORATED SPACER 4
001		536006400	BLACK HANDLE 65/FE/FG
001		544108000	TANK LID FMG-15-2/15 FQM-4G
001		531013400	FRYER BASKET 15LTS.GAS/ELECTRIC
001		531017300	TANK FILTER/BASKET SUPPORT FMG15/18
001		541076700	UPPER PLATE FQM-4G
001		533010100	3/4 D. 18 PIPE UNION
001		541077200	FRAME FQM-4G
001		533010200	BICONE 18S
001		531001000	DRAIN COCK 3/4" + HANDLE
001		544294000	UPPER NEUTRAL CONTROL PANEL FQM-4G
001		541047200	FILTER FOR DRIP TRAY
001		541047800	RIGHT DOOR 30
001		541077100	FILTER FOR DRIP TRAY 23L
001		539018900	INDEX FOR KNOB
001		536000200	D.12 H.4 BUMPER
001		544293900	CONTROL PANEL FQM-4G
001		536005300	PLASTIC LED 2"
002		533010900	NUT M14*1 H.4
002		531013900	BURNER FMG-10/15
002		544147400	AIR ADJUSTMENT BUSHING FMG-FQ
002		536005000	NUT M18 FOR PIEZOELECTRIC IGNITION
002		537002800	PIEZOELECTRIC IGNITION M18
002		533011000	PILOT BURNER 3 FLAMES 320
002		533018600	PLUG FITTING
002		537003000	PLUG M4 - LONG ELECTRODE
002		547002700	HIGH-VOLTAGE CABLE L=500
002		533010400	BICONE D.6
002		533067200	THERMOCOUPLE 220+500 M9*1 CUT-OFF
002		533018500	FITTING FOR BICONE D.6 M10*1
002		537010000	SAFETY THERMOSTAT 220°C SINGLEPHASE
002		536005100	GRAPHITE §07,4 GASKET
002		533008600	STUFFING BOX M9*1
002		533018300	FITTING WITH BICONE 6 M10*1
002		533018000	ELBOW FOR BICONE D.12 3/8 RS L20
002		533017900	BICONE D.12
002		533053600	EUROSIT VALVE PLUG
002		531025200	EUROSIT VALVE FQ 110-190°C
002		533052800	ELASTIC PEG §2,5*26
002		531001500	MAGNET FOR EUROSIT VALVE
002		536017200	MATCHER REMOTE CONTROL EUROSIT
002		533052600	PIN FOR KNOB 65LINE
002		536017100	BLACK KNOB §70 PIN §8*6,5
002		539022700	ADHESIVE GRADUATED DISC FOR KNOB
002		547002800	SAFETY CABLE FOR GAS FRYER
002		533011600	THERMOCOUPLE CUT-OFF M9*1-F9*1
002		533020200	PILOT JETS 0160 FOR LPG §30
002		533043200	NOZZLE §110 G30 (LPG) CH12X14
002		533030100	NOZZLE §95 CH12*14 G-FP
002		533020400	NOZZLE 0160 (NATURAL GAS) 51

Page	Pos	Code	Description
002		533031000	NOZZLE §175 CH12X14
002		533043600	NOZZLE §200 CH12*14 L-PC4 UR
002		533019400	NOZZLE §180 CH12*14 L-FQ5