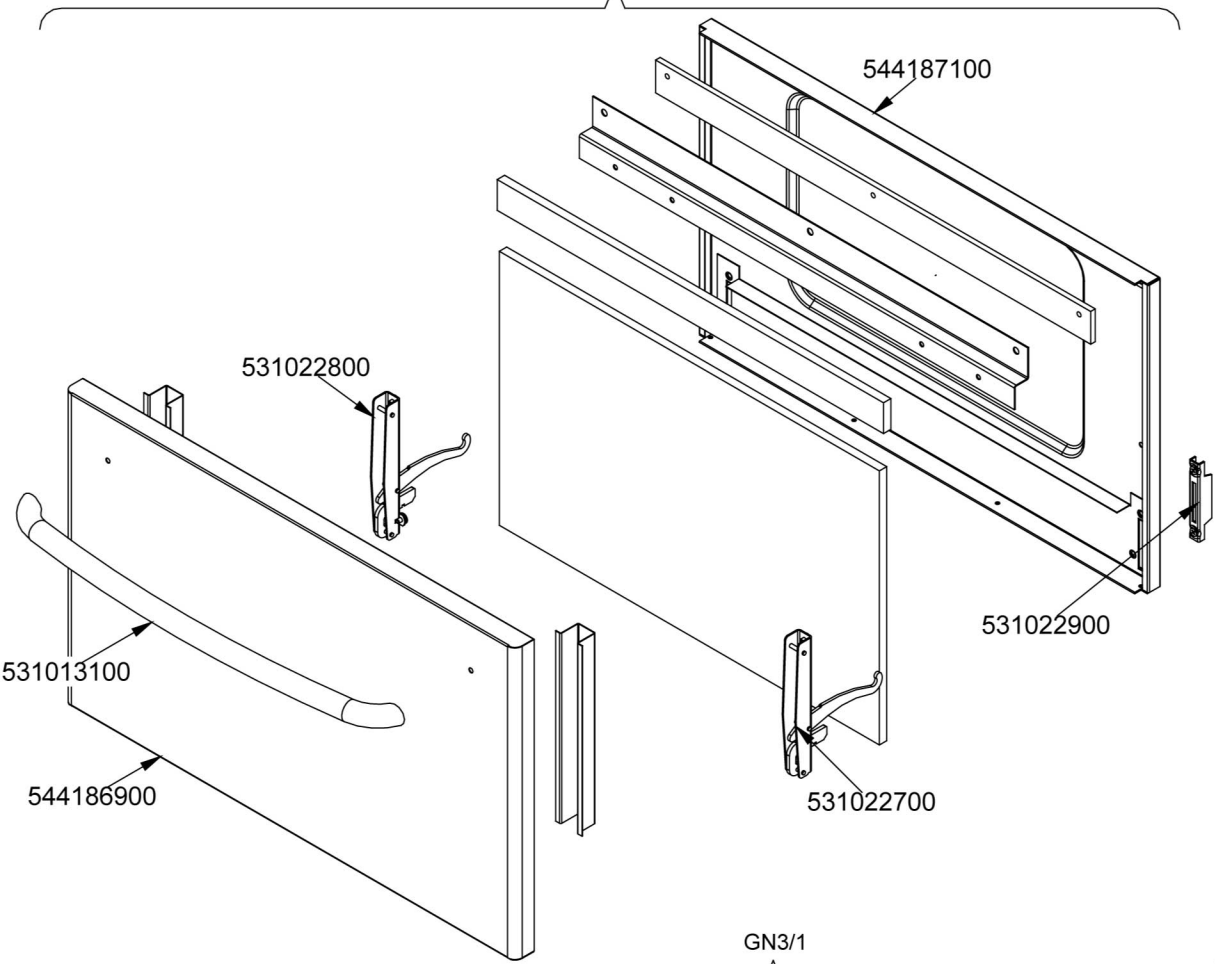
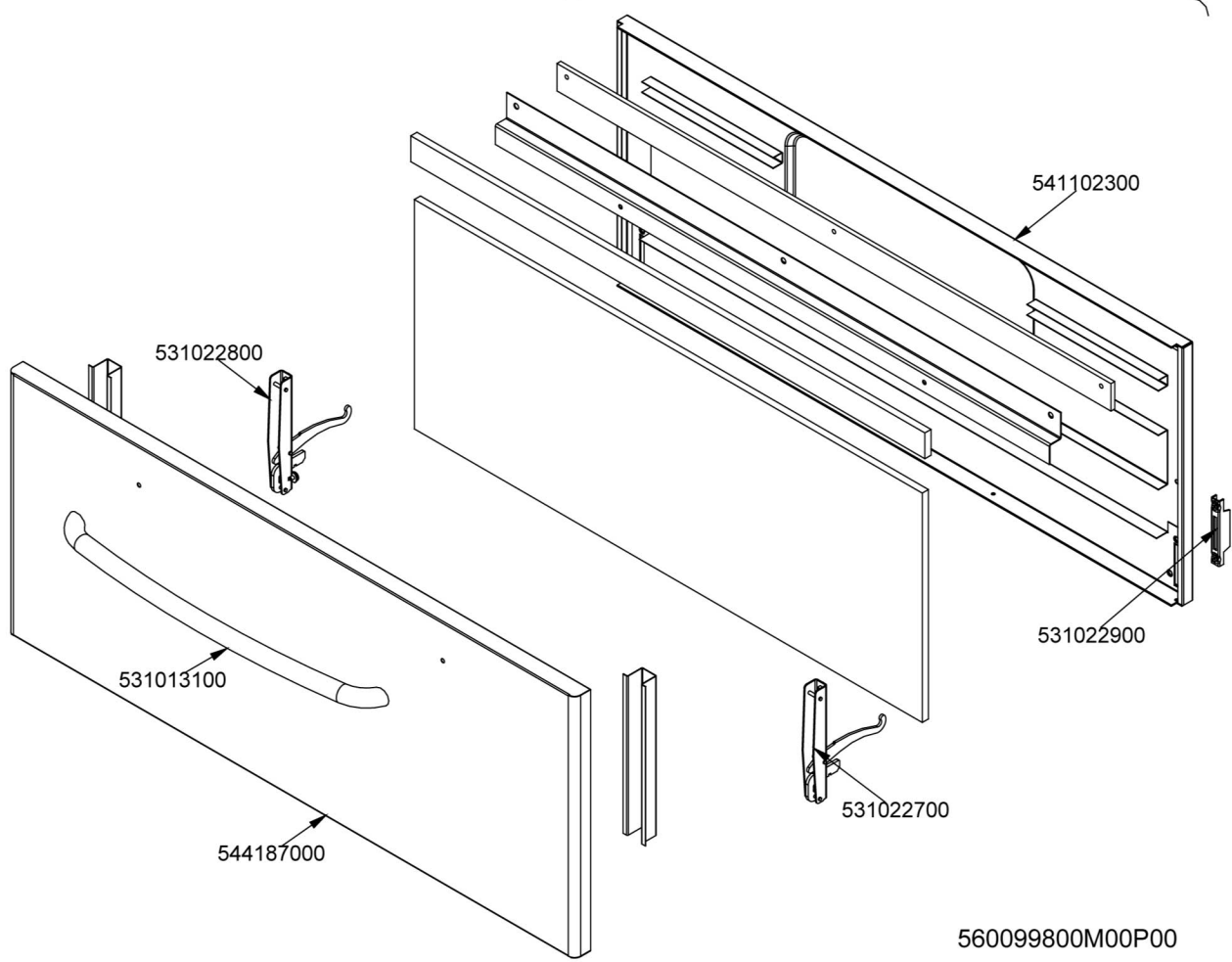


GN2/1

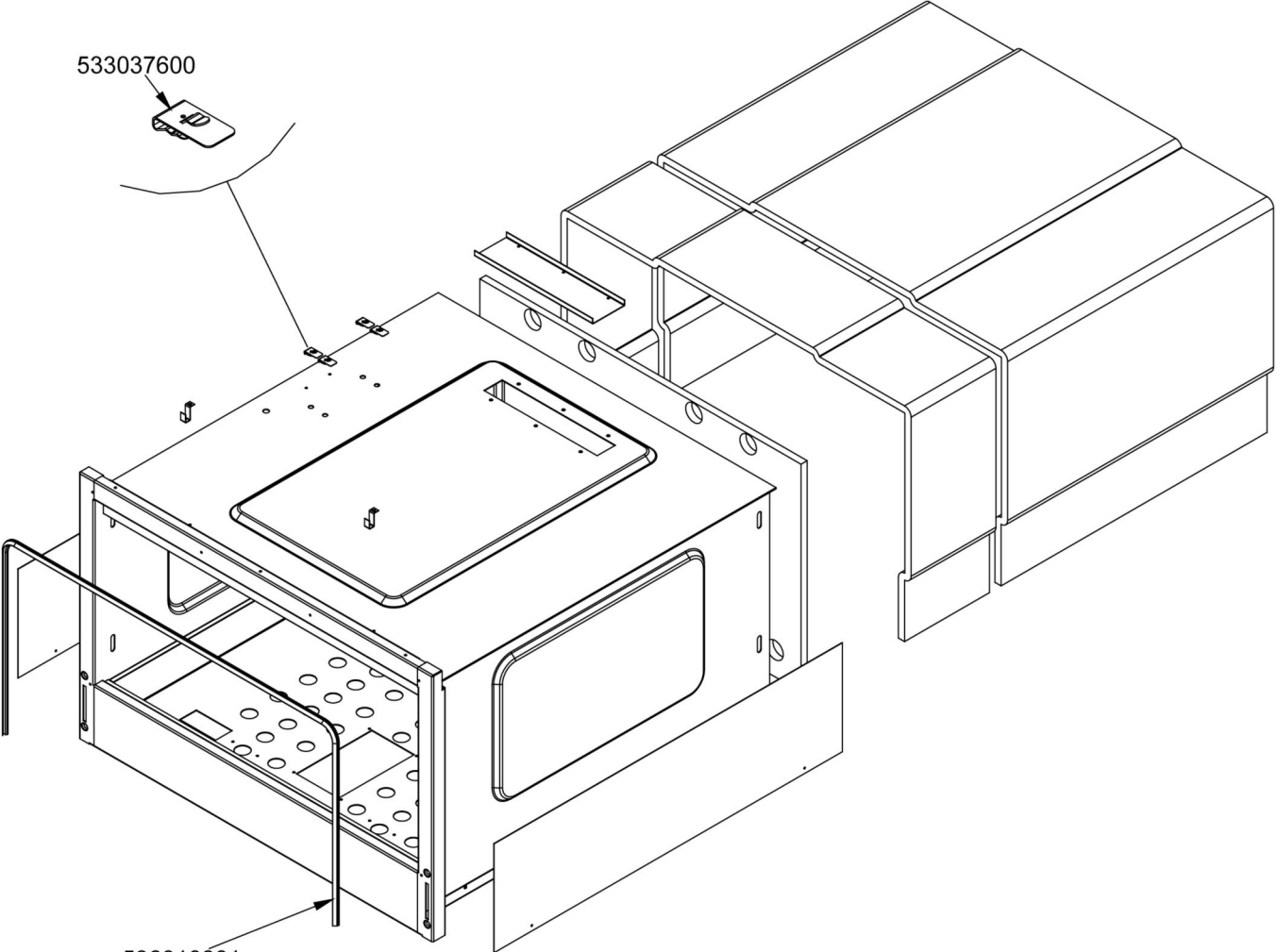


GN3/1



560099800M00P00

533037600



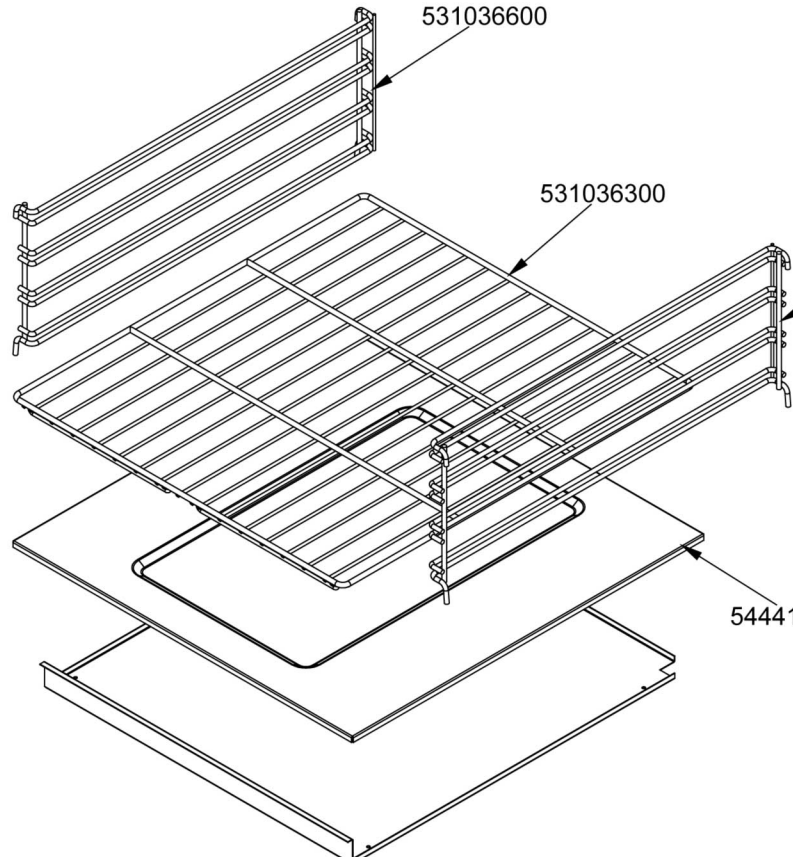
536010801

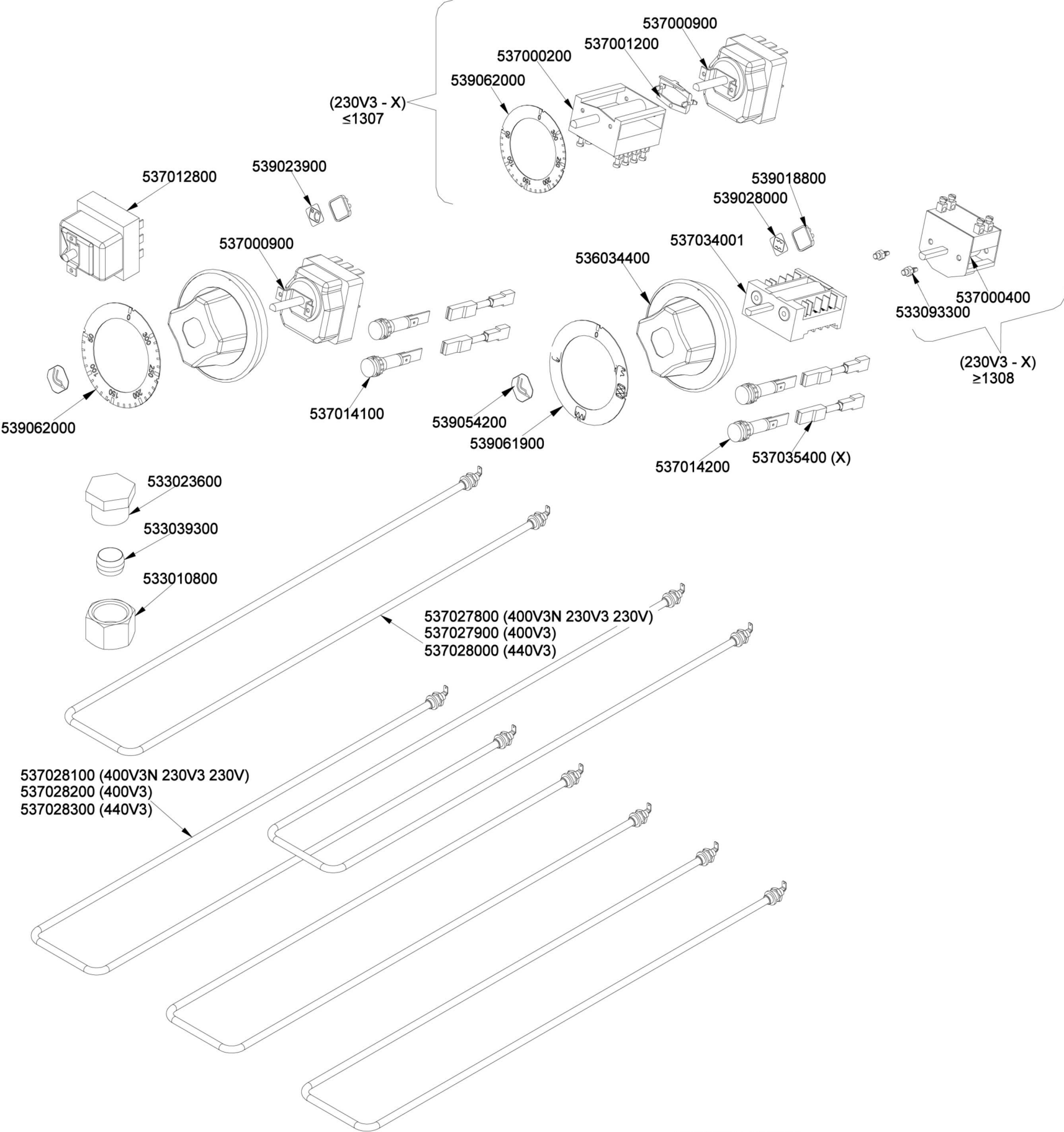
531036600

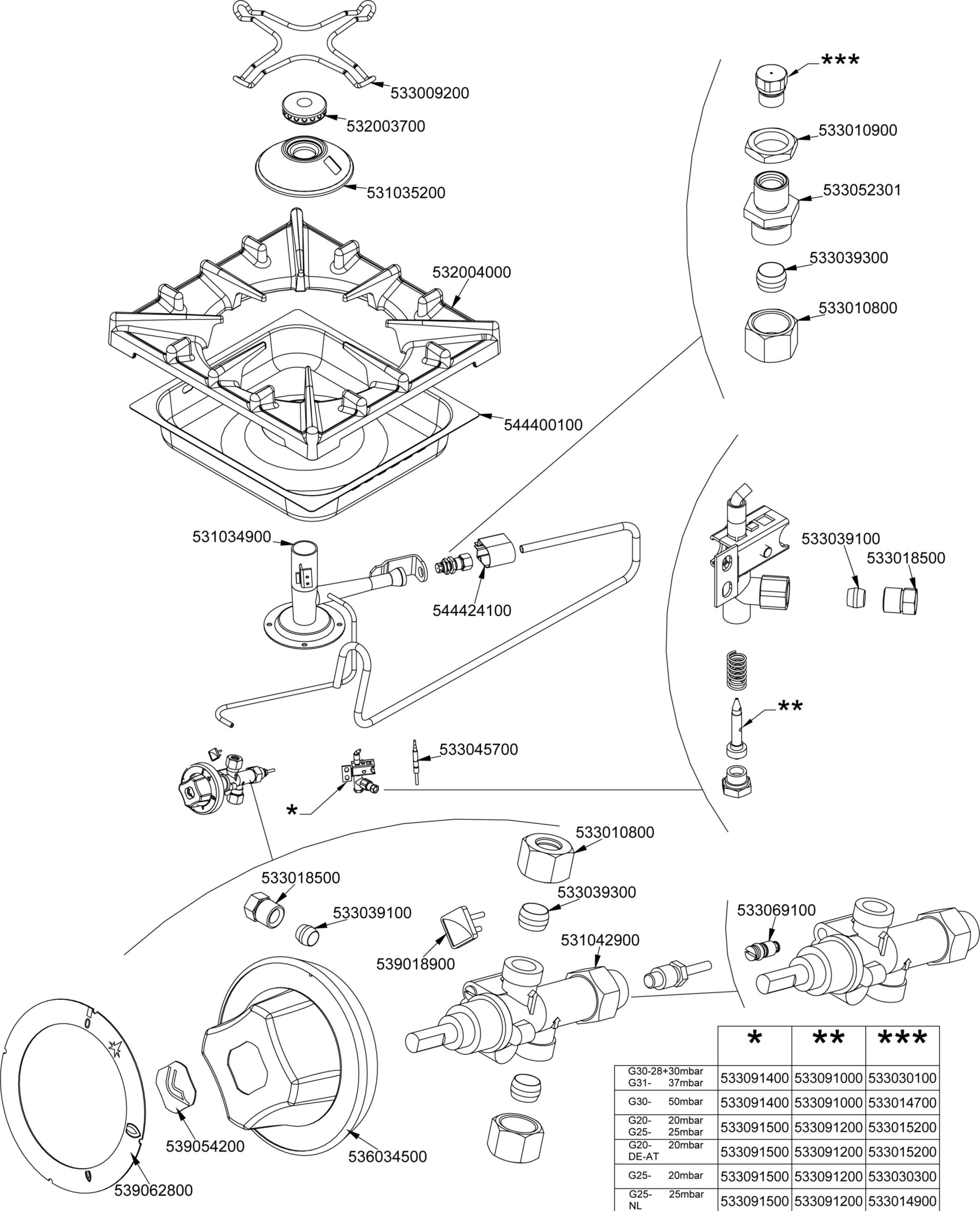
531036300

531036500

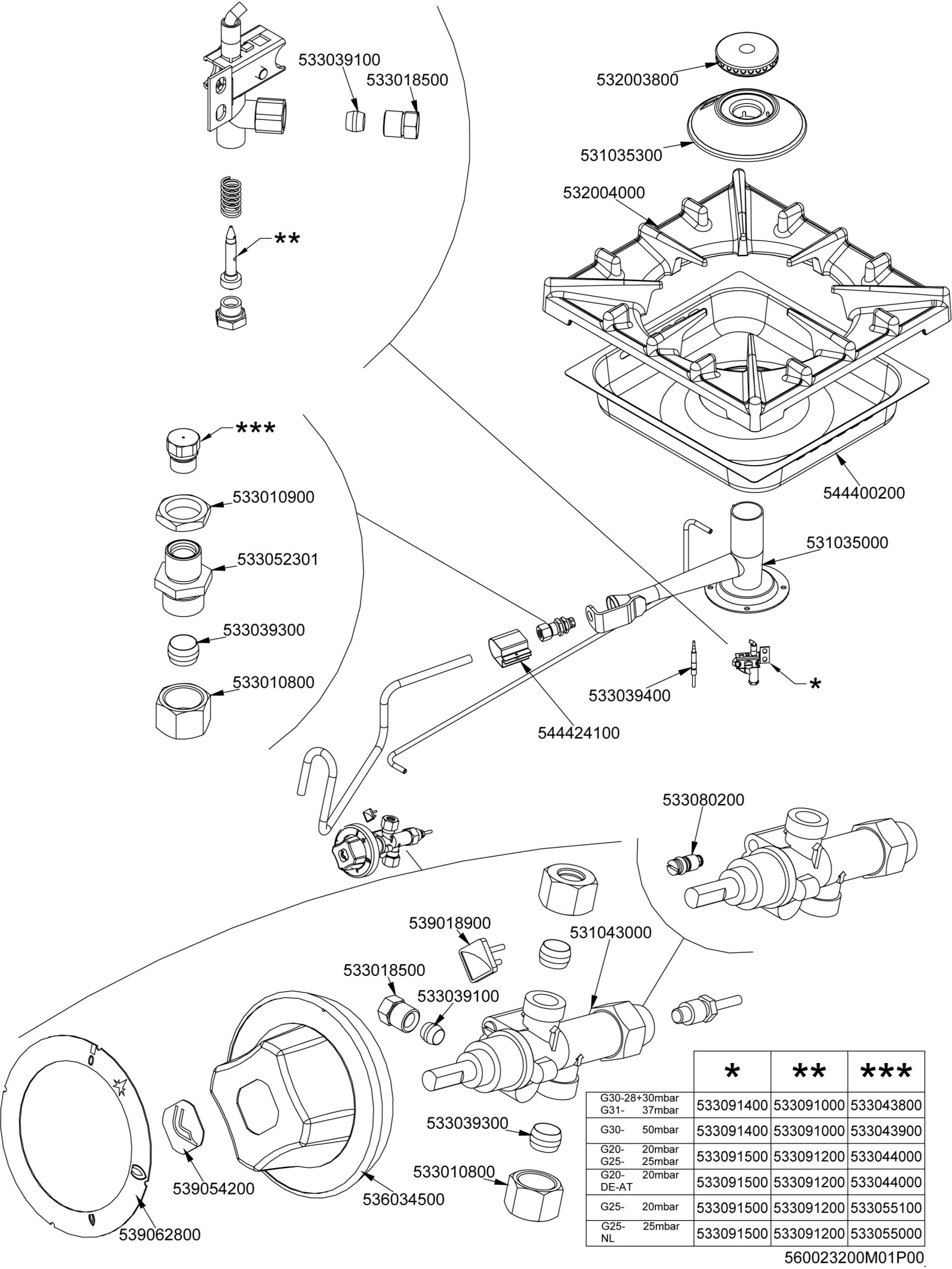
544410100



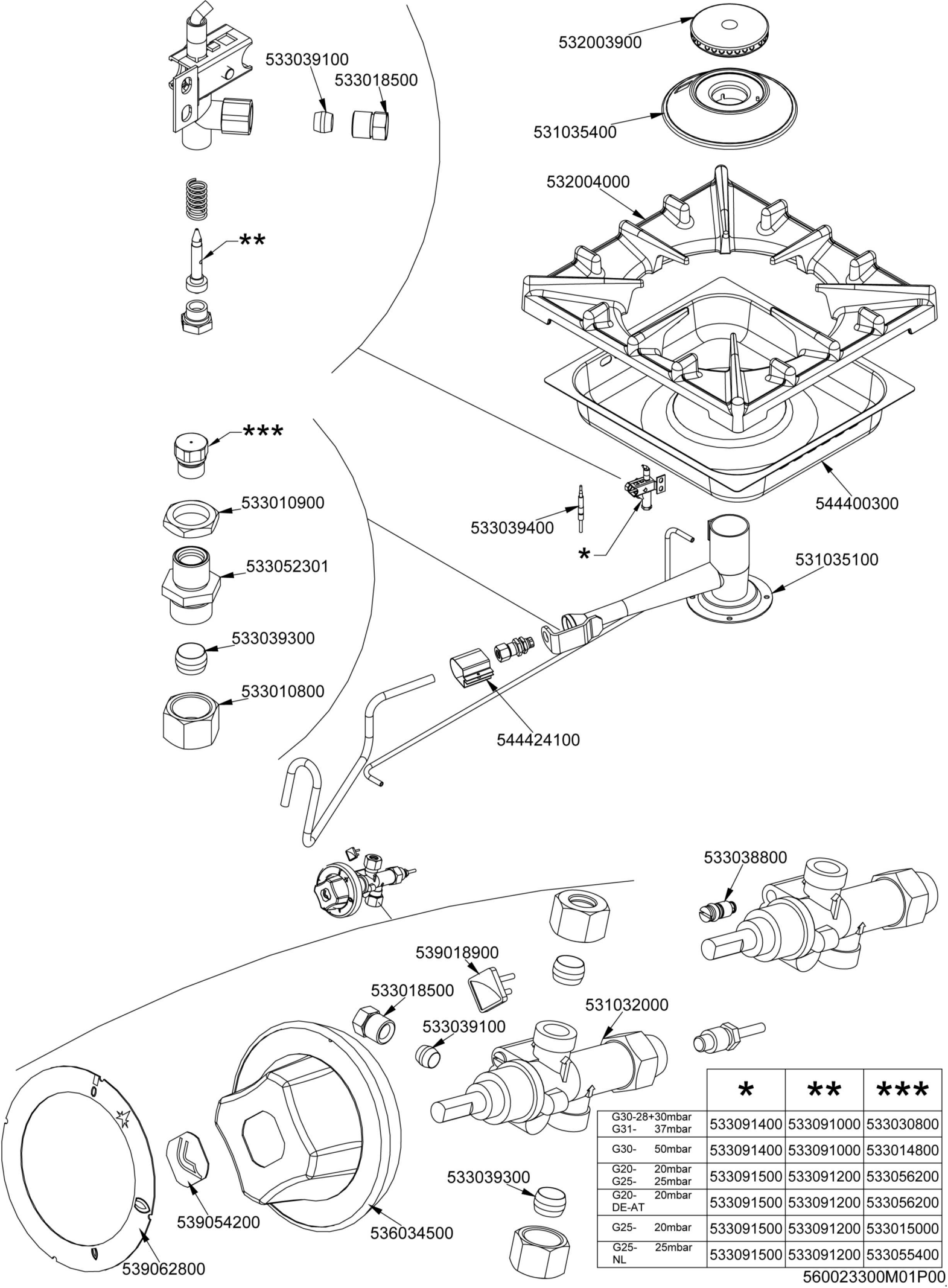




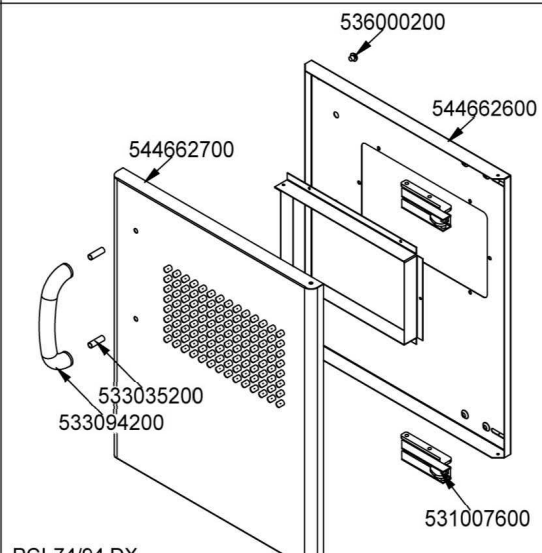
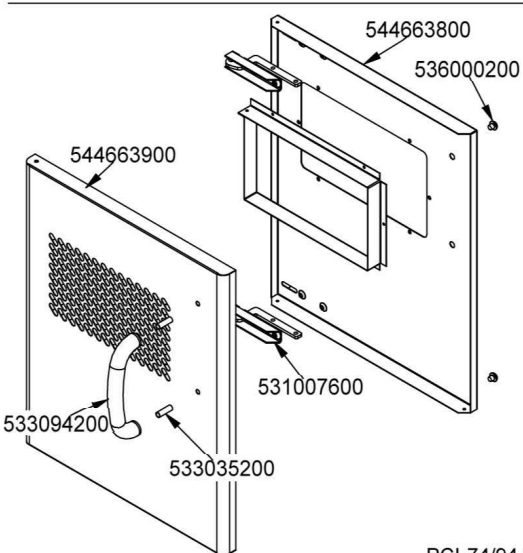
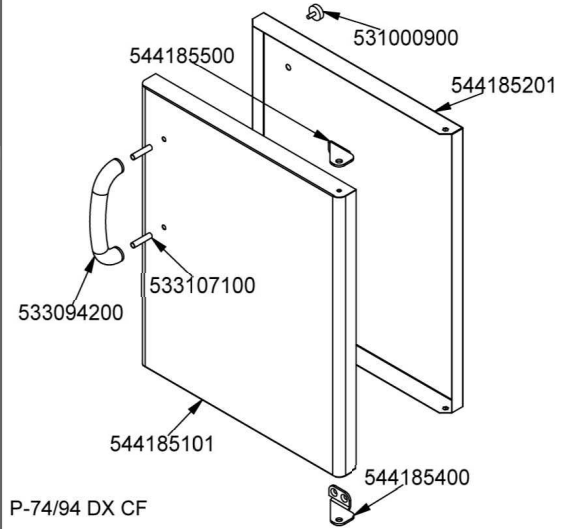
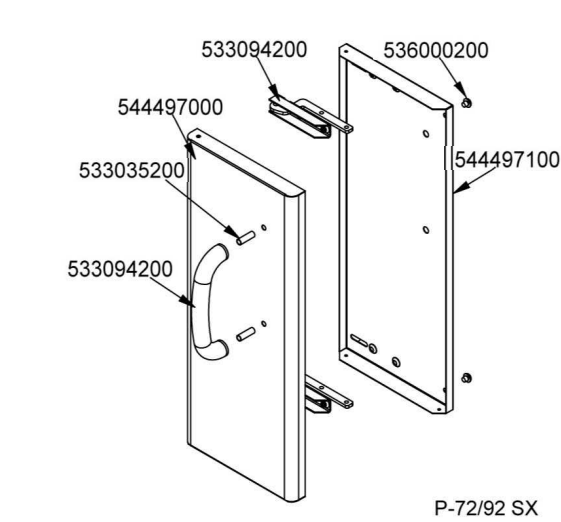
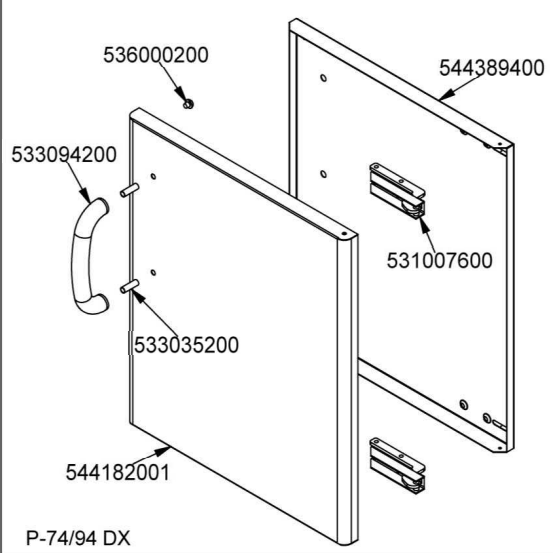
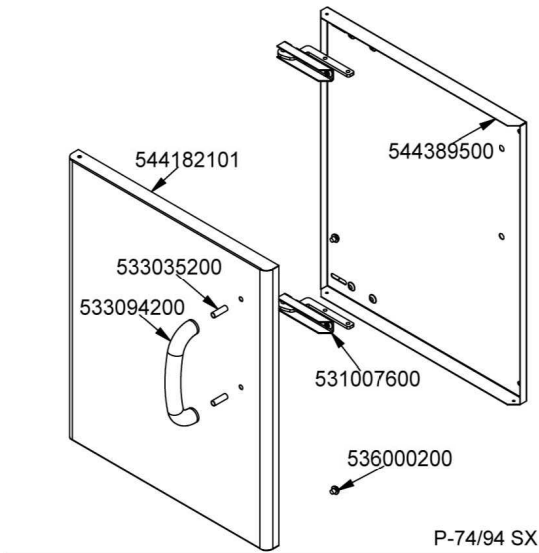
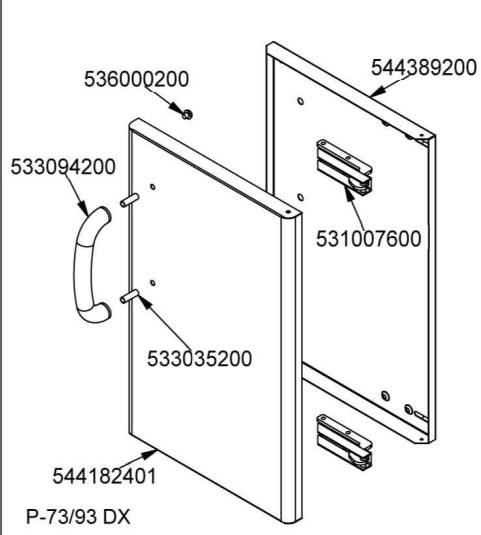
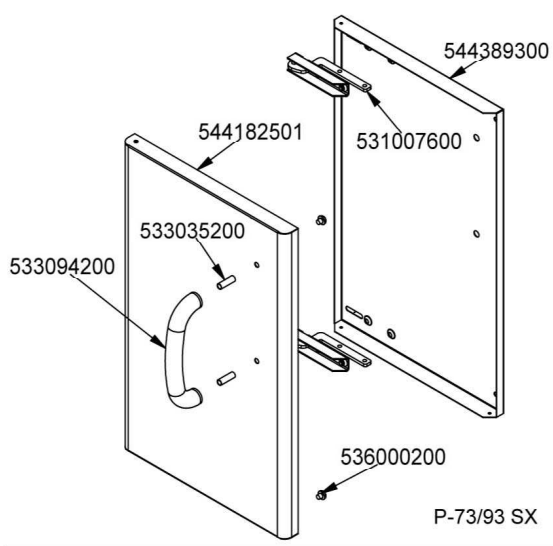
	*	**	***
G30-28+30mbar	533091400	533091000	533030100
G31- 37mbar	533091400	533091000	533014700
G30- 50mbar	533091400	533091000	533014700
G20- 20mbar	533091500	533091200	533015200
G25- 25mbar	533091500	533091200	533015200
G20- 20mbar	533091500	533091200	533015200
G25- 20mbar	533091500	533091200	533030300
G25- 25mbar	533091500	533091200	533014900
G25- NL	533091500	533091200	533014900



	*	**	***
G30-28+30mbar	533091400	533091000	533043800
G31- 37mbar	533091400	533091000	533043900
G30- 50mbar	533091500	533091200	533044000
G20- 20mbar	533091500	533091200	533044000
G25- 25mbar	533091500	533091200	533055100
G20- 20mbar DE-AT	533091500	533091200	533055000
G25- 20mbar	533091500	533091200	533055000
G25- 25mbar NL	533091500	533091200	533055000



	*	**	***
G30-28+30mbar G31- 37mbar	533091400	533091000	533030800
G30- 50mbar	533091400	533091000	533014800
G20- 20mbar G25- 25mbar	533091500	533091200	533056200
G20- 20mbar DE-AT	533091500	533091200	533056200
G25- 20mbar	533091500	533091200	533015000
G25- 25mbar NL	533091500	533091200	533055400



Page	Pos	Code	Description
001		532004100	FLUE GRID L=370 90LINE (RAF
001		541117300	UPPER PLATE PC-912G CF6-912G/GE/GEV
001		544407200	RIGHT SIDE PANEL RANGE 70 LINE
001		537036500	TERMINAL BLOCK 4POLES 40A SCREW-SCR
001		537027400	TERMINAL BLOCK THREEPHASE 40A
001		541119901	CONTROL PANEL S70/90 CF6-912G/GE
001		544407100	RIGHT SIDE PANEL RANGE 90 LINE
001		536005200	INOX LEG 2" 120-180 M10
002		544187100	OVEN INNER DOOR GN 2/1 70/90LINE
002		531022800	LEFT OVEN DOOR HINGE S.70
002		531013100	OVEN DOOR HANDLE OF 70/90-LINE
002		544186900	OVEN DOOR GN 2/1 70/90LINES
002		531022700	RIGHT OVEN DOOR HINGE 70LINE
002		531022900	HINGE DOOR WHEEL HOLDER S.70
002		541102300	GAS OVEN INNER DOOR GN 3/1 S.70
002		544187000	OVEN DOOR GN 3/1 S.70
003		533037600	LOCK SPRING FOR BULB
003		536010801	OVEN GASKET GN 2/1 (1308
003		531036600	LHD RACK HOLDER FOR OVEN S.90
003		531036300	OVEN RACK GN 2/1 FOR 90 LINE
003		531036500	RHD RACK HOLDER FOR OVEN S.90
003		544410100	90 ELECTRICAL OVEN BOTTOM GN2/1
004		539023900	SIGN PLATE FOR OVEN TEMPERATURE
004		537012800	SAFETY THERMOSTAT 420°C THREEPHASE
004		537000900	THERMOSTAT 063-320°C THREEPHASE
004		537014100	WHITE WARNING LIGHT 250V
004		539054200	STAMP O20,5 CR."L" LOTUS R.
004		539061900	ADESIVE DISK FOR SWITCH OVEN S70
004		536034400	KNOB §77 4P. §06*4,6 C/M
004		537034001	COMMUTATOR 4 POS.3PHASE S.42 16A
004		539028000	SELECTOR SIGN PLATE FOR OVEN
004		539018800	BLANK INDEX FOR KNOB
004		537014200	GREEN WARNING LIGHT 250V
004		539062000	ADESIVE DISK THERMOSTAT OVEN S70
004		533023600	TAP PLUG §10 M16*1, 5CH19
004		533039300	BICONE §10
004		533010800	TUBE NUT D.10 M16*1,5
004		537027800	OVENUPPER HEATING EL. W800 V230 90L
004		537027900	OVENUPPER HEATING EL. W800 V400 90L
004		537028000	OVENUPPER HEATING EL. W800 V440 90L
004		537028100	OVEN LOWER HEATING EL.W700 V230 90L
004		537028200	HEATING ELEMENT 1700W 400V OVEN S70
004		537028300	OVEN LOWER HEATING EL.W1700 V230 90
005		533009200	REDUCTION GRATE FOR 65-70LINES+FO
005		532003700	BURNER COVER RING §060
005		531035200	SMALL BURNER BODY 90 LINE
005		533010900	NUT M14*1 H.4
005		533052301	JOINT FOR NOZZLE HOLDER
005		533039300	BICONE §10
005		533010800	TUBE NUT D.10 M16*1,5
005		532004000	1 FLAME GRILL 396X366 (90

Page	Pos	Code	Description
005		544400100	BURNER DRIP PAN 2/3
005		531034900	SMALL BURNER VENTURI 90 LINE
005		544424100	AIR ADJUSTMENT BUSHING*BURNER PC90
005		533039100	BICONE §6
005		533018500	FITTING FOR BICONE D.6 M10*1
005		533045700	THERMOCOUPLE M9*1 500
005		539018900	INDEX FOR KNOB W/RED SIGN
005		531042900	B.PASS §60 SAFETY COCK PC/CF 90
005		533069100	BY PASS COCK §60 20S
005		539062800	RED STICKING DISK 72
005		539054200	STAMP Ø20,5 CR."L" LOTUS R.
005		536034500	KNOB §77 4P. §08*6,5
005		533091400	P.NOZZLE S100 UG.§20 PC90 LPG-FLUS
005		533091500	PILOT NOZZLE S.100 §30 PC90 NAT.GAS
005		533091000	NOZZLE 0.100 §20
005		533091200	PILOT NOZZLE 0100 Ø35 PIL.PC
005		533030100	NOZZLE §95 CH12*14 G-FP
005		533014700	NOZZLE §85 CH12*14 F-FQ5
005		533015200	NOZZLE §145 CH12*14 F-FP/CP6
005		533030300	NOZZLE §160 CH12*14 M-FPG
005		533014900	NOZZLE §150 CH12*14 F-FQ5 L-FQ6
006		533039100	BICONE §6
006		533018500	FITTING FOR BICONE D.6 M10*1
006		532003800	BURNER COVER RING §082
006		531035300	MEDIUM BURNER BODY 90 LINE
006		532004000	1 FLAME GRILL 396X366 (90
006		544400200	BURNER DRIP PAN 2/3
006		533010900	NUT M14*1 H.4
006		531035000	MEDIUM BURNER VENTURI 90 LINE
006		533052301	JOINT FOR NOZZLE HOLDER
006		533039300	BICONE §10
006		533010800	TUBE NUT D.10 M16*1,5
006		533039400	THERMOCOUPLE M9*1*850
006		544424100	AIR ADJUSTMENT BUSHING*BURNER PC90
006		533080200	BY PASS COCK §65 20S-21S
006		539018900	INDEX FOR KNOB W/RED SIGN
006		531043000	GAS COCK 21S P.V. BY-PASS §065
006		539054200	STAMP Ø20,5 CR."L" LOTUS R.
006		536034500	KNOB §77 4P. §08*6,5
006		539062800	RED STICKING DISK 72
006		533091400	P.NOZZLE S100 UG.§20 PC90 LPG-FLUS
006		533091500	PILOT NOZZLE S.100 §30 PC90 NAT.GAS
006		533091000	NOZZLE 0.100 §20
006		533091200	PILOT NOZZLE 0100 Ø35 PIL.PC
006		533043800	NOZZLE §130 CH12*14 G-CW4
006		533043900	NOZZLE §115 CH12*14 F-CW4
006		533044000	NOZZLE §195 CH12*14 M-CW4
006		533055100	NOZZLE §215 CH12*14 L-CW4
006		533055000	NOZZLE §205 CH12*14 G25 CW4
007		533039100	BICONE §6
007		533018500	FITTING FOR BICONE D.6 M10*1

Page	Pos	Code	Description
007		532003900	BURNER COVER RING §100
007		531035400	BIG BURNER BODY 90 LINE
007		532004000	1 FLAME GRILL 396X366 (90
007		533010900	NUT M14*1 H.4
007		533039400	THERMOCOUPLE M9*1*850
007		544400300	BURNER DRIP PAN 2/3
007		533052301	JOINT FOR NOZZLE HOLDER
007		531035100	BIG BURNER VENTURI 90 LINE
007		533039300	BICONE §10
007		533010800	TUBE NUT D.10 M16*1,5
007		544424100	AIR ADJUSTMENT BUSHING*BURNER PC90
007		533038800	75 BY-PASS FOR 21S TAP
007		531032000	GAS COCK P.V.BY-PASS Ø075
007		539018900	INDEX FOR KNOB W/RED SIGN
007		536034500	KNOB §77 4P. §08*6,5
007		539054200	STAMP Ø20,5 CR."L" LOTUS R.
007		539062800	RED STICKING DISK 72
007		533091400	P.NOZZLE S100 UG.§20 PC90 LPG-FLUS
007		533091500	PILOT NOZZLE S.100 §30 PC90 NAT.GAS
007		533091000	NOZZLE 0.100 §20
007		533091200	PILOT NOZZLE 0100 Ø35 PIL.PC
007		533030800	NOZZLE §155 CH12X14 M-CW
007		533014800	NOZZLE §135 CH12*14,0
007		533056200	NOZZLE §230 CH12*14
007		533015000	NOZZLE D.I 260 G110 (TOWN GAS
007		533055400	NOZZLE §245 CH12*14
008		544389300	CONTROP.73 SX APP. LT
008		531007600	DOOR HINGE
008		544182501	LEFT DOOR 73
008		533094200	S/S HANDLE FOR 70/90 SERIES
008		533035200	HANDLE SPACER
008		536000200	D.12 H.4 BUMPER
008		544389200	CONTROP.73 DX APP. LT
008		544182401	RIGHT DOOR 73
008		544182101	LEFT DOOR 74
008		544389500	INNER-DOOR OF LHD 74
008		544389400	CONTROP.74 DX APP. LT
008		544182001	RIGHT DOOR 74
008		544497000	PORTA 72 SX
008		544497100	CONTROP.72 SX APP. LT
008		544185101	RIGHT DOOR 74 CF
008		533107100	HANDLE SPACER OF CF-70
008		544185500	UPPER DOOR HINGE FOR COMPARTME CF70
008		531000900	MAGNET §22 KG.3 WITH DISK
008		544185201	INNER DOOR * 74DX
008		544185400	LOWER DOOR HINGE FOR COMPARTME CF70
008		544663900	LHD 74 DOOR FOR PCI
008		544663800	74 LHD OVEN INNER DOOR FOUR PCI
008		544662700	DOOR 74 DX PCI
008		544662600	CONTROP.74 DX APP. LT PCI