

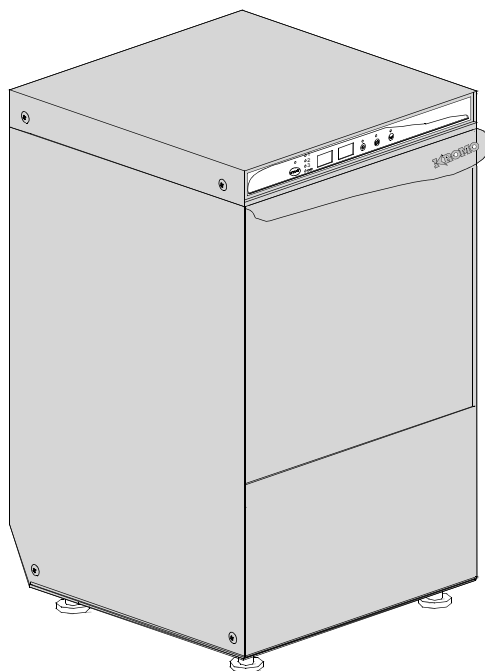
DISHWASHER

ELECTRONICAL SWITCHES
LOWER AND UPPER WASHING

TYPE: LUX41

Accessories
BREAK TANK
BOOSTER PUMP
DVGW
COLD RINSE
DETERGENT DISPENSER
DRAIN PUMP

Spare parts manual



Parti di ricambio Spare Parts Catalogues pièces

INFORMAZIONI GENERALI

Questo catalogo serve per richiedere con esattezza le parti di ricambio

Nelle ordinazioni indicare:

1) il numero dei codici dei particolari seguito dalla descrizione e la quantità desiderata;

2) Il codice alfa-numerico presente nella seconda colonna della tabella ;

I disegni delle parti di ricambio sono solo indicativi e non rappresentano il pezzo in oggetto.

I dati contenuti in questo catalogo sono indicativi e possono essere soggetti a modifiche senza impegno di preavviso.

ALLGEMEINE INFORMATIONEN

Dieser Ersatzteilkatalog dient zur genauen Angabe der Teile bei Ersatzteilbestellungen.

Bei Ersatzbestellung ist folgendes anzugeben:

1) Die Bestellnummer der Ersatzteile mit der entsprechenden Beschreibung genaue Menge;

2) Der alpha-numerischer Code auf der zweiten Reihe in dein Spalte;

Die Zeichnungen der Ersatzteile sind nur als Hinweise gedacht und stellen nicht das betroffene Teil dar.

Bei den im Katalog angeführten Daten handelt es sich um Anhaltsdaten, die jederzeit, ohne Vorankündigung, geändert werden können.

GENERAL INFORMATION

The present spare parts order exactly the right spare parts

When ordering specify:

1) the part's code number followed by its description and quantity needed;

2) The alpha-numeric code is in the second column in the chart;

Spare parts drawings are general and do not represent the part.

The contents of this catalogue are general and can undergo changes without prior notice.

INFORMACIONES GENERALES

El presente catálogo sirve para pedir con exactitud las partes de repuesto

En los pedidos se debe indicar:

1) el número de código de la parte y a continuación la descripción cantidad deseada;

2) El código alfanumerico presente en la signada columna de la tabla;

Los diseños de las partes de recambio son solo indicativos y no representan la pieza en cuestión.

Los datos contenidos en el presente catálogo son indicativos y pueden modificarse sin aviso previo.

INFORMATIONS GENERALES

Ce catalogue permet de commander correctement les pièces détachées

Les commandes doivent être passées en indiquant:

1) le numero de code des pièces dééectachées suivi de leur description quantité désirée;

2) le code alphanumérique dans la deuxième colonne du tableau;

Les plans des pièces détachées sont fournis seulement à titre indicatif et ne représentent pas la pièce concernée.

Les données de ce catalogue sont citées seulement à titre indicatif et peuvent être l'objet de modifications sans avis préalable.

ESEMPIO EXAMPLE EXEMPLE BEISPIEL

Rif.	Codici
MODULE:Particolari	
10505	540903
10510	540908
10515	15065/A
10520	540086
10525	540028

Note

Tutte le informazioni riportate si intendono aggiornate alla data di stampa. Il Produttore si riserva il diritto di apportare qualsiasi modifica richiesta dallo sviluppo evolutivo dei suddetti prodotti.

Per la sicurezza, la garanzia, l'affidabilità ed il valore della lavastoviglie usa solo ricambi originali. **Per alcuni codici, sono richieste quantità minime d'ordine.**

Attenzione

Questo libretto è parte integrante della lavastoviglie e, in caso di passaggio di proprietà, deve essere consegnato al nuovo acquirente.

Note

The information contained herein is valid at the time of going to print. The Company reserves the right to make any changes required by the future development of the above-mentioned products.

For your safety, as well as to preserve the warranty reliability and worth of your dishwashers, use original spare parts only. **For some codes a minimum quantity for order is required.**

Warning

This manual forms an integral part of the dishwashers and - if a transfer of title occurs - must always be handed over to the new owner.

Remarque

Toutes les informations contenues dans ce manuel s'entendent mises à jour à la date d'impression. En raison du développement constant de ses produits, usine se réserve le droit d'apporter à tout instant les modifications qu'elle jugera utiles.

Pour la sécurité, la garantie, la fiabilité et la valeur de votre lavevaisselles n'utilisez que des pièces de rechange d'origine. **Pour quelque référence on demande un minimum de pièces par commande**

Attention

Ce manuel doit être considéré comme partie intégrante de la lavevaisselles, en cas de transfert de propriété, doit toujours être remis au nouveau propriétaire.

Hinweis

Die Der Hersteller behält sich das Recht vor, jegliche, durch eine Weiterentwicklung der genannten Produkte bedingte Änderungen vornehmen zu können.

Verwenden Sie für Ihre Sicherheit, die Garantie, die Zuverlässigkeit und den Wert Ihrer machine originale Ersatzteile. **Für bestimmte Code nummer werden mindesten bestellungen verlangt.**

Achtung

Diese Betriebsanleitung ist Bestandteil des machine und muss bei seinem Weiterverkauf dem neuen Besitzer ausgehändigt werden.

1. Spare parts

General body parts.....	7
Lockup system	9
Lockup system	11
Lockup system	13
Control panel and switches.....	15
Electric control ELEKTRO.....	17
Solenoid valve group	19
Booster pump.....	21
DVGW	23
Rinse aid dispenser group.....	25
Rinse aid dispenser group.....	27
Boiler group	29
3 ways connection	31
Wash pump	33
Dosing detergent group.....	35
Dosing detergent group.....	37

Drain pump group.....39

Pressure switch group with air trap ...41

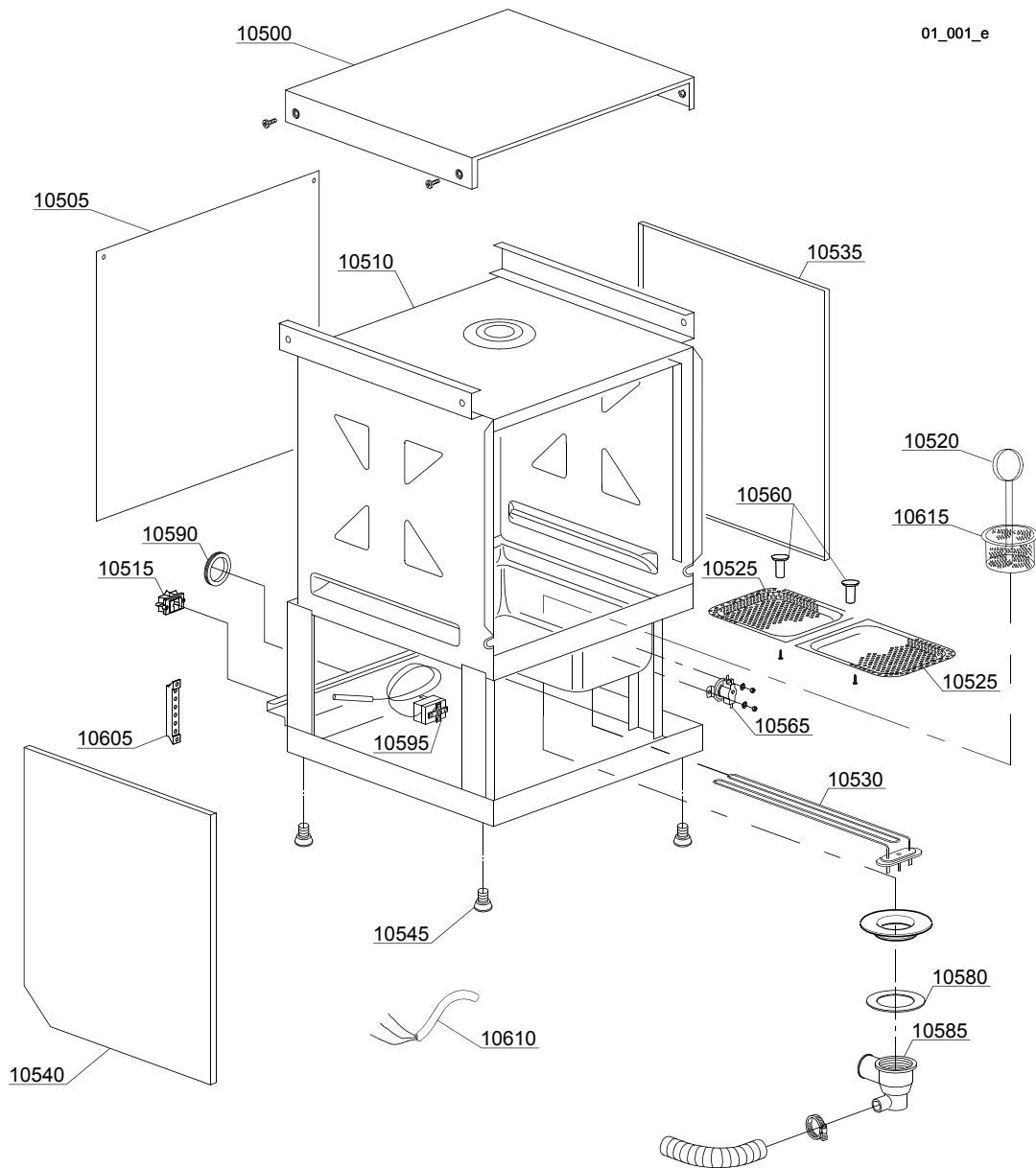
Turret group with rotating arms43

1.1 Voltage codes

Voltage code	Voltage
A	3/N/PE~400/230V 50Hz
B	~250V 16A 50Hz
C	3/N/PE~380/220V 50Hz
D	3/PE~200V 50-60Hz
F	2/PE 220-240V 50Hz
G	3/N/PE~415/240V 50Hz
H	3/PE~230V 50Hz
I	3/PE~220V 60Hz
J	3/PE~380 50Hz
K	3/PE~400V 50Hz
L	3/PE~415V 50Hz
M	3/PE~440V 60Hz
N	3/PE~460V 60Hz
O	3/PE~480V 60Hz
P	1/N/PE~220-240V 50Hz
R	2/PE~220-230V 60Hz
S	3/N/PE~400/230V 50Hz
T	3/PE~230V 60Hz

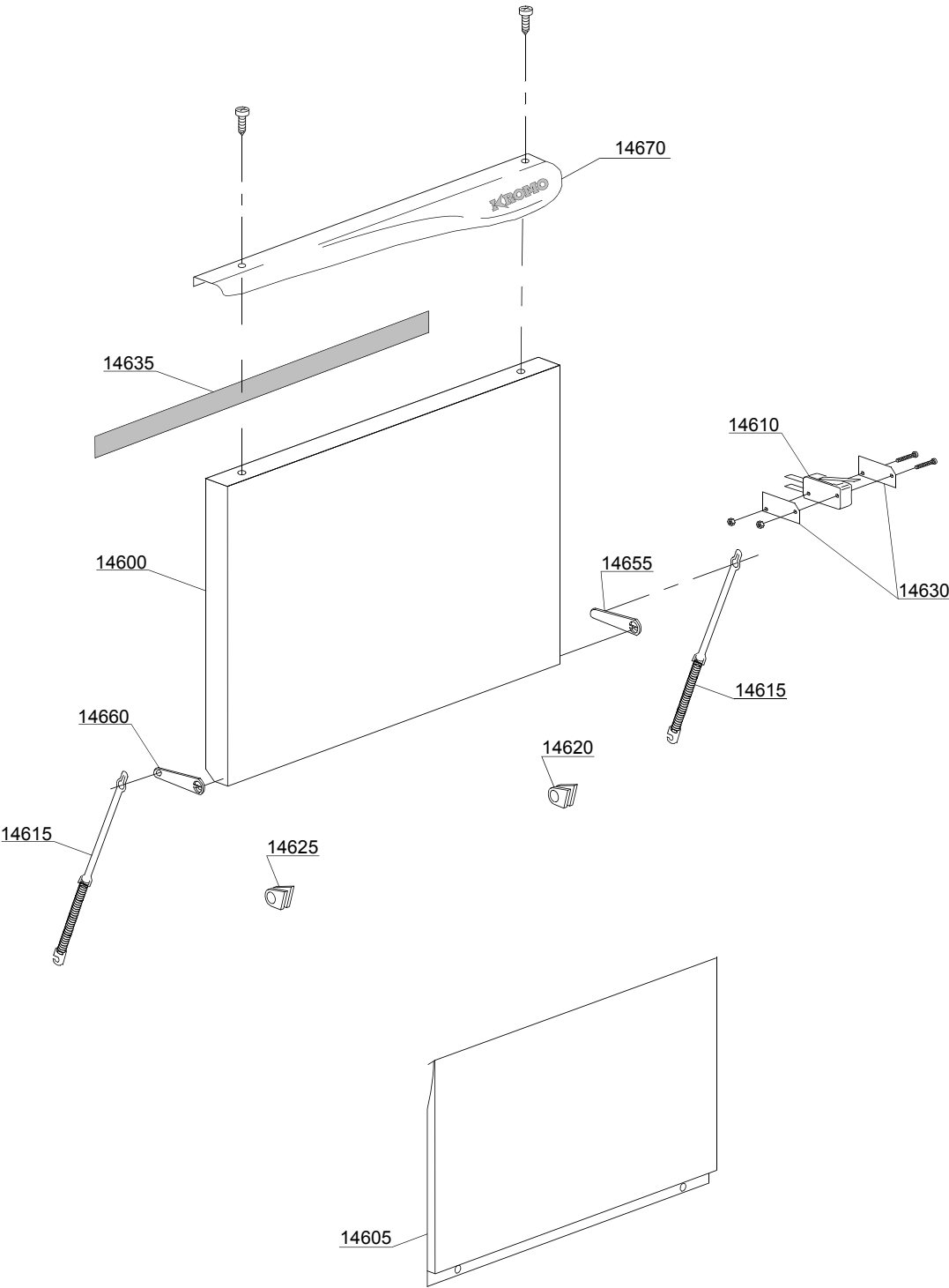
1.2 Product codes

Product code	Full name
Model codes	
ec	ELECTRONICAL SWITCHES
ls	LOWER AND UPPER WASHING
Type codes	
LUX41	LUX41
Accessory codes	
bt	BREAK TANK
pap	BOOSTER PUMP
dvgw	DVGW
fs	COLD RINSE
dde	DETERGENT DISPENSER
ps	DRAIN PUMP



Spare parts

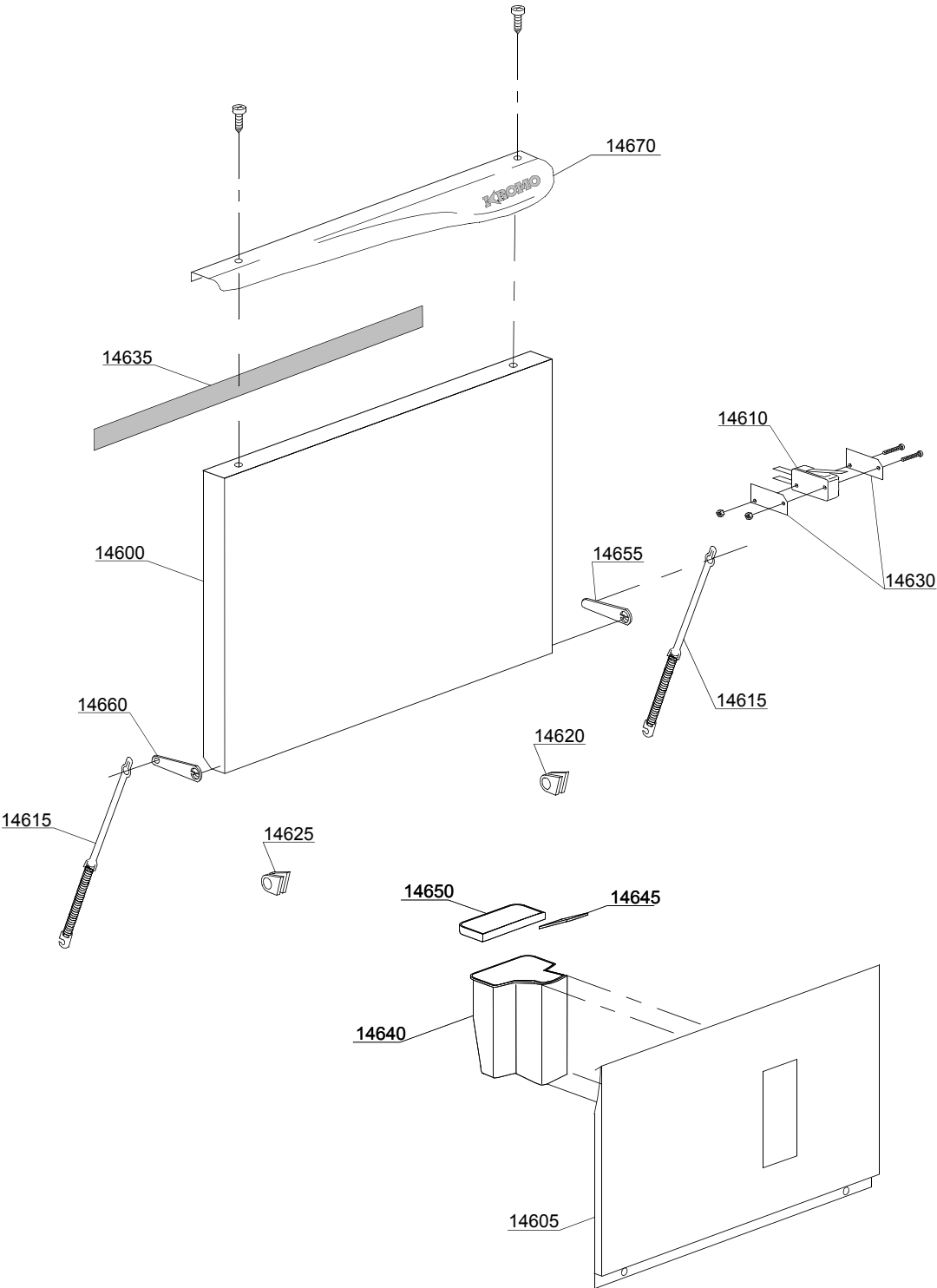
ID	P-code	Model	Type	Accessory	Voltage	Description
MODULE:General body parts						
10505	540903		LUX41			Back panel
10510	540908		LUX41			Body
10515	15065/A		LUX41			Cable-fastener with screw
10520	540086		LUX41			Filter handle
10525	540028		LUX41			Surface half-filter
10530	540406		LUX41			0,4/0,44KW 230/240V heating element
10535	540900		LUX41			Right side
10540	540901		LUX41			Left side
10545	10850		LUX41			Foot
10560	540039		LUX41			Surface filter handle
10565	15551		LUX41			Fixed tank thermostat in deviation
10580	80208		LUX41			95x75x3 O-ring
10585	500606		LUX41			Right side scrap tray
10590	13317		LUX41			Ø40mm lead through rubber
10595	10707/1		LUX41			0-90°C thermostat
10605	500551		LUX41			6 poles terminal board
10610	10713		LUX41			3x2,5x2500 cable
10610	15118		LUX41			5x2,5 cable
10615	540080		LUX41			Pump suction filter
10620	540088		LUX41			Ring nut for pump suction holder-filter



02_129_e

Spare parts

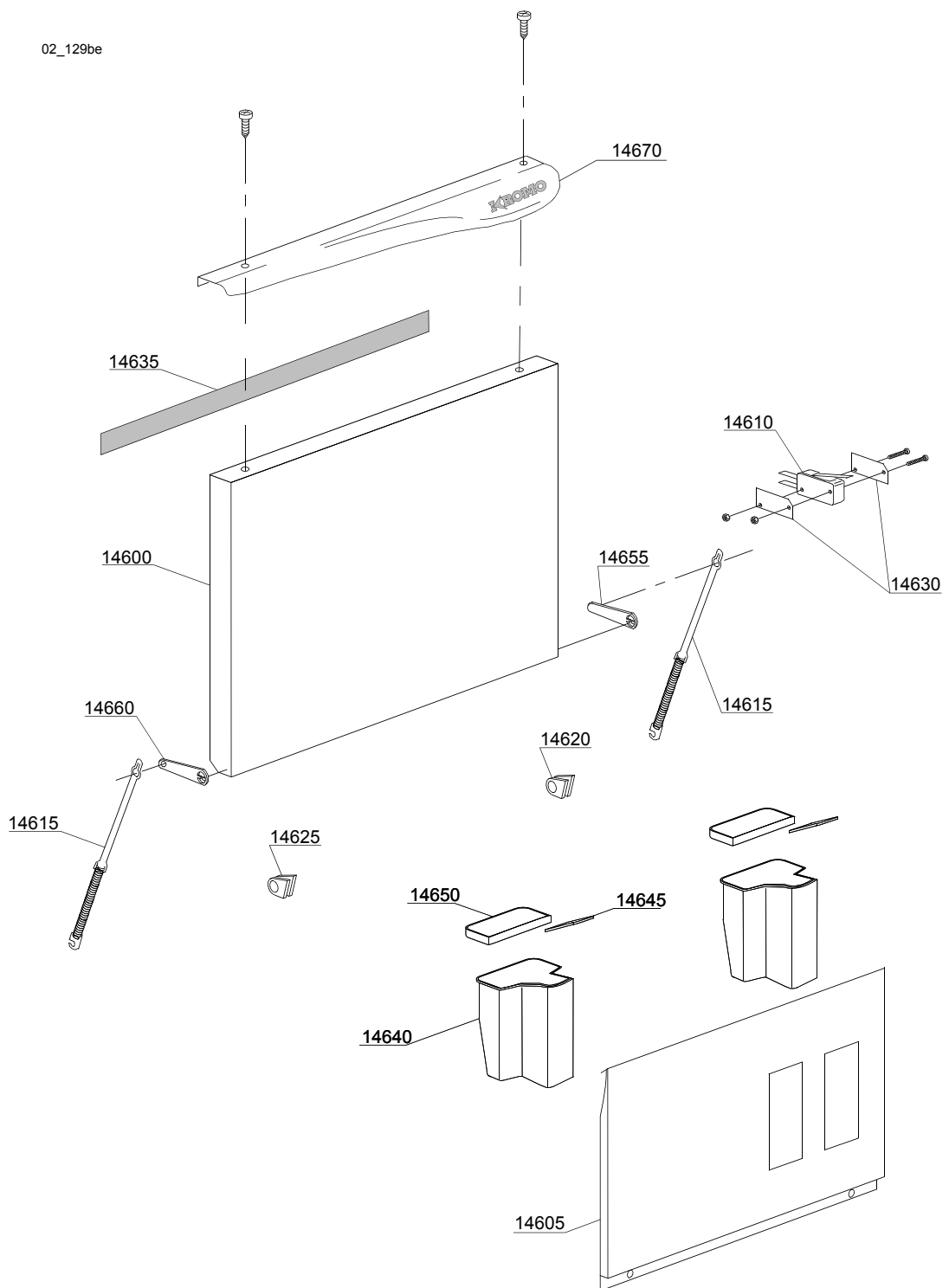
ID	P-code	Model	Type	Accessory	Voltage	Description
MODULE:Lockup system						
14600	540958		LUX41			Door with steel handle
14605	540902		LUX41			Lower door
14610	10704		LUX41			Door microswitch
14615	560003		LUX41			Door spring
14620	540035		LUX41			Right axle bush for door hinge
14625	540036		LUX41			Left axle bush for door hinge
14630	10770		LUX41			Insulation for door microswitch
14635	560021		LUX41			Profile for door O-ring
14640	540050		LUX41			Square tank
14645	540044		LUX41			Shining product tank cover
14650	540049		LUX41			Back tank cover
14655	540624		LUX41			Right arm for door
14660	540629		LUX41			Left arm for door
14670	540961		LUX41			Steel handle

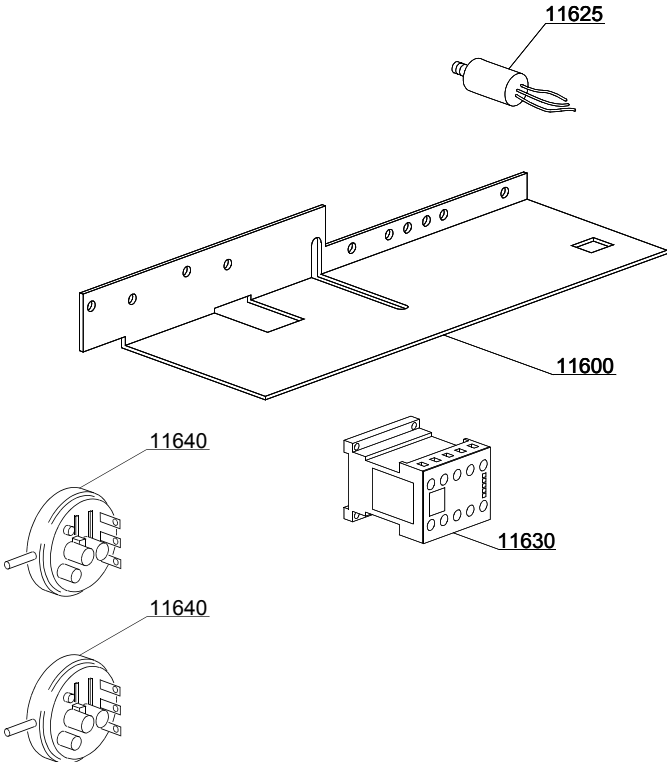


02_129ae

Spare parts

ID	P-code	Model	Type	Accessory	Voltage	Description
MODULE: Lockup system						
14600	540958		LUX41			Door with steel handle
14605	540936		LUX41			Lower door
14610	10704		LUX41			Door microswitch
14615	560003		LUX41			Door spring
14620	540035		LUX41			Right axle bush for door hinge
14625	540036		LUX41			Left axle bush for door hinge
14630	10770		LUX41			Insulation for door microswitch
14635	560021		LUX41			Profile for door O-ring
14640	540050		LUX41			Square tank
14645	540044		LUX41			Shining product tank cover
14650	540049		LUX41			Back tank cover
14655	540624		LUX41			Right arm for door
14660	540629		LUX41			Left arm for door
14670	540961		LUX41			Steel handle

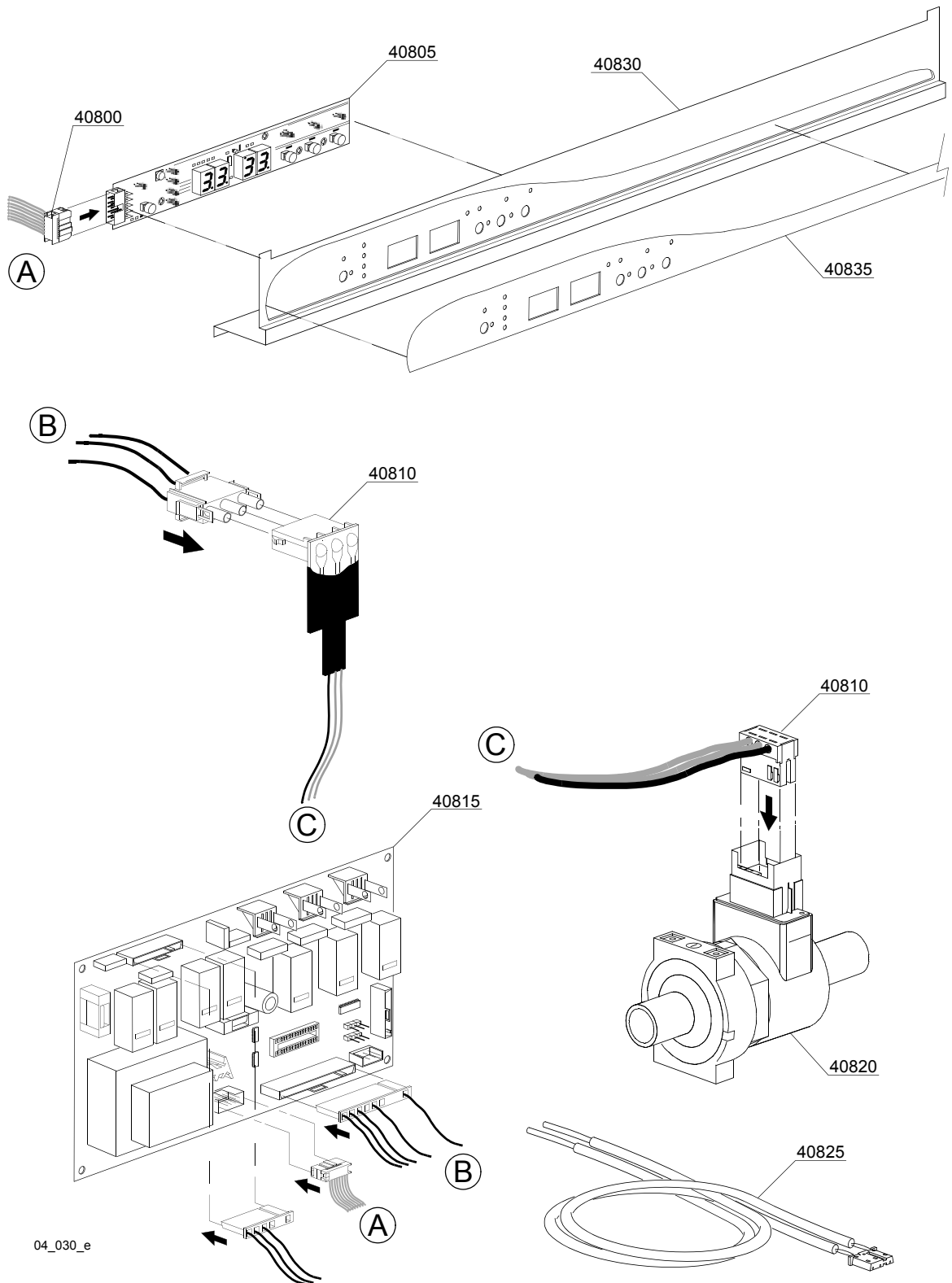




04_001ee

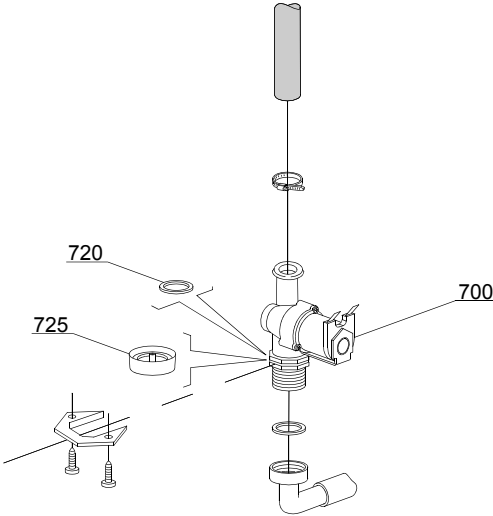
Spare parts

ID	P-code	Model	Type	Accessory	Voltage	Description
MODULE:Control panel and switches						
11600	540943		LUX41			Electric components panel
11625	15149		LUX41			Low noise filter
11630	15086		LUX41			Contactactor 230V 50/60Hz 4C
11630	15086/B		LUX41			Contactactor 240V 50Hz
11640	75950		LUX41			86-59 Work pressure switch
11640	540054		LUX41			18-33 Security pressure switch



Spare parts

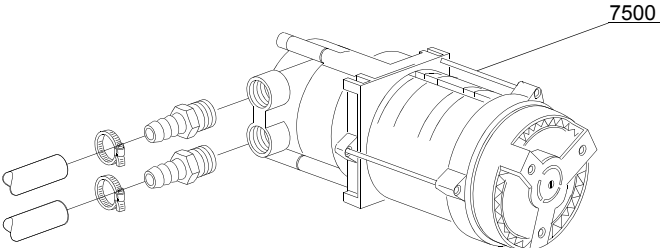
ID	P-code	Model	Type	Accessory	Voltage	Description
MODULE:Electric control ELEKTRO						
40800	50582		LUX41			"Elite"plug
40805	50581		LUX41			Touche sensitive "Elite"
40810	50584		LUX41			"Elite""water flow board
40815	50580		LUX41			"Elite"electronic timer+main board
40820	50583		LUX41			Water flow meter for "Elite"board
40825	50562		LUX41			Temperature probe set
40830	540963		LUX41			LUX 41 Control Panel
40835	540964		LUX41			Silkscreen processed grill LUX-41 EL



05_002_e

Spare parts

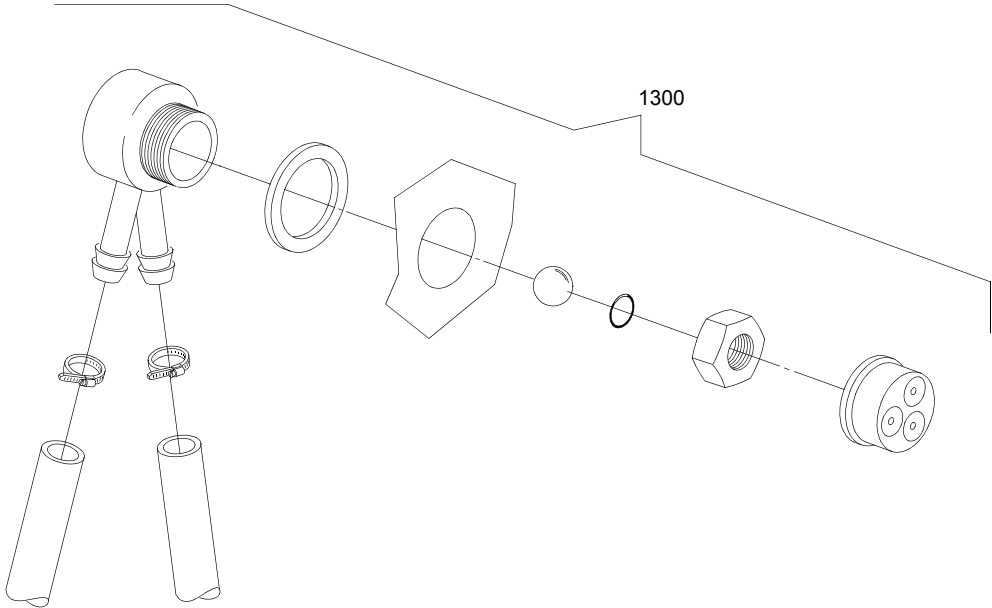
ID	P-code	Model	Type	Accessory	Voltage	Description
MODULE: Solenoid valve group						
700	10703		LUX41			Single solenoid valve
720	N.C.		LUX41			Pression reducing valve



07_003_e

Spare parts

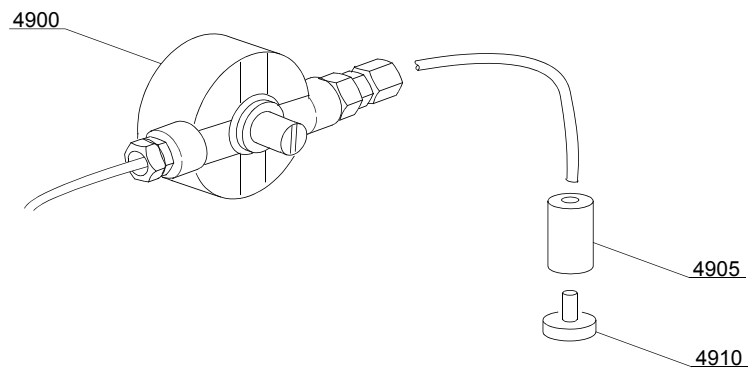
ID	P-code	Model	Type	Accessory	Voltage	Description
MODULE:Booster pump						
7500	15100/D		LUX41	bp		Booster pump 220-240/50



08_005_e

Spare parts

ID	P-code	Model	Type	Accessory	Voltage	Description
MODULE:DVGW						
1300	999900006		LUX41	dvgw		DVGW assembly

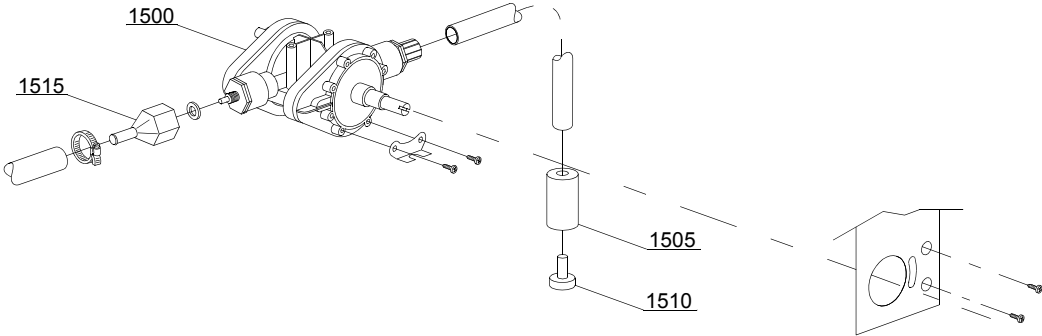


10_001_e

Spare parts

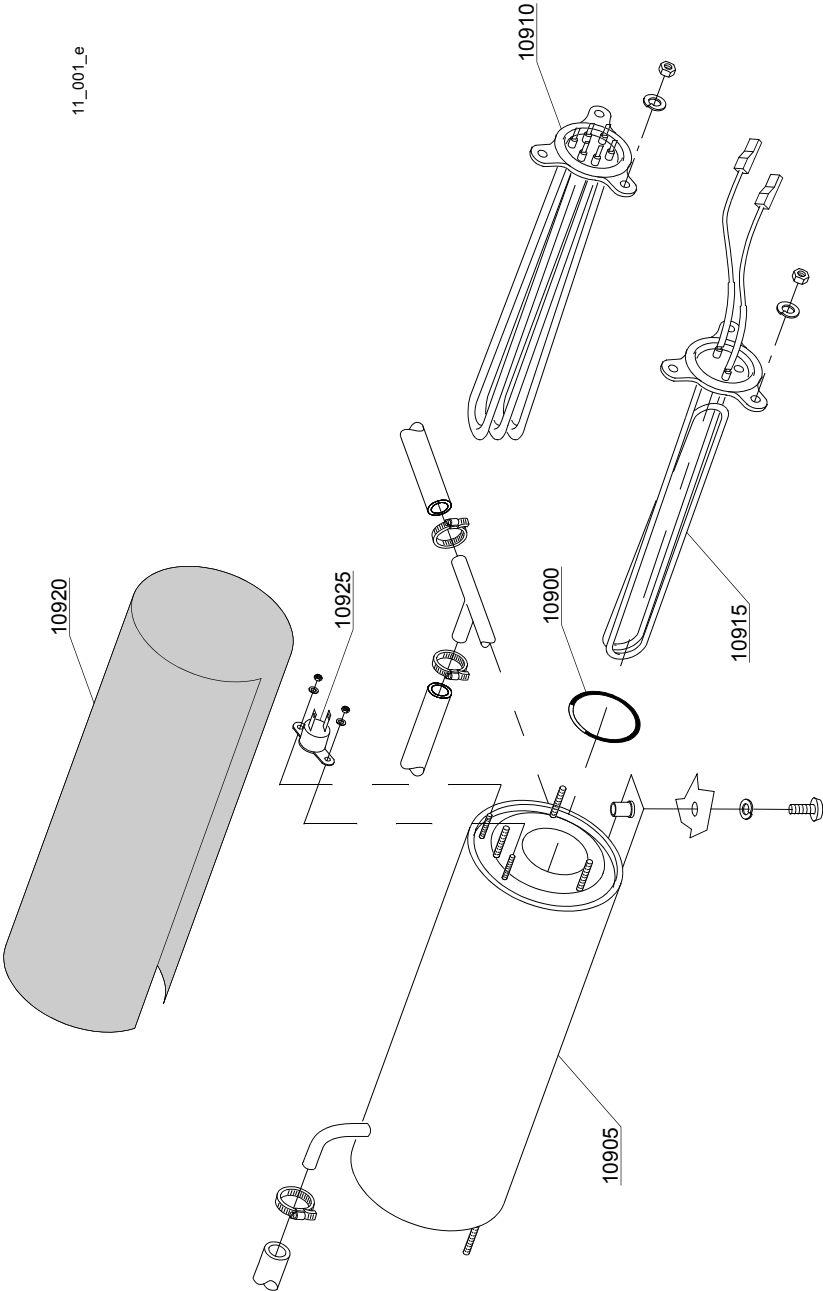
ID	P-code	Model	Type	Accessory	Voltage	Description
MODULE: Rinse aid dispenser group						
4900	10799/A		LUX41			Rinse aid dispenser
4905	12525		LUX41			Counter-weight
4910	15058		LUX41			Small filter

10_002_e



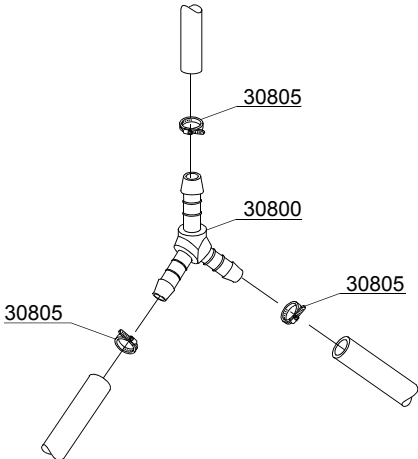
Spare parts

ID	P-code	Model	Type	Accessory	Voltage	Description
MODULE: Rinse aid dispenser group						
1500	10798		LUX41			Rinse aid dispenser
1505	12525		LUX41			Counter-weight
1510	15058		LUX41			Small filter
1515	10798/B		LUX41			Brass pipe fitting



Spare parts

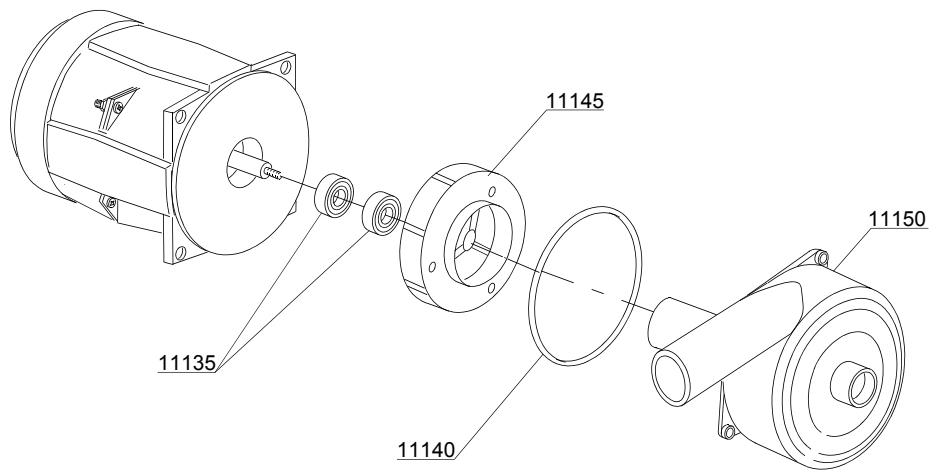
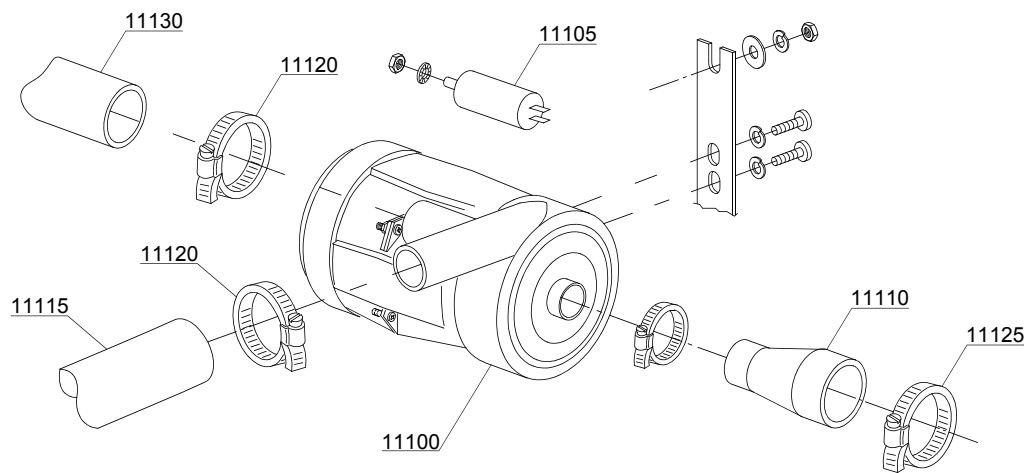
ID	P-code	Model	Type	Accessory	Voltage	Description
MODULE:Boiler group						
10900	13010		LUX41			OR O-ring
10905	540006		LUX41			Boiler
10910	18215		LUX41			4/4,36KW 230/240/3 heating element
10915	18206/D		LUX41			2,8/3,05KW 230/240V heating element
10920	540040		LUX41			Insulation boiler
10925	15550		LUX41			Safety thermostat



12_003ae

Spare parts

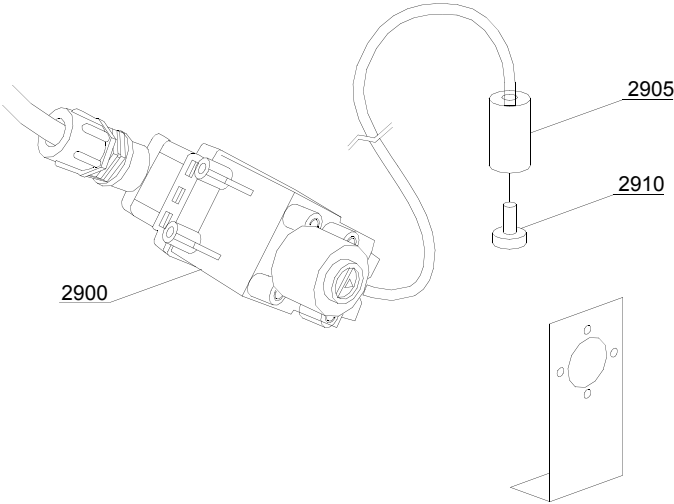
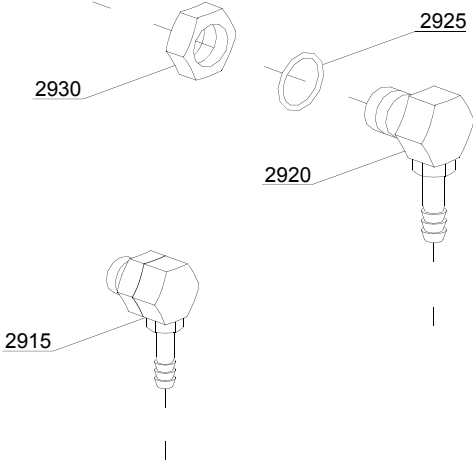
ID	P-code	Model	Type	Accessory	Voltage	Description
MODULE:3 ways connection						
30800	540090		LUX41	bt		Ø10 mm plastic 3 ways connection
30800	540091		LUX41			Ø12 mm plastic 3 ways connection
30805	11807		LUX41			12/22 clamp



Spare parts

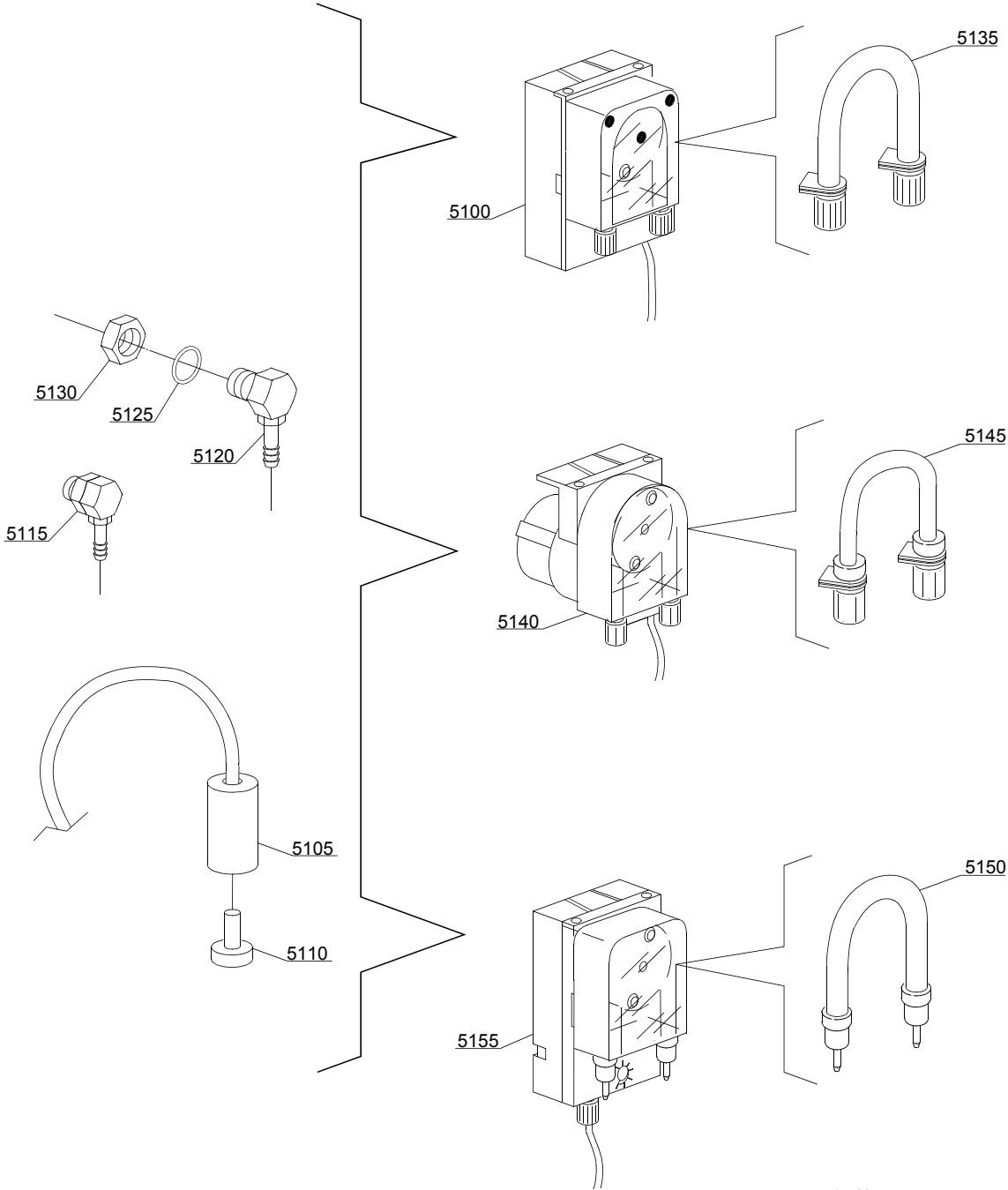
ID	P-code	Model	Type	Accessory	Voltage	Description
MODULE:Wash pump						
11100	18242		LUX41		A	0,30Hp wash pump
11105	18043		LUX41			10 uF condenser
11110	540005		LUX41			Suction pipe coupling
11115	16168		LUX41			Lower wash delivery pipe
11120	11806		LUX41			25/40 clamp
11125	11824		LUX41			50/70 clamp
11130	540004		LUX41			Top delivery pipe
11135	15080		LUX41			Rotating seals
11140	18245		LUX41			OR O-ring
11145	18246		LUX41			Pump rotor
11150	18247		LUX41			Scroll

14_002_e



Spare parts

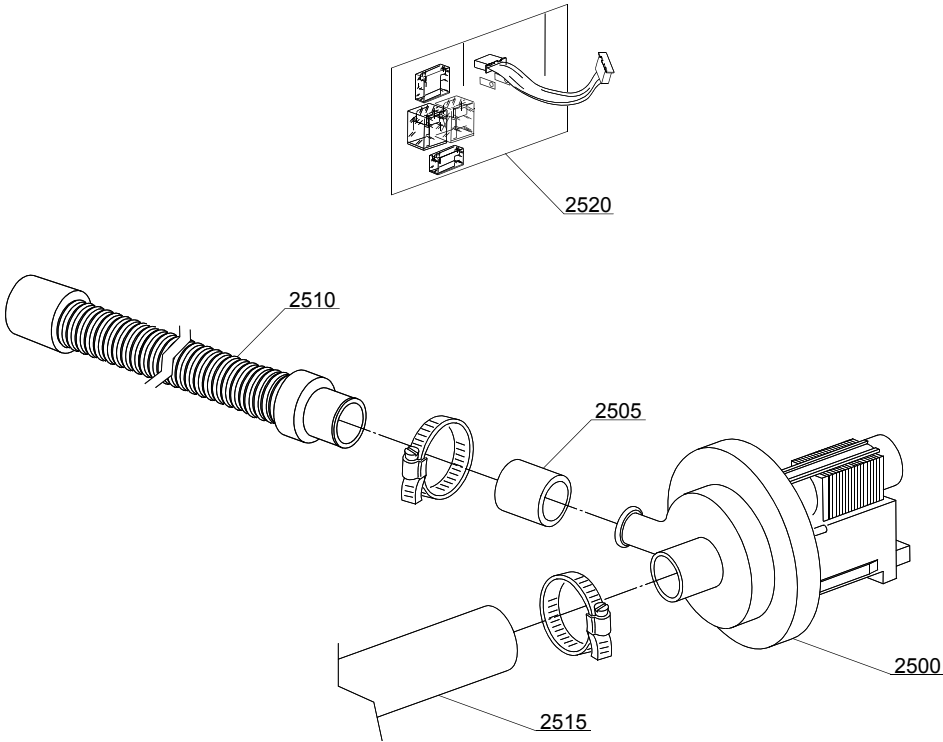
ID	P-code	Model	Type	Accessory	Voltage	Description
MODULE:Dosing detergent group						
2900	15108/L		LUX41	dd		Lang detergent pump
2905	12525		LUX41	dd		Counter-weight
2910	15058		LUX41	dd		Small filter
2915	15123		LUX41	dd		Compleat plastic injector
2920	15148		LUX41	dd		Steel injector
2925	15159		LUX41	dd		OR O-ring
2930	10200205		LUX41	dd		M12x1 stainless steel nut



14_004_e

Spare parts

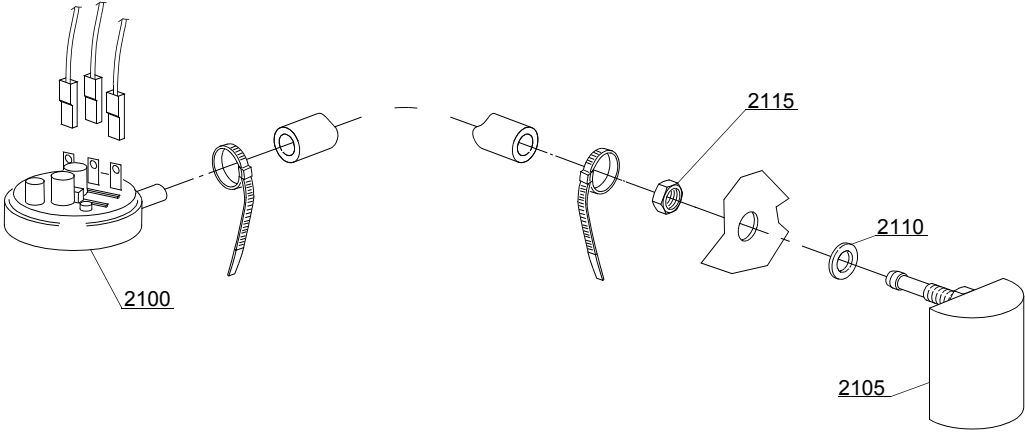
ID	P-code	Model	Type	Accessory	Voltage	Description
MODULE:Dosing detergent group						
5100	15985		LUX41	dd		Seko detergent pump
5105	12525		LUX41	dd		Counter-weight
5110	15058		LUX41	dd		Small filter
5115	15123		LUX41	dd		Complect plastic injector
5120	15148		LUX41	dd		Steel injector
5125	15159		LUX41	dd		OR O-ring
5130	10200205		LUX41	dd		M12x1 stainless steel nut
5135	15185		LUX41	dd		Ø 8 Seko thermoplastic pipe
5140	15985		LUX41	dd		Germac detergent pump
5145	15108/E		LUX41	dd		Ø 8 Germac thermoplastic pipe
5150	15985/A		LUX41	dd		Ø 10 PLAS CONT thermoplastic pipe
5155	15985		LUX41	dd		PLAS CONT detergent pump



15_004_e

Spare parts

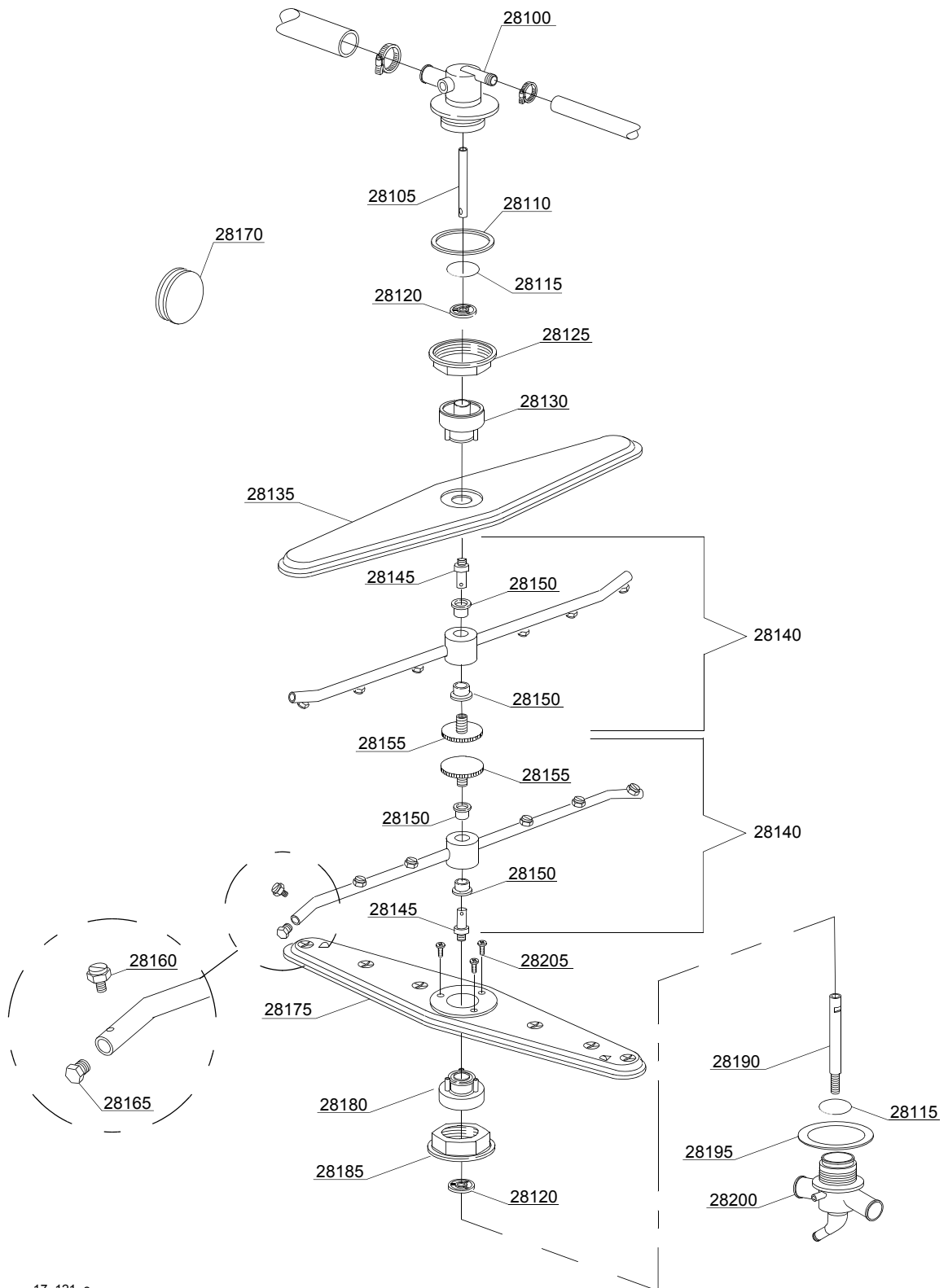
ID	P-code	Model	Type	Accessory	Voltage	Description
MODULE:Drain pump group						
2500	15101		LUX41	dp		Drain pump 220/240V 50Hz
2505	15101/D		LUX41	dp		Pipe fitting
2510	10727		LUX41	dp		Drain pipe
2515	18044		LUX41	dp		Ø28 top wash pipe
2520	50554		LUX41	dp		Electronic timer for Exp - Ps card



16_001_e

Spare parts

ID	P-code	Model	Type	Accessory	Voltage	Description
MODULE:Pressure switch group with air trap						
2100	10706/A		LUX41			47-27 pressure switch
2105	135911/B		LUX41			Air trap assembly
2110	13301		LUX41			O-ring
2115	11702		LUX41			M8 stainless steel nut



17_121_e

Spare parts

ID	P-code	Model	Type	Accessory	Voltage	Description
MODULE:Turret group with rotating arms						
28100	540075		LUX41			Top turret
28105	540081		LUX41			Top axle extension
28110	540032		LUX41			Plain O-ring
28115	540079		LUX41			Spacer ring for hub
28120	540076		LUX41			Guide pipe
28125	540093		LUX41			Nut for top turret fixing
28130	540078		LUX41			Top hub for rotor
28135	540085		LUX41			Top wash rotor
28140	540083		LUX41			Rinse group
28145	75323		LUX41			Rinse axle
28150	13330		LUX41			Sliding washer
28155	11101/B		LUX41			Stainless steel group fixing screw
28160	560018		LUX41			Stainless steel rinse nozzle
28165	560017		LUX41			Rinse arm plug
28170	13316/A		LUX41			DVGW hole O-ring
28175	540084		LUX41			Lower wash rotor
28180	540077		LUX41			Lower hub for rotor
28185	540069		LUX41			Nut for lower turret fixing
28190	540082		LUX41			Lower axle extension
28195	540034		LUX41			Plain O-ring
28200	540074		LUX41			Lower turret
28205	11006		LUX41			2,9x13 TS Stainless steel screw