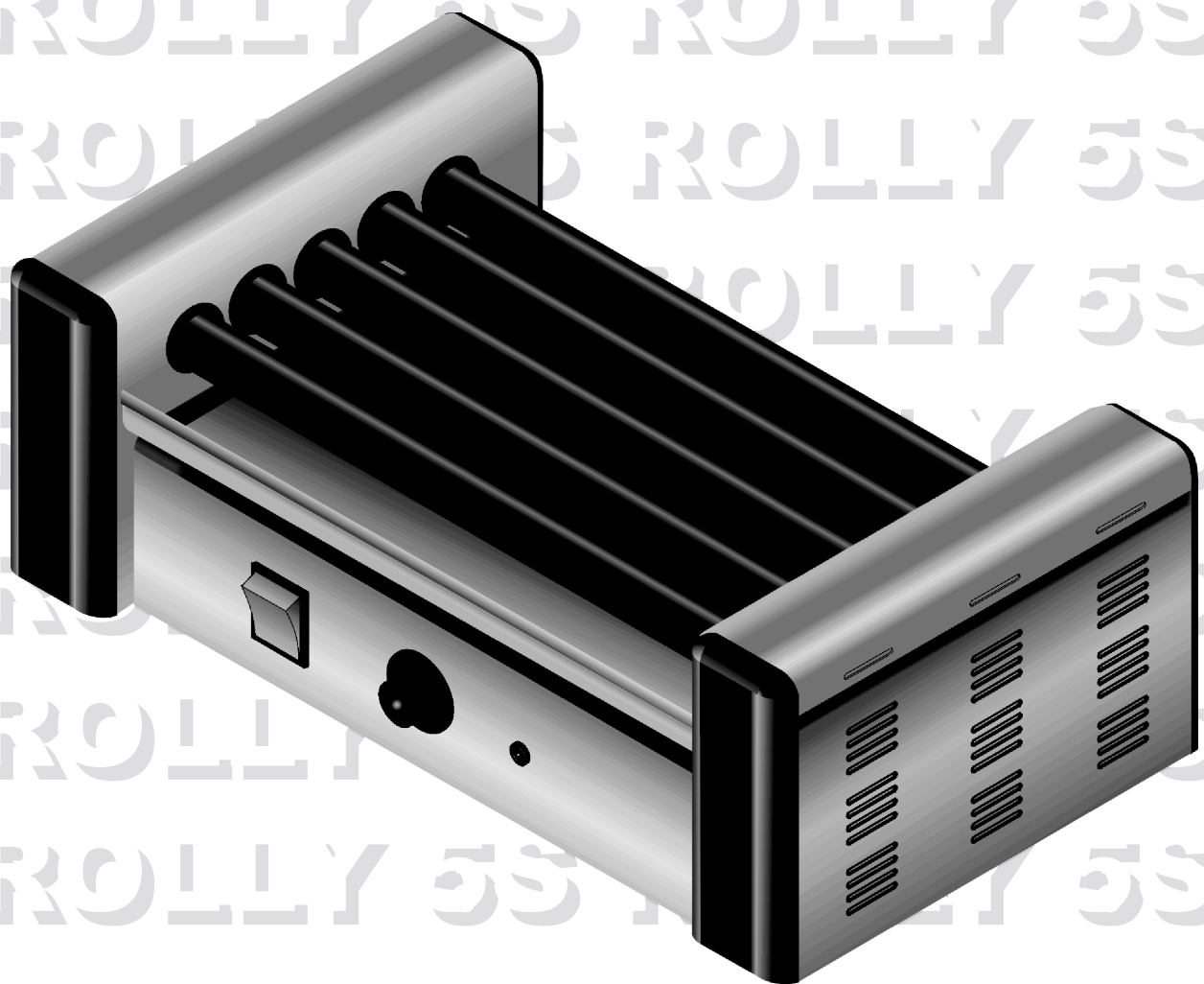
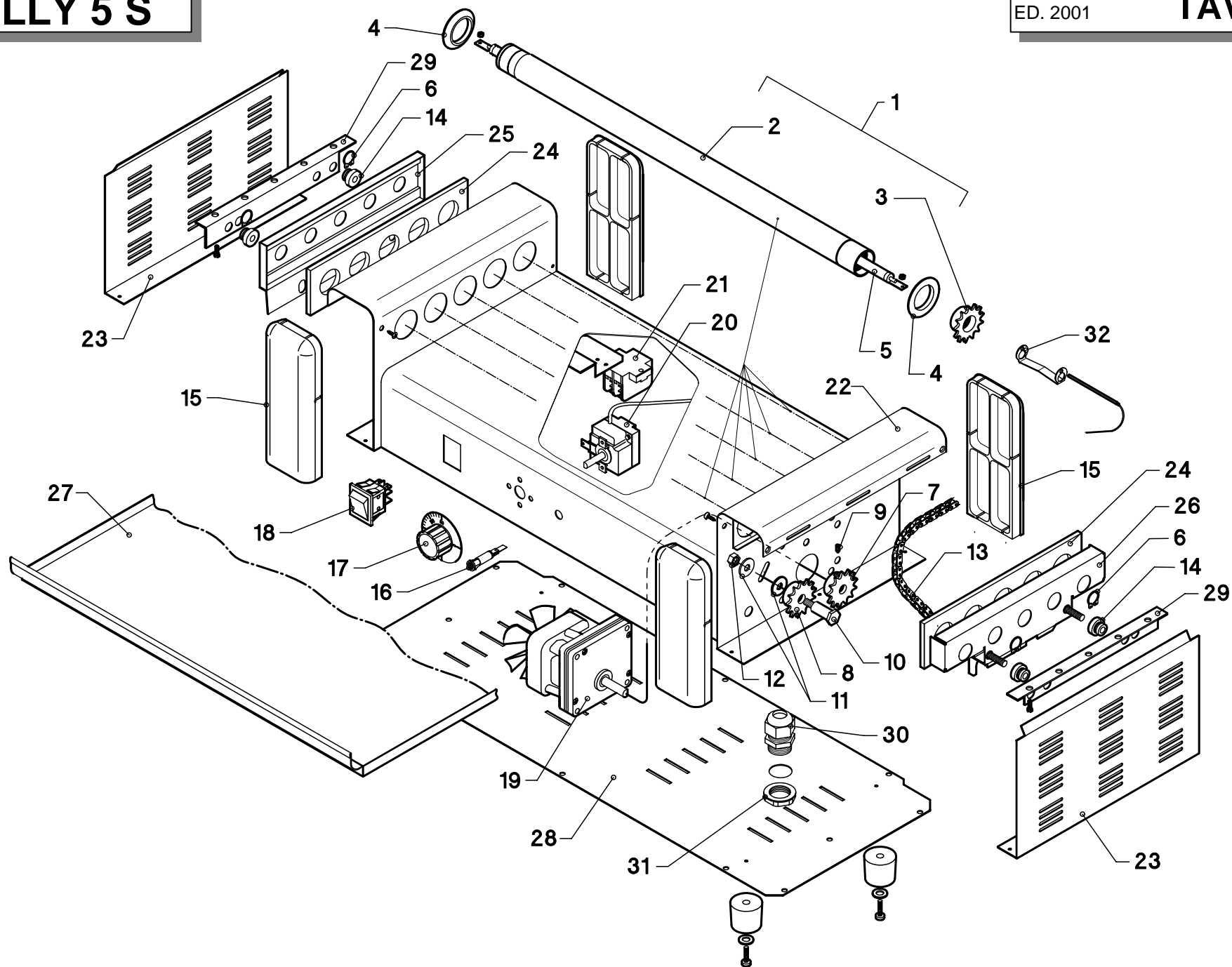


ROLLY 5S



MANUALE DI RICAMBI
SPARE PARTS
CATALOGUES PIÉCES
ERSATZTEILEKATALOG
CATÁLOGO DE REPUESTOS



Pos.	COD.	COD.	Q.tà	DESCRIZIONE	DENOMINATION	DESCRIPTION	BEZEICHNUNG	DESCRIPCIÓN
1	907444		5	ASSIEME TUBO TEFLONATO	TUBE TEFLON COMPLET	COMPLETE TEFLON TUBE	KOMPLETTE TEFLON RÖHRE	TUBO TEFLON COMPLETO
1	907443		5	ASSIEME TUBO INOX	TUBE INOX COMPLET	COMPLETE INOX TUBE	KOMPLETTE INOX RÖHRE	TUBO INOX COMPLETO
2	955075		1	TUBO TEFLONATO	TUBE TEFLON	TEFLON TUBE	TEFLON ROHR	TUBO TEFLON
2	955072		1	TUBO INOX	TUBE INOX	INOX TUBE	INOX ROHR	TUBO INOX
3	905022		1	PIGNONE PER TUBO	PIGNON POUR TUYAU	TUBE SPROCKET	ROHR RITZEL	PIÑÓN PARA EL TUBO
4	907661		10	RONDELLA DI PROTEZIONE	RONDELLE DE PROTECION	PROTECTION WASHER	SCHUTZ UNTERELEGSCHIEBE	ARANDELA DE PROTECCIÓN
5	905712		5	RESISTENZA	RESISTANCE	HEATING ELEMENT	HEIZKÖRPER	RESISTENCIA
6	906120		4	SEEGER	SEEGER	SEEGER	SEEGERSICHERUNG	SEEGER
7	905021		1	PIGNONE MOTORE	PIGNON POUR MOTEUR	SPROCKET FOR MOTOR	RITZEL MOTOR	PIÑÓN PARA EL MOTOR
8	905020		1	PIGNONE TENDICATENA	PIGNON TENDEUR CHAÎNE	STRETCHER SPROCKET	KETTEN PANNER RITZEL	PIÑÓN TENSACADENA
9	903168		1	GRANO	VIS SANS TÊTE	GRUB SCREW	STELLSCHRAUBE	ESPIGA
10	904776		1	PERNO TENDICATENA	TOURILLON TENDEUR CHAÎNE	STRETCHER PIN	KETTEN SPANNER STIFT	PERNO TENSACADENA
11	906035		2	RONDELLA	RONDELLE	WASHER	UNTERLEGSCHIEBE	ARANDELA
12	902010		1	DADO	ECROU	NUT	MUTTER	TUERCA
13	901119		1	CATENA	CHAÎNE	CHAIN	KETTE	CADENA
14	904755		4	PASSANTE IN STEATITE	ISOLANT EN STEATITE	STEATITE INSULATING	KERAMISCHER ISOLIERSTOPP	PASANTE ESTEATITA
15	901107		4	TESTATE	TÊTES	HEADS	KOPF	CABEZALES
16	903629		1	SPIA TERMOSTATO	LAMPE THERMOSTAT	THERMOSTAT LAMP	KONTROLLAMPE THERMOSTAT	LUZ TERMÓSTATO
17	903980		1	MANOPOLA	BOUTON	KNOB	KNOPF	EMPUÑADURA
18	903610		1	INTERRUTTORE DI LINEA	INTERRUPTEUR CIRCUIT	LINE SWITCH	DRUCKKNOPF LINIE	INTERRUPTOR DE LA LÍNEA
19	904189		1	MOTORINO MERKLE-KORFF	MOTEUR MERKLE-KORFF	MERKLE-KORFF MOTOR	MERKLE-KORFF MOTOR	MOTOR MERKLE-KORFF
19	904191		1	MOTORINO HEIDOLPH	MOTEUR HEIDOLPH	HEIDOLPH MOTOR	HEIDOLPH MOTOR	MOTOR HEIDOLPH
20	907132		1	TERMOSTATO	THERMOSTAT	THERMOSTAT	THERMOSTAT	TERMÓSTATO
21	904212		1	MORSETTIERA NYLON	BORNES	TERMINAL BOARD	KLEMMLEISTE	CAJA DE BORNES
22	901184		1	STRUTTURA BASE	STRUCTURE BASE	STRUCTURE BASE	PRIMÄRGEFÜGE	ESTRUCTURA BASE
23	904003		2	COPERTURA SPALLE	CARTER LATERAL	SIDE CASING	SEITLICH KASTEN	CUBIERTA LATERAL
24	901146		2	SUPPORTO TEFLON	SUPPORT TEFLON	TEFLON SUPPORT	TEFLON SUPPORT	SOPORTE TEFLÓ
25	900338		1	PORTARESISTENZE SX	SUPPORT RESISTANCE SX	HEATING ELEMENT SUPPORT SX	HEIZKORPER SUPPORT SX	SOPORTE RESISTENCIA SX
26	900341		1	PORTARESISTENZE DX	SUPPORT RESISTANCE DX	HEATING ELEMENT SUPPORT DX	HEIZKORPER SUPPORT DX	SOPORTE RESISTENCIA DX
27	901124		1	CASSETTO	TIROIR	DRAWER	SCHUBLADE	CAJÓN
28	902799		1	FONDO BASE	FOND	BOTTOM COVER	UNTERSEITE	FONDO BASE
29	900337		2	BLOCCARESISTENZA	BLOCAGE RESISTANSE	HEATING ELEMENT BLOCK	SPANNEISEN	BLOQUES DE LA RESISTENCIA
30	902688		1	PRESSACAVO PG13.5	FIXAGE DU CABLE D'ALIMENT.	FIXING CABLE	KABELBEFESTIGER	PRESACAVO
31	902685		1	GHIERA PRESSACAVO PG13.5	VIROLE	LOCK-NUT	NUT-MUTTER	ABRAZADERA PRESACAVO
32	956542		1	PIASTRINA SUPPORTO BULBO	SUPPORT BULBE	SUPPORT BULB	ZWEIBEL SUPPORT	SOPORTE BULBO
33	904960		4	PIEDINO	PIED SUPPORT	FEET	SOCKEL	PIÉ