

TABLE
KI2510

REV
02

K 3000

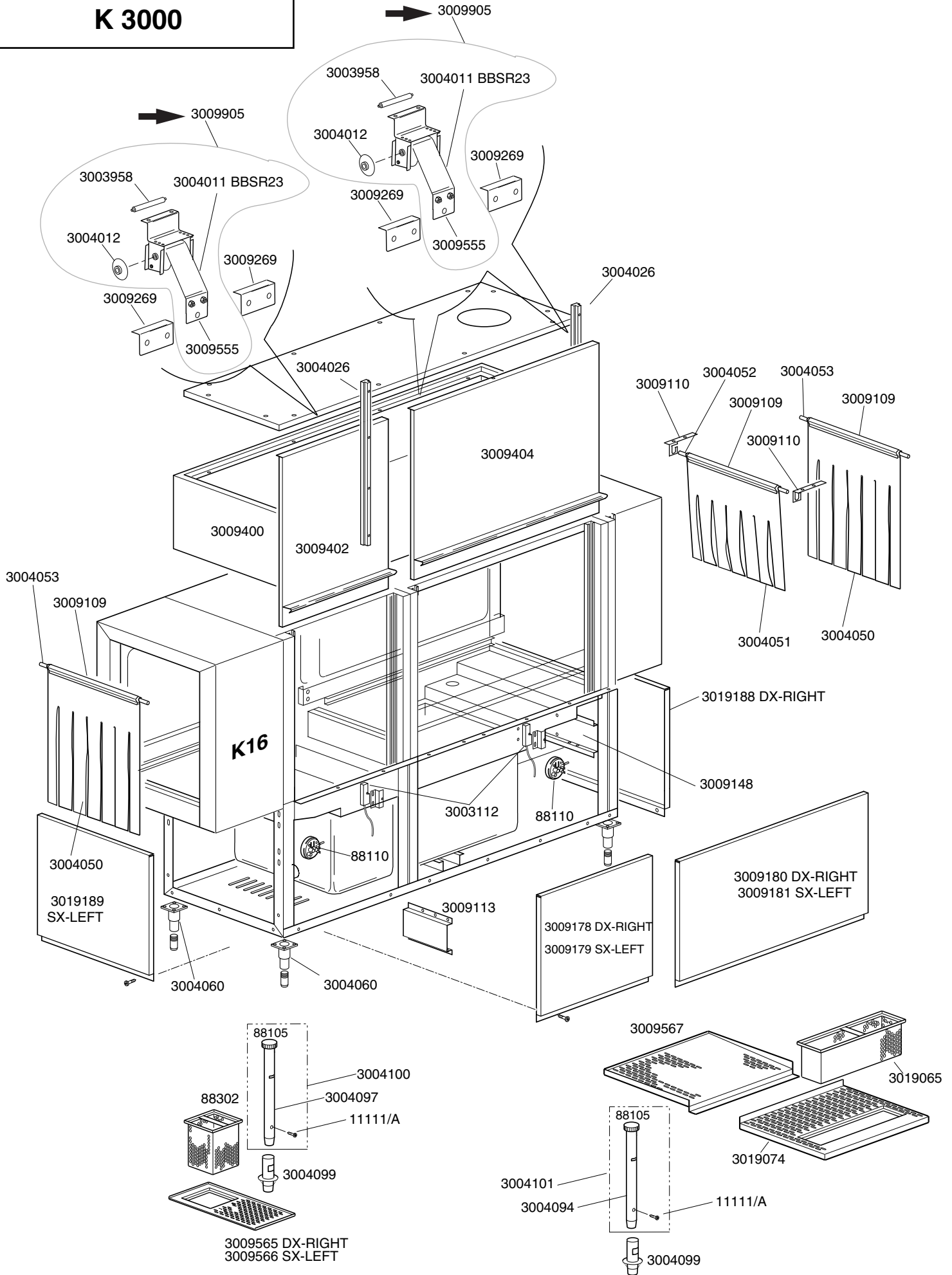


TABLE
KI2520

REV
05

K 3000

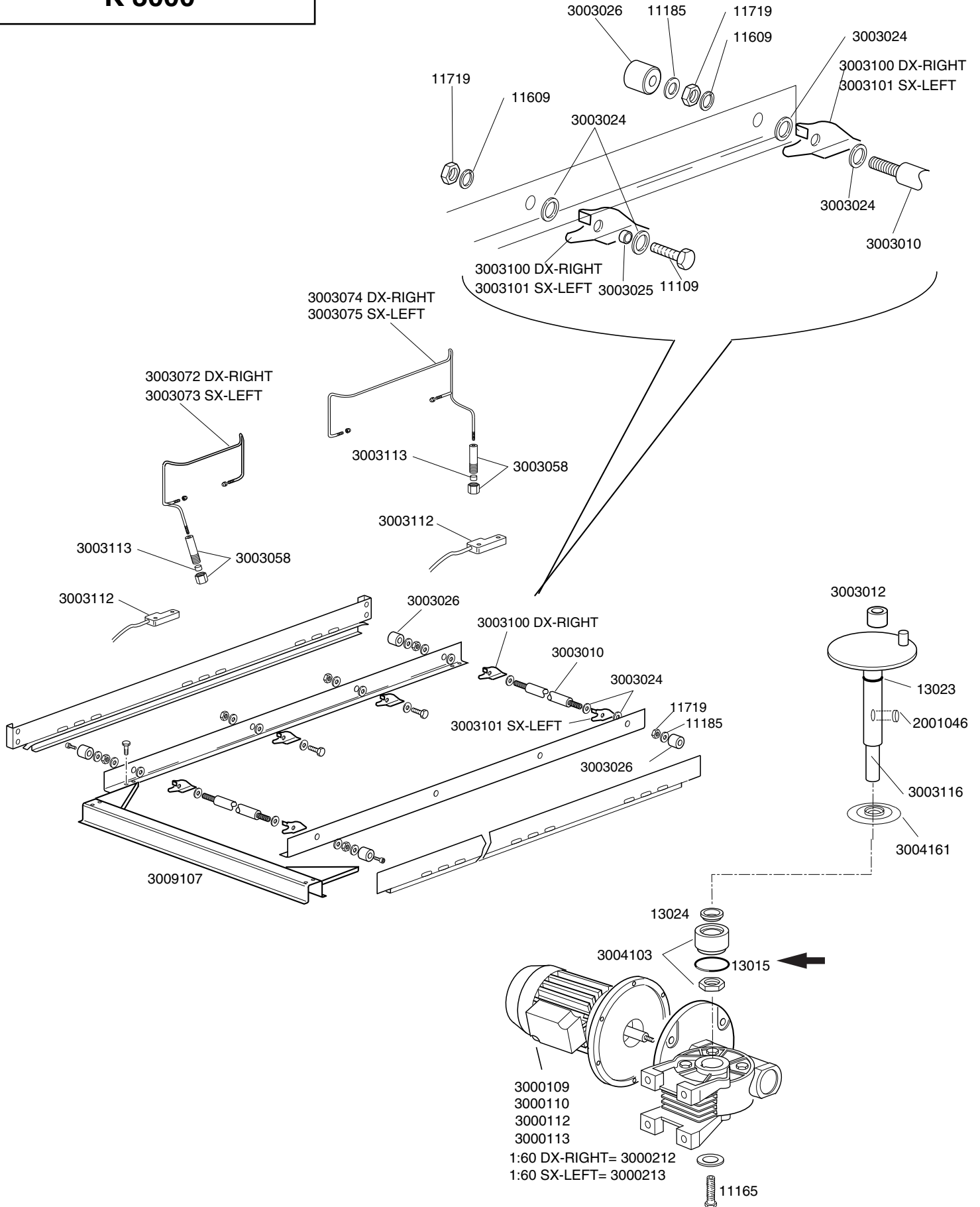


TABLE
KI2530

REV
05

K 3000

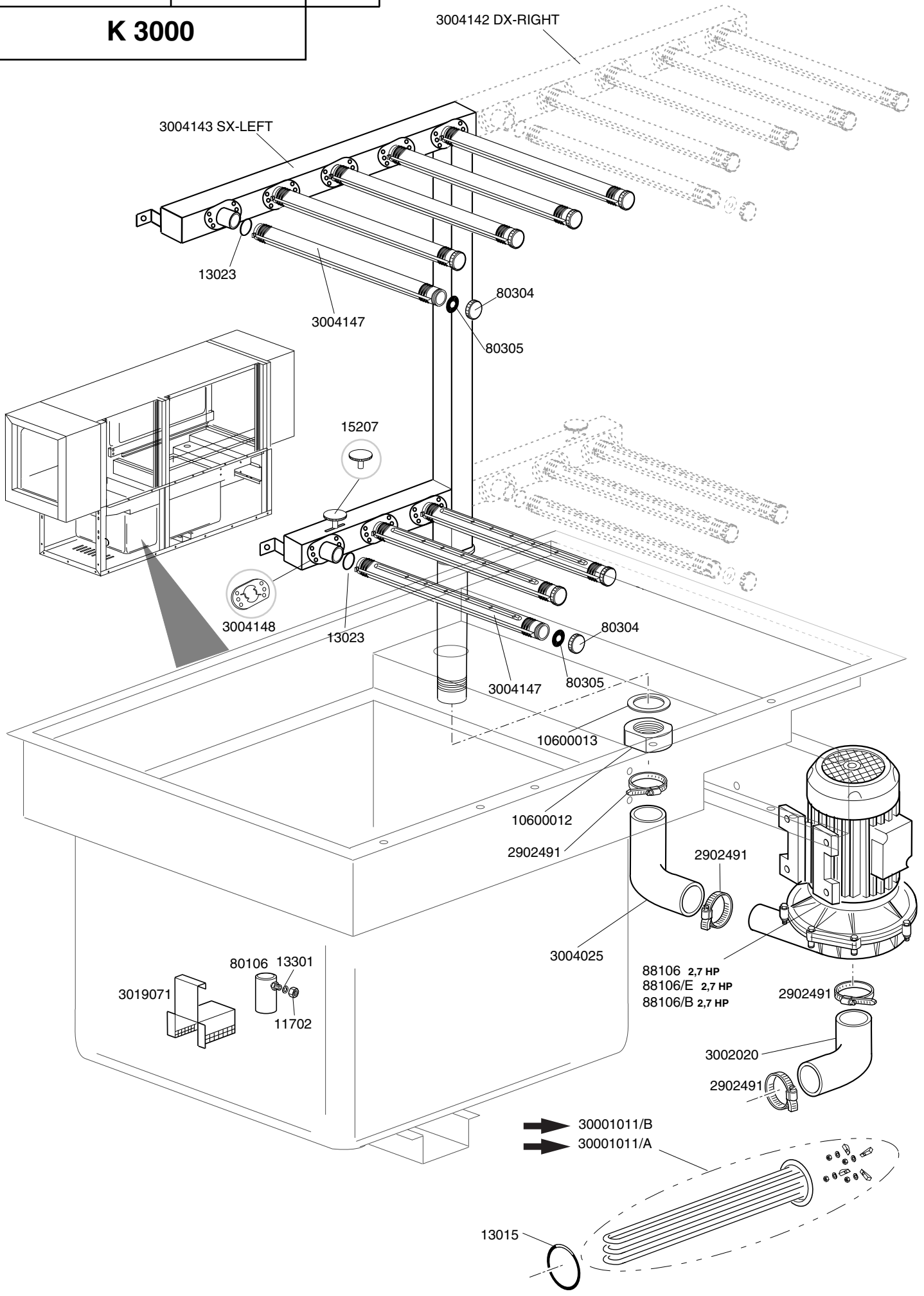


TABLE
KI2531

REV
03

K 3000

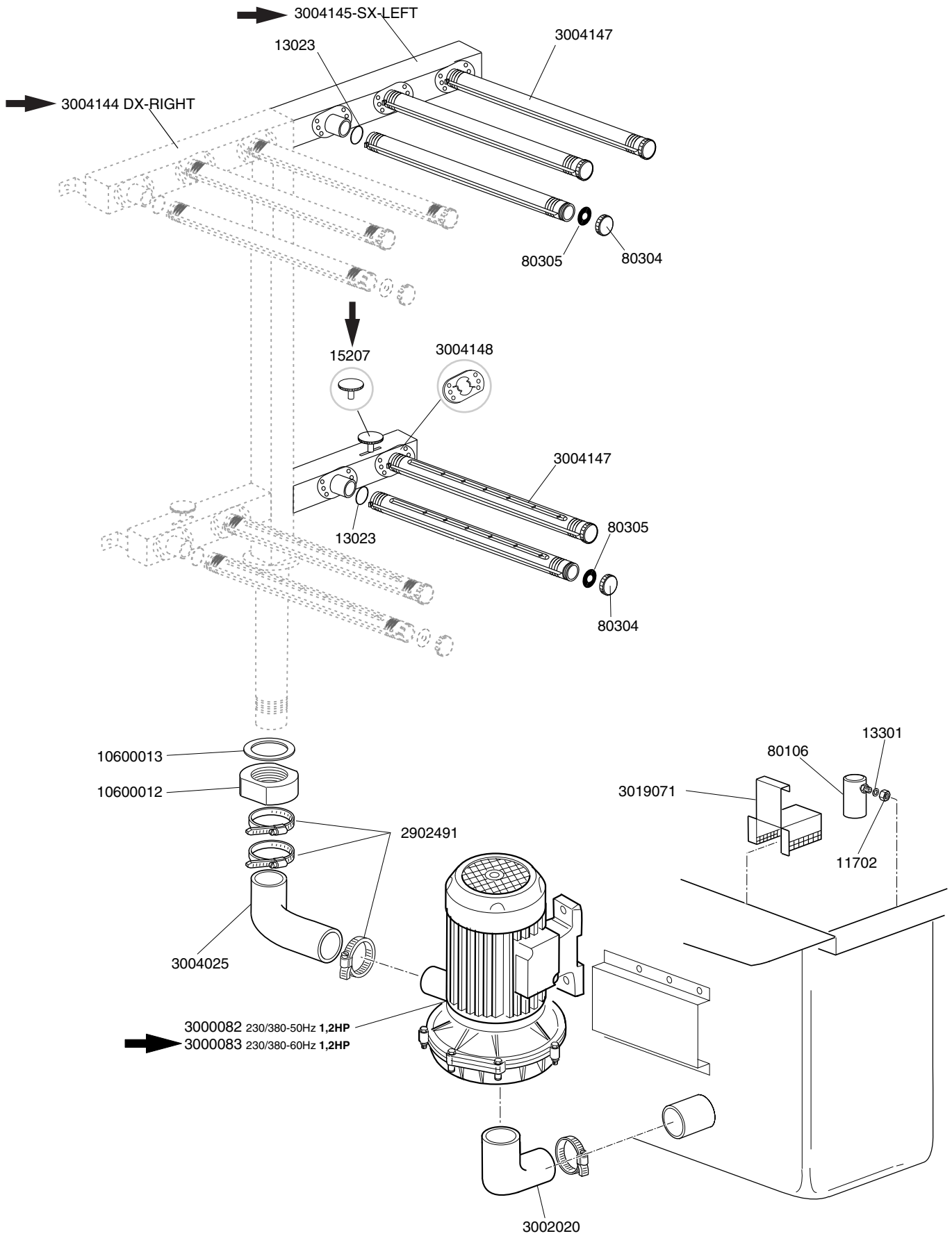


TABLE	REV
KI2540	03

K 3000

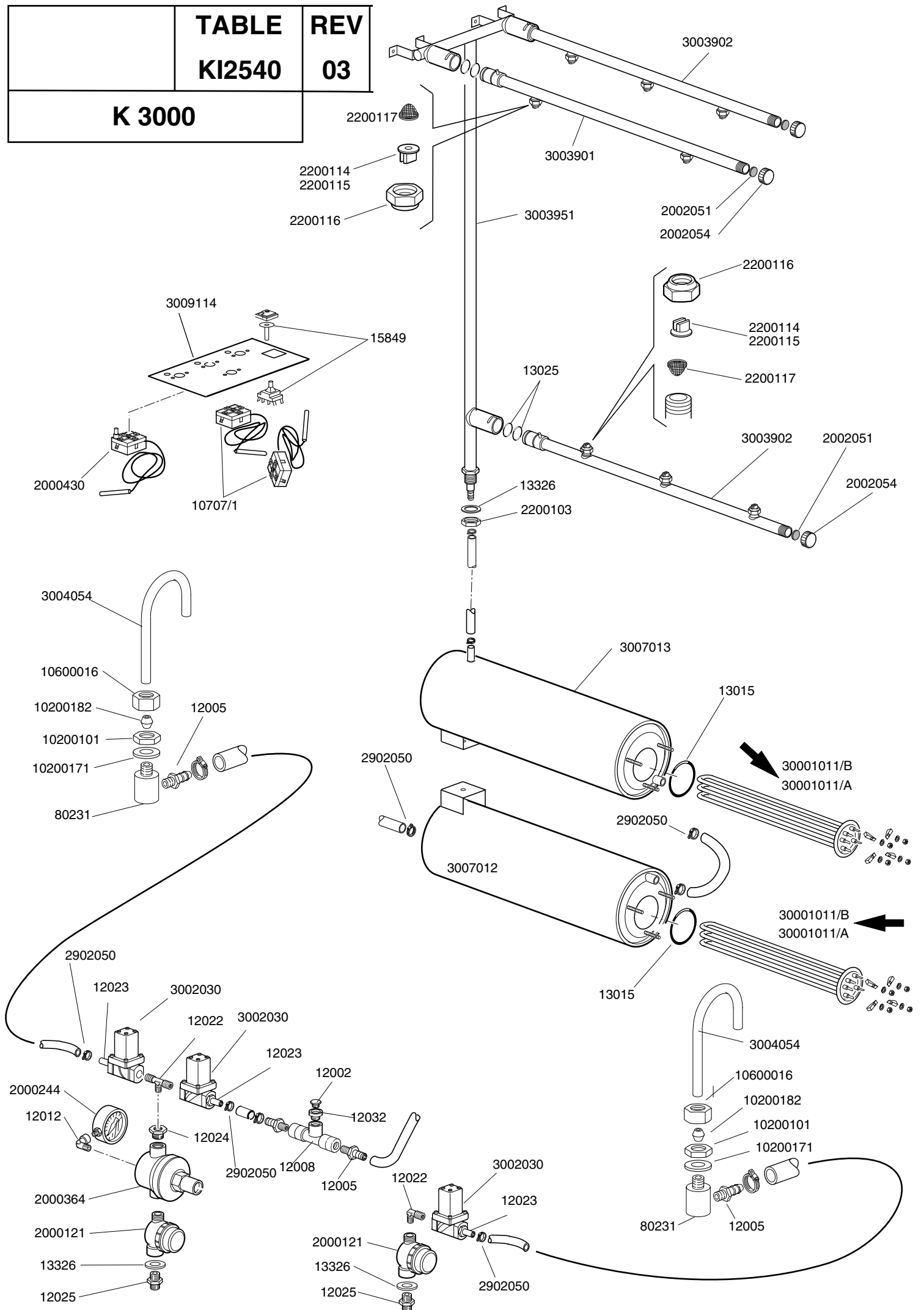
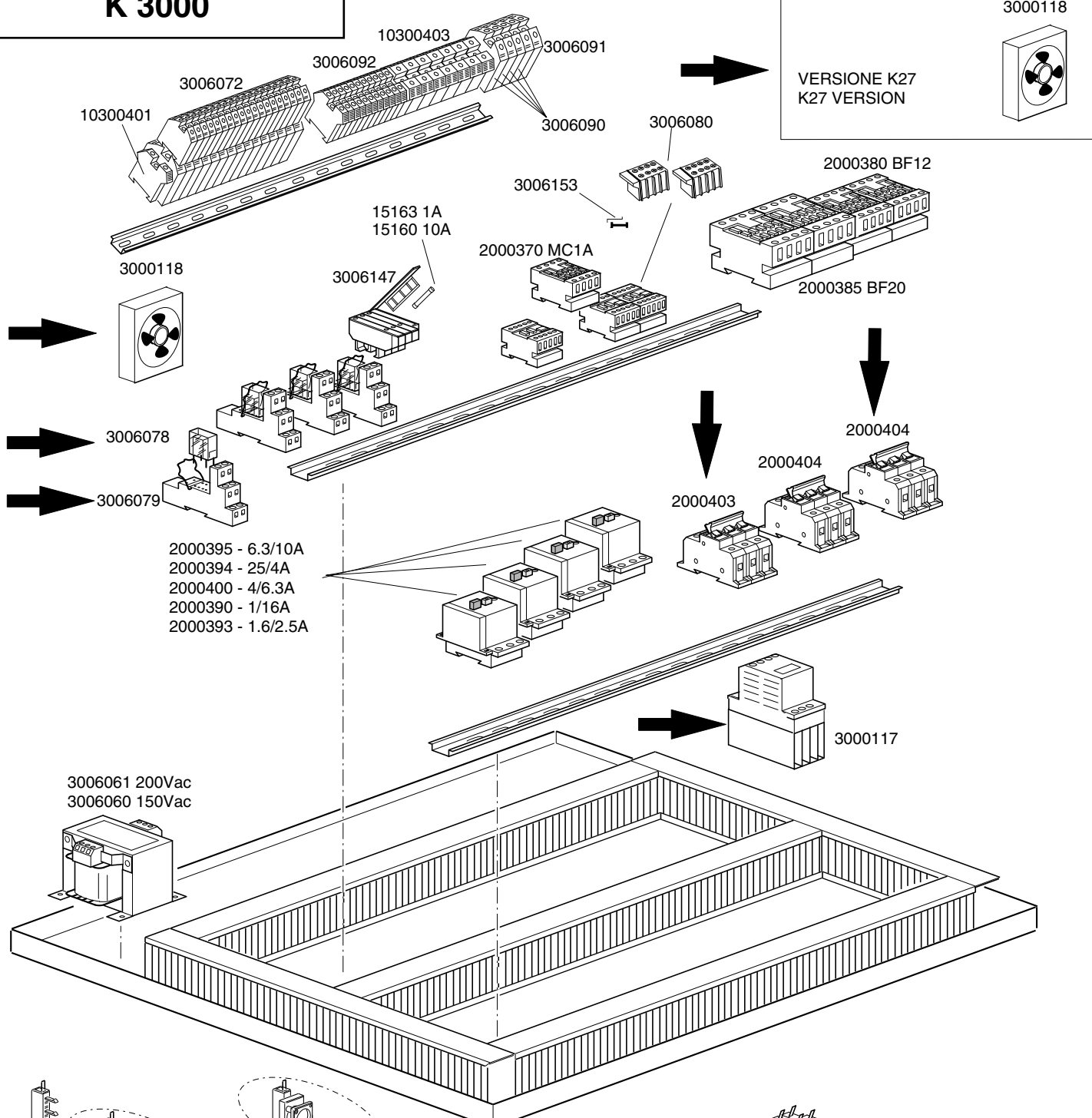
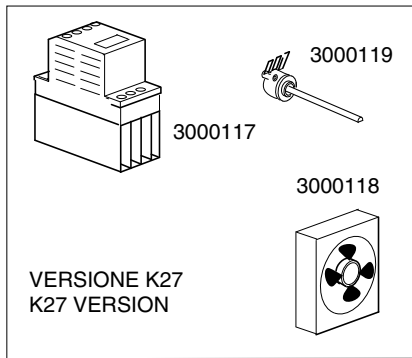


TABLE	REV
KI2550	02

K 3000



- 2000395 - 6.3/10A
- 2000394 - 25/4A
- 2000400 - 4/6.3A
- 2000390 - 1/16A
- 2000393 - 1.6/2.5A

