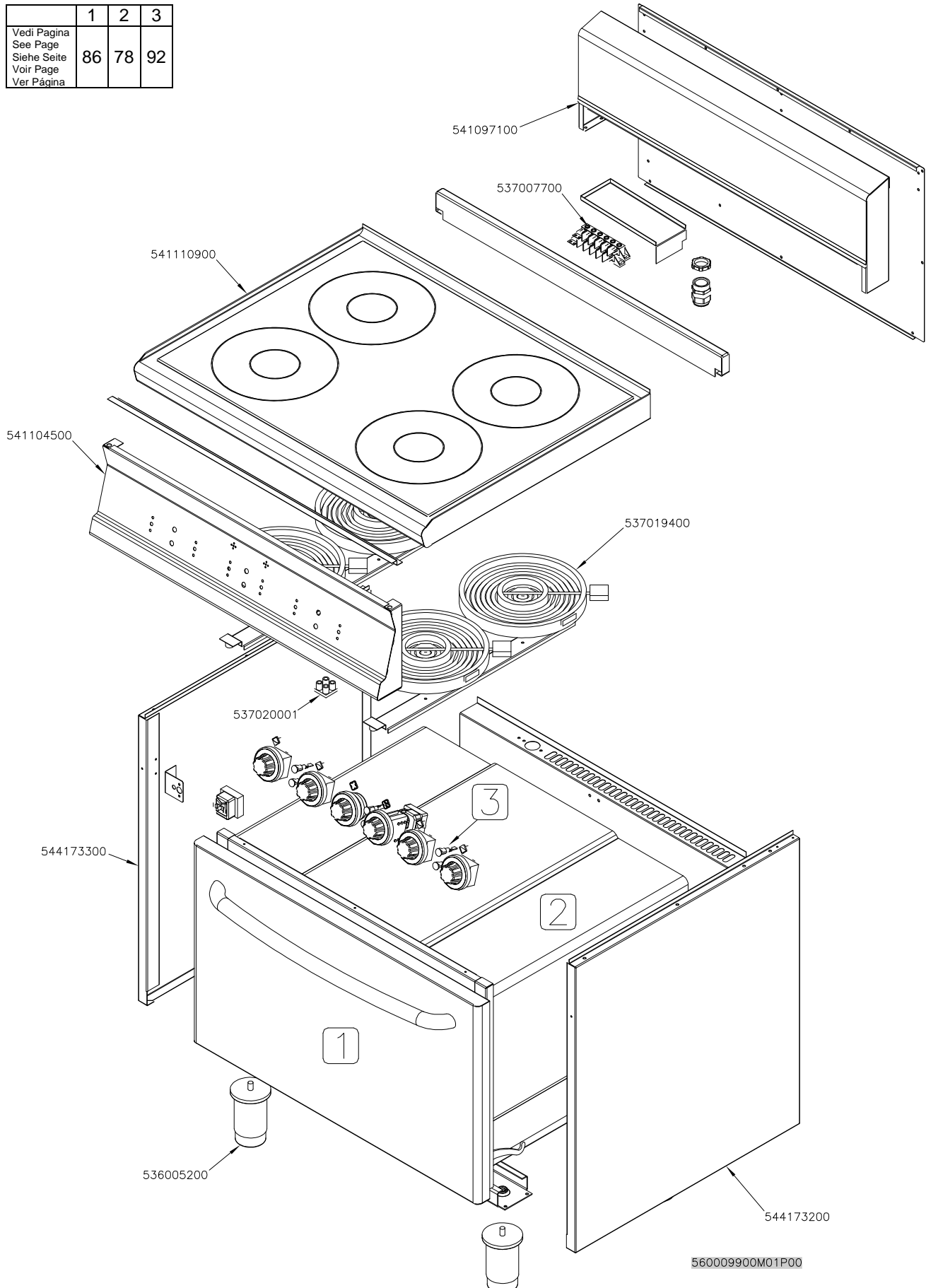


**SUPERLOTUS 70<sub>2</sub>0601**  
**CUCINE / RANGES / HERDE / CUISINIÈRES**  
 CF...4-78...

**CFC4-78ET**

	1	2	3
Vedi Pagina See Page Siehe Seite Voir Page Ver Pàgina	86	78	92

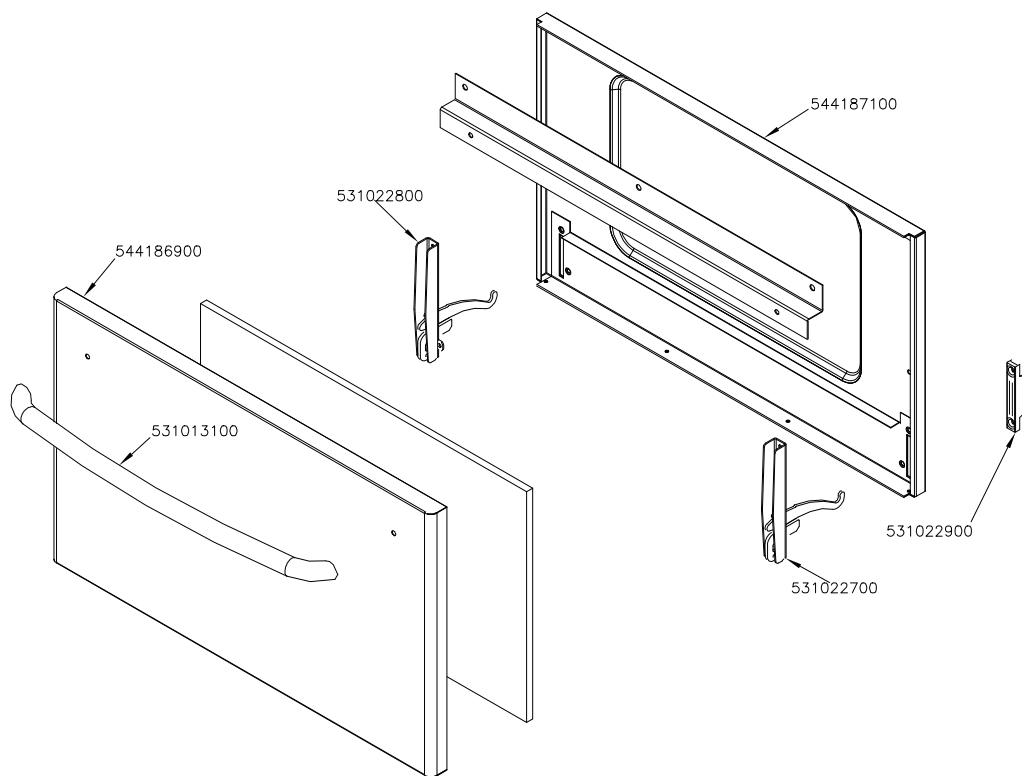


# SUPERLOTUS 70≤0601

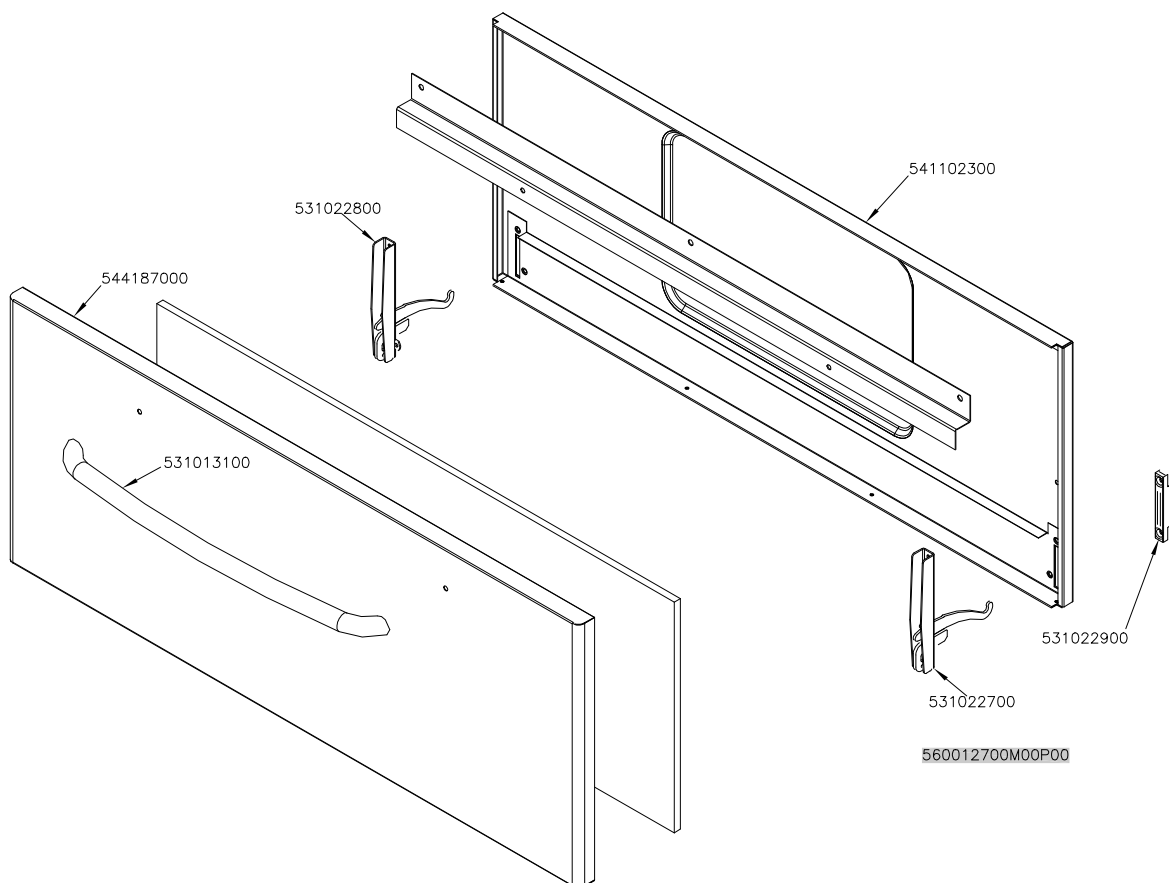
CUCINE / RANGES / HERDE / CUISINIÈRES  
FORNO / OVEN / BACKOFEN / FOUR

## PORTE / DOORS / TÜREN / PORTES

GN 2/1



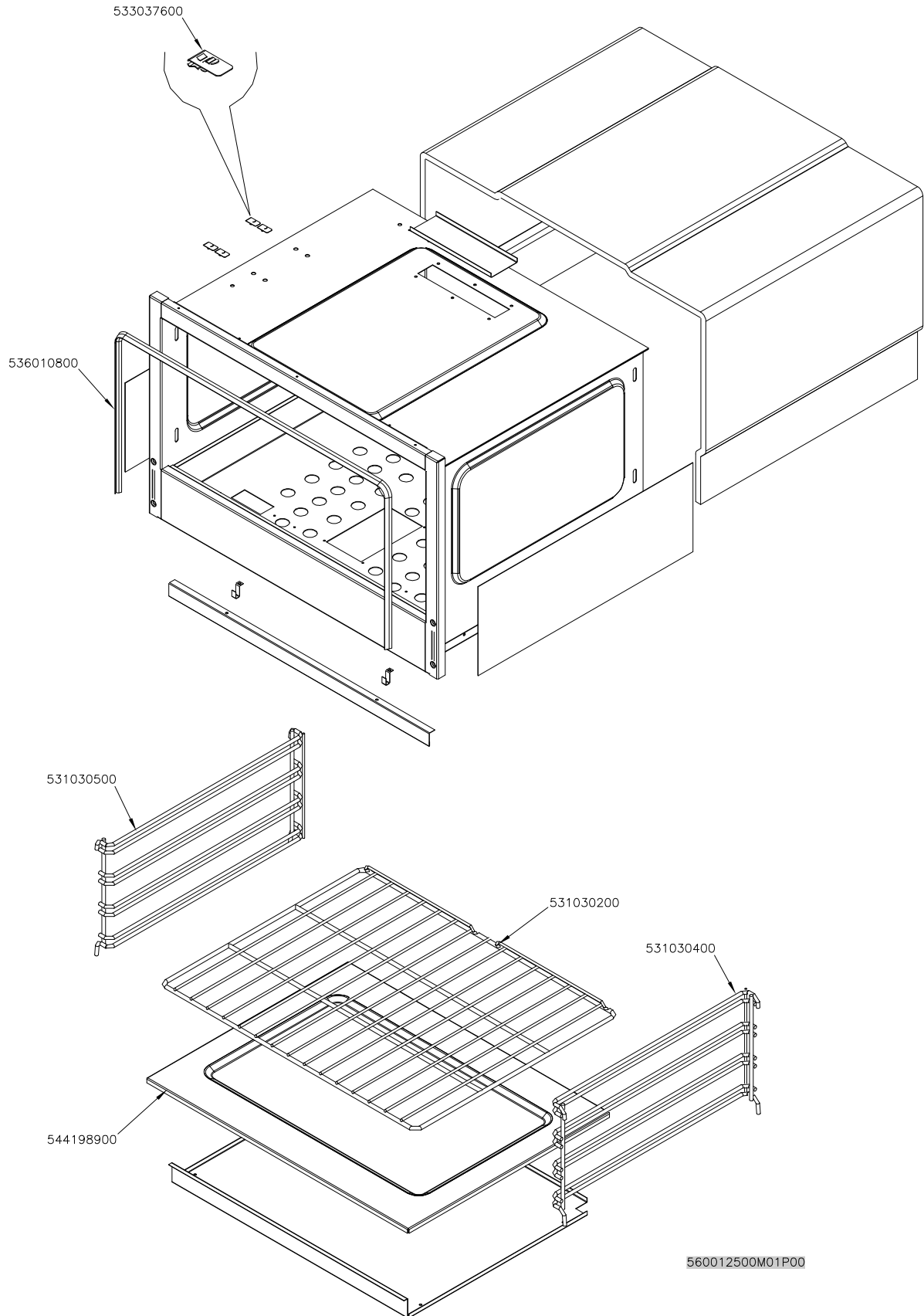
GN 3/1



# SUPERLOTUS 70<sub>2</sub>0601

CUCINE / RANGES / HERDE / CUISINIÈRES  
FORNO / OVEN / BACKOFEN / FOUR

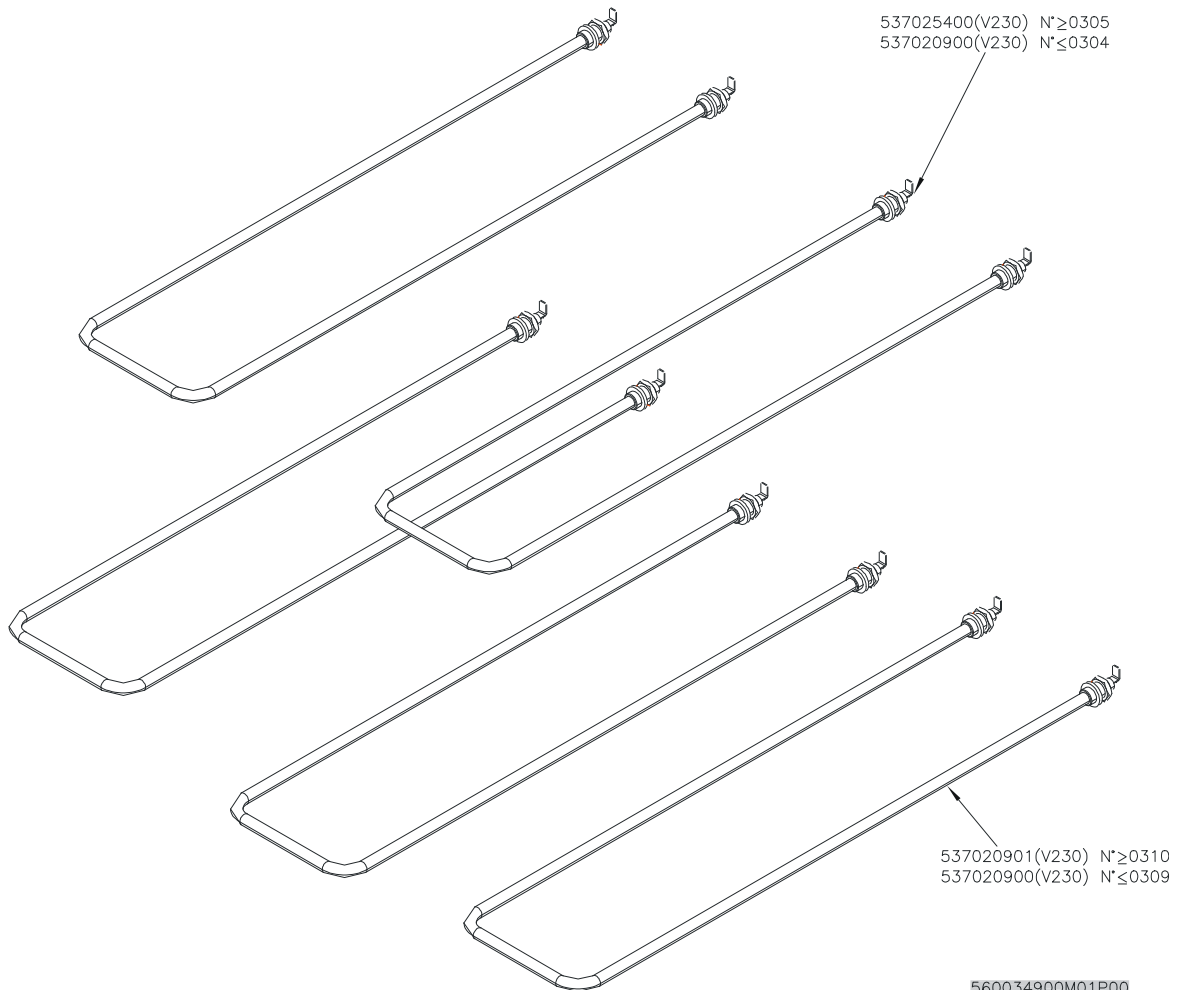
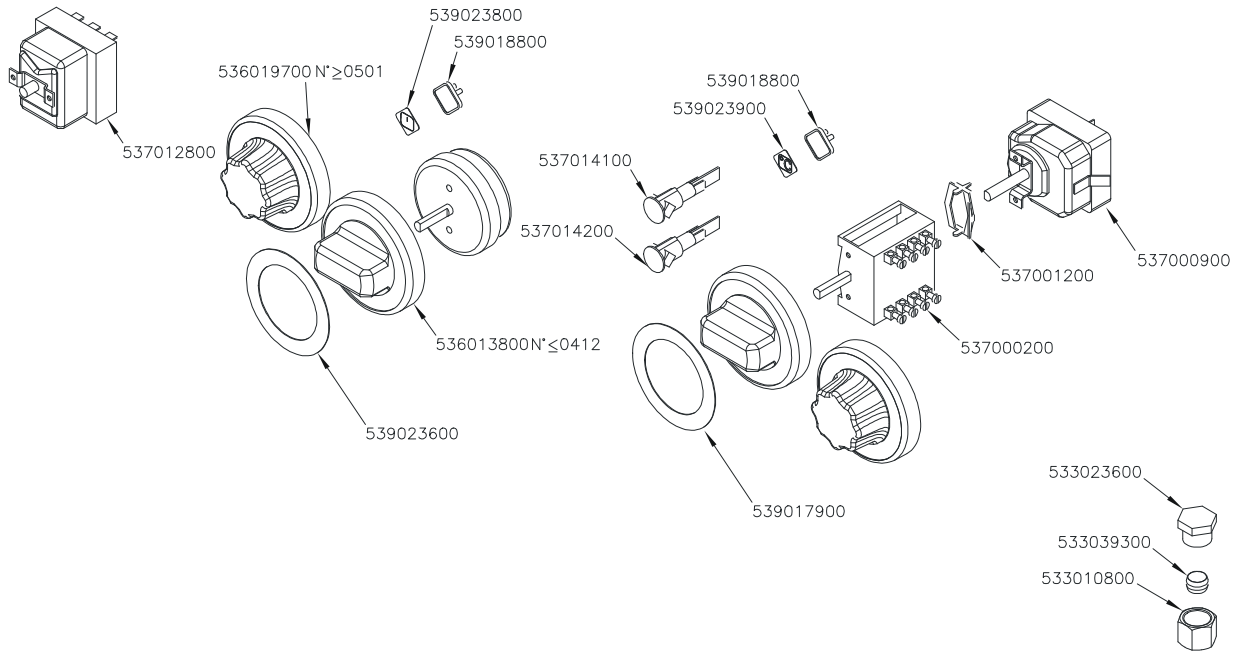
ELETRICO / ELECTRICAL / ELEKTRO / ELECTRIQUE / GN 2/1



# SUPERLOTUS 70≤0601

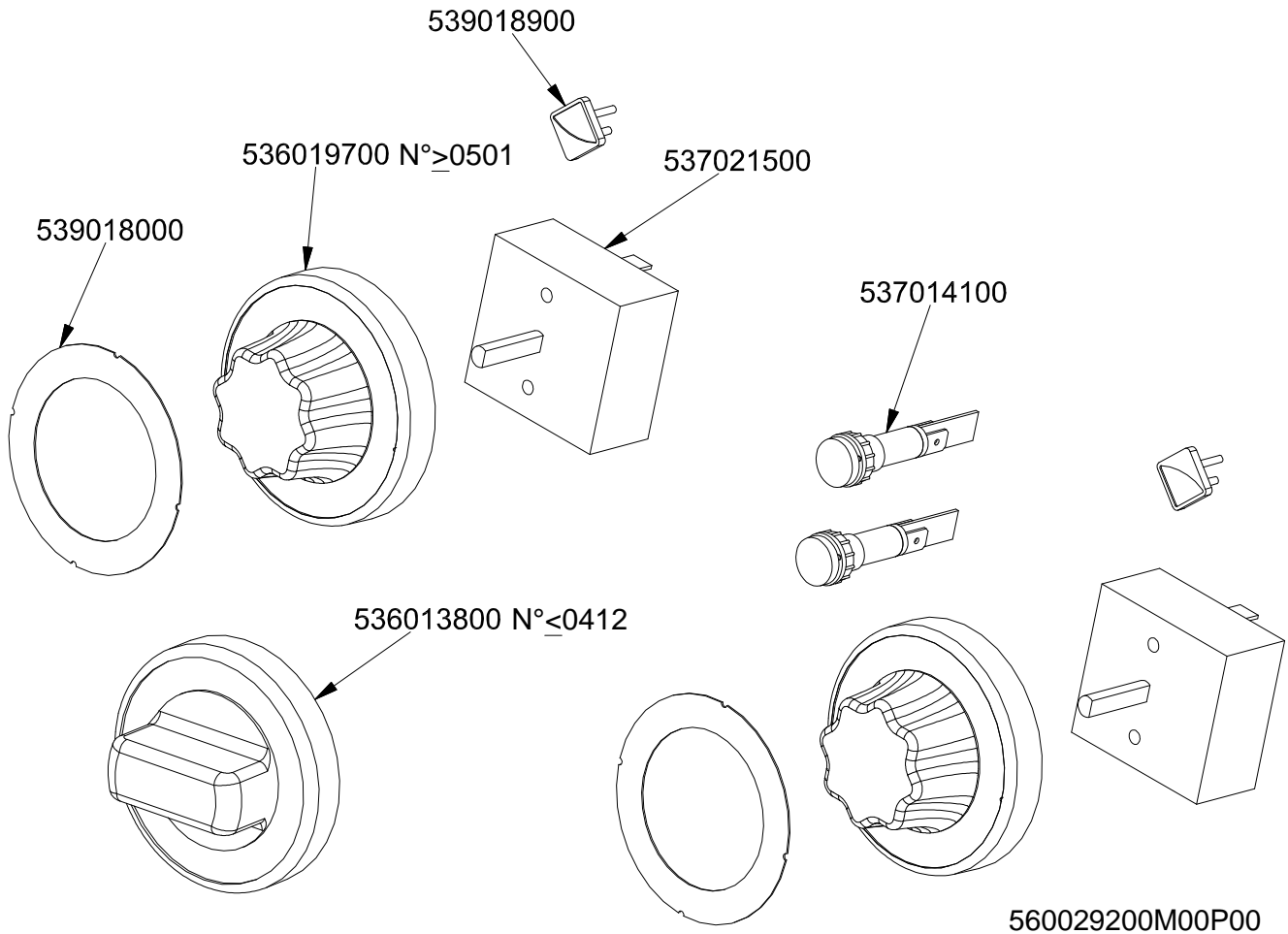
CUCINE / RANGES / HERDE / CUISINIÈRES  
FORNO / OVEN / BACKOFEN / FOUR

ELETTRICO / ELECTRICAL / ELEKTRO / ELECTRIQUE / GN 2/1



560034900M01P00

**PCC-E CFC-E**



Page	Pos	Code	Description
001		541097100	NEUTRAL SPACER 78
001		537007700	TERMINAL BLOCK THREEPHASE 40A
001		541110900	GLAS UPPER PLATE PCC-78E
001		541104500	CONTROL PANEL CF4-78E
001		537019400	EL. PLATE PCC D250 1000+1400W 230V
001		537020001	REMAINING HEAT 4 PILOT LIGHTS UNIT
001		544173300	LEFT SIDE PANEL RANGE S.70
001		536005200	INOX LEG 2" 120-180 M10
001		544173200	RIGHT SIDE PANEL RANGE S.70
002		544187100	OVEN INNER DOOR GN 2/1 S.70
002		531022800	LEFT OVEN DOOR HINGE S.70
002		531022900	HINGE DOOR WHEEL HOLDER S.70
002		531022700	RIGHT OVEN DOOR HINGE 70LINE
002		544186900	OVEN DOOR GN 2/1 S.70
002		531013100	OVEN DOOR HANDLE OF 70/90-LINE
002		541102300	GAS OVEN INNER DOOR GN 3/1 S.70
002		544187000	OVEN DOOR GN 3/1 S.70
003		533037600	LOCK SPRING FOR BULB
003		536010800	OVEN GASKET GN 2/1 (1261)
003		531030500	LHD SUPPORT GRID FOR OVEN OF 70LINE
003		531030200	OVEN GRID GN 2/1 FOR 70 LINE
003		531030400	RHD SUPPORT GRID FOR OVEN OF 70LINE
003		544198900	70 ELECTRICAL OVEN BOTTOM GN2/1
004		537012800	SAFETY THERMOSTAT 420°C THREEPHASE
004		536019700	BLACK KNOB §70 PIN §6*5
004		539023800	SIGN PLATE FOR OVEN TIMER
004		539018800	INDEX FOR OVEN KNOB
004		539023900	SIGN PLATE FOR OVEN TEMPERATURE
004		537014100	WHITE WARNING LIGHT 250V
004		537014200	GREEN WARNING LIGHT 250V
004		536013800	KNOB D.70 BLACK 6*5 WITH SPRING
004		539023600	ADHESIVE GRADUATED DISC FOR KNOB
004		537000900	THERMOSTAT 50-320°C THREEPHASE
004		537001200	FIXING BRACKET FOR THERMOSTAT/COMM.
004		537000200	COMMUTATOR 1 POS. 3PHASE S.49 16A
004		539017900	ADHESIVE GRADUATED DISC FOR KNOB
004		533023600	TAP PLUG §10 M16*1, 5CH19
004		533039300	BICONE §10
004		533010800	TUBE NUT D.10 M16*1,5
004		537025400	OVEN UPPER HEAT.EL.W700 V230 70LINE
004		537020900	HEATING ELEMENT 1000W 230V OVEN S70
004		537020901	HEATING ELEMENT 1200W 230V OVEN S70
005		539018900	INDEX FOR KNOB
005		536019700	BLACK KNOB §70 PIN §6*5
005		539018000	ADHESIVE GRAD.DISC 7POS.DOUBLE RED
005		537021500	REGULATOR FOR EL.PLATE 2CIRC.230V
005		537014100	WHITE WARNING LIGHT 250V
005		536013800	KNOB D.70 BLACK 6*5 WITH SPRING