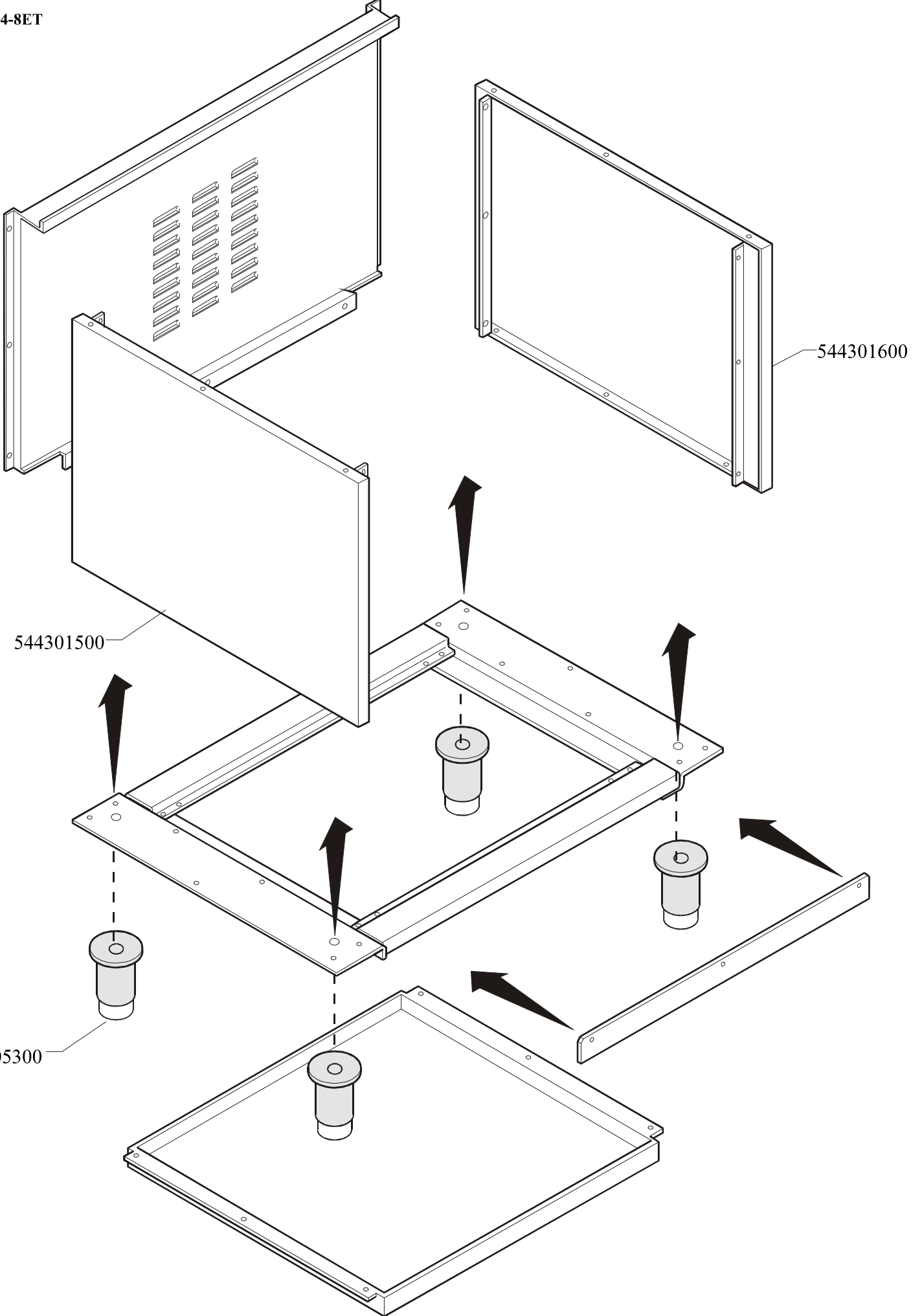
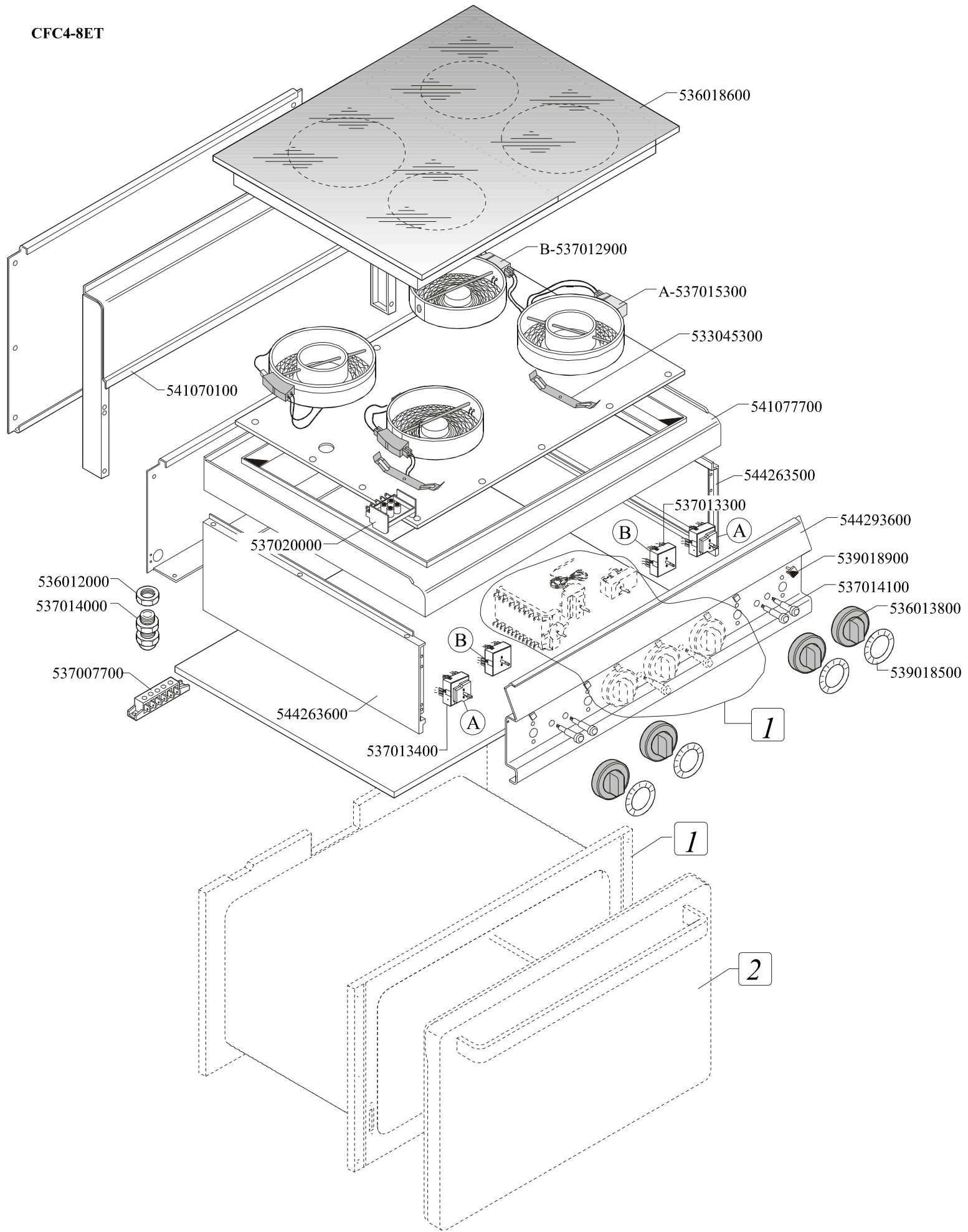


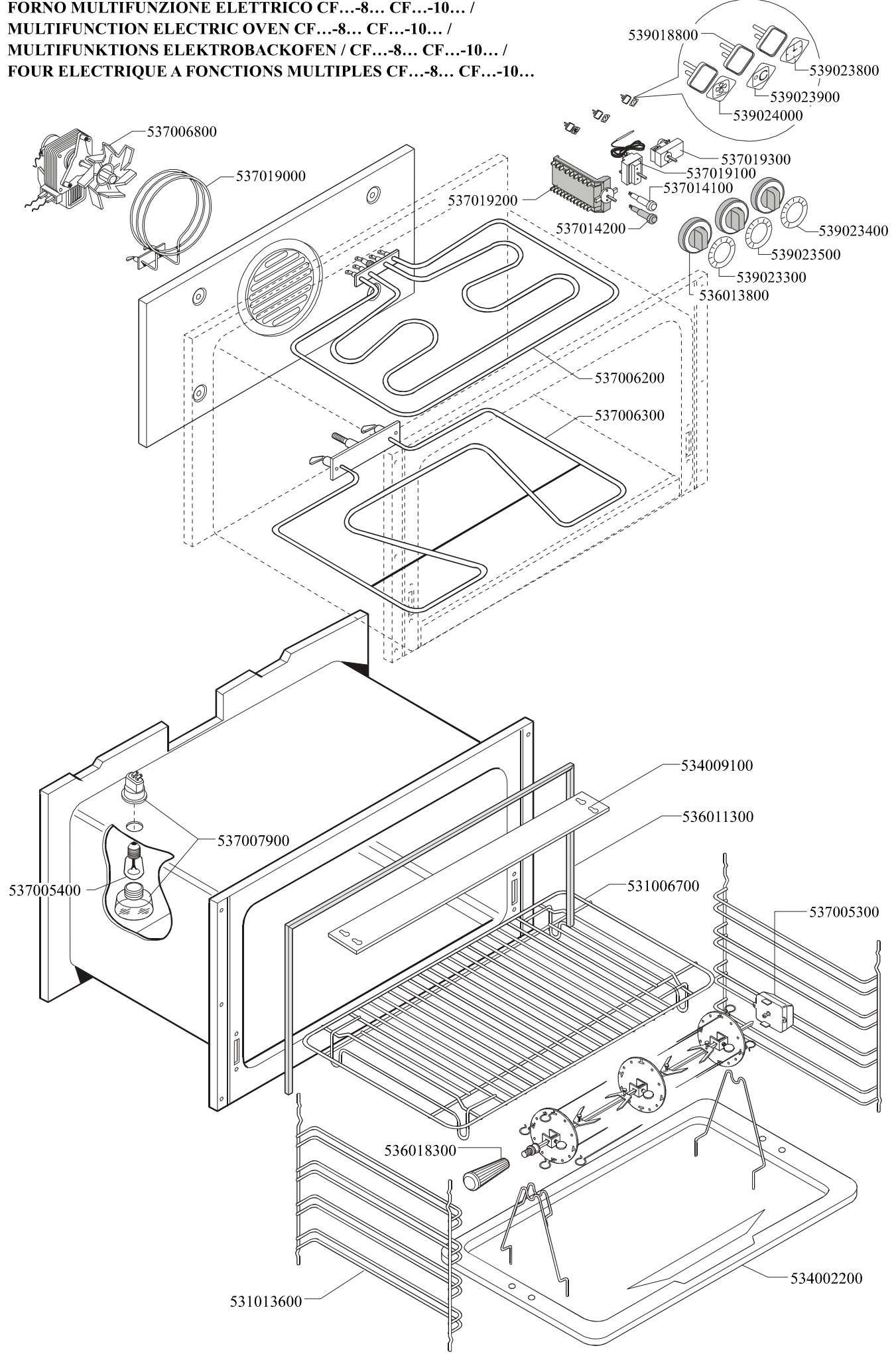
CFC4-8ET



CFC4-8ET

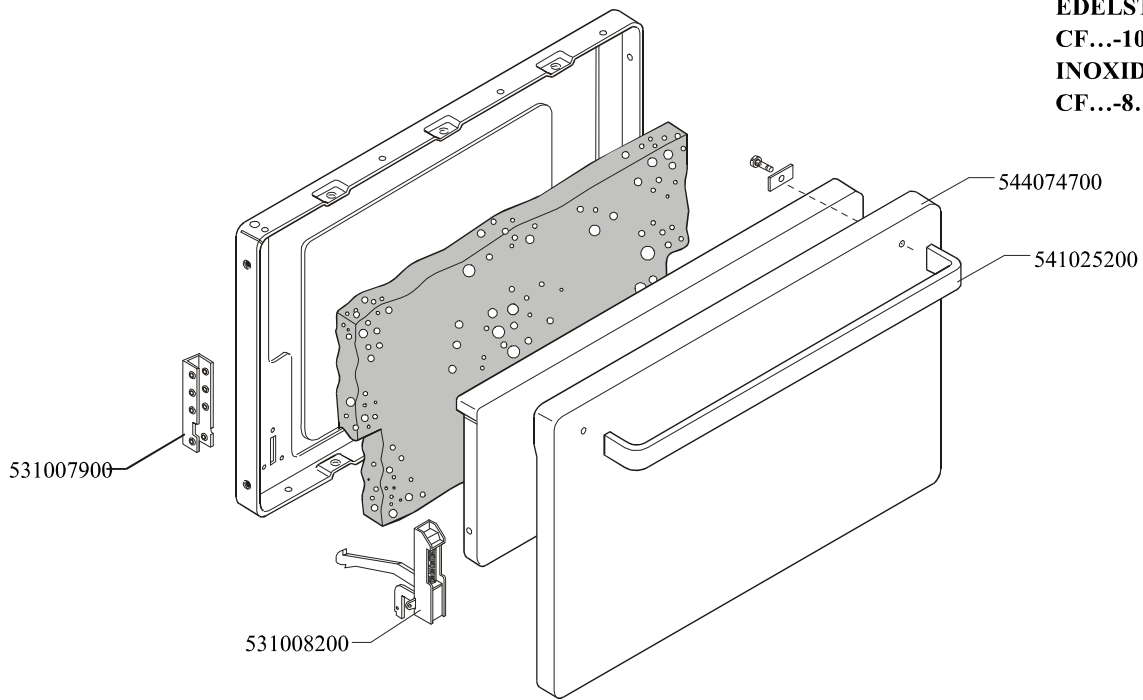


**FORNO MULTIFUNZIONE ELETTRICO CF...-8... CF...-10... /  
MULTIFUNCTION ELECTRIC OVEN CF...-8... CF...-10... /  
MULTIFUNKTIONS ELEKTROBACKOFEN / CF...-8... CF...-10... /  
FOUR ELECTRIQUE A FONCTIONS MULTIPLES CF...-8... CF...-10...**

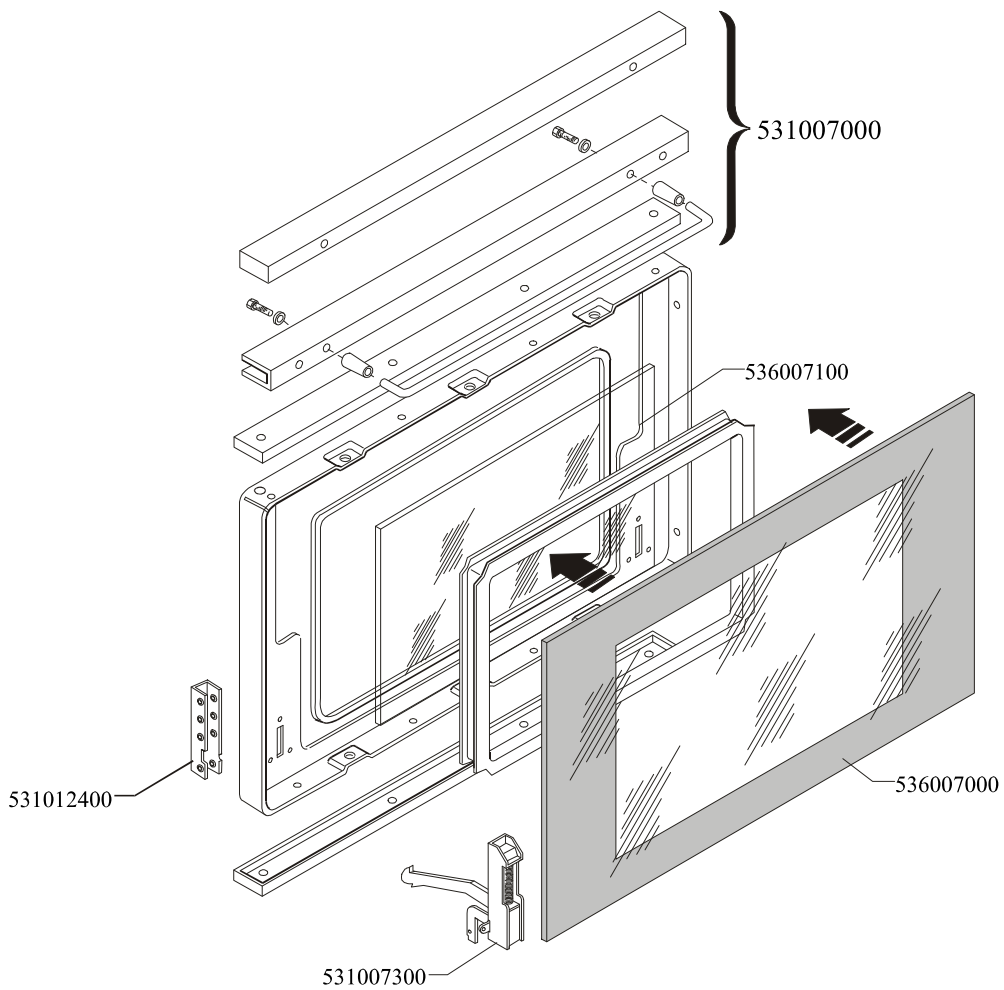


531012700

PORTE INOX/VETRO FORNO CF...-8...  
CF...-10... / STAINLESS-STEEL/GLASS  
DOORS OVEN CF...-8... CF...-10... /  
EDELSTAHL/GLASTÜREN OFEN CF...-8...  
CF...-10... / PORTES EN ACIER  
INOXIDABLE/VITRES POUR FOUR  
CF...-8... CF...-10...



531009600



Page	Pos	Code	Description
001		544301600	RIGHT SIDE FOR 65 RANGE
001		544301500	LEFT SIDE FOR 65 RANGE
001		536005300	PLASTIC LED 2"
002		536018600	CERAMIC SHEET COMPLETE+FRAME PCC-8E
002		B-537012900	ELECTRICAL PLATE 1800W 230W PCC-65
002		A-537015300	ELECTRICAL PLAT DOUBLE CIRCUIT
002		533045300	PLATE SPRING PCC
002		541077700	UPPER PLATE PCC-8E
002		544263500	RIGHT SIDE S.65
002		537013300	CURRENT REGULATOR FOR ELEC. PLATE
002		544293600	CONTROL PANEL CF4/CFC4-8ET
002		539018900	INDEX FOR KNOB
002		537014100	WHITE WARNING LIGHT 250V
002		536013800	KNOB D.70 BLACK 6*5 WITH SPRING
002		539018500	ADHESIVE GRADUATED DISC FOR KNOB
002		537013400	CURRENT REG. FOR DOUBLE ELEC. PLATE
002		544263600	LEFT SIDE S.65
002		537007700	TERMINAL BLOCK THREEPHASE 40A
002		537014000	CABLE SECURING CLAMP PG-21
002		536012000	HEXAGONAL LOCK NUT PG-21
002		537020000	REMAINING HEAT 4 PILOT LIGHTS UNIT
002		541070100	NEUTRAL SPACER 8
003		537006800	FAN 240V CF-62
003		537019100	THERMOSTAT FOR MULTIFUNCTION OVEN
003		539018800	INDEX FOR OVEN KNOB
003		539023800	SIGN PLATE FOR OVEN TIMER
003		539023900	SIGN PLATE FOR OVEN TEMPERATURE
003		539024000	SIGN PLATE FOR OVEN SELECTOR
003		537019300	TIMER FOR MULTIFUNCTION OVEN
003		539023400	ADHESIVE GRADUATED DISC F.KNOB
003		539023500	ADHESIVE GRAD.DISC *E.MULTIF.TERM.
003		539023300	ADHESIVE GRADUATED DISC FOR KNOB
003		536013800	KNOB D.70 BLACK 6*5 WITH SPRING
003		537014100	WHITE WARNING LIGHT 250V
003		537014200	GREEN WARNING LIGHT 250V
003		537019200	SELECTOR FOR MULTIFUNCTION OVEN
003		537006200	UPPER OVEN HEATING EL.1000+2000W
003		537006300	LOWER OVEN HEATING EL.W1750 230CF8/
003		537005400	OVEN BULB 15W 300°C
003		537007900	OVEN BULB-SOCKET
003		534009100	GRILL PROTECTION CF-8/10
003		536011300	OVEN GASKET CF-8/10
003		531006700	OVEN GRID FOR CF-8/10
003		537005300	MOTOR FOR SPIT CF-8/10
003		534002200	OVEN DRIPPING-PAN CF-8/10
003		531013600	SIDE GRID FOR MAXI/VENTILATED OVEN
004		531012700	STAINLESS STEEL OVEN DOOR CF-8/10
004		531007900	STAINLESS STEEL DOOR WHEEL HOLDER
004		531008200	STAINLESS STEEL DOOR HINGE CF-8/10
004		544074700	STAINLESS STEEL OVEN DOOR PANEL
004		541025200	STAINLESS STEEL OVEN DOOR HANDLE

<b>Page</b>	<b>Pos</b>	<b>Code</b>	<b>Description</b>
004		531009600	COMPLETE GLASS OVEN DOOR
004		531012400	GLASS DOOR WHEEL HOLDER CF-8/10
004		531007300	GLASS DOOR HINGE CF-8/10
004		536007100	INTERNAL GLASS OVEN DOOR CF-8/10
004		536007000	EXTERNAL GLASS OVEN DOOR CF8/10