

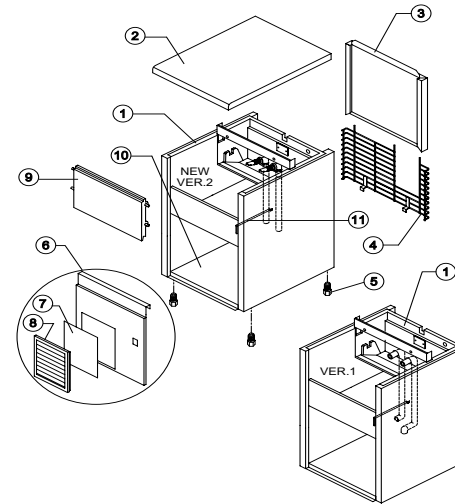


CB 246

LIST OF THE EXPLODED VIEWS



SHELL ASSY

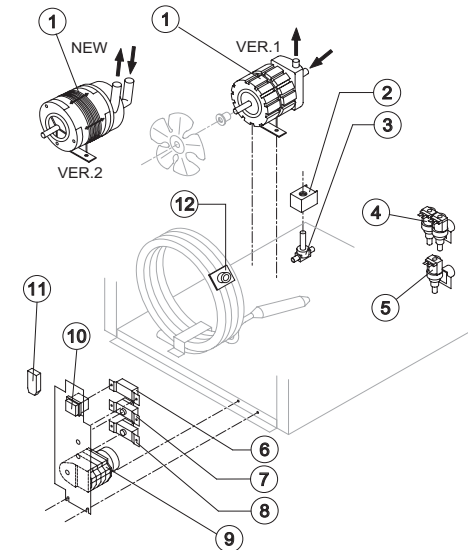
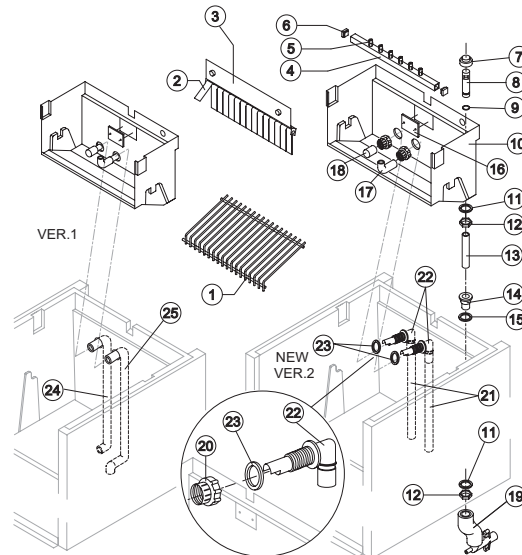
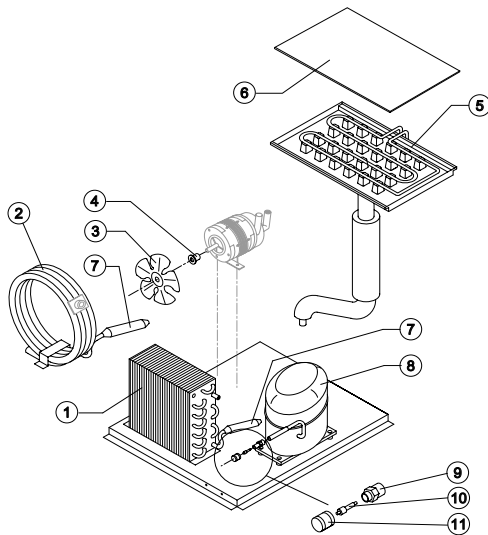


COOLING SYSTEM

HYDRAULIC CIRCUIT

ELECTRIC PARTS

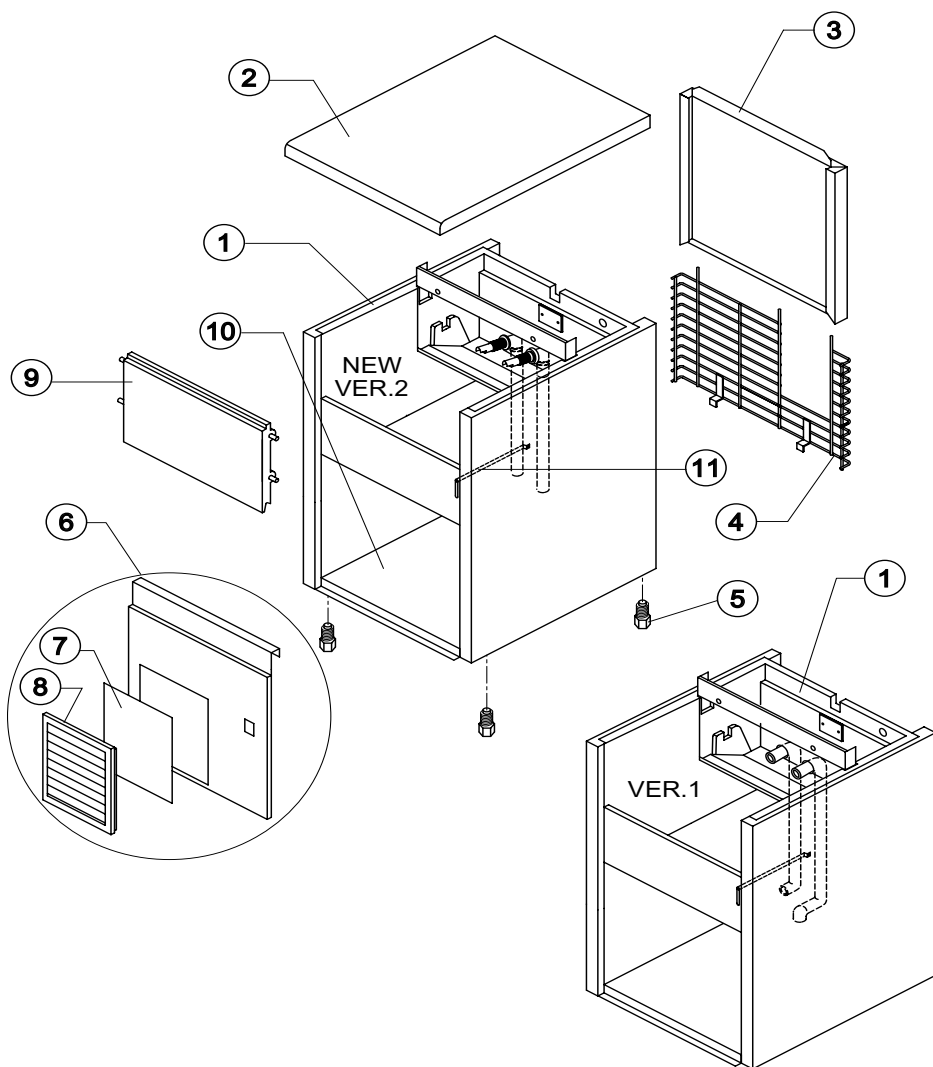
Rev. 2 - 10/2/2003





CB 246

SHELL ASSY



Rev. 2 - 10/2/2003

Ref.	Spare Description	Code
1	Foamed Cabinet Assy	See Table
2	Top Assembly	C22693
3	Back Panel Assembly	C22146
4	Rear Grid	D12002
5	Foot	10017
6	Front Grid Panel	Current Version
6	Front Panel	Till s/n 28877
7	Filtering Panel	18106
8	Frame with Grid	C10205
9	Door Assembly	C10303
10	Base Plate	21001
11	Bulb Thermostat Tube	Current Version
11	Bulb Thermostat Tube	Till s/n 94517

Ref. 1 - Foamed Cabinet Assy Version 1

Kind of Cube	Code
18 g. (Standard)	C11002/E
33 g. (Big)	C11002/E
13 g. (Small)	C11002/ED

Ref. 1 - Foamed Cabinet Assy Version 2

Condensation	Code
Air	C11002A
Water	C11002W



CB 246

COOLING SYSTEM

Common Parts

Ref.	Spare Description	Code
3	Suction Impeller	10213
4	Hub with Washer and Screw	10014
5	Evaporator	See Table
6	Evaporator Cover	10008
7	Molecular Drier	14009
8	Compressor	See Table
9	Vacuum-Charge Valve Body	14007
10	Vacuum-Charge Valve Device	14005
11	Vacuum-Charge Valve Plug	14006

Parts For Air-Cooled Version Only

Ref.	Spare Description	Code	
1	Air Condenser	Current Version	20534
1	Air Condenser	Till s/n 104676	20069

Parts For Water-Cooled Version Only

Ref.	Spare Description	Code	
2	Water Condenser	Current Version	14057
2	Water Condenser	Till s/n 28525	14002

Ref. 5 - Evaporator

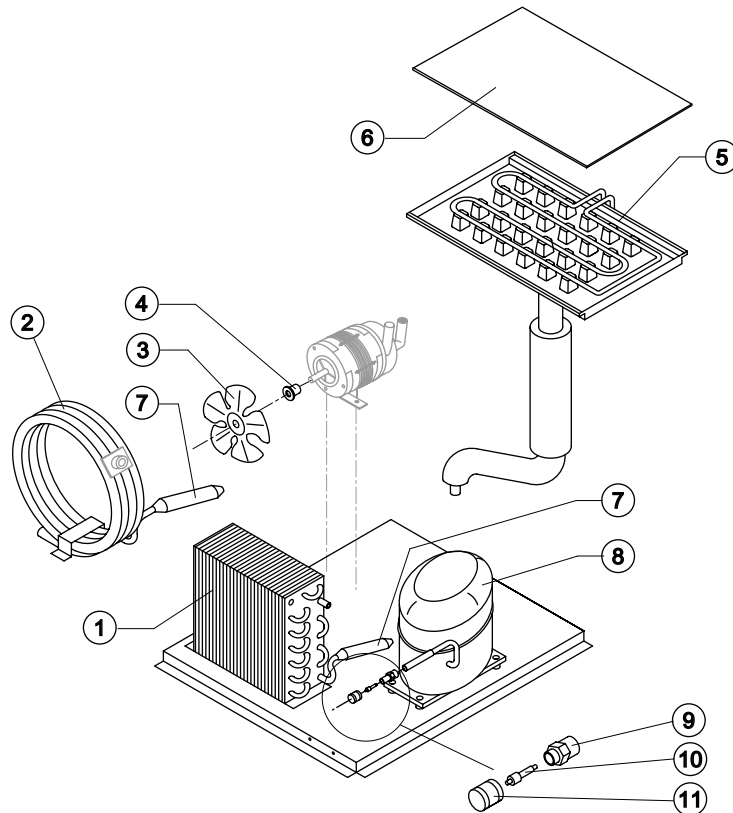
Kind of Cube	Code
18g. (Standard)	D10045
33 g. (Big)	D10320
13 g. (Small)	D10416

Ref. 8 - Compressor

Tension	Refr. R404A	Refr. R22
220/240V 50 Hz	23436	23197
220/230V 60 Hz	23494	23346
110/115V 60 Hz	23446	23368



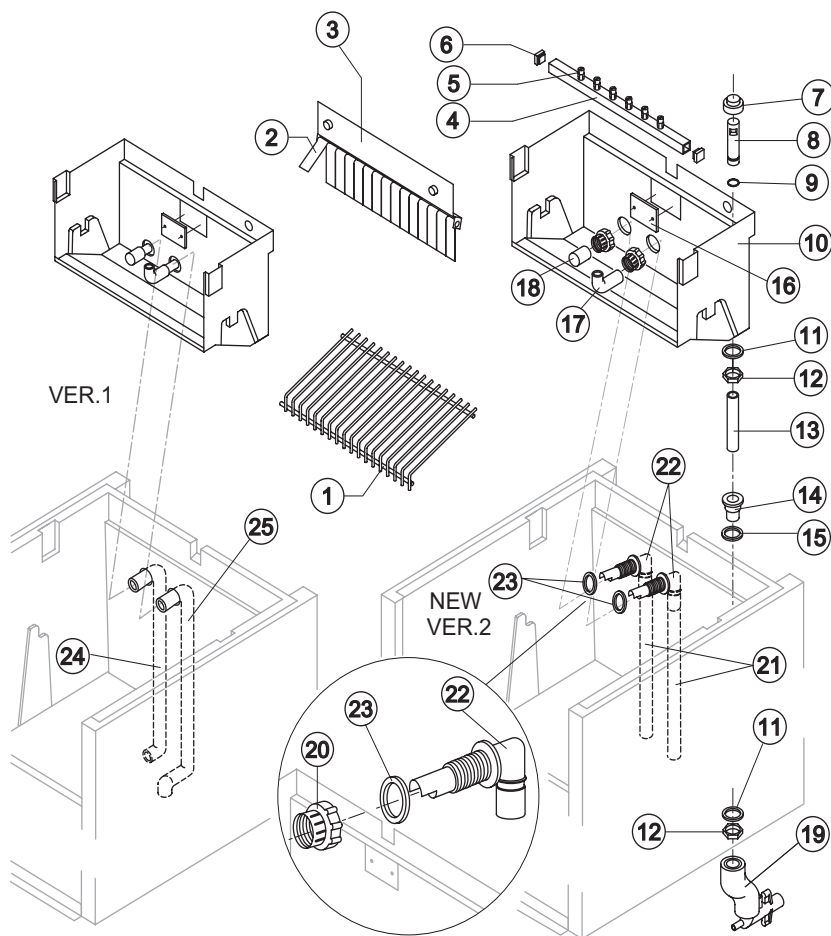
Ref. 5 - For ice makers made in version 1 (for "small size" ice cube only) ask, beside the Evaporator, also the Evaporator Support.





CB 246

HYDRAULIC CIRCUIT



Common Parts

Ref.	Spare Description	Code
1	Ices Cube Slide	See Table
2	Flag	10005
3	Flags Support Assy	C22034
4	Sprayers Bar Assembly	See Table
5	Sprayer	D20002
6	Sprayers Bar Plug	10012
7	Overflow Cap	10305
8	Overflow Pipe	10133
9	Or Gasket for Overflow Pipe	20233
10	Inner Basin	10252
11	Semirigid Polyethylene gasket	13007
12	Bin Discharge Nut	10096
13	Overflow Pipe	Current Version
13	Overflow pipe	Till s/n. 65042
14	Plastic Nipple Water Outlet	10007
15	Silicone Gasket	13006
16	Slide Keep Plate	10009
17	Sprayers Feeding Pipe	13005
18	Pump Suction Filter	20005
20	Fittings Locking Ring	Version 2
20	Fittings Locking Ring	10405
21	Pump Suction/Delivery Pipe	Version 2
21	Pump Suction/Delivery Pipe	13136
22	Fitting of the Pump Suction/Delivery Pipes	Version 2
22	Fitting of the Pump Suction/Delivery Pipes	10404
23	Gasket for Suction Line/Pump Delivery	Version 2
23	Gasket for Suction Line/Pump Delivery	13143
24	Pump Suction Pipe	Version 1
24	Pump Suction Pipe	13003
25	Pump Delivery Pipe	Version 1
25	Pump Delivery Pipe	13002

Ref. 1 - Ices Cube Slide

Kind of Cube	Code
18 g. (Standard)	D12001
33 g. (Big)	D12066
13 g. (Small)	D12046

Ref. 4 - Sprayers Bar Ass.

Kind of Cube	Code
18 g. (Standard)	C20028
33 g. (Big)	C20530
13 g. (Small)	C20289

Parts for Air Cooled Version Only

Ref.	Spare Description	Code
19	Discharges Manifold	C10006

Parts for Water Cooled Version Only

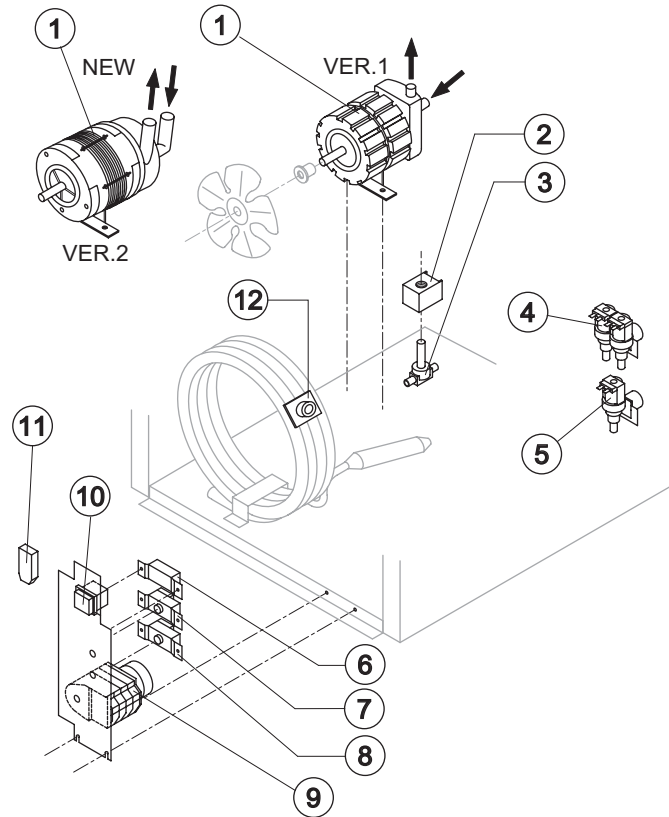
Ref.	Spare Description	Code
19	Discharges Manifold	C26452

Rev. 2 - 10/2/2003



CB 246

ELECTRIC PARTS



Common Parts

Ref.	Spare Description	Code
1	Pump	See Table
2	Hot Gas Coil	See Table
3	Hot Gas Valve Body	20410
7	Bin Thermostat	23005
8	Evaporator Thermostat	23591
9	Timer	See Table
10	Green Light Switch	23327

Parts for Air Cooled Version Only

Ref.	Spare Description	Code
5	Inlet Water Valve 1 Way	See Table

Parts for Water Cooled Version Only

Ref.	Spare Description	Code
4	Inlet Water Valve 2 Ways	See Table
6	Condenser Pressure Switch	23175
11	Anti Radio Interference Filter	Only 220V 50 Hz 23457
12	Safety Thermostat	C23114

Ref. 1 - Pump

Tension	Version 1	Version 2
220/240V 50 Hz	23002	23377
220/230V 60 Hz	23002	23377
110/115V 60 Hz	23264	23663

Ref. 2 - Hot Gas Coil

Tension	Code
220/240V 50 Hz	23091
220/230V 60 Hz	23091
110/115V 60 Hz	23256

Ref. 9 - Timer

Tension	18 g Cube	33 g Cube	13 g Cube
220/240V 50 Hz	23222	23248	23247
220/230V 60 Hz	23248	23396	23247
110/115V 60 Hz	23259	23397	23258

Ref. 5 - Inlet Water Valve 1 Way Ref. 4 - Inlet Water Valve 2 Ways

Tension	Code	Tension	Code
220/240V 50 Hz	23497	220/240V 50 Hz	23542
220/230V 60 Hz	23497	220/230V 60 Hz	23542
110/115V 60 Hz	23499	110/115V 60 Hz	23592

Rev. 2 - 10/2/2003