

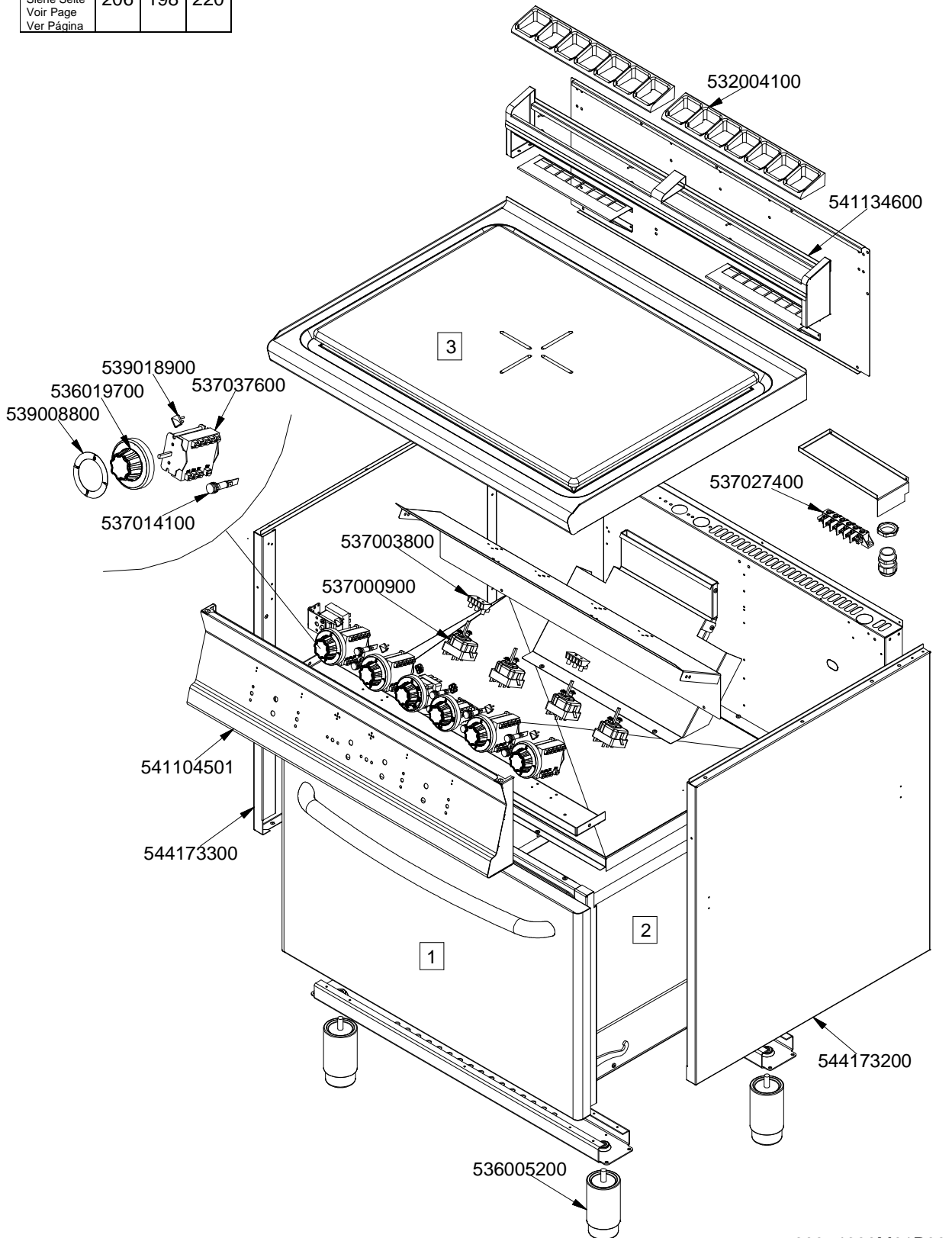
SUPERLOTUS 70≥0602

CUCINE / RANGES / HERDE / CUISINIÈRES

TPF...

TPF-78ET

| | 1 | 2 | 3 |
|---|-----|-----|-----|
| Vedi Pagina See Page Siehe Seite Voir Page Ver Pàgina | 206 | 198 | 220 |



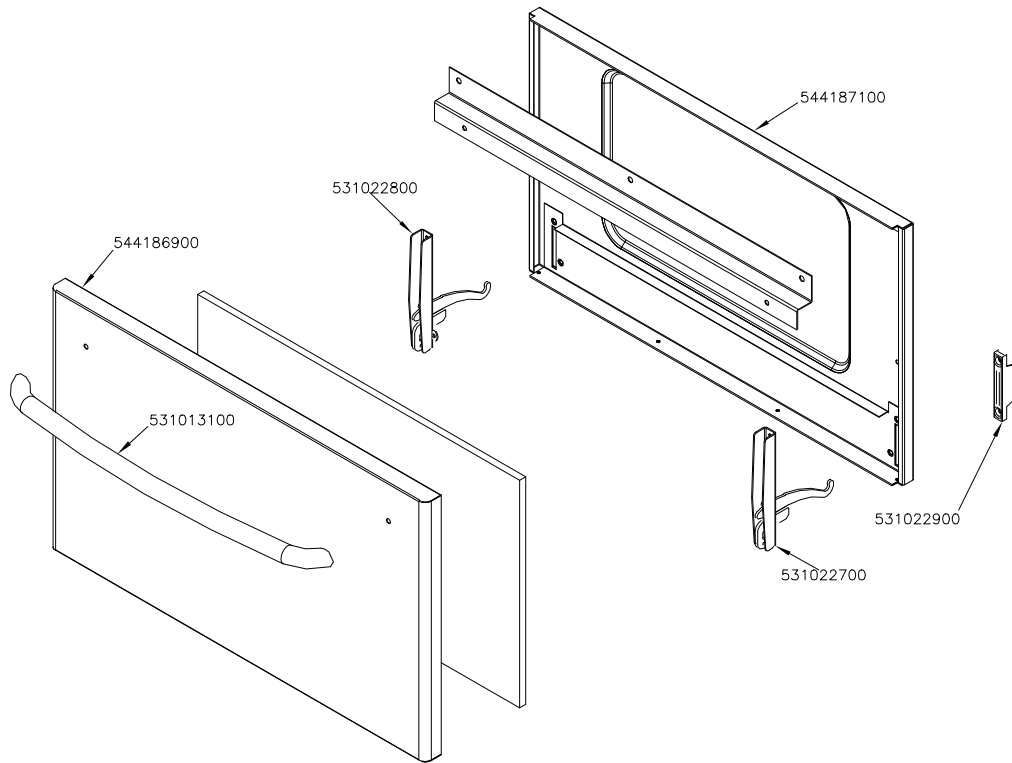
560074600M01P00

SUPERLOTUS 70≥0602

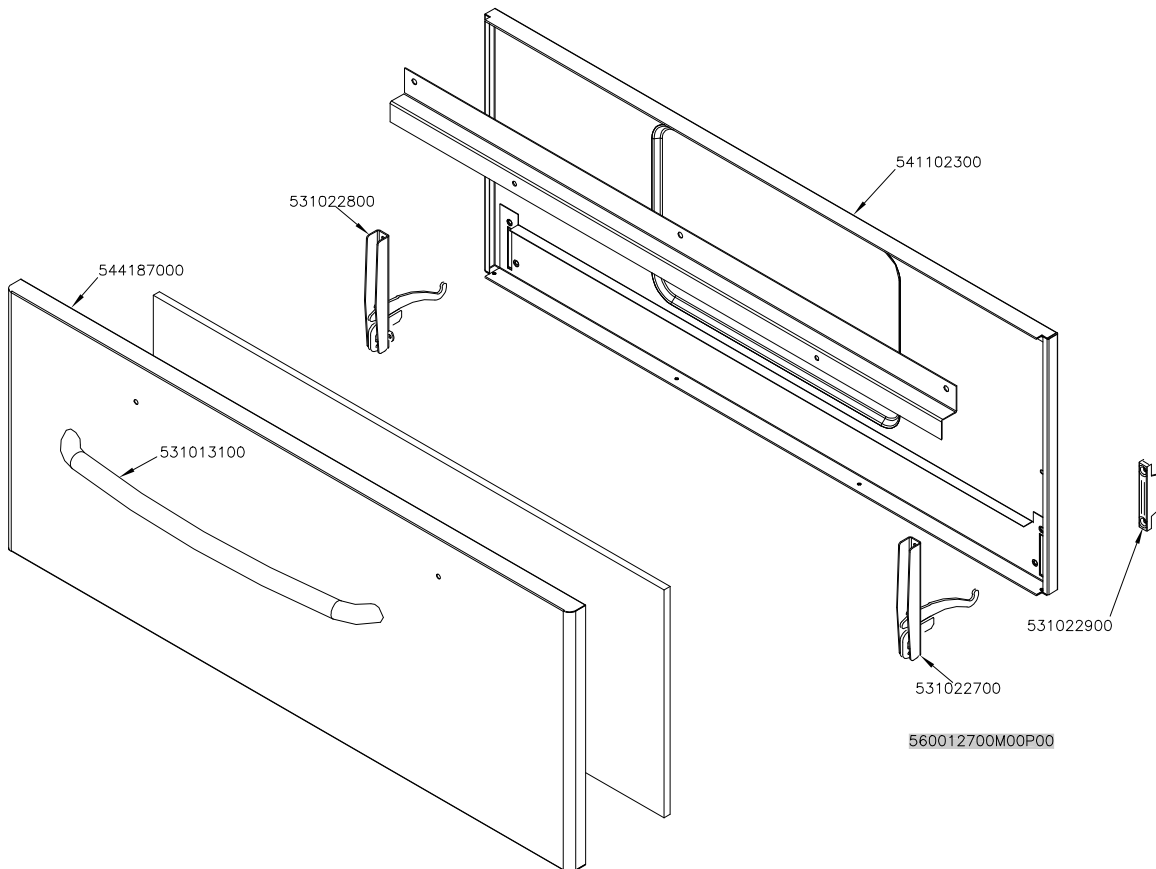
CUCINE / RANGES / HERDE / CUISINIÈRES
FORNO / OVEN / BACKOFEN / FOUR

PORTE / DOORS / TÜREN / PORTES

GN 2/1



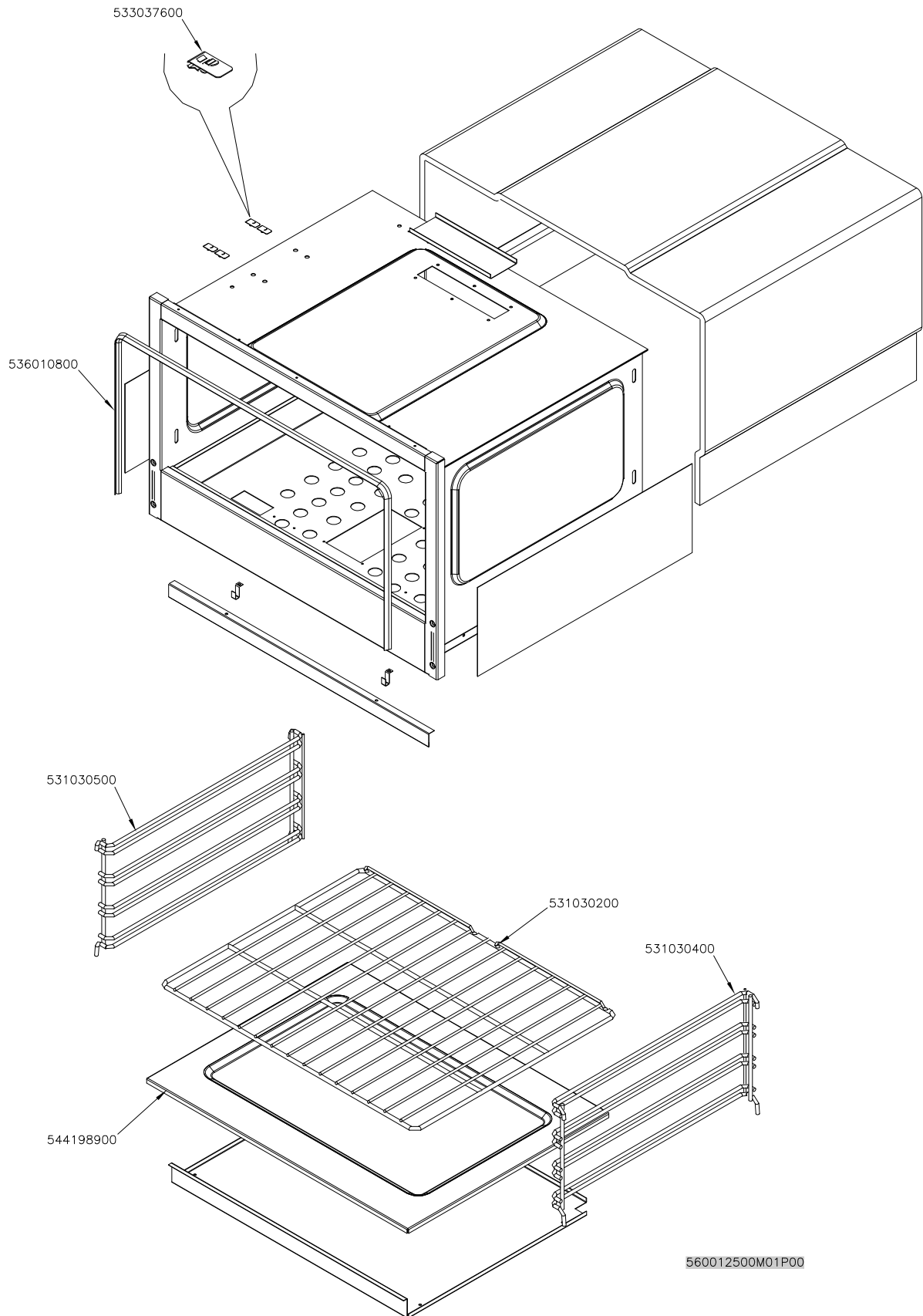
GN 3/1



SUPERLOTUS 70≥0602

CUCINE / RANGES / HERDE / CUISINIÈRES
FORNO / OVEN / BACKOFEN / FOUR

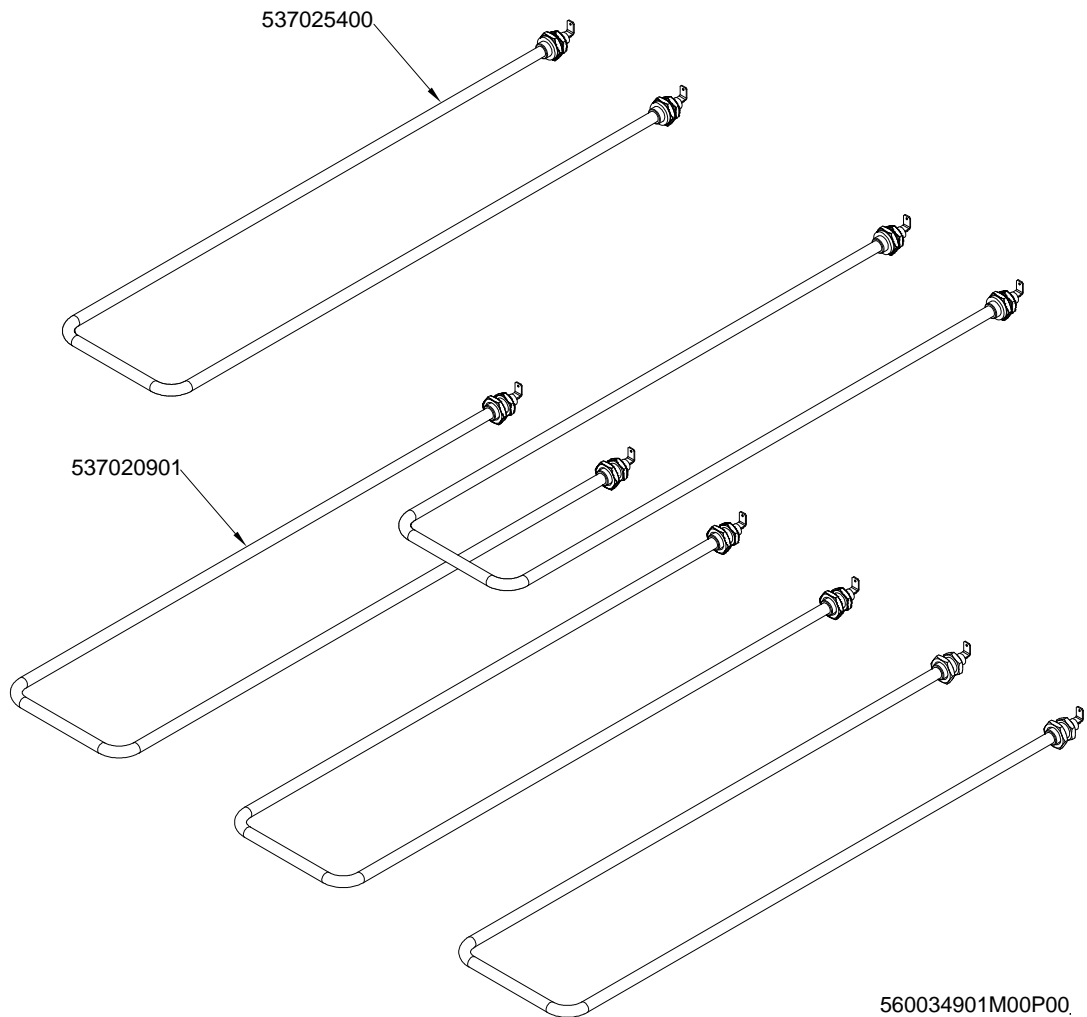
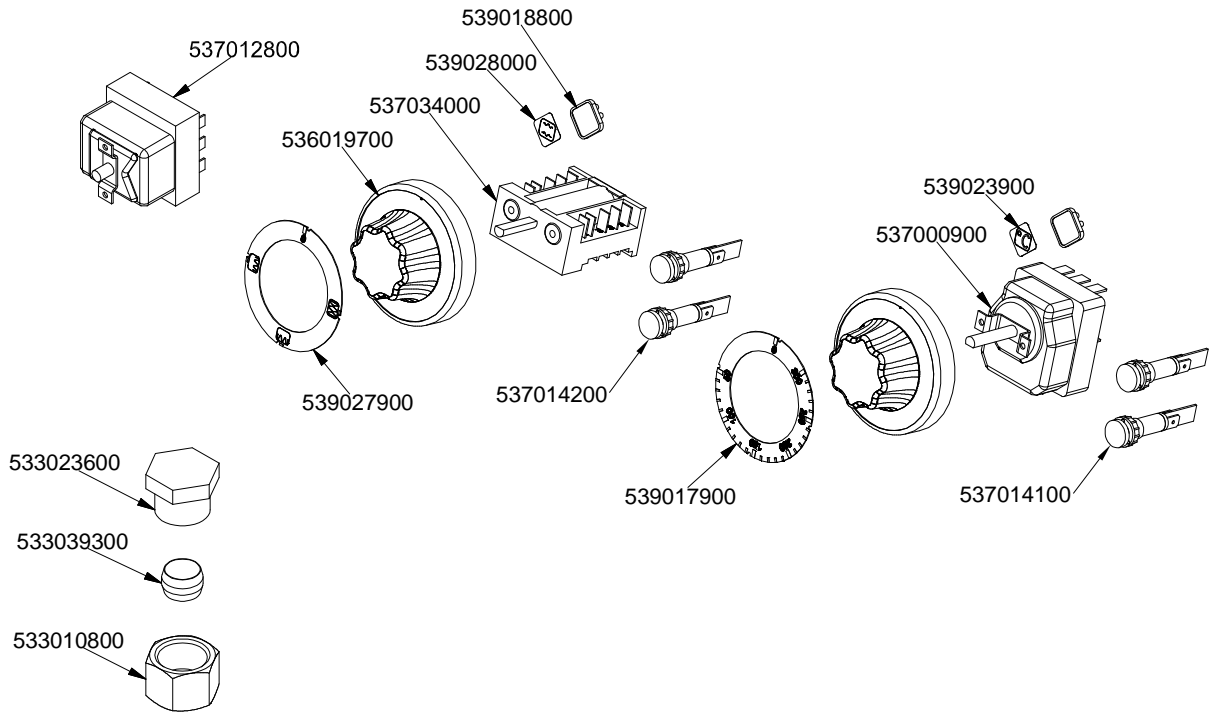
ELETRICO / ELECTRICAL / ELEKTRO / ELECTRIQUE / GN 2/1



SUPERLOTUS 70≥0602

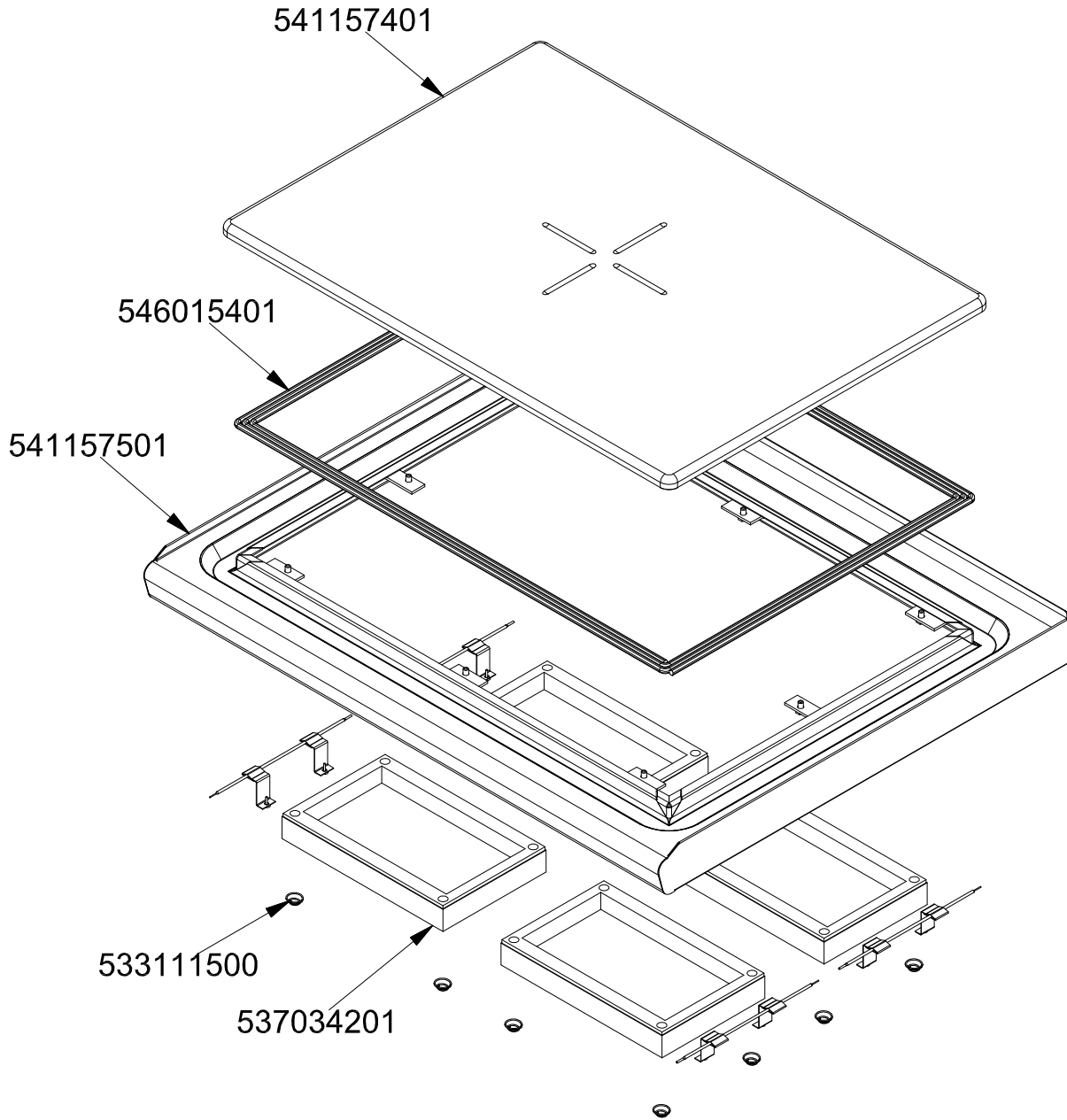
CUCINE / RANGES / HERDE / CUISINIÈRES
FORNO / OVEN / BACKOFEN / FOUR

ELETTRICO / ELECTRICAL / ELEKTRO / ELECTRIQUE / GN 2/1



560034901M00P00

TP-ET



560074800M00P00.

| Page | Pos | Code | Description |
|------|-----|-----------|-------------------------------------|
| 001 | | 532004100 | FLUE GRID L=370 70LINE (RAF) |
| 001 | | 541134600 | LOW SPACER 78 2 GRIDS |
| 001 | | 537027400 | TERMINAL BLOCK THREEPHASE 40A |
| 001 | | 537037600 | COMMUTATOR 4 POS.3PHASE S.43 32A |
| 001 | | 539018900 | INDEX FOR KNOB |
| 001 | | 536019700 | BLACK KNOB §70 PIN §6*5 |
| 001 | | 539008800 | ADHESIVE GRAD.DISC 4POS.CPT-ET RED |
| 001 | | 537014100 | WHITE WARNING LIGHT 250V |
| 001 | | 537003800 | TERMINAL BLOCK 3POLES 16A |
| 001 | | 537000900 | THERMOSTAT 50-320°C THREEPHASE |
| 001 | | 541104501 | CONTROL PANEL CF4-78E CFC4-78E C |
| 001 | | 544173300 | LEFT SIDE PANEL RANGE S.70 |
| 001 | | 544173200 | RIGHT SIDE PANEL RANGE S.70 |
| 001 | | 536005200 | INOX LEG 2" 120-180 M10 |
| 002 | | 531013100 | OVEN DOOR HANDLE OF 70/90-LINE |
| 002 | | 544186900 | OVEN DOOR GN 2/1 S.70 |
| 002 | | 531022800 | LEFT OVEN DOOR HINGE S.70 |
| 002 | | 544187100 | OVEN INNER DOOR GN 2/1 S.70 |
| 002 | | 531022900 | HINGE DOOR WHEEL HOLDER S.70 |
| 002 | | 531022700 | RIGHT OVEN DOOR HINGE 70LINE |
| 002 | | 544187000 | OVEN DOOR GN 3/1 S.70 |
| 002 | | 541102300 | GAS OVEN INNER DOOR GN 3/1 S.70 |
| 003 | | 533037600 | LOCK SPRING FOR BULB |
| 003 | | 536010800 | OVEN GASKET GN 2/1 (1261) |
| 003 | | 531030500 | LHD SUPPORT GRID FOR OVEN OF 70LINE |
| 003 | | 544198900 | 70 ELECTRICAL OVEN BOTTOM GN2/1 |
| 003 | | 531030200 | OVEN GRID GN 2/1 FOR 70 LINE |
| 003 | | 531030400 | RHD SUPPORT GRID FOR OVEN OF 70LINE |
| 004 | | 537012800 | SAFETY THERMOSTAT 420°C THREEPHASE |
| 004 | | 539018800 | INDEX FOR OVEN KNOB |
| 004 | | 539028000 | SELECTOR SIGN PLATE FOR OVEN |
| 004 | | 537034000 | |
| 004 | | 536019700 | BLACK KNOB §70 PIN §6*5 |
| 004 | | 539023900 | SIGN PLATE FOR OVEN TEMPERATURE |
| 004 | | 537000900 | THERMOSTAT 50-320°C THREEPHASE |
| 004 | | 539027900 | ADHESIV.GRADUATED DISC FOR SELECTOR |
| 004 | | 537014200 | GREEN WARNING LIGHT 250V |
| 004 | | 539017900 | ADHESIVE GRADUATED DISC FOR KNOB |
| 004 | | 537014100 | WHITE WARNING LIGHT 250V |
| 004 | | 533023600 | TAP PLUG §10 M16*1, 5CH19 |
| 004 | | 533039300 | BICONE §10 |
| 004 | | 533010800 | TUBE NUT D.10 M16*1,5 |
| 004 | | 537025400 | OVEN UPPER HEAT.EL.W700 V230 70LINE |
| 004 | | 537020901 | HEATING ELEMENT 1200W 230V OVEN S70 |
| 005 | | 541157401 | PLATE TP-78E |
| 005 | | 546015401 | |
| 005 | | 541157501 | UPPER PLATE TP-78E |
| 005 | | 533111500 | COIL SPRING INTØ7X18XØFILO1 H=10 |
| 005 | | 537034201 | EL. PLATE 160X250 2500W230V |