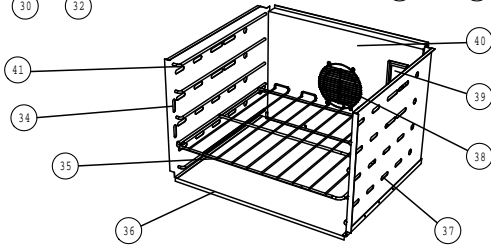
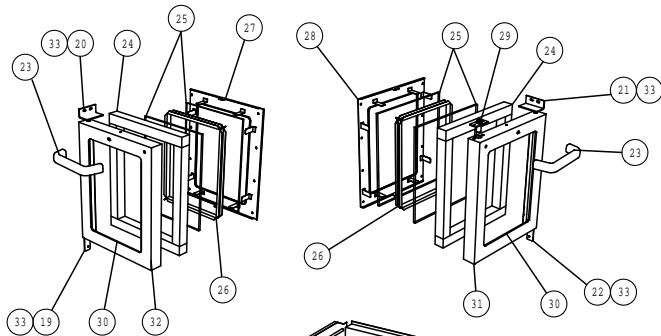
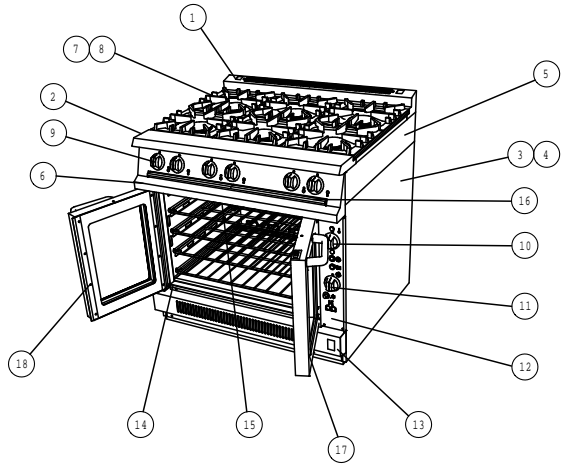
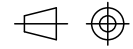


IF IN DOUBT ASK!!

DO NOT SCALE !!

First Angle Projection



G2102 C FITMENTS

Part No	Spares No	Description
1	535480046	Rear hob rail
2	535480047	Front hob rail
3	531740190	L/H Outer oven side panel
4	531740180	R/H Outer oven side panel
5	535500000	Outer hob side panel
6	535500001	Hob control panel
	535500051	Hob control panel (no drip tray)
7	535400130	Pan Support (Paint)
8	535400140	Pan Support (Enamel)
9	535400010	Control Knob (hob)
10	535500002	Oven control knob
11	535500003	Timer control knob
12	535500004	Oven control panel
13	535500005	Burner grill
14	531740302	Oven door seal kit
15	531740066	Oven door catch brkt
16	535480053	Hob Drip Tray
17	535500006	RH Door assembly
18	535500007	LH Door assembly
19	535500008	LH Bottom door hinge
20	535500009	LH Top door hinge
21	535500010	RH Top door hinge
22	535500011	RH Bottom door hinge
23	535480055	Door Handle
24	535500012	Door insulation
25	535500013	Door glass
26	535500014	Door glass spacer
27	535500015	LH Inner door panel
28	535500016	RH Inner door panel
29	535480054	Door Catch
30	734350060	Door seal 2.1 M
31	535500017	RH outer door panel
32	535500018	LH outer door panel
33	535480077	Door hinge bush
34	531740230	LH oven lining
35	531740250	Oven shelf
36	531740260	Oven bottom panel
37	531740220	RH oven lining
38	531740310	Fan Guard
39	731740352	Oven Light lense
40	731742070	Oven rear lining
41	731740240	Oven shelf runner

All dimensions in millimetres, Tolerance- Linear $\pm 0.5\text{mm}$ Angular $\pm 0.5^\circ$ (or as stated). All sharp edges to be removed from sheet metal parts.

B	5432	HOB CONTROL PANEL RE-NO DRI TRAY ADDED	I. HAMILTON	18-08-05		
A		PRODUCTION ISSUE	<i>lain jones</i>	09/12/02		
G	Issue	Mod No.	Alteration	Zone	Drawn by	Date



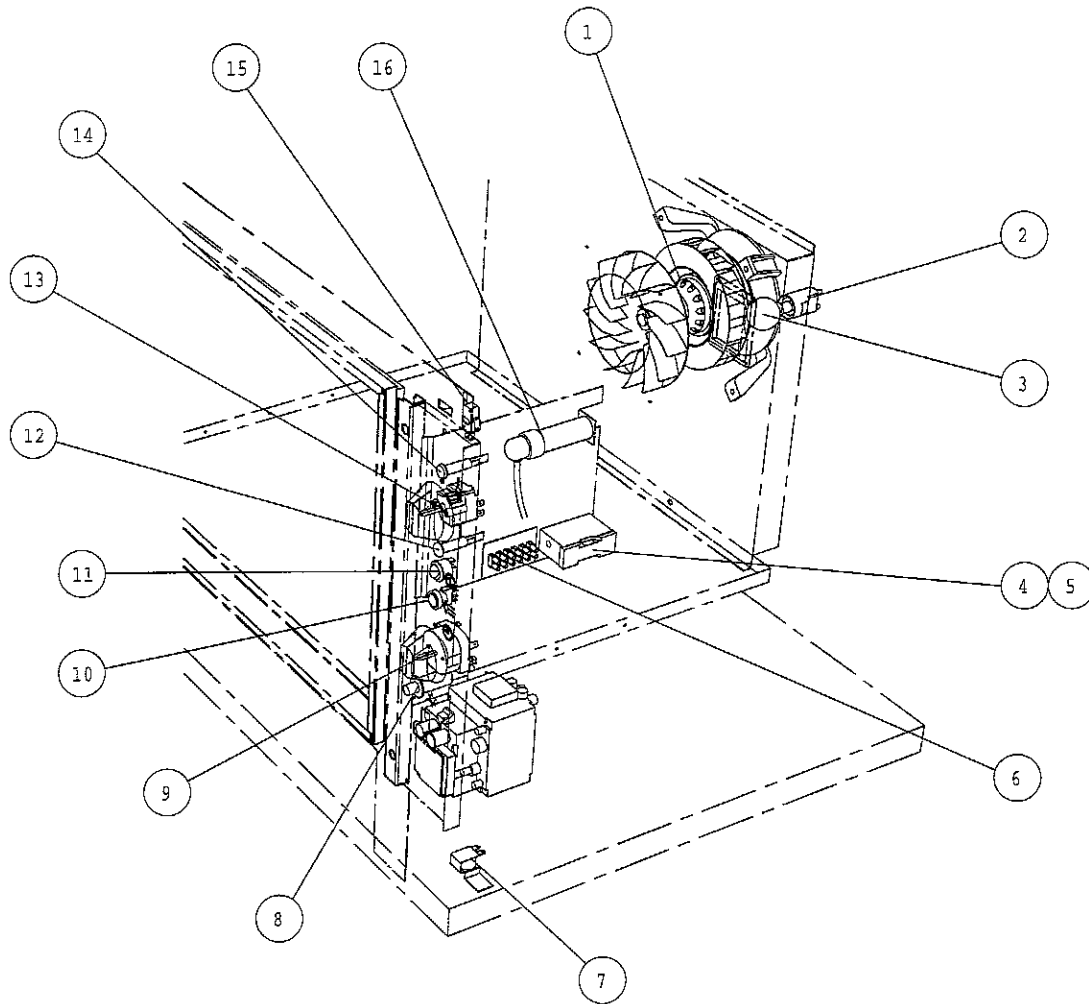
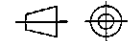
Drawn	<i>lain jones</i>	Product	G2102 C CONVECTION RANGE	
Date	09/12/02	Title	G2102 FITMENTS SPARES INFO	
Scale	N.T.S	Matl.	_____	Drawing Number
No. off	_____	Finish	_____	Issue
Bin No.	RZZ356	Kraus No.	_____	AA40930
				B

© No reproduction or publication of this drawing may be made and no article may be manufactured or assembled in accordance with this drawing without prior written consent. This prohibition is a term of any contract relating to this drawing. Rights reserved under the Copyright Act 1956 as amended by the Design Copyright Act 1968.

This part is common to the following units

IF IN DOUBT ASK!!

DO NOT SCALE !!
First Angle Projection



G2102/12 ELEC

Part No	Spares No	Description
1	531740330	Oven Fan
2	531740341	Lamp holder
3	531740340	Oven Lamp
4	531740430	Fuse Holder c/w 2A Fuse
5	731740430	2A Fuse
6	531740420	Connector Block
7	535500035	Buzzer
8	531740630	Piezo Ignitor
9	535500036	Timer
10	535500037	Oven light Switch
11	535500038	Power Switch
12	535420008	Red neon
13	535500039	Oven Thermostat
14	535420007	Amber neon
15	531740480	Door Microswitch
16	531740400	capasitor

All dimensions in millimetres, Tolerance- Linear $\pm 0.5\text{mm}$ Angular $\pm 0.5^\circ$ (or as stated). All sharp edges to be removed from sheet metal parts.

A		PRODUCTION ISSUE		<i>lain berres</i> 09/12/02	
Issue	Mod No.	Alteration	Zone	Drawn by	Date



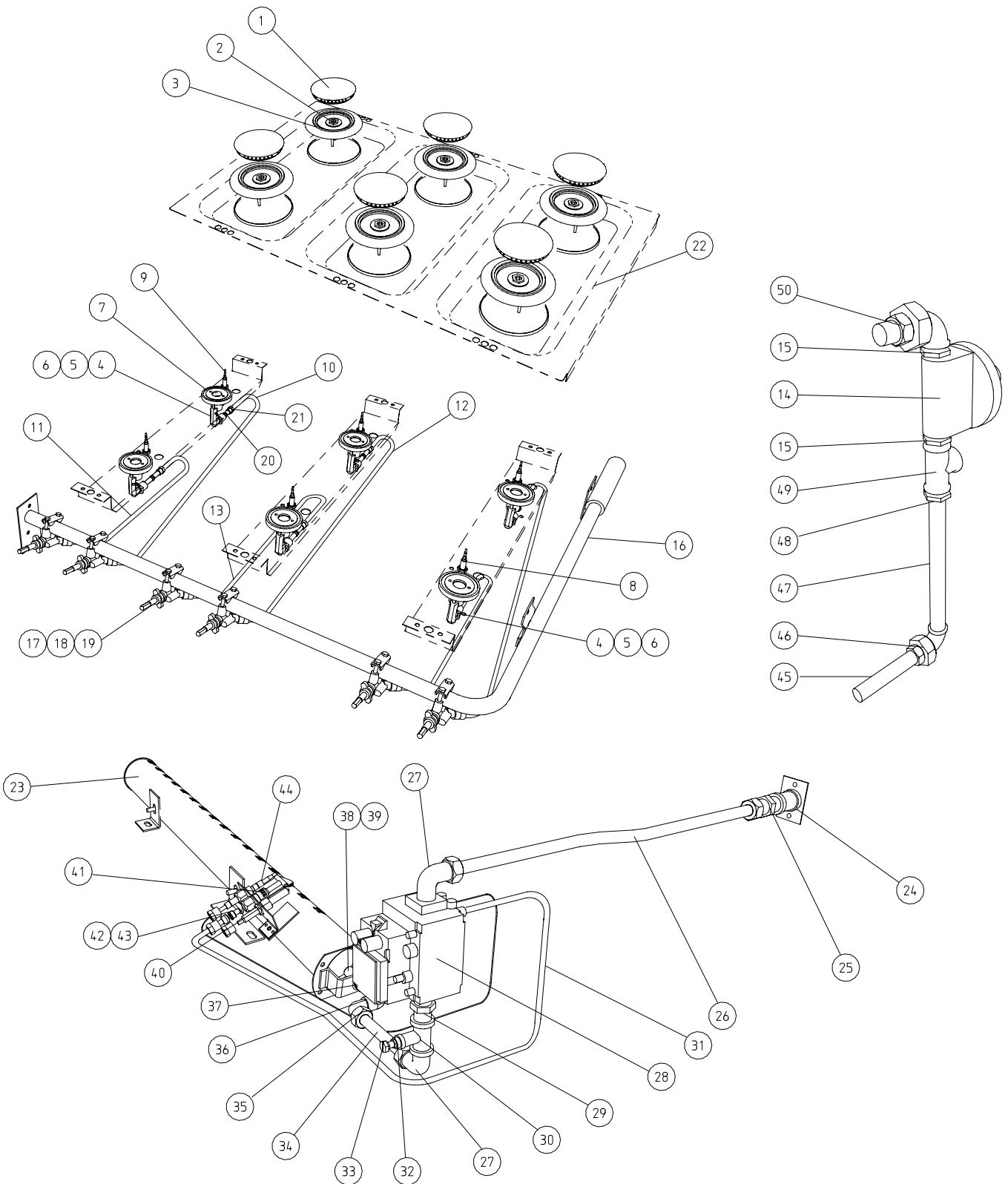
No reproduction or publication of this drawing may be made and no article may be manufactured or assembled in accordance with this drawing without prior written consent. This prohibition is a term of any contract relating to this drawing. Rights reserved under the Copyright Act 1956 as amended by the Design Copyright Act 1988.

This part is common to the following units

Drawn	<i>lain berres</i>	Product	G2102/12 CONVECTION RANGE	
Date	09/12/02	Title	G2102/12 ELECTRICS SPARES INFO	
Scale	N.T.S	Matl.	_____	Drawing Number
No. off	_____	Finish	_____	AA40932
Bin No.	RZZ356	Kraus No.	_____	A

G2102 RANGE

PIPEWORK



G2102 RANGE

PIPEWORK

Pt.No.	Spares No.	Description
1.	535480006	Burner cap
2.	535400070	Burner venturi
3.	535400060	Burner base
4.	535400090	Inj. holder c/w injector (Boost - Nat.)
5.	535480009	Boost Injector OT (Ø1.95mm) - Nat.
6.	535480010	Boost Injector OT (Ø1.2mm) - Prop.
7.	535400100	Locknut for injector holder
8.	535480011	OT thermocouple - short
9.	535480012	OT thermocouple - long
10.	535400050	Burner pipe (rear outer)
11.	535400040	Burner pipe (front outer)
12.	535400030	Burner pipe (rear middle)
13.	535400020	Burner pipe (front middle)
14.	535480015	Governor
15.	535480016	$\frac{3}{4}$ " fitting
16.	535400205	Float rail
17.	535480020	Burner control for open top
18.	535480021	Bypass screw (Ø0.84mm) - Nat.
19.	535480022	Bypass screw (Ø0.5mm) - Propane
20.	535480027	Olives for tap pipes
21.	535480028	Tube nut for tap/injector holder
22.	535400150	Hob panel
23.	535500043	Oven burner
24.	535500019	Inlet socket
25.	531744130	$\frac{1}{2}$ " stud coupliing
26.	531744110	Inlet pipe

Pt.No.	Spares No.	Description
27.	531744120	$\frac{1}{2}$ " elbow
28.	531740600	Gas control valve
29.	535500020	$\frac{1}{2}$ " fitting
30.	535500021	Tee
31.	535500040	Pilot pipe
32.	535500022	Reducer
33.	535500023	Test nipple
34.	535500024	Burner pipe
35.	535500025	Elbow
36.	535500026	$\frac{3}{8}$ " elbow
37.	535500027	Reducer
38.	537741098	Injector for oven AG340 (Nat.)
39.	537741099	Injector for oven AG220 (Prop.)
40.	537742004	Oven burner electrode
41.	537742000	Oven pilot assembly
42.	537742002	Pilot injector (Nat.)
43.	537742003	Pilot injector (Prop.)
44.	535500044	Oven thermocouple
45.	535500028	Bottom feed pipe
46.	535500029	$\frac{1}{2}$ " elbow union
47.	535500030	Feed pipe - vertical (Nat.)
48.	535500031	Reducer
49.	535500032	$\frac{3}{4}$ " tee
50.	535500033	$\frac{3}{4}$ " elbow union
51.	535500034	Feed pipe - vertical (Propane)