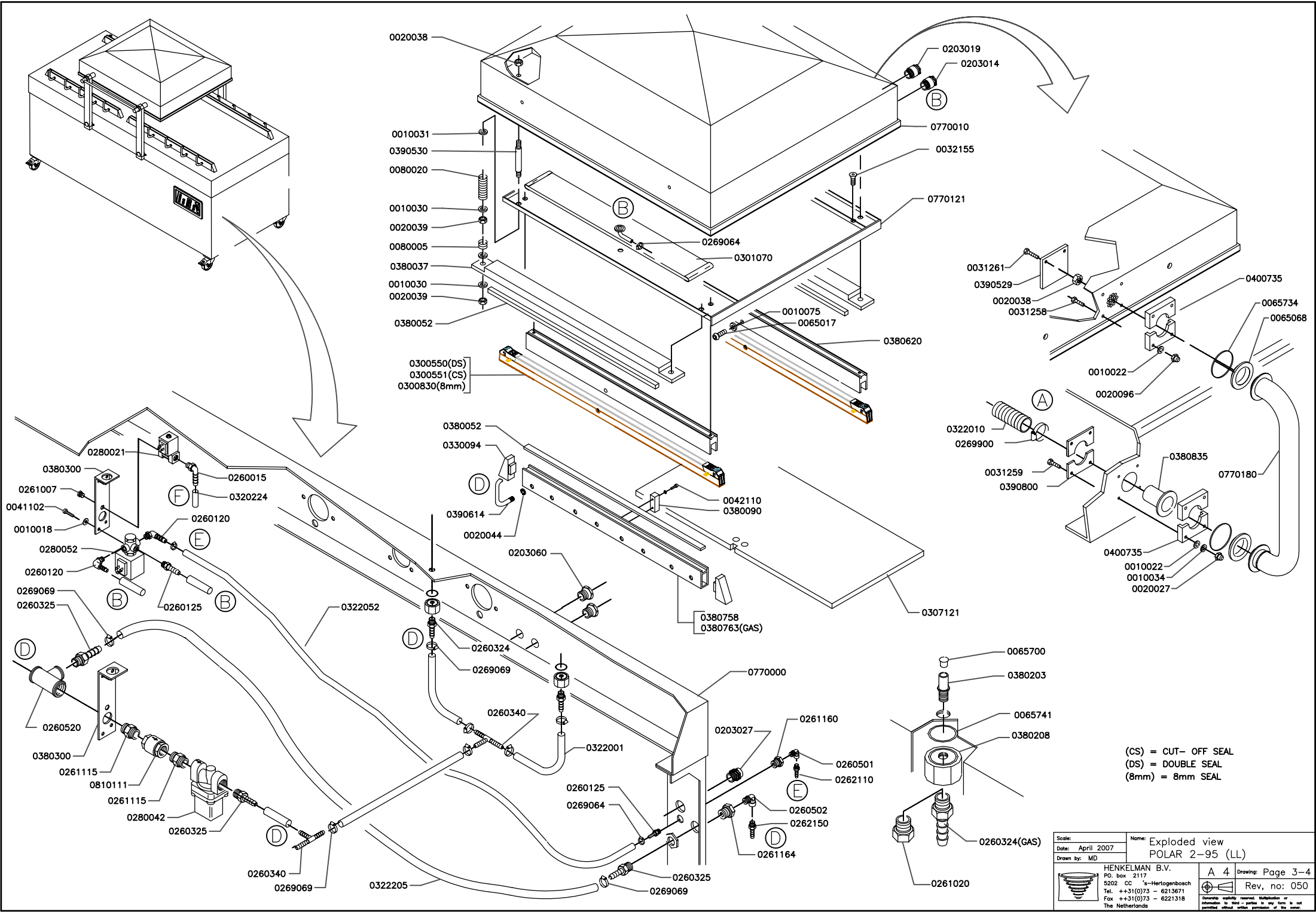
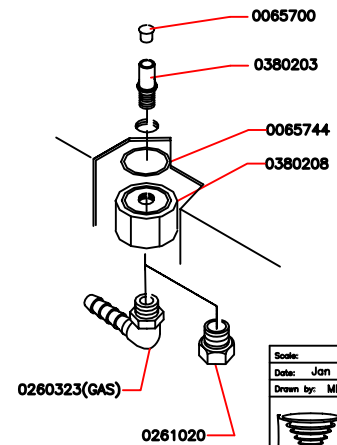
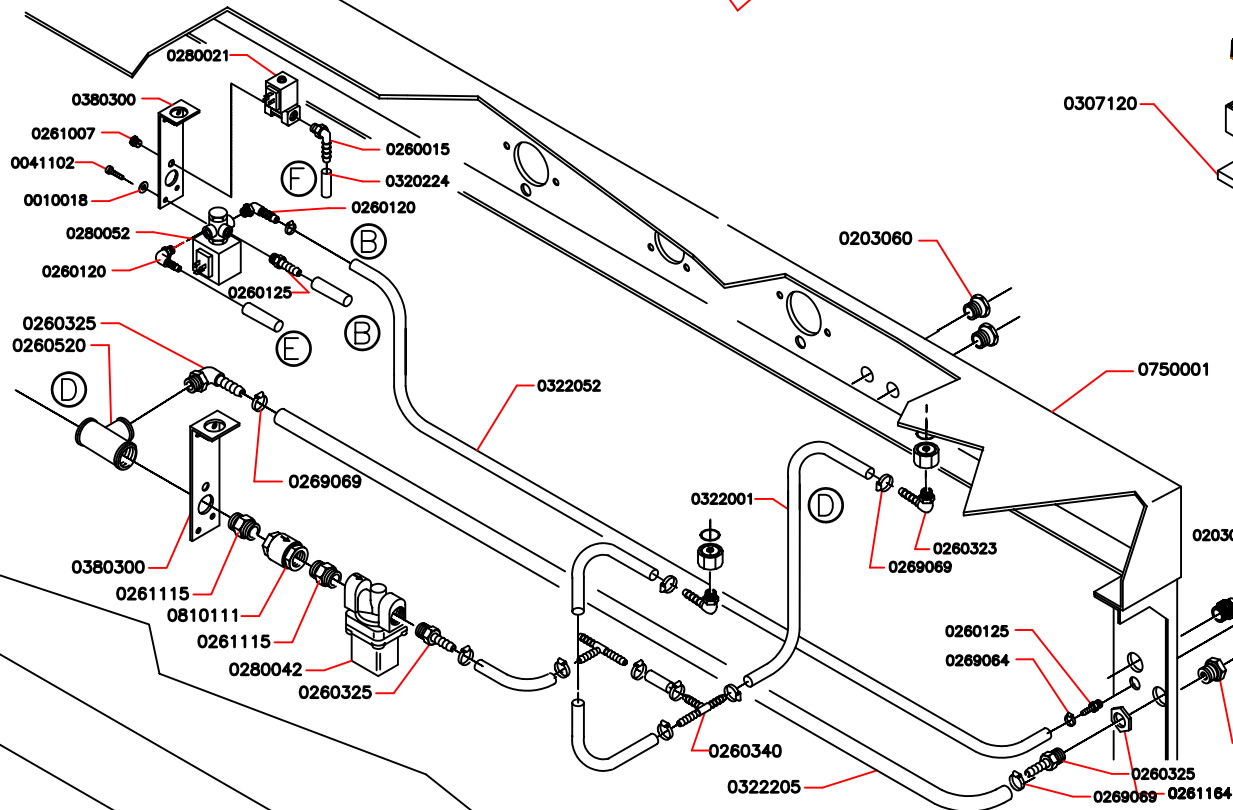
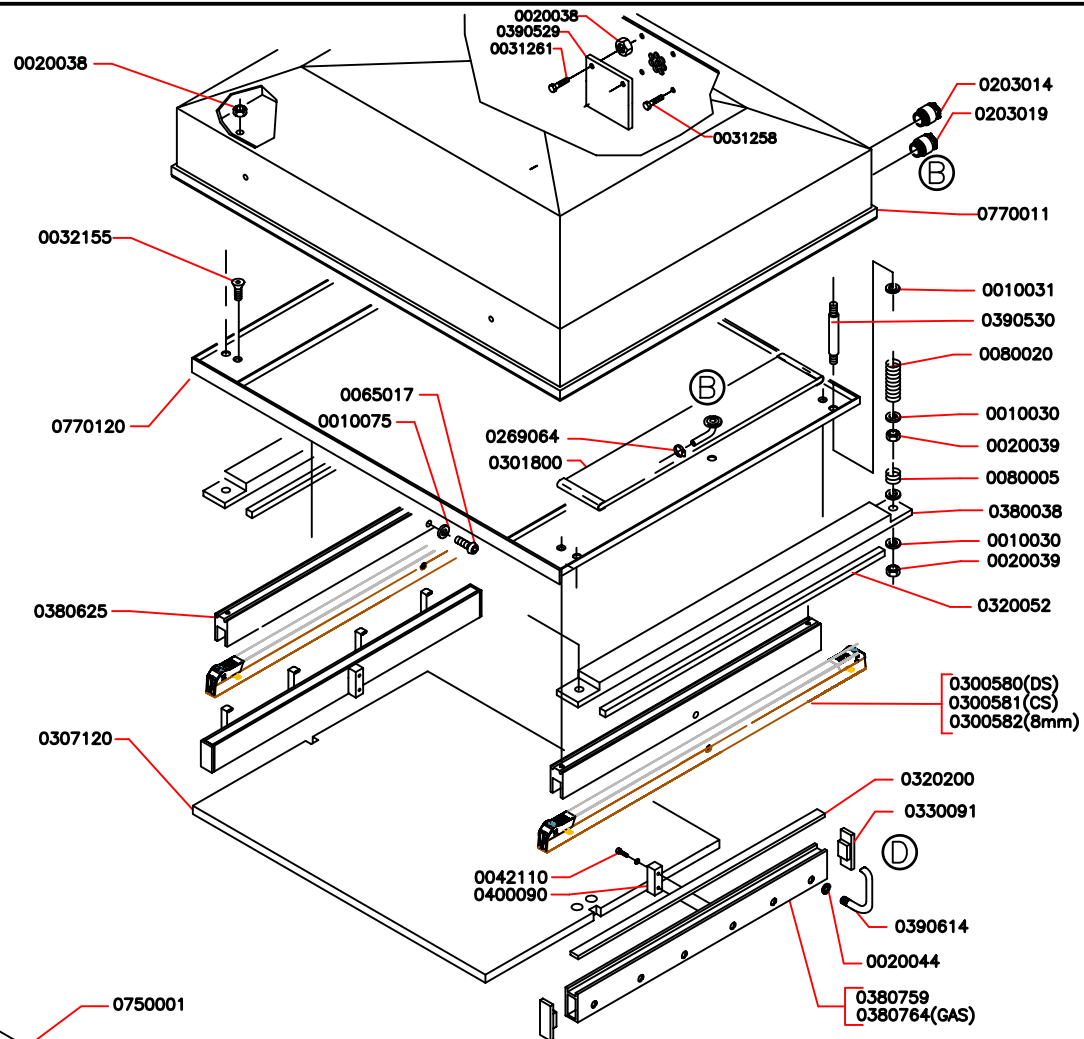
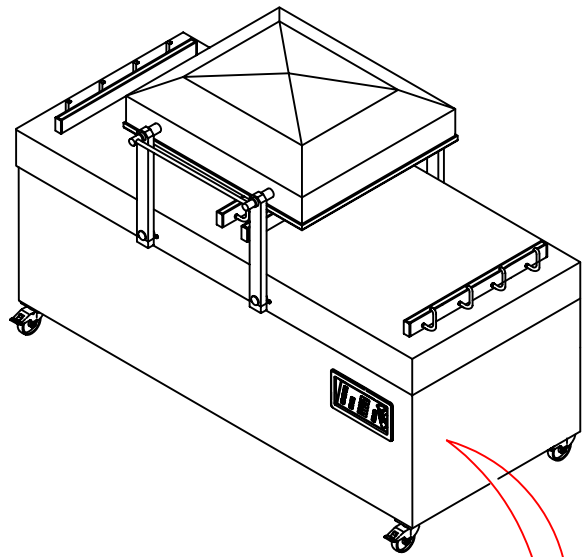


Scale:	Name: Exploded view
Date: June 2007	POLAR 2-95
Drawn by: MD	
HENKELMAN B.V. P.O. box 2117 5202 CC s-Hertogenbosch Tel. ++31(0)73 - 6213671 Fax ++31(0)73 - 6221318 The Netherlands	
A 4	Drawing: Page 2-4
Rev. no: 060 <small>Ontwerp: volledig reserve. Materiaal en afmetingen in mm - getallen in vier decimalen te niet geronde cijfers, behalve anderszins vermeld.</small>	



(CS) = CUT-OFF SEAL  
 (DS) = DOUBLE SEAL  
 (8mm) = 8mm SEAL

Scale:	Name: Exploded view
Date: April 2007	POLAR 2-95 (LL)
Drawn by: MD	
HENKELMAN B.V. P.O. box 2117 5202 CC 's-Hertogenbosch Tel. ++31(0)73 - 6213671 Fax ++31(0)73 - 6221318 The Netherlands	
A 4	Drawing: Page 3-4
Rev. no: 050 <small>Ownership implicitly reserved. Multiplication or dissemination of this drawing by any third party is not permitted without written permission of the owner.</small>	



(CS) = CUT-OFF SEAL  
(DS) = DOUBLE SEAL  
(8mm) = 8mm SEAL

Scale:	Name: Exploded view
Date: Jan 2009	POLAR 2-95 (SS)
Drawn by: MD	
HENKELMAN B.V. P.O. box 2117 5202 CZ 't-Hertogenbosch Tel. ++31(0)73 - 6213671 Fax ++31(0)73 - 6221318 The Netherlands	
A 4	Drawing: Page 4-4
	Rev. no: 020