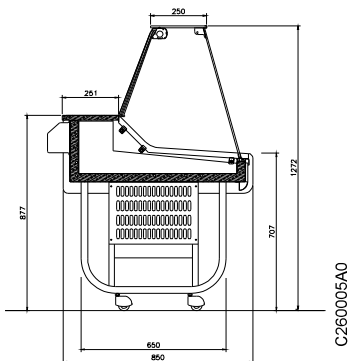


(2) Versão "Self peixe / mariscos"

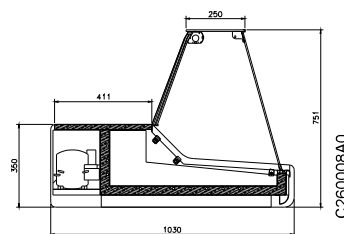
(2) Version "Fish / sea food"



C260005AO

Com base / with base

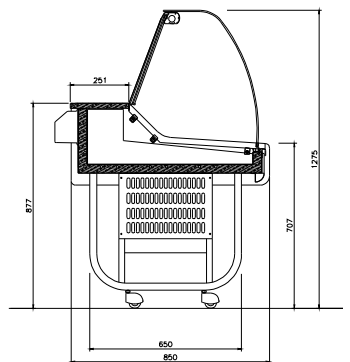
CÓD. Code	DESIGNAÇÃO Designation
926005300	V SELF PEIXE 1050 CB-VPR
926005900	V SELF PEIXE 1300 CB-VPR
926006500	V SELF PEIXE 1510 CB-VPR



C260008AO

Com base / with out base

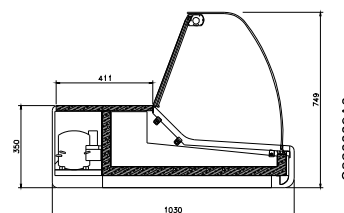
CÓD. Code	DESIGNAÇÃO Designation
926005400	V SELF PEIXE 1050 SB-VPR
926006000	V SELF PEIXE 1300 SB-VPR
926006600	V SELF PEIXE 1510 SB-VPR



C260006AO

Com base / with base

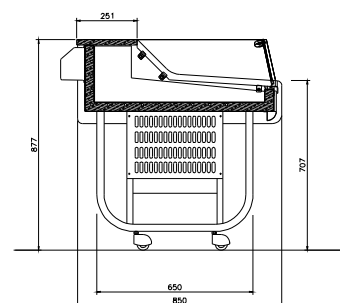
CÓD. Code	DESIGNAÇÃO Designation
926007000	V SELF PEIXE 1050 CB-VCR
926007600	V SELF PEIXE 1300 CB-VCR
926008200	V SELF PEIXE 1510 CB-VCR



C260009AO

Com base / with out base

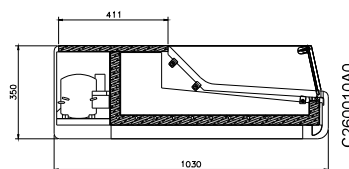
CÓD. Code	DESIGNAÇÃO Designation
926006900	V SELF PEIXE 1050 SB-VCR
926007500	V SELF PEIXE 1300 SB-VCR
926008100	V SELF PEIXE 1510 SB-VCR



C260007AO

Com base / with base

CÓD. Code	DESIGNAÇÃO Designation
926005200	V SELF PEIXE 1050 CB-VBF
926005800	V SELF PEIXE 1300 CB-VBF
926006400	V SELF PEIXE 1510 CB-VBF



C260010AO

Com base / without base

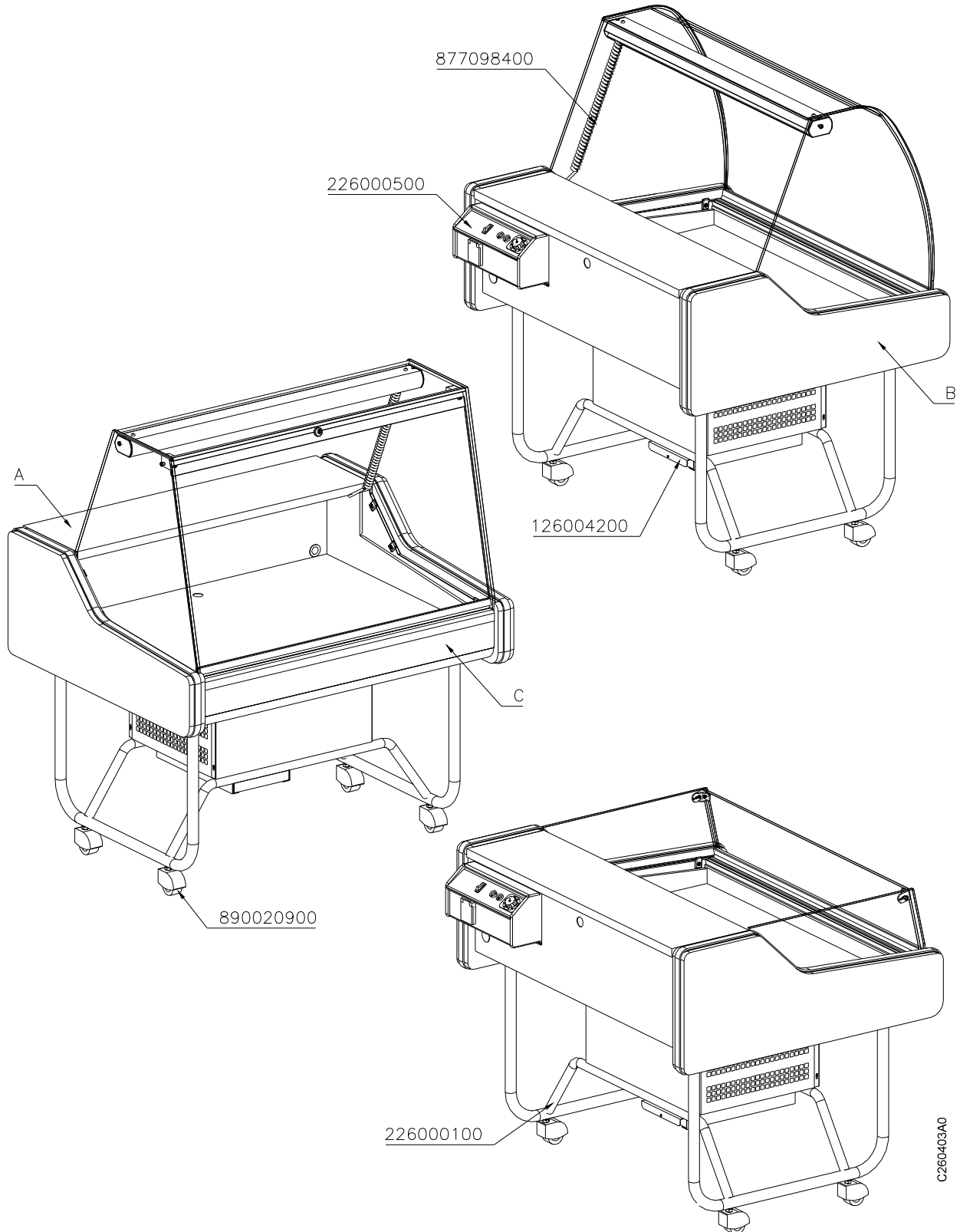
CÓD. Code	DESIGNAÇÃO Designation
926005100	V SELF PEIXE 1050 SB-VBF
926005700	V SELF PEIXE 1300 SB-VBF
926006300	V SELF PEIXE 1510 SB-VBF

Dado o carácter dinâmico dos processos, a Mafrol reserva o direito de alterar o conteúdo deste documento sem aviso prévio. Subject to change without notice.

Dimensões em mm Dimensions in mm Dimensions in mm Abmessungen in

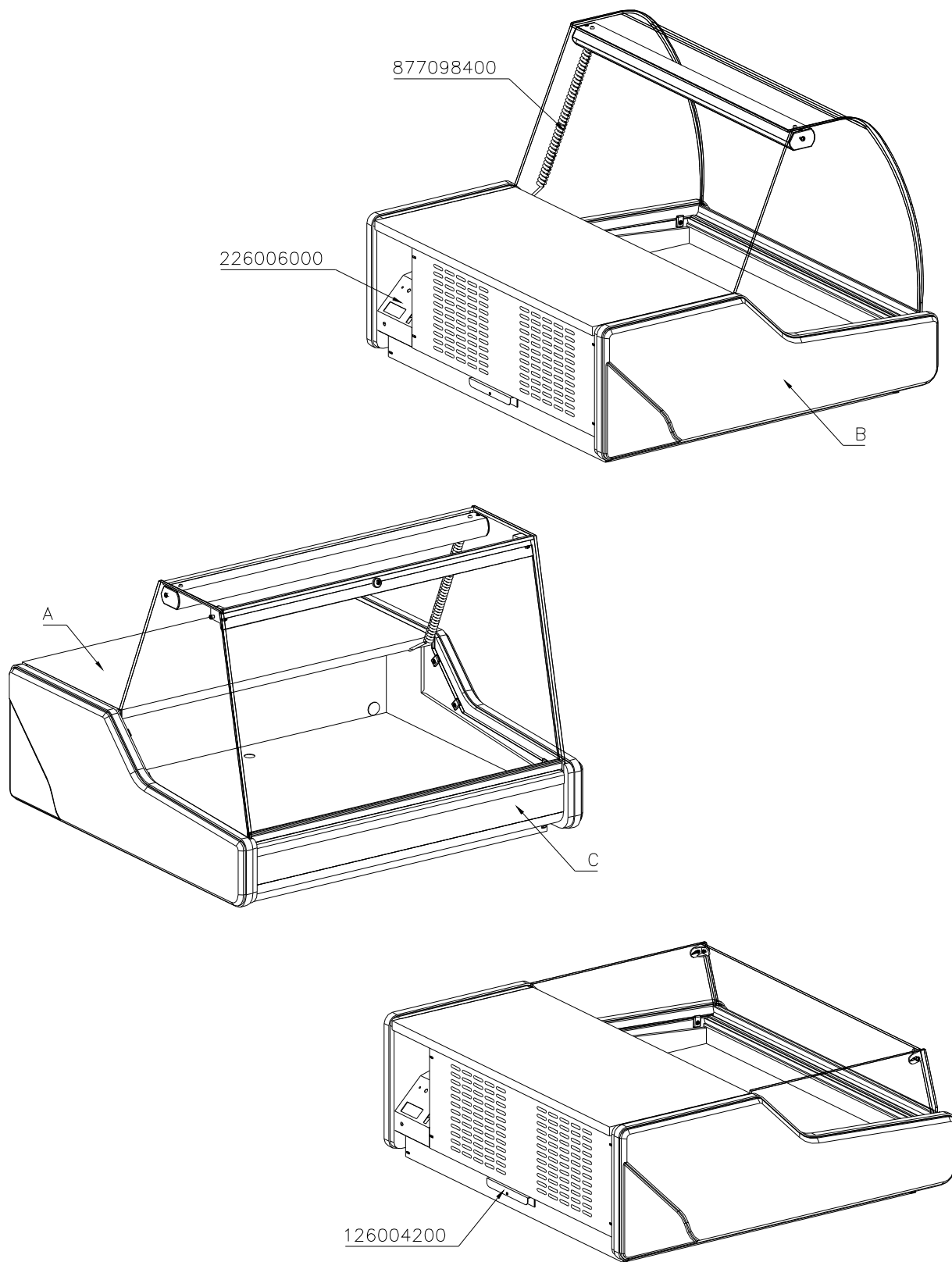
Elements Remplaçables
Austauschbare Teile

Peixe Marisco, Fish / Sea Food, Poissons / Fruits de Mer, Fisch / Meeresfrüchte



Dado o carácter dinâmico dos processos, a MafiroL reserva o direito de alterar o conteúdo deste documento sem aviso prévio. Subject to change without notice.

Dado o carácter dinâmico dos processos, a Mafirof reserva o direito de alterar o conteúdo deste documento sem aviso prévio. Subject to change without notice.



Elementos Substituíveis
Replaceable Items

Self Peixe

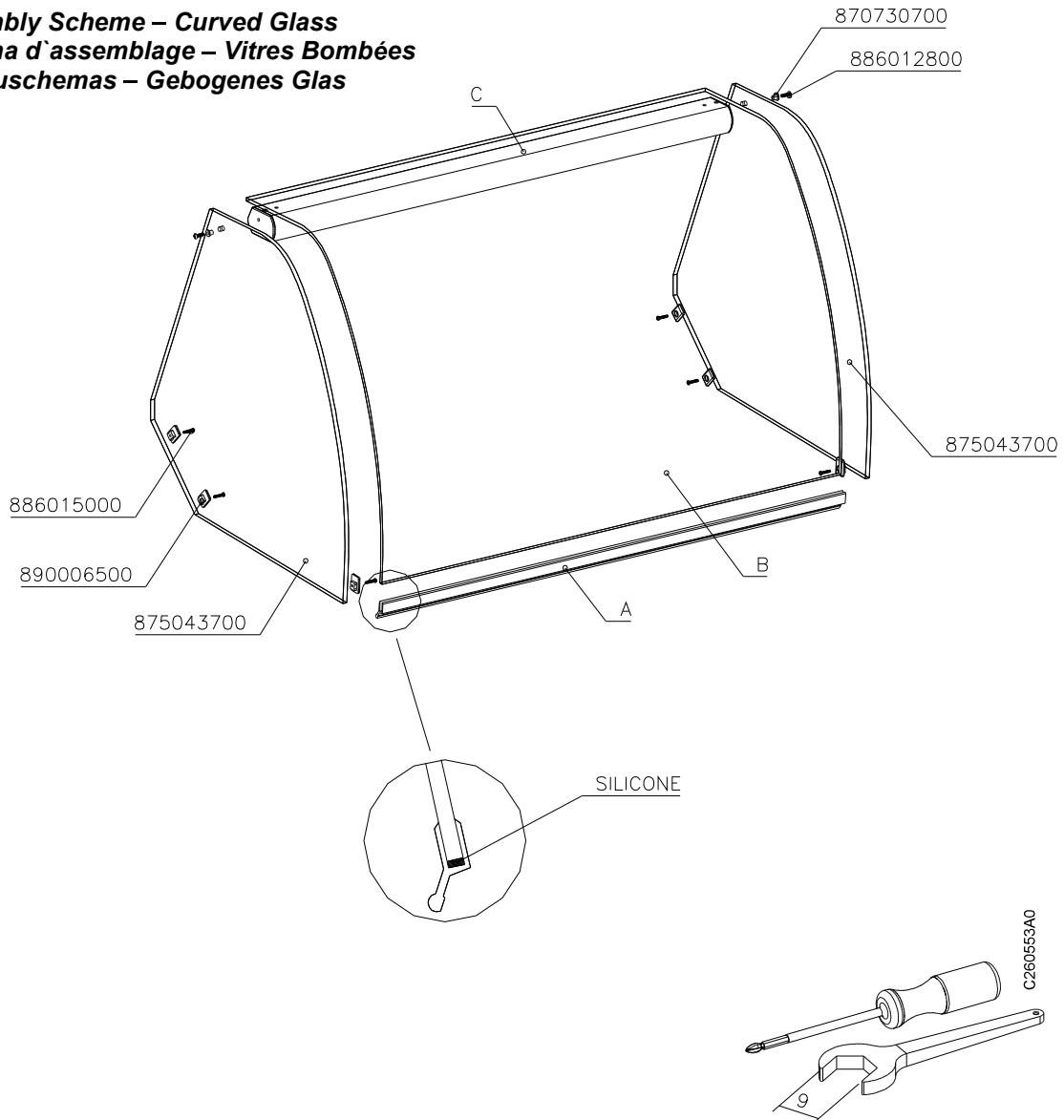
I2IX408A1

Dado o carácter dinâmico dos processos, a Mafrol reserva o direito de alterar o conteúdo deste documento sem aviso prévio. Subject to change without notice.

COD/KODE	DESIGNAÇÃO	DESIGNATION	DENOMINATION	BEZEICHNUNG
875313900 (A)	TAMPO MÁRMORE 960X250X30	MARBLE PLATE	TABLETTE DE SERVICE EN MARBRE	DECKEL NORMAL MARMOR
875312800 (A)	TAMPO MÁRMORE 1210X250X30	MARBLE PLATE	TABLETTE DE SERVICE EN MARBRE	DECKEL NORMAL MARMOR
875318000 (A)	TAMPO MÁRMORE 1420X250X30	MARBLE PLATE	TABLETTE DE SERVICE EN MARBRE	DECKEL NORMAL MARMOR
226003800 (B)	LAT. DIR. CINZA	RIGHT SIDE PANEL	LATERAL DROITE CHASSIS - GRIS	SEITE GRAU LINKS
226003900 (B)	LAT. ESQ. CINZA	LEFT SIDE PANEL	LATERAL GAUCHE CHASSIS - GRIS	SEITE GRAU LINKS
126015500 (C)	VISTA FR. AZUL RAL 5018 960	BLUE FRONT VIEW RAL 5018	VUE FRONTALE BLEU RAL 5018	VORDERANSICHT BLAU RAL 5018
126016500 (C)	VISTA FR. AZUL RAL 5018 1210	BLUE FRONT VIEW RAL 5018	VUE FRONTALE BLEU RAL 5018	VORDERANSICHT BLAU RAL 5018
126017500 (C)	VISTA FR. AZUL RAL 5018 1420	BLUE FRONT VIEW RAL 5018	VUE FRONTALE BLEU RAL 5018	VORDERANSICHT BLAU RAL 5018
226006000	CX COMANDO STD MURETE	STANDARD COMMAND BOX	CAISSE DE COMMANDEMENT STD	BEDIENPULT
126004200	GAV. DE ESGOTO 352X182 CINZA	DRAINAGE DRAWER GREY	TIROIR POUR L'EGOUT GRIS	LADE GRAU FÜR ABLAUF
877098400	EXTENSÃO BRANCA	WHITE EXTENSION FOR LAMP	EXTENSION BLANCHE POUR LUMINAIRE	VERLÄNGERUNGSKABEL WEIß ZUM EINSCHALTEN DE
226005000	CHASSI RODAS GIRATÓRIAS	GYRATORY CASTORS' CHASSI	CHASSIS ROLETTE GIRATOIRE	GESTELL DREHRÄDER
890020900	RODIZIO GIRATÓRIO 34/NN-50(F2)	GYRATORY CASTOR 34/NN-50(F2)	ROULETTE GIRATOIRE 34/NN-50(F2)	DREHBARE GLEITROLLE 34/NN-50(F2)

Peixe Marisco, Fish / Sea Food, Poissons / Fruits de Mer, Fisch / Meeresfrüchte

Assembly Scheme – Curved Glass
Schema d'assemblage – Vitres Bombées
Aufbauschemas – Gebogenes Glas



COD/KODE	DESIGNAÇÃO	DESIGNATION	DENOMINATION	1000	1300	1500
124912800(A)	PERFIL AL AMOVIVEL FR VID 1419	FRONT GLASS MOVABLE ALUM PROF	PROFIL D'ALUMINIUM AMOVIBLE			X
124912900(A)	PERFIL AL AMOVIVEL FR VID 959	FRONT GLASS MOVABLE ALUM PROF	PROFIL D'ALUMINIUM AMOVIBLE	X		
124913000(A)	PERFIL AL AMOVIVEL FR VID 1209	FRONT GLASS MOVABLE ALUM PROF	PROFIL D'ALUMINIUM AMOVIBLE		X	
875040900(B)	FRENTE VIDRO CURVO 958X837X6	FRONT GLASS	VITRE FRONTALE	X		
875041000(B)	FRENTE VIDRO CURVO 1208X837X6	FRONT GLASS	VITRE FRONTALE		X	
875041100(B)	FRENTE VIDRO CURVO 1417X837X6	FRONT GLASS	VITRE FRONTALE			X
226005500(C)	GAMB AL 8702955 NAT 960	ALUMINIUM LAMP SUPORT NAT COL	SUPPORT LUMINAIRE ALUMINIUM NAT	X		
226005600(C)	GAMB AL 8702955 NAT 1210	ALUMINIUM LAMP SUPORT NAT COL	SUPPORT LUMINAIRE ALUMINIUM NAT		X	
226005700(C)	GAMB AL 8702955 NAT 1420	ALUMINIUM LAMP SUPORT NAT COL	SUPPORT LUMINAIRE ALUMINIUM NAT			X
875043700	LAT VIDRO 586X582X8 (1 FURO)	SIDE GLASS	LATERAL EN VERRE	X	X	X
890006500	ENCOSTO PLAST CINZ. PP261	GREY PLASTIC SUPPORT FOR GLASS	APPUI PLASTIQUE GRIS POUR VITRE	X	X	X
886015000	PARAF DIN 7981 3/4X8 INOX A2	STAINLESS STEEL SCREW	VIS DIN INOXYDABLE	X	X	X
870730700	CASQUILHO DE PLAST	PLASTIC BUSH	DOUILLE PLASTIQUE	X	X	X
886012800	PARAF CAB MEN M5X17 INOX A2	STAINLESS STEEL SCREW	VIS DIN INOXYDABLE	X	X	X

Dado o carácter dinâmico dos processos, a Mafrol reserva o direito de alterar o conteúdo deste documento sem aviso prévio. Subject to change without notice.

SELF & SELF_PEIXE

SELF Dessert	1050 CB	1300 CB	1510 CB	1050 SB	1300 SB	1510 SB
1x Compressor	8802180	8802167	8802167	8802180	8802167	8802167
1x Dryer	8804098	8804098	8804098	8804098	8804098	8804098
1x Evaporator	8802541	8802542	8802543	8802541	8802542	8802543
1x Condenser	8802311	8802302	8802302	8802311	8802302	8802302
1x fan of the condenser	8801021	8801021	8801021	8801021	8801021	8801021
1x motor for fan of condensor	8801003	8801003	8801003	8801012	8801012	8801012
1x balastr	8770002	8770003	8770005	8770002	8770003	8770005
1x switch	8770202	8770202	8770202	8770202	8770202	8770202
1x Drain collector	1260042	1260042	1260042	1260042	1260042	1260042
1x Microprocessor	8803105	8803105	8803105	8803105	8803105	8803105

SELF Fish	1050 CB	1300 CB	1510 CB	1050 SB	1300 SB	1510 SB
1x Compressor	8802180	8802167	8802167	8802180	8802167	8802167
1x Dryer	8804098	8804098	8804098	8804098	8804098	8804098
1x Evaporator	Cold plate	Cold plate	Cold plate	Cold plate	Cold plate	Cold plate
1x Condenser	8802311	8802302	8802302	8802311	8802302	8802302
1x fan of the condenser	8801021	8801021	8801021	8801021	8801021	8801021
1x motor for fan of condensor	8801003	8801003	8801003	8801012	8801012	8801012
1x balastr	8770002	8770003	8770005	8770002	8770003	8770005
1x switch	8770202	8770202	8770202	8770202	8770202	8770202
1x Drain collector	1260042	1260042	1260042	1260042	1260042	1260042
1x Microprocessor	8803105	8803105	8803105	8803105	8803105	8803105

CB = With base and castors

SB = Without base and castors