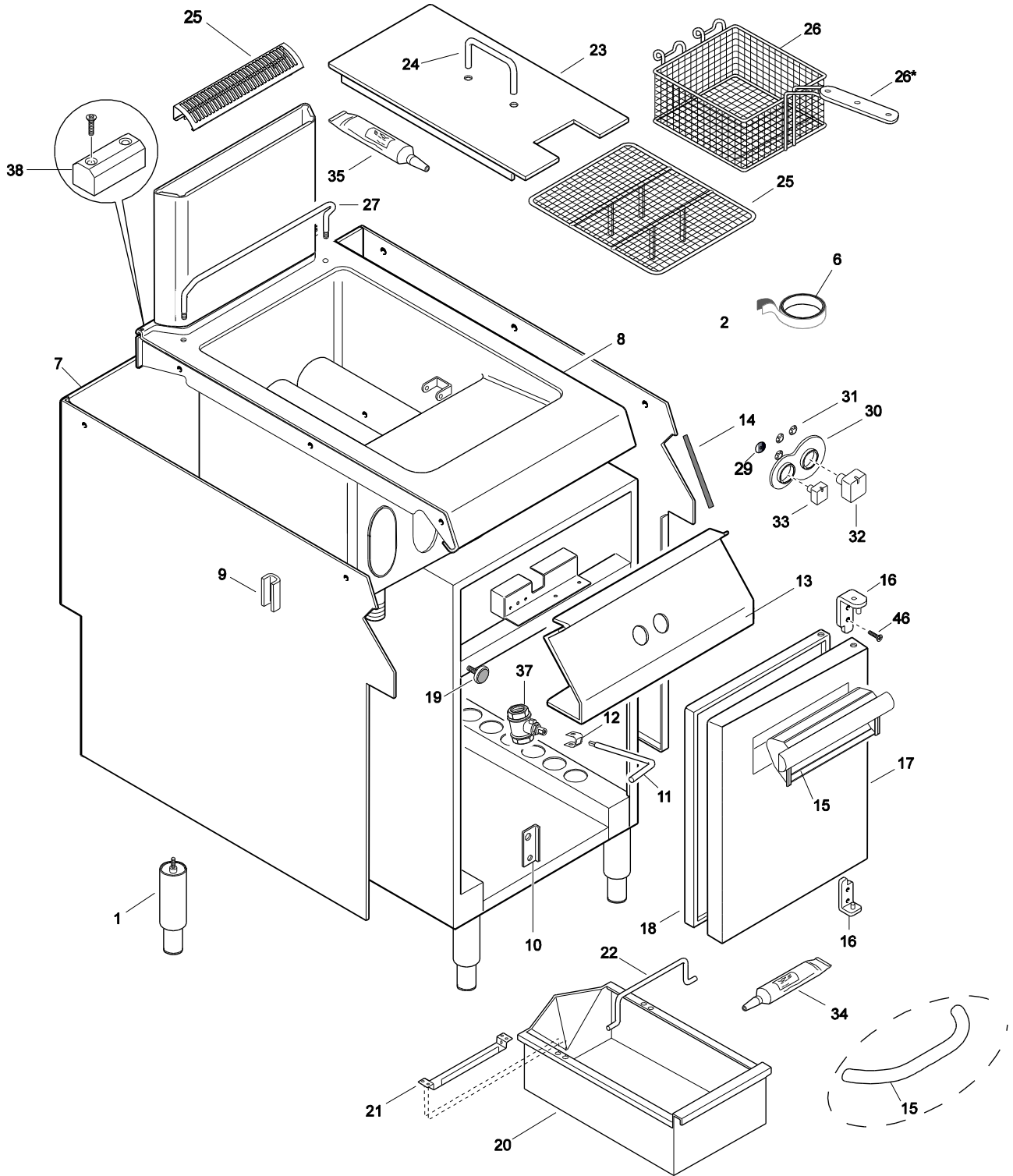


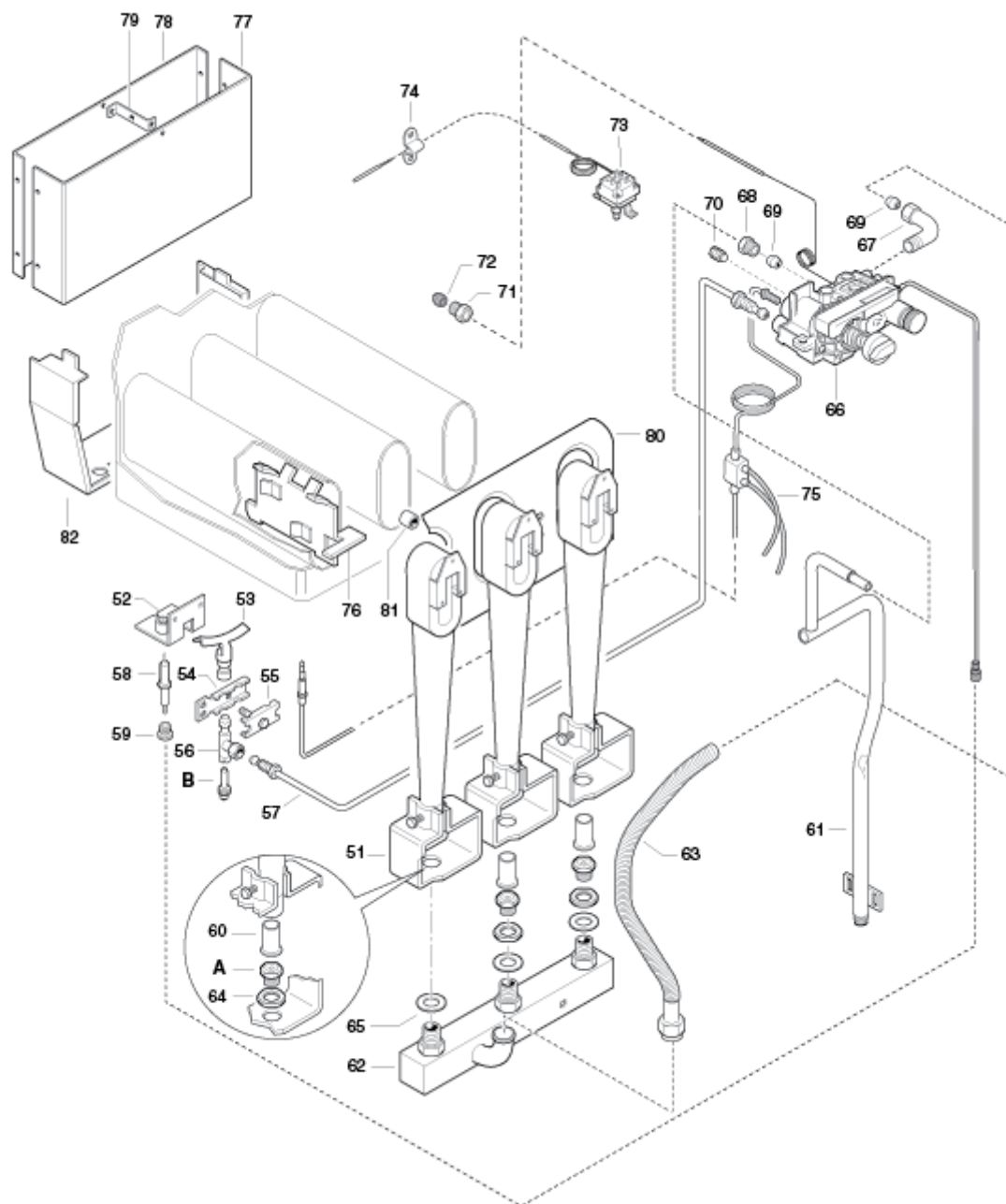
FRIGGITRICE A TUBI GAS E900XP
GAS TUBE FRYER E900XP

PNC	Model	Ref	Brand	Version	Notes
391084	E9FRGD1JFT	A	ELX	1 WELL	2 1/2 BASKETS
393084	A9FRGD1JFT	B	OEM	1 WELL	2 1/2 BASKETS
392084	Z9FRGD1JFT	C	ZAN	1WELL	2 1/2 BASKETS

Pag	Index	Indice	Note
2	General componets	Componenti struttura	
3	Gas components- Nozzles	Componenti Gas - Ugelli	
4,5	Spare parts list	Lista ricambi	

Brand/Marchio: All
Factory code: 9PDX





A - Ugello bruciatore / Burner nozzle

6DGT Code	Ref. / Notes
002393	ø1.30 3+3B/P G30 30mbar
0A2650	ø1.20 3B/P G30 37mbar
059314	ø1.15 3B/P G30 50mbar
0A2102	ø2.00 2H/2E+ G20 20mbar
A05176400	ø1.85 2H G20 25mbar
0A2105	ø2.10 2L G25 25mbar
0A2102	ø2.00 2K G25.3 25mbar
0A2081	ø2.30 2ELL G25 20mbar
0A2083	ø2.20 2S G25.1 25mbar
059040	ø4.80 No CE G110 8mbar

B - Ugello pilota / Pilot nozzle

6DGT Code	Ref. / Notes
058380	n°25 3+3B/P G30 30mbar
058380	n°25 3B/P G30 37mbar
058380	n°25 3B/P G30 50mbar
056656	n°35 2H/2E+ G20 20mbar
056656	n°35 2H G20 25mbar
056656	n°35 2L G25 25mbar
056656	n°35 2K G25.3 25mbar
056656	n°35 2ELL G25 20mbar
056656	n°35 2S G25.1 25mbar
/	adjust No CE G110 8mbar

**FRIGGITRICE A TUBI GAS E900XP
GAS TUBE FRYER E900XP**

<i>Pos</i>	<i>Spare Part Code</i>	<i>Factory Code</i>	<i>Descrizione</i>	<i>Description</i>	<i>Ref./Note</i>
1	0C0204	835856900	PIEDE	FOOT	
6	0C1289	147018072	ADESIVO STRUTTURALE	STRUCTURAL ADHESIVE TAPE	
7	*	85089DY01	FASCIA 400mm	EXTERNAL PANEL 400mm	A
7	*	85089F301	FASCIA 400mm	EXTERNAL PANEL 400mm	B, C
8	0C7492	87089AN00	ASSIEME VASCA TUBI	WORKTOP / TANK TUBE FRYER	A
8	0C7507	87089C800	ASSIEME VASCA TUBI	WORKTOP / TANK TUBE FRYER	B, C
9	0C0156	527850500	PIASTRA FISSAGGIO FIANCHI	SIDE PANEL JOINTING PLATE	
10	*	528845400	SUPPORTO LEVA SCARICO	SUPPORT, HANDLE DRAIN	
11	0C5424	516874600	MANIGLIA PER SCARICO	HANDLE, OIL DRAIN	
12	006877	508897003	GUIDA MANIGLIA	HANDLE, RUNNER	
13	0C7801	85589AG01	CRUSCOTTO	CONTROL PANEL	A
13	0C7519	50389N501	CRUSCOTTO	CONTROL PANEL	B
13	0C7514	87089HX01	CRUSCOTTO	CONTROL PANEL	C
14	0L0113	543821900	GUARNIZIONE CRUSCOTTO	GASKET, CONTROL PANEL	
15	0C7164	51589A700	MANIGLIA	HANDLE	A
15	0A5021	854864203	MANIGLIA	HANDLE	B
15	0C8190	54887A801	MANIGLIA	HANDLE	C
16	0C0138	516860801	CERNIERA INFERIORE	HINGE, LOWER	
17	0C7163	85589CT03	ASS.PORTA COMPLETA	COMPLETE DOOR	A
17	0C7627	85589CV02	ASS.PORTA COMPLETA	COMPLETE DOOR	B
17	0C7165	85589CU04	ASS.PORTA COMPLETA	COMPLETE DOOR	C
18	0C7158	50489CQ00	CONTROPORTA	INNER DOOR	
19	0C0201	830898200	MAGNETE PORTA	MAGNET, DOOR	
20	0C1742	522881600	BACINELLA OLIO	OIL BASIN	
21	0C0612	528822801	SUPPORTO MANIGLIA	SUPPORT, HANDLE BASIN	
22	006131	516849501	MANIGLIA PER BACINELLA	HANDLE, BASIN	
23	0C4849	530826500	COPERCHIO FRIGG. TUBI	LID, FRYER TUBE	
24	0C0614	511819000	MANIGLIA COPERCHIO	HANDLE, LID	
25	0C1743	831818300	GRIGLIA DI FONDO FRIGG. TUBI	BOTTOM GRIDLE, TUBE FRYER	
26	006133	850894500	CESTELLO	BASKET	
26*	0C3723		MANIGLIA PER CESTELLO	ONLY HANDLE	
27	006583	516847800	SUPPORTO CESTELLO	BASKET SUPPORT	
28	0C7161	50489JL00	GRIGLIA CAMINO	CHIMNEY GRID	
29	0C6171	541813800	RONDELLA SILICONE	SILICONE WASHER	
30	0C7802	548877501	GHIERA VALVOLA GAS	KNOB RING, GAS VALVE	A
30	0C7484	548879800	GHIERA VALVOLA GAS	KNOB RING, GAS VALVE	B, C
31	069567	218912211	MOLLETTE PER GHIERA	SPRING, KNOB RING	
32	0C7330	511850D02	MANOPOLA TERMOST. VALVOLA	KNOB, THERMOSTAT GAS VALVE	A
32	0C5252	548872700	MANOPOLA TERMOST. VALVOLA	KNOB, THERMOSTAT GAS VALVE	B
32	0C7179	548877Z01	MANOPOLA TERMOST. VALVOLA	KNOB, THERMOSTAT GAS VALVE	C
33	0C2021	548863303	MANOPOLA ACCENDITORE VALVOLA	KNOB, IGNITION GAS VALVE	A
33	0C0190	548856603	MANOPOLA ACCENDITORE VALVOLA	KNOB, IGNITION GAS VALVE	B
33	0C7181	548878303	MANOPOLA ACCENDITORE VALVOLA	KNOB, IGNITION GAS VALVE	C
34	006083	147098044	ADESIVO SILICONICO PER PORTA	SILICON ADHESIVE, DOOR	
35	006083	147098044	SIGILLANTE SUPPORTO CESTELLO	SEALING, BASKET SUPPORT	
36					
37	0C1744	835854900	VALVOLA SCARICO OLIO	DRAIN VALVE	
38	0C0137	516860702	PIASTRINA GIUNZIONE POSTERIORE	JOINTING REAR PLATE	
51	059297	830864401	BRUCIATORE	BURNER	
52	0C7796	831818200	SUPPORTO PILOTA	SUPPORT, PILOT	
53	059301	830803300	CANNELLO	TUBE, PILOT	
54	052256	206993500	STAFFA PER PILOTA	BRACKET, PILOT	
55	052246	206649700	CONTROSTAFFA PER PILOTA	INNER BRACKET	
56	006725	835854800	PILOTA	PILOT	
57	0C1745	517890300	CONDUTTURA PILOTA	PILOT PIPE	
58	052610	330272401	ELETTRODO DI ACCENSIONE	ELECTRODE	
59	057960	214164101	RACCORDO ELETTRODO	PIPE FITTING, ELECTRODE	

**FRIGGITRICE A TUBI GAS E900XP
GAS TUBE FRYER E900XP**

<i>Pos</i>	<i>Spare Part Code</i>	<i>Factory Code</i>	<i>Descrizione</i>	<i>Description</i>	<i>Ref./Note</i>
60	058302	515885500	BOCCOLA, REGOLAZIONE ARIA	AIR REGULATOR	
61	*	831818000	RIBALTA GAS	INLET GAS PIPE	
62	0C1746	831818100	PORTAUGELLI	NOZZLE HOLDER	
63	0C1747	806839600	CONDUTTURA FLESSIBILE	FLEX. PIPE	
64	020997	214105101	CONTRODADO PORTAUGELLO	NUT, NOZZLE	
65	002077	508826700	RONDELLA PER BRUCIATORE	RING. NOZZLE	
66	0C0624	835859702	VALVOLA GAS	GAS VALVE	
67	0C0631	515863200	RACCORDO A "L"	L PIPE FITTING	
68	051950	514862501	RACCORDO 3/8 PER VALVOLA	3/8" PIPE FITTING	
69	050682	215170716	OGIVA	RING	
70	0C0625	516865800	TAPPO PER VALVOLA GAS	STOPPER, VALVE	
71	059295	514874500	RACCORDO BULBO VALVOLA	PIPE FITTING, BULB GAS VALVE	
72	059293	543815000	GUARNIZIONE OR	OR GASKET	
73	005931	646810102	TERMOSTATO DI SICUREZZA	SAFETY THERMOSTAT	
74	*	527866300	PIASTRINA FISSAGGIO BULBO	PANEEL, FIX BULB	
75	0C3162	831818901	TERMOCOPPIA INTERROTTA	THERMOCOUPLE INTERRUPTED	
76	*	831819301	ASS. DIFFUSORE RADIANTE		
77	*	530824200	PARETE ANTERIORE CAMINO	FRONT PANEL, CHIMNEY	
78	*	530824300	PARETE POSTERIORE CAMINO	REAR PANEL, CHIMNEY	
79	*	527867700	DISTANZIALE CAMINO	SPACER, CHIMNEY	
80	*	530823901	PROTEZIONE FIAMMA	FLAME PROTECTION	
81	*	516874700	DISTANZIALE PROTEZINONE FIAMMA	SPACER, FLAME PROTECTION	
82	*	530824103	CAMERA DI COMBUSTIONE	COMBUSTION CHAMBER	