

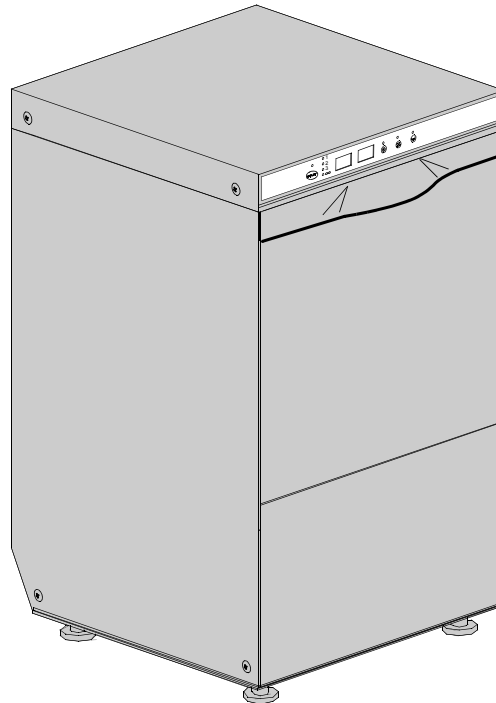
DISHWASHER

ELECTRONICAL SWITCHES
LOWER AND UPPER WASHING

TYPE: 29ELKC

Accessories
BREAK TANK
BOOSTER PUMP
DVGW
DETERGENT DISPENSER
DRAIN PUMP

Spare parts manual



1. Spare parts

General body parts.....	7
Lockup system	9
Electric control components.....	11
Electric control ELEKTRO.....	13
Solenoid valve group	15
Break Tank	17
Booster pump.....	19
DVGW	21
Rinse aid dispenser group.....	23
Boiler group	25
3 ways connection	27
Wash pump	29
Dosing detergent group.....	31
Drain pump group.....	33
Pressure switch group with air trap ...	35
Turret group with rotating arms	37

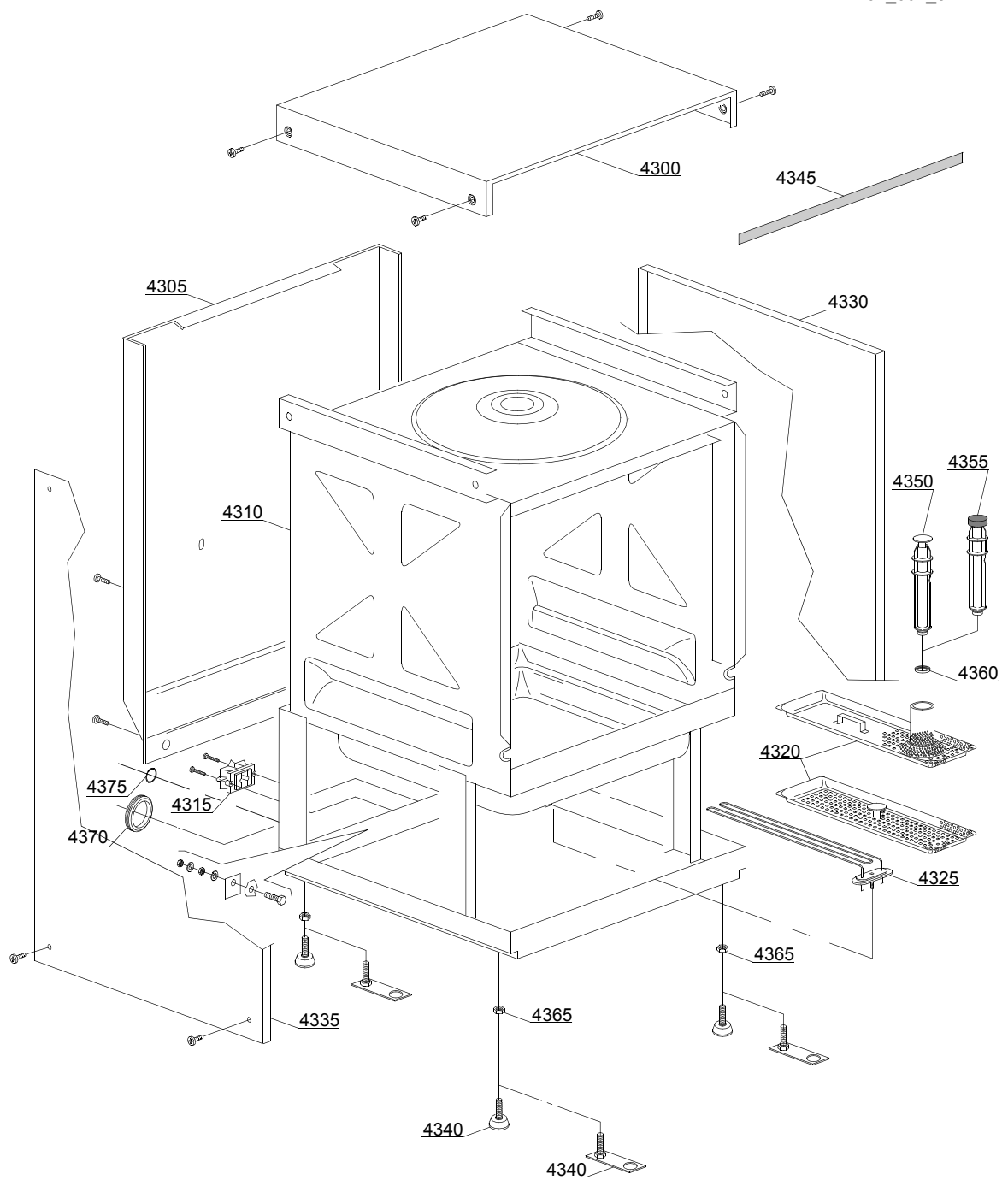
1.1 Voltage codes

Voltage code	Voltage
A	3/N/PE~400/230V 50Hz
B	~250V 16A 50Hz
C	3/N/PE~380/220V 50Hz
D	3/PE~200V 50-60Hz
F	2/PE 220-240V 50Hz
G	3/N/PE~415/240V 50Hz
H	3/PE~230V 50Hz
I	3/PE~220V 60Hz
J	3/PE~380 50Hz
K	3/PE~400V 50Hz
L	3/PE~415V 50Hz
M	3/PE~440V 60Hz
N	3/PE~460V 60Hz
O	3/PE~480V 60Hz
P	1/N/PE~220-240V 50Hz
R	2/PE~220-230V 60Hz
S	3/N/PE~400/230V 50Hz
T	3/PE~230V 60Hz

1.2 Product codes

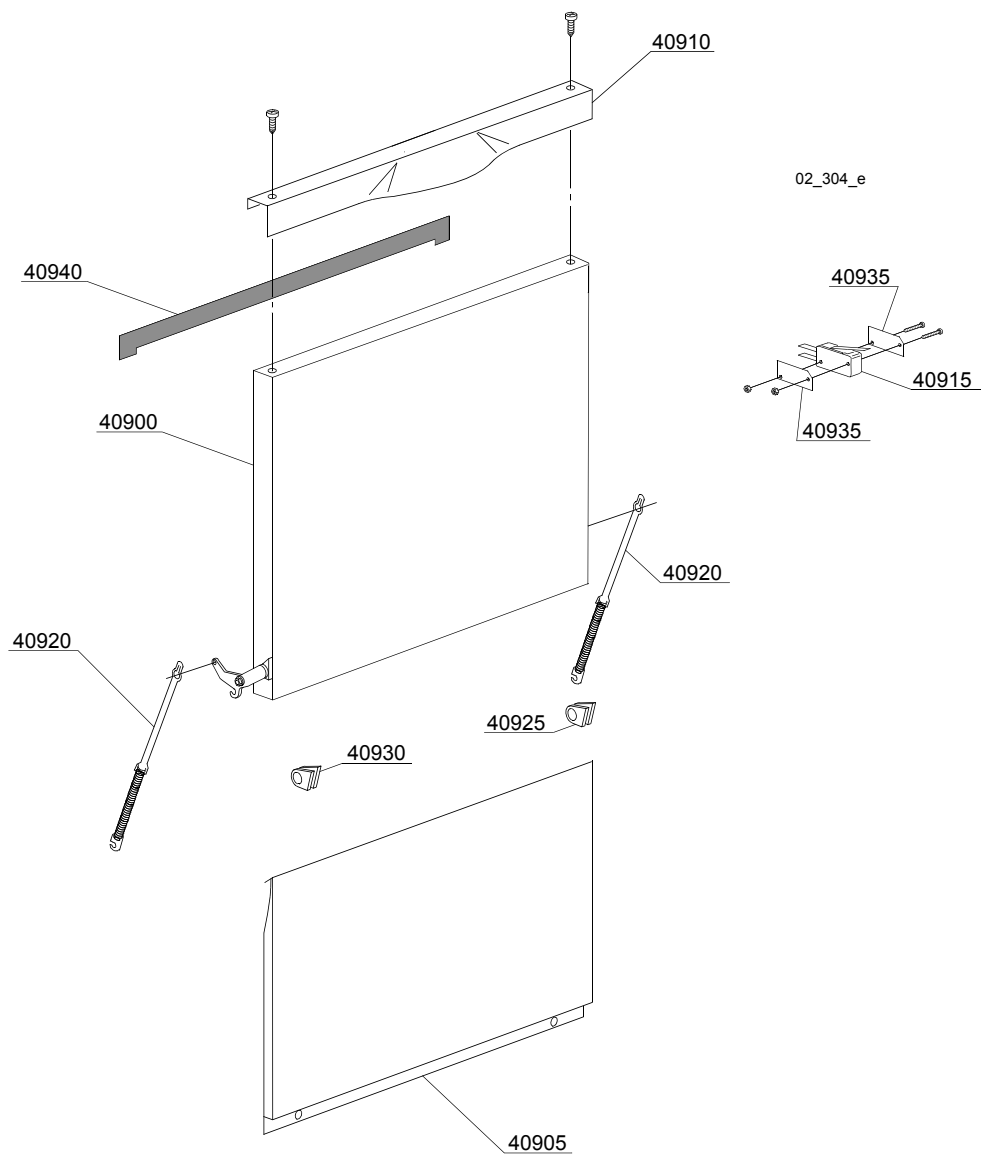
Product code	Full name
Model codes	
ec	ELECTRONICAL SWITCHES
ls	LOWER AND UPPER WASHING
Type codes	
29ELKC	29ELKC
Accessory codes	
bt	BREAK TANK
pap	BOOSTER PUMP
dvgw	DVGW
dde	DETERGENT DISPENSER
ps	DRAIN PUMP

01_002_e



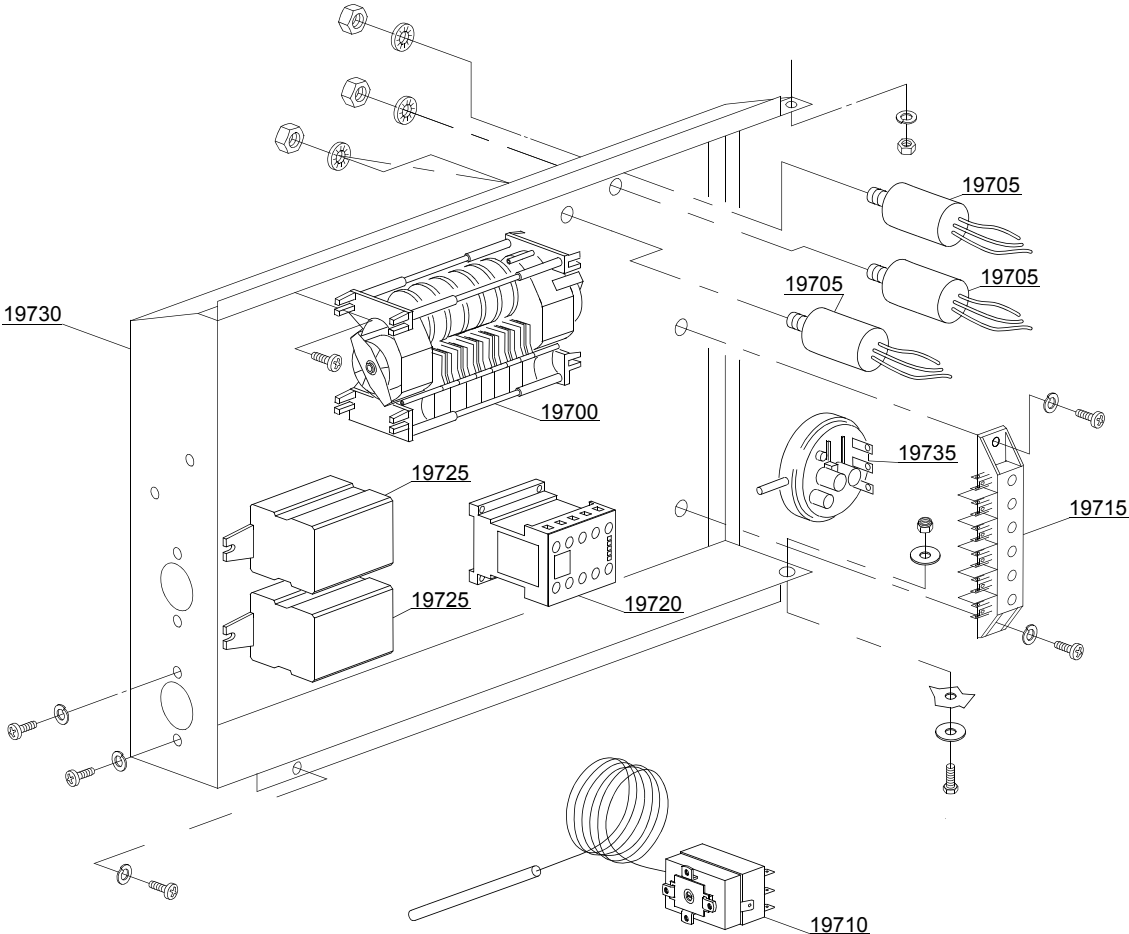
Spare parts

ID	P-code	Model	Type	Accessory	Voltage	Description
MODULE:General body parts						
4300	560917		29ELKC			Cover
4305	560919		29ELKC			Back panel
4305	560938		29ELKC	bt		Back panel
4310	561000		29ELKC			Body
4320	561009		29ELKC			Surface filter
4325	540406		29ELKC			0,4/0,44KW 230/240V heating element
4330	560914		29ELKC			Right side
4335	560915		29ELKC			Left side
4340	10786		29ELKC			M10x25 Ø40 black foot
4340	15176		29ELKC			M10 marina foot
4345	560021		29ELKC			Profile for door O-ring
4365	11711		29ELKC			M10 zinc plated nut



Spare parts

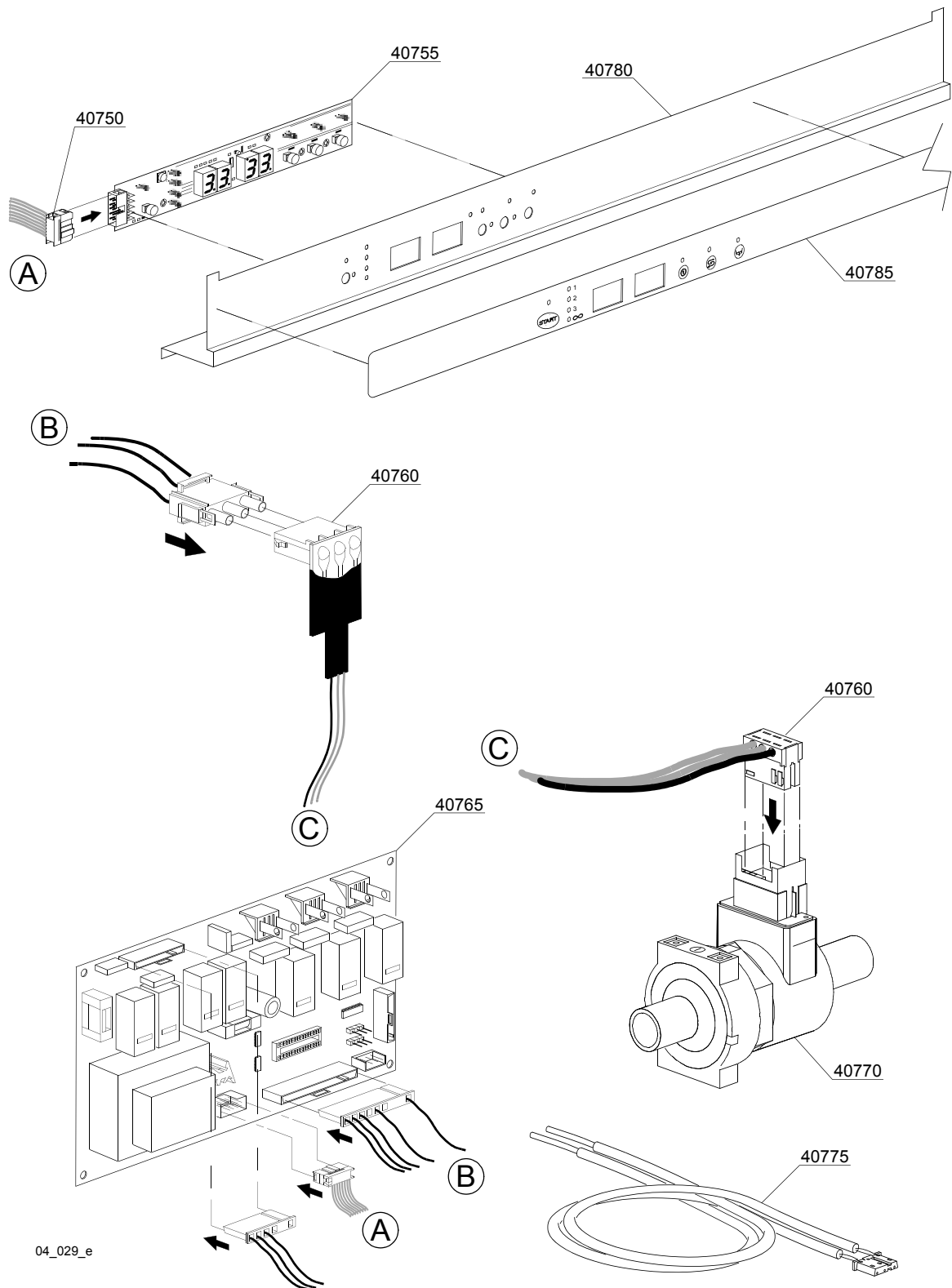
ID	P-code	Model	Type	Accessory	Voltage	Description
MODULE:Lockup system						
40900	560963		29ELKC			ELEKTRON 500 Door with steel handle
40905	560920		29ELKC			ELEKTRON 500 Lower door
40910	560959		29ELKC			Stainless steel handle
40915	10704		29ELKC			Door microswitch
40920	560003		29ELKC			Door spring
40925	560006		29ELKC			Right lock for door hinge
40930	560007		29ELKC			Left lock for door hinge
40935	10770		29ELKC			Insulation for door microswitch
40940	560021		29ELKC			ELK 500 Profile for door O-ring



04_019_e

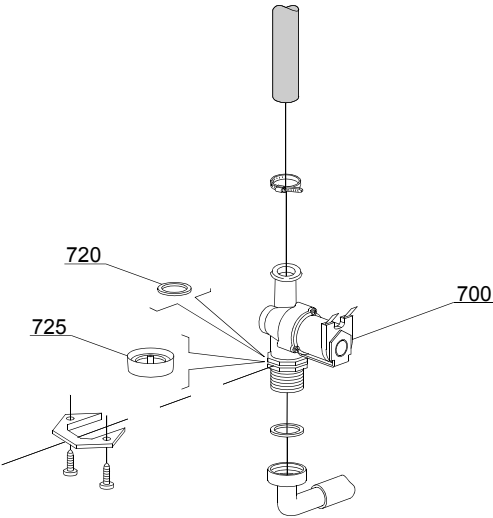
Spare parts

ID	P-code	Model	Type	Accessory	Voltage	Description
MODULE:Electric control components						
19700	10300125		29ELKC			150" timer
19705	15149		29ELKC			Low noise filter
19710	10707/1		29ELKC			0-90°C thermostat
19715	500551		29ELKC			6 poles terminal board
19720	15086		29ELKC			Contactora 230V 50/60Hz 4C
19720	15086/B		29ELKC			Contactora 240V 50Hz
19725	15620		29ELKC			Bipolar relay in deviation
19730	560921		29ELKC			Electric components panel
19735	10706/A		29ELKC			47-27 pressure switch
19735	80225		29ELKC			34-100 pressure switch



Spare parts

ID	P-code	Model	Type	Accessory	Voltage	en
MODULE:Electric control ELEKTRO						
40750	50582		29ELKC			"Elite"plug
40755	50581		29ELKC			Touche sensitive "Elite"
40760	50584		29ELKC			"Elite"water flow board
40765	50580		29ELKC			"Elite"electronic timer+main board
40770	50583		29ELKC			Water flow meter for "Elite"board
40775	50562		29ELKC			Temperature probe set
40780	560964		29ELKC			ELEKTRON 500 Control Panel
40785	560042		29ELKC			Silkscreen processed grill

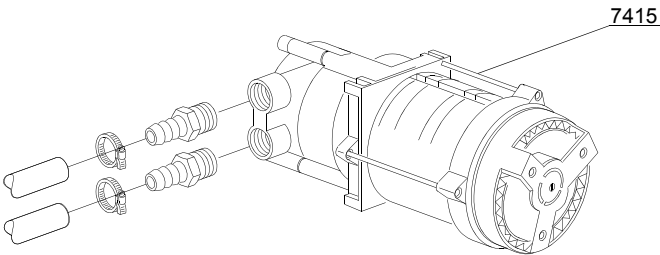
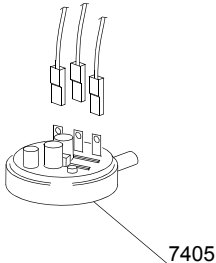
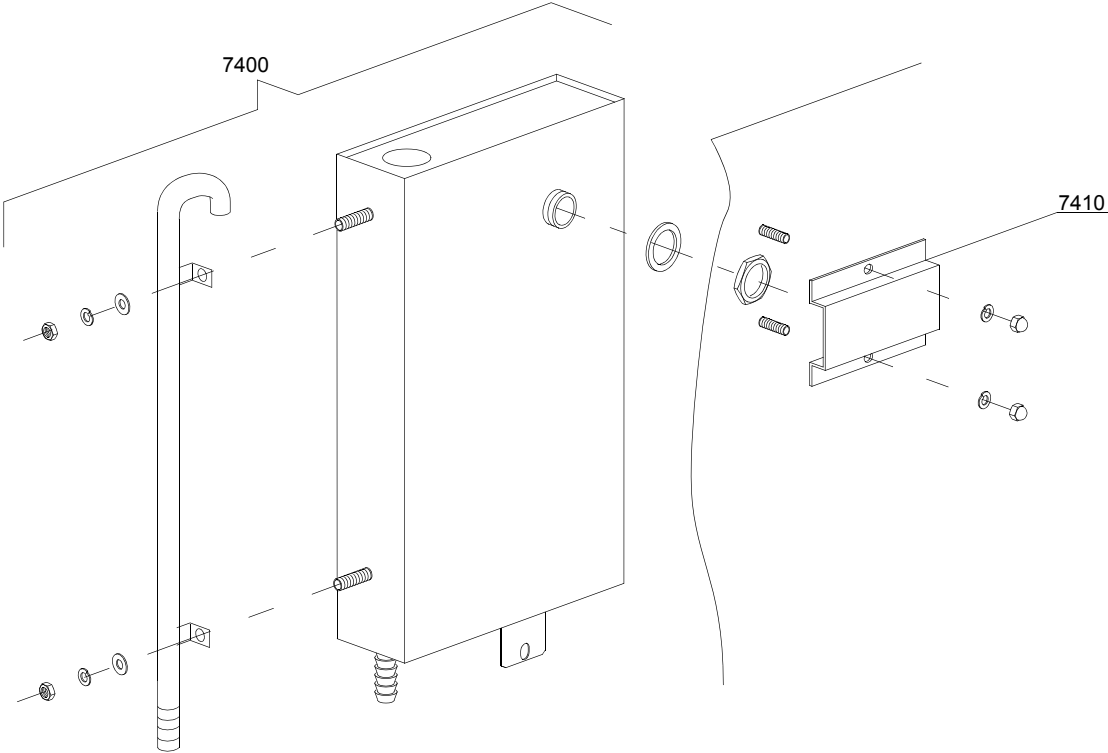


05_002_e

Spare parts

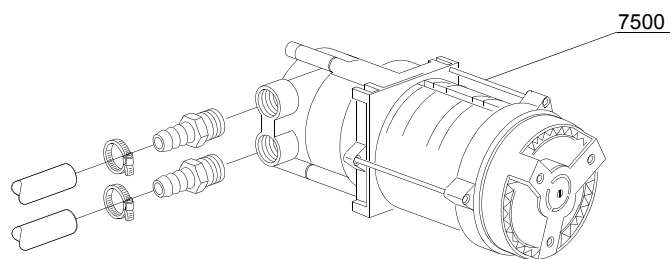
ID	P-code	Model	Type	Accessory	Voltage	Description
MODULE: Solenoid valve group						
700	10703		29ELKC			Single solenoid valve
720	N.C.		29ELKC			Pression reducing valve

06_002_e



Spare parts

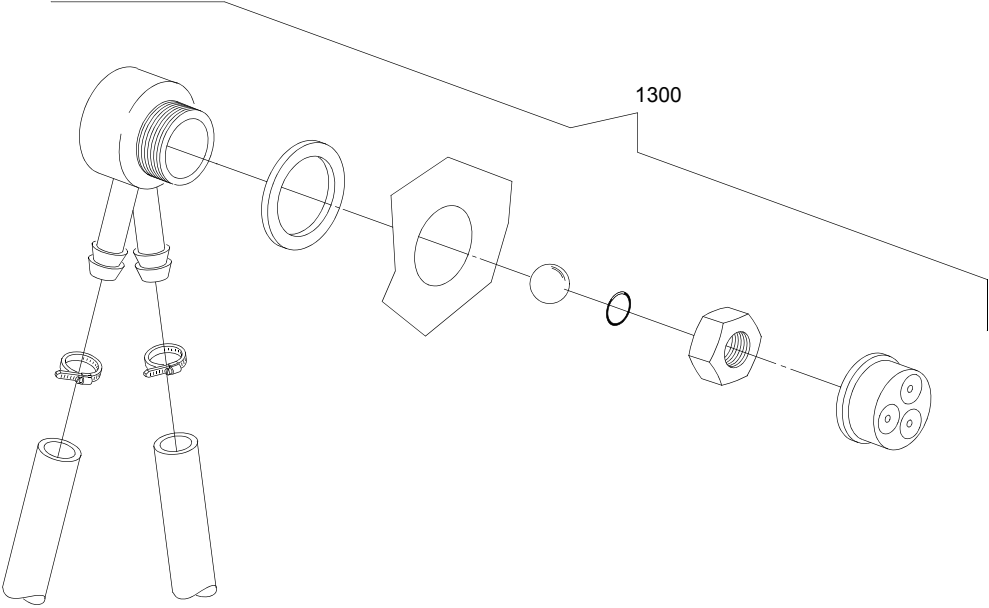
ID	P-code	Model	Type	Accessory	Voltage	Description
MODULE:Break Tank						
7400	15735		29ELKC	bt		Break tank assembly
7405	10706/A		29ELKC	bt		47-27 pressure switch
7410	15738		29ELKC	bt		Overflow cover
7415	15100/D		29ELKC	bt		Booster pump 220-240/50



07_003_e

Spare parts

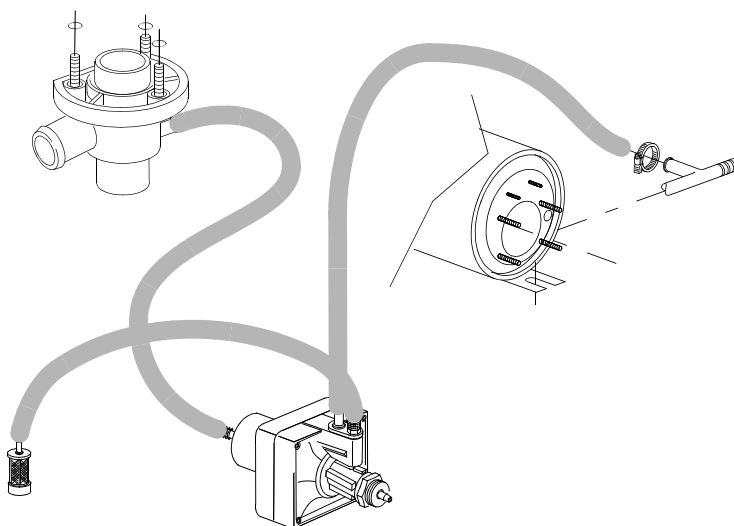
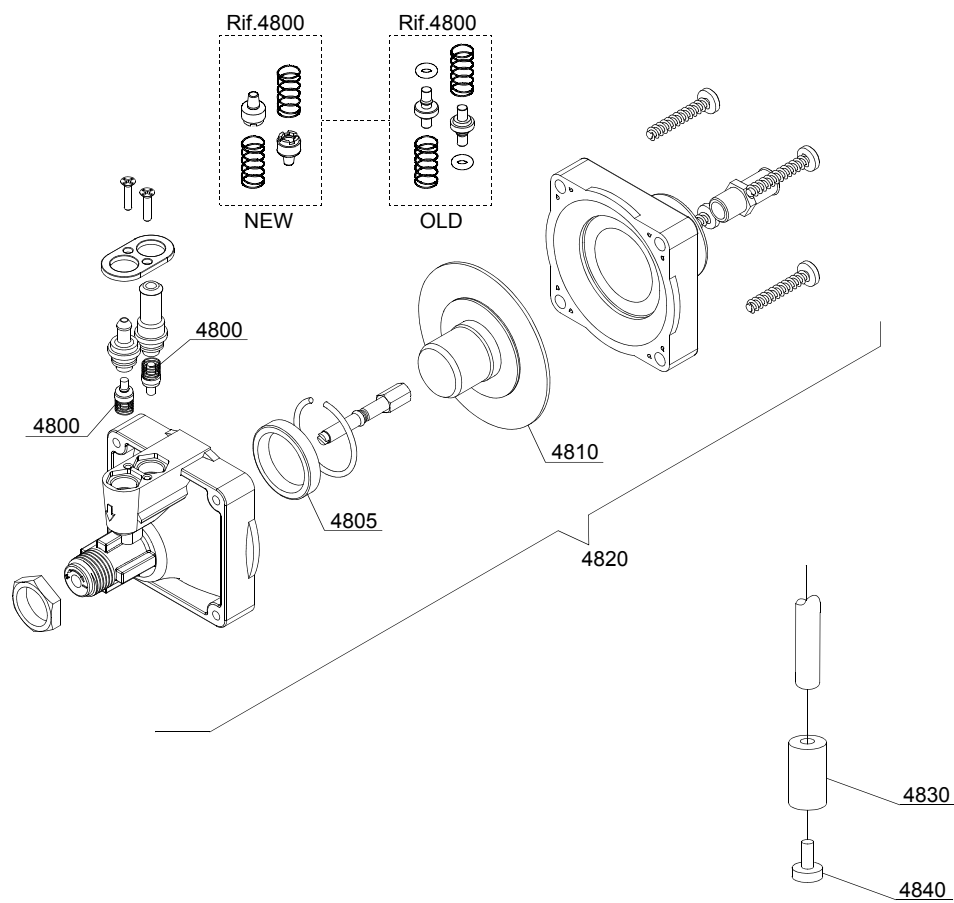
ID	P-code	Model	Type	Accessory	Voltage	Description
MODULE:Booster pump						
7500	15100/D		29ELKC	bp		Booster pump 220-240/50



08_005_e

Spare parts

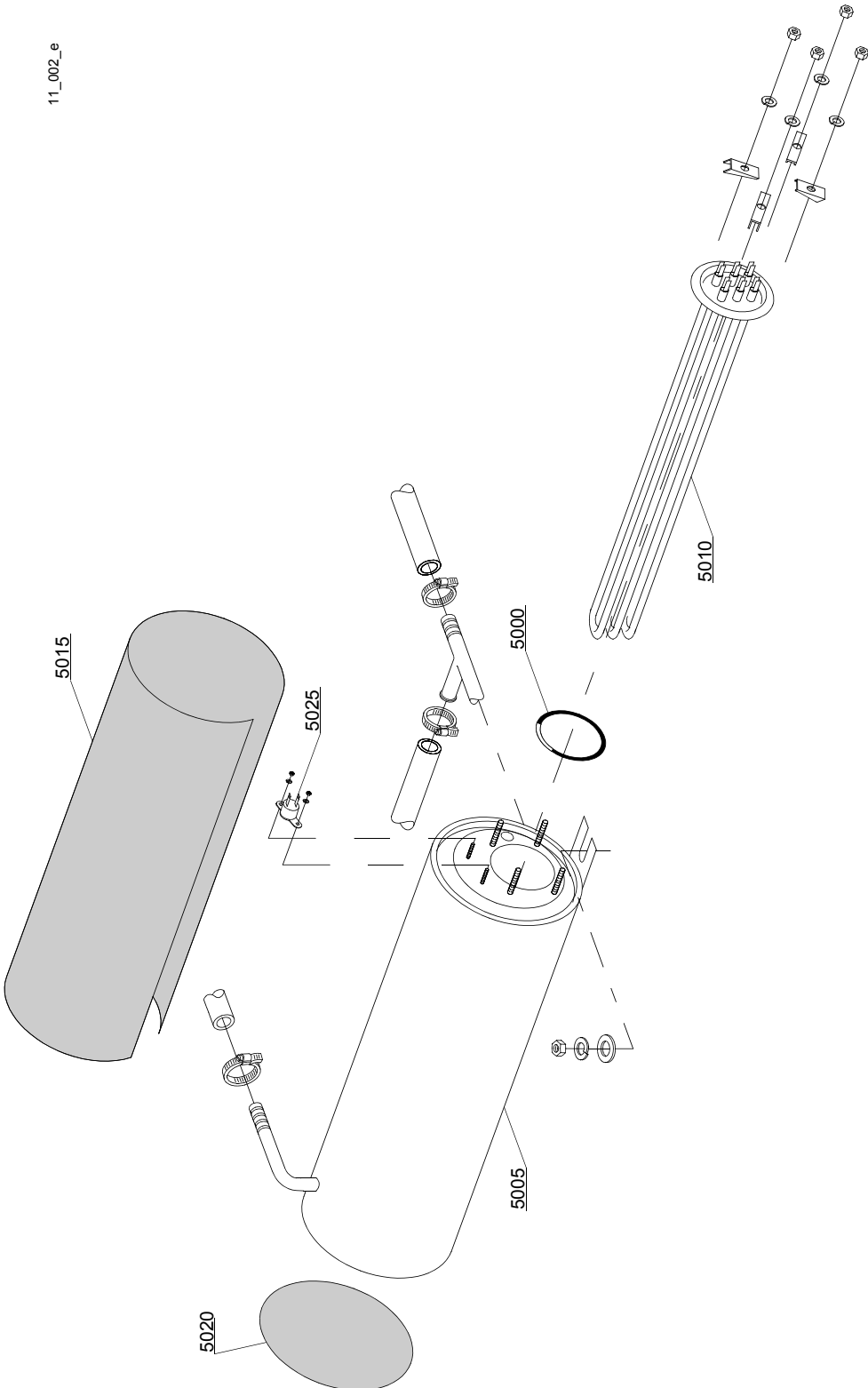
ID	P-code	Model	Type	Accessory	Voltage	Description
MODULE:DVGW						
1300	999900006		29ELKC	dvgw		DVGW assembly



10_004_e

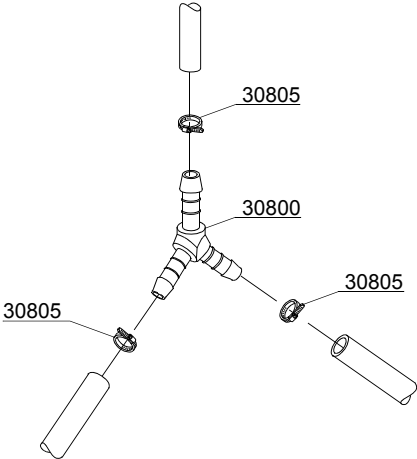
Spare parts

ID	P-code	Model	Type	Accessory	Voltage	Description
MODULE: Rinse aid dispenser group						
4800	10805		29ELKC			Tecnopro non return valve
4805	10806		29ELKC			Ø22 O-ring
4810	10807		29ELKC			Membrane
4820	10799		29ELKC			Rinse aid dispenser
4830	12525		29ELKC			Counter-weight
4840	15058		29ELKC			Small filter



Spare parts

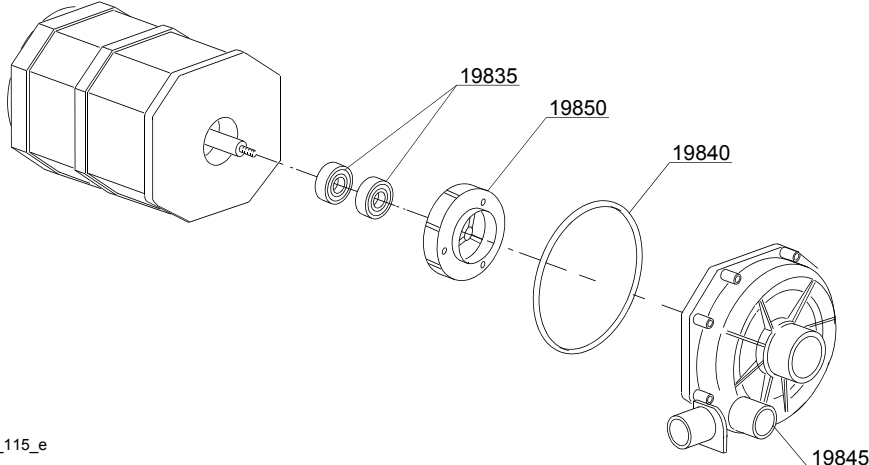
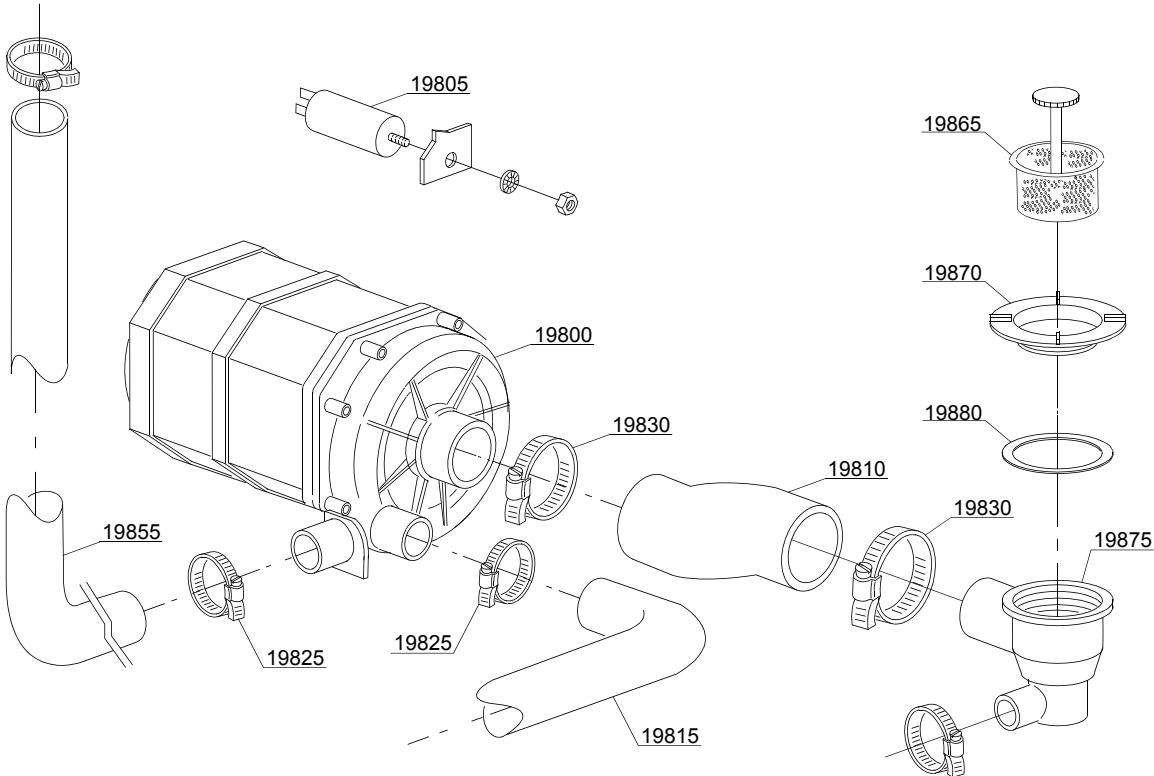
ID	P-code	Model	Type	Accessory	Voltage	Description
MODULE:Boiler group						
5000	13005		29ELKC			OR 151 NBR O-ring
5005	150905		29ELKC			Boiler
5010	15089		29ELKC			4,5/4,9KW 230/240/3 heating element
5010	15089/E		29ELKC			6/6,53KW - 230/240/3 heating element
5015	15066		29ELKC			Insulation boiler
5020	15205		29ELKC			Ø160 end piece
5025	15550		29ELKC			Safety thermostat



12_003ae

Spare parts

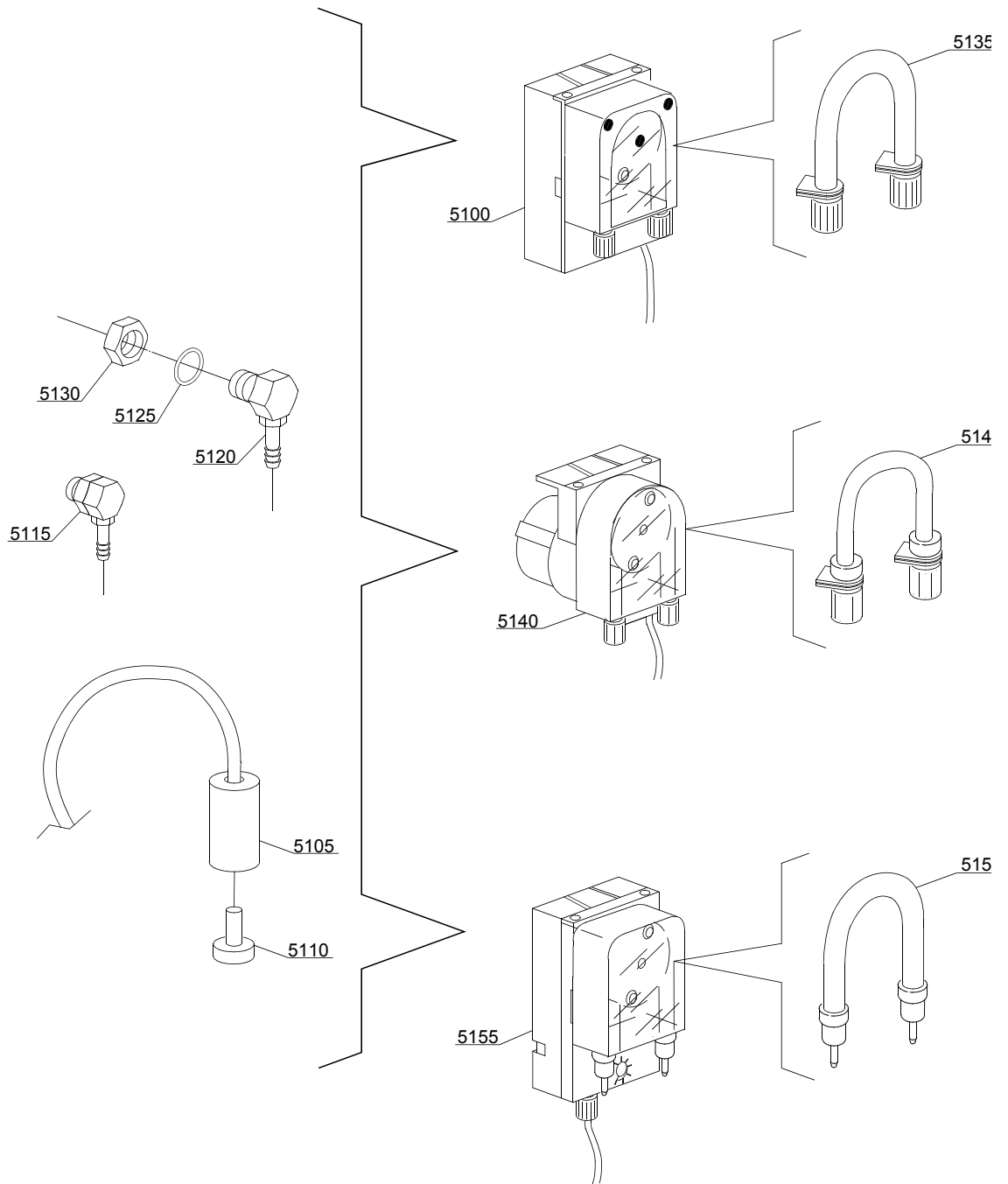
ID	P-code	Model	Type	Accessory	Voltage	Description
MODULE:3 ways connection						
30800	540091		29ELKC			Ø12 mm plastic 3 ways connection
30805	11807		29ELKC			12/22 clamp



13_115_e

Spare parts

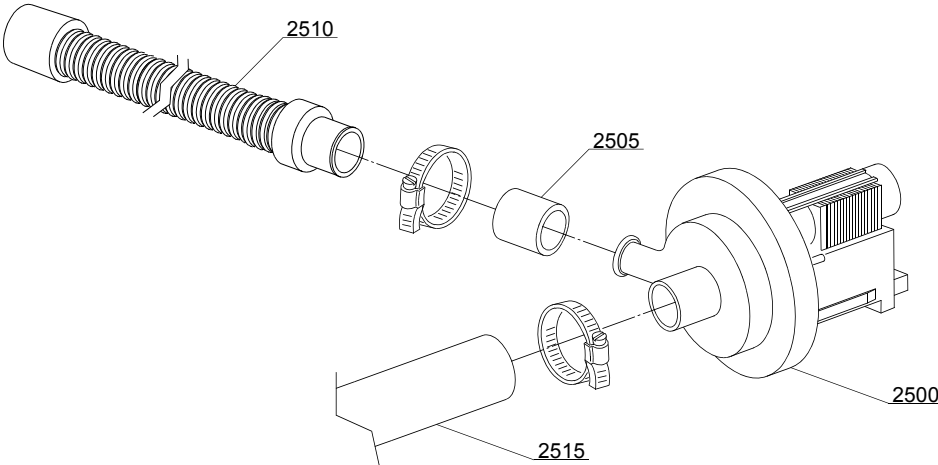
ID	P-code	Model	Type	Accessory	Voltage	Description
MODULE:Wash pump						
19800	150914		29ELKC			0,70Hp wash pump
19805	15081		29ELKC			12,5 uF condenser
19810	25032/A		29ELKC			Suction pipe coupling
19815	561017		29ELKC			Low delivery pipe
19825	11806		29ELKC			25/40 clamp
19830	11809		29ELKC			30/45 clamp
19835	15080		29ELKC			Rotating seals
19840	7130		29ELKC			OR pump O-ring
19845	16182		29ELKC			Scroll
19850	15079/F		29ELKC			Pump rotor
19855	561016		29ELKC			Top delivery pipe EPDM
19865	561013		29ELKC			Pump suction filter
19870	500615		29ELKC			Ferrule with filter
19875	500606		29ELKC			Right side scrap tray
19880	80208		29ELKC			95x75x3 O-ring



14_004_e

Spare parts

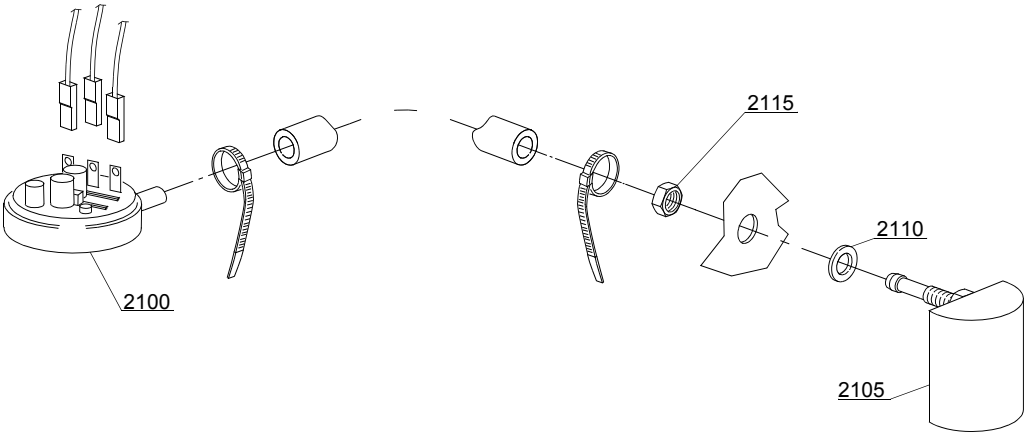
ID	P-code	Model	Type	Accessory	Voltage	Description
MODULE:Dosing detergent group						
5100	15985		29ELKC	dd		Seko detergent pump
5105	12525		29ELKC	dd		Counter-weight
5110	15058		29ELKC	dd		Small filter
5115	15123		29ELKC	dd		Compleat plastic injector
5120	15148		29ELKC	dd		Steel injector
5125	15159		29ELKC	dd		OR O-ring
5130	10200205		29ELKC	dd		M12x1 stainless steel nut
5135	15185		29ELKC	dd		Ø 10 Seko thermoplastic pipe
5140	15985		29ELKC	dd		Germac detergent pump
5145	15108/E		29ELKC	dd		Ø 8 Germac thermoplastic pipe
5150	15985/A		29ELKC	dd		Ø 10 PLAS CONT thermoplastic pipe
5155	15985		29ELKC	dd		PLAS CONT detergent pipe



15_004_e

Spare parts

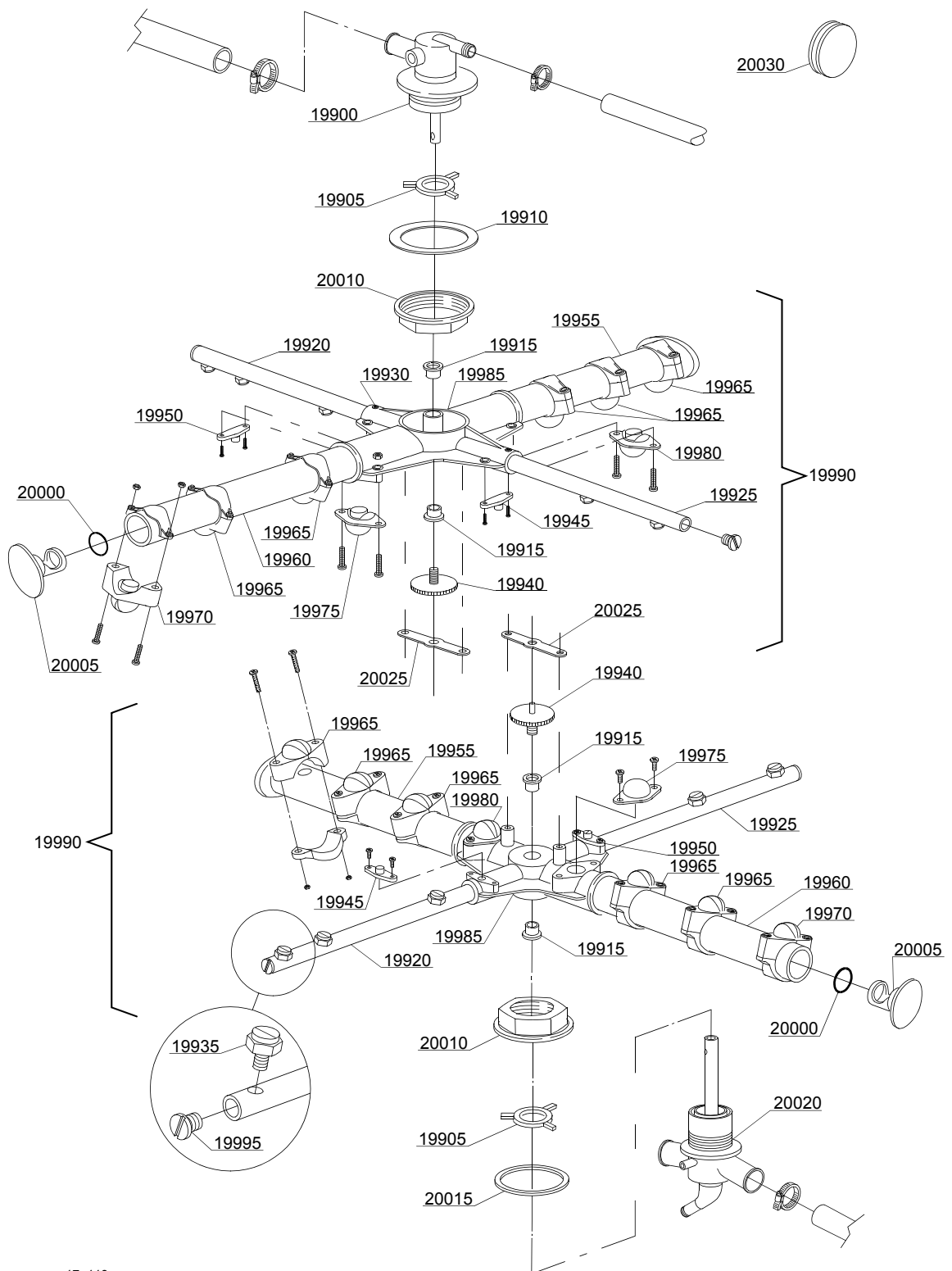
ID	P-code	Model	Type	Accessory	Voltage	Description
MODULE:Drain pump group						
2500	15101		29ELKC	dp		Drain pump 220/240V 50Hz
2505	15101/D		29ELKC	dp		Pipe fitting
2510	10727		29ELKC	dp		Drain pipe
2515	18044		29ELKC	dp		Ø28 top wash pipe



16_001_e

Spare parts

ID	P-code	Model	Type	Accessory	Voltage	Description
MODULE:Pressure switch group with air trap						
2100	10706/A		29ELKC			47-27 pressure switch
2105	135911/E		29ELKC			Grey air trap assembly
2110	13301		29ELKC			O-ring
2115	11702		29ELKC			M8 stainless steel nut



17_113_e

Spare parts

ID	P-code	Model	Type	Accessory	Voltage	Description
MODULE:Turret group with rotating arms						
19900	540072		29ELKC			Top grey turret assembly for rinse rotor
19905	10225		29ELKC			Guide pipe
19910	540034		29ELKC			Ø57x43x1,5 plane O-ring
19915	13319		29ELKC			Sliding washer
19920	561004		29ELKC			Right rinse pipe
19925	561005		29ELKC			Left rinse pipe
19930	11004		29ELKC			4x10 TCB Ø8 spax toothed screw
19935	560018		29ELKC			Stainless steel rinse nozzle
19940	11101/I		29ELKC			Stainless steel group fixing screw
19945	10267		29ELKC			Head closed rinse nozzle
19950	10263		29ELKC			Head rinse nozzle
19955	561006		29ELKC			Right wash pipe
19960	561007		29ELKC			Left wash pipe
19965	10221		29ELKC			Small raised head wash nozzle
19970	10264		29ELKC			Raised head wash nozzle
19975	10265		29ELKC			Plain head closed wash nozzle
19980	10266		29ELKC			Plain head wash nozzle
19985	10258		29ELKC			Wash rotor
19990	561008		29ELKC			Top/lower wash/rinse group
19995	560017		29ELKC			Rinse arm plug
20000	13016		29ELKC			2018 OR 103 NBR O-ring
20005	10256		29ELKC			Ø18 plastic plug
20010	540010		29ELKC			Turret fixing nut
20015	540032		29ELKC			Ø57x43x4 turret plane O-ring
20020	540068		29ELKC			Lower grey turret assembly for rotor
20025	10260		29ELKC			Blocking ring nut rotor plaque
20030	13316/A		29ELKC			DVGW hole O-ring