

SCE170 SERVICE PARTS

This is the parts list for the SCE170. When looking up part numbers, always check the complete model and serial numbers to be certain of ordering the correct parts.

The SCE170 has been manufactured in A, B and C series configurations. It has also been manufactured in 50 and 60 Hz.

60 Hz model numbers end in -1, 50 Hz in -6.

Model number examples include:

- SCE170A-1A - A Series (Copeland Compressor)
- SCE170A-1B - B series (Tecumseh Comprssor)
- SCE170W-1C - C series (water cooled condenser change)

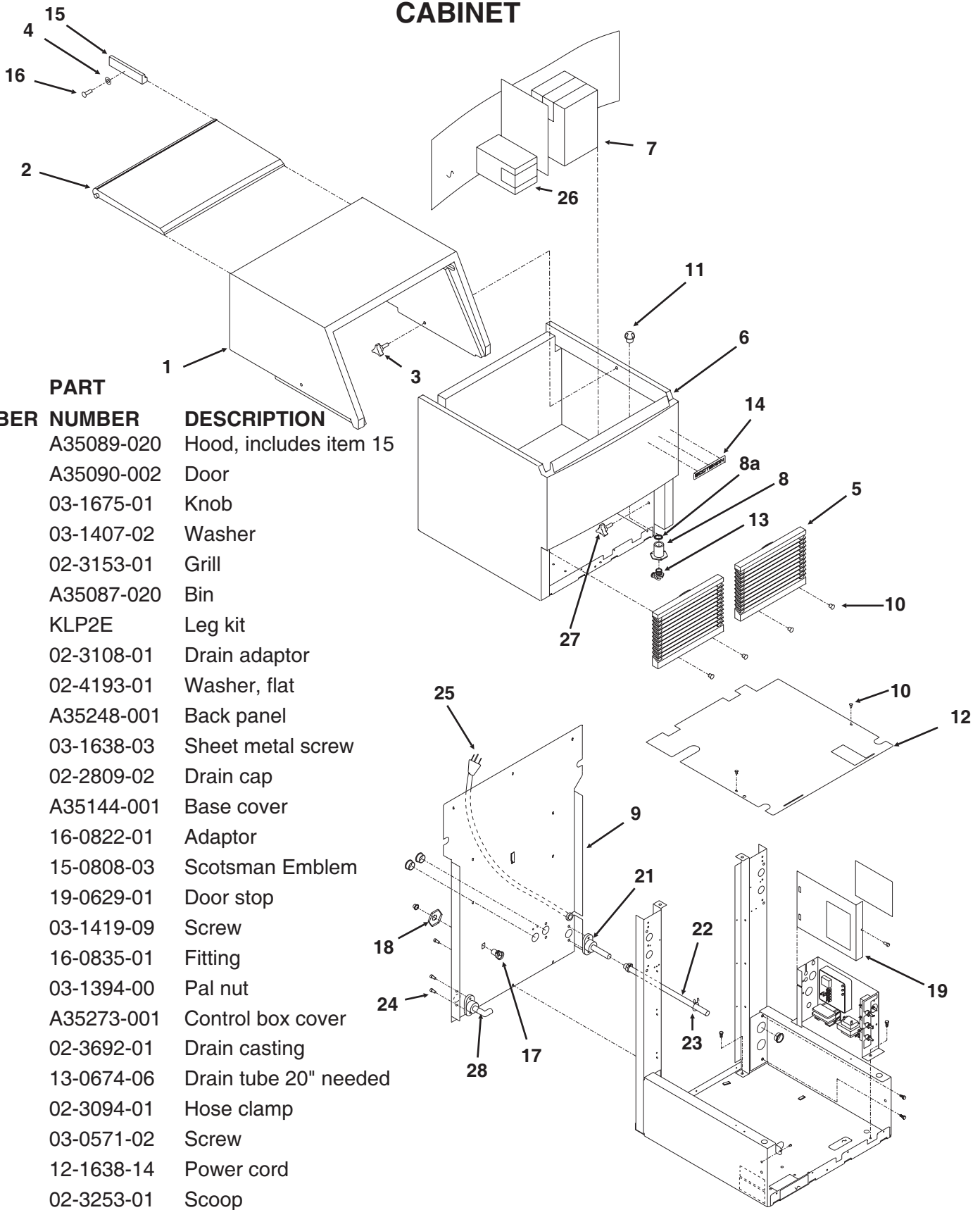
Plastic tubing that has a length measurement in the description is sold by the foot, order 1 unit, and 1 foot will be shipped. Order enough to cover the length required. Lengths of tubing are listed under the description column.

TABLE OF CONTENTS

Cabinet	Page 2
Air cooled refrigeration	Page 3
Water cooled refrigeration	Page 4
Refrigeration	Page 5
Water & Control System	Page 6
Control box	Page 8
Wiring diagrams	Page 9

SCE170 SERVICE PARTS

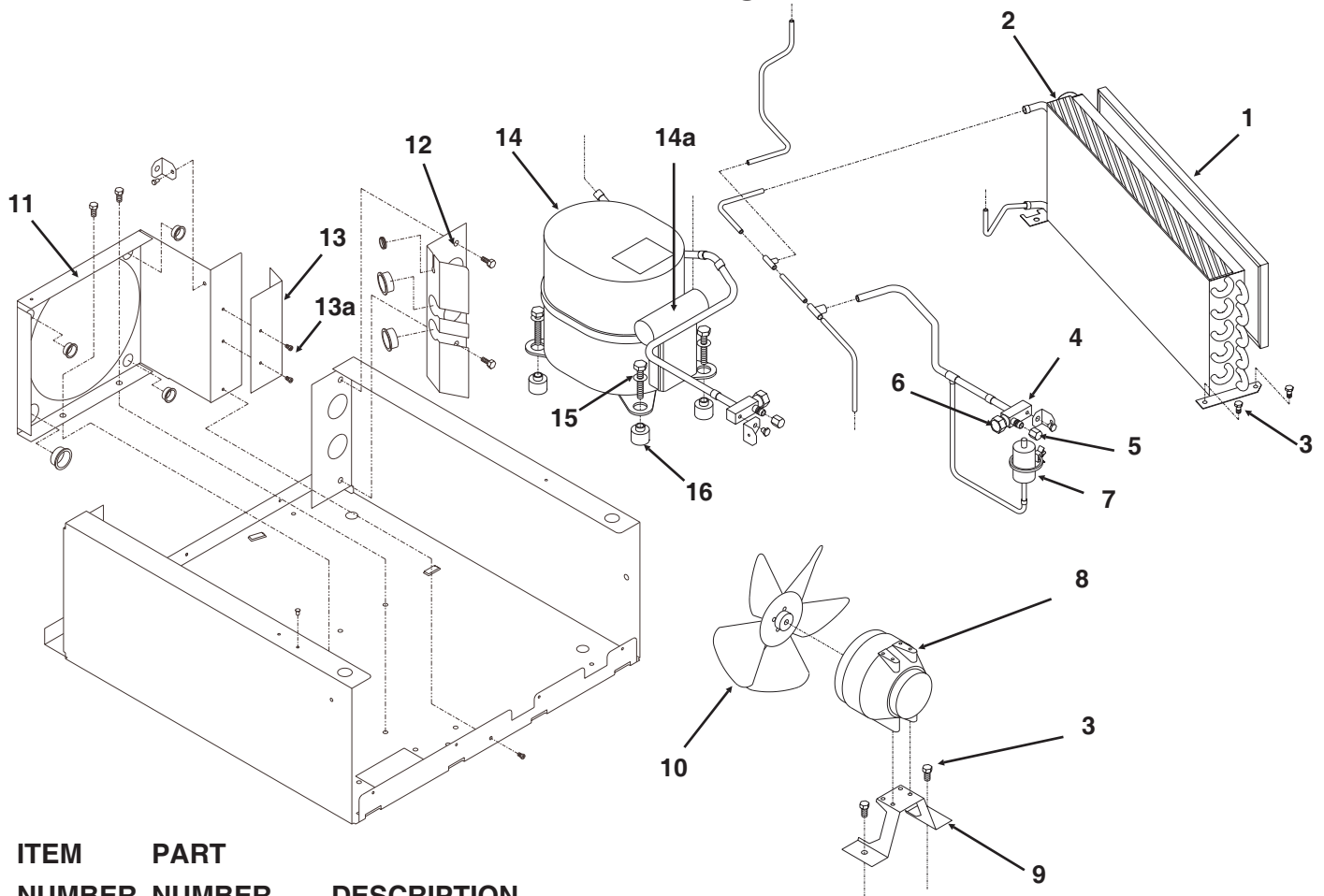
CABINET



ITEM NUMBER	PART NUMBER	DESCRIPTION
1	A35089-020	Hood, includes item 15
2	A35090-002	Door
3	03-1675-01	Knob
4	03-1407-02	Washer
5	02-3153-01	Grill
6	A35087-020	Bin
7	KLP2E	Leg kit
8	02-3108-01	Drain adaptor
8a	02-4193-01	Washer, flat
9	A35248-001	Back panel
10	03-1638-03	Sheet metal screw
11	02-2809-02	Drain cap
12	A35144-001	Base cover
13	16-0822-01	Adaptor
14	15-0808-03	Scotsman Emblem
15	19-0629-01	Door stop
16	03-1419-09	Screw
17	16-0835-01	Fitting
18	03-1394-00	Pal nut
19	A35273-001	Control box cover
21	02-3692-01	Drain casting
22	13-0674-06	Drain tube 20" needed
23	02-3094-01	Hose clamp
24	03-0571-02	Screw
25	12-1638-14	Power cord
26	02-3253-01	Scoop
27	03-1675-02	Bin bolt\
28	A31828-005	Drain casting, no el
	16-0239-01	5/8" street el

SCE170 SERVICE PARTS

Air Cooled Refrigeration



ITEM NUMBER	PART NUMBER	DESCRIPTION
1	02-3193-01	Air filter
2	18-8501-01	AC Condenser for A
	18-8844-01	AC Condenser for B or C
3	03-0571-02	Screw
4	16-0832-20	Access valve
5	16-0832-03	Core cap
6	16-0832-02	Stem cap
7	11-0501-22	Hi press. cut out
8	12-1681-23	Fan motor, 115 volt
	12-1681-04	Fan motor, 230 volt
9	A35246-001	Fan motor bracket
10	18-8708-01	Fan blade
11	A35261-001	Fan shroud
12	A35262-001	Divider
13	A35274-001	Filter bracket
13a	03-1638-03	Screw
14	A37824-021	115 volt compressor kit
	18-8831-26	230/50/1 compressor kit

includes relay, overload, drier and start capacitor

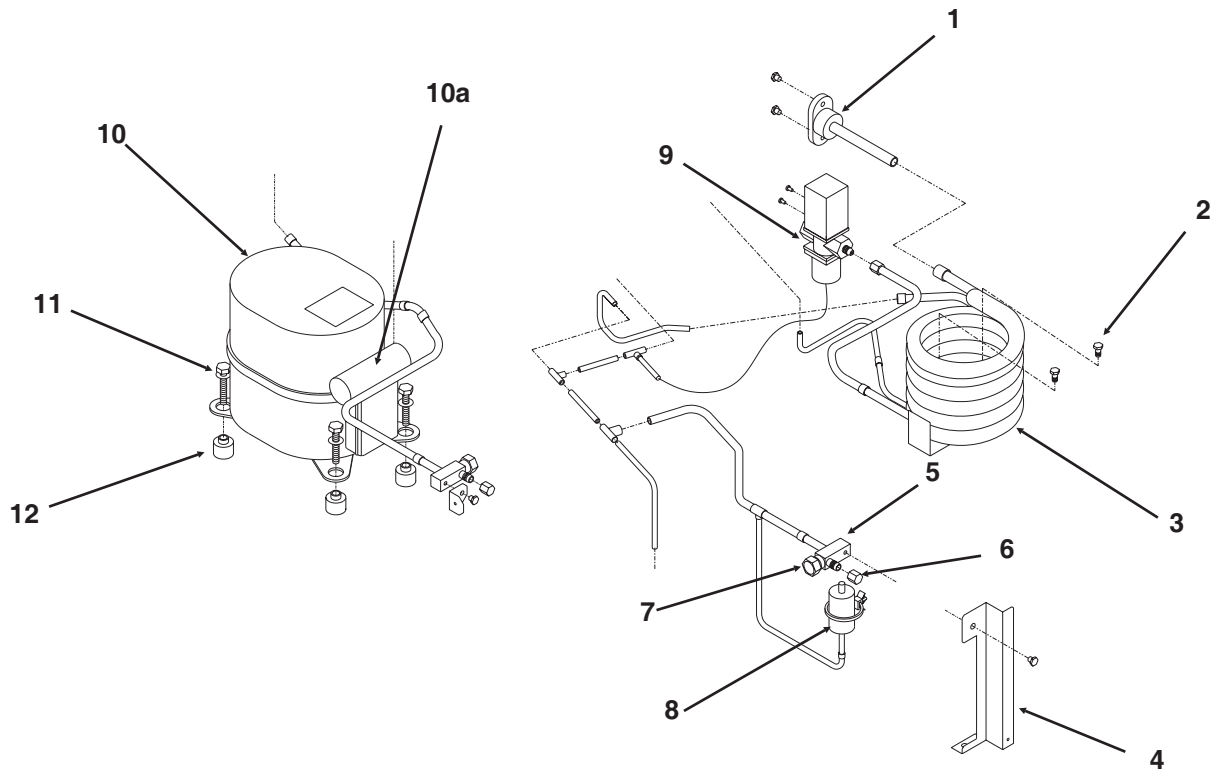
ITEM NUMBER	PART NUMBER	DESCRIPTION
14a	115/60/1 Copeland Starting Components	
	18-1901-15	Start capacitor
	18-1903-49	Relay
	18-8703-50	Overload
	115/60/1 Tecumseh Starting Components	
	18-8831-29	Start capacitor
	18-8831-28	Start relay
	18-8831-27	Overload
	230/50/1 Tecumseh starting components	
	18-8831-25	Start capacitor
	18-8831-24	Start relay
	18-8831-23	Overload

Compressor Mounting Hardware:

15	03-1677-01	Screw
	03-1407-07	Washer
	18-2200-27	Sleeve
16	18-2200-28	Grommet

SCE170 SERVICE PARTS

Water Cooled Refrigeration

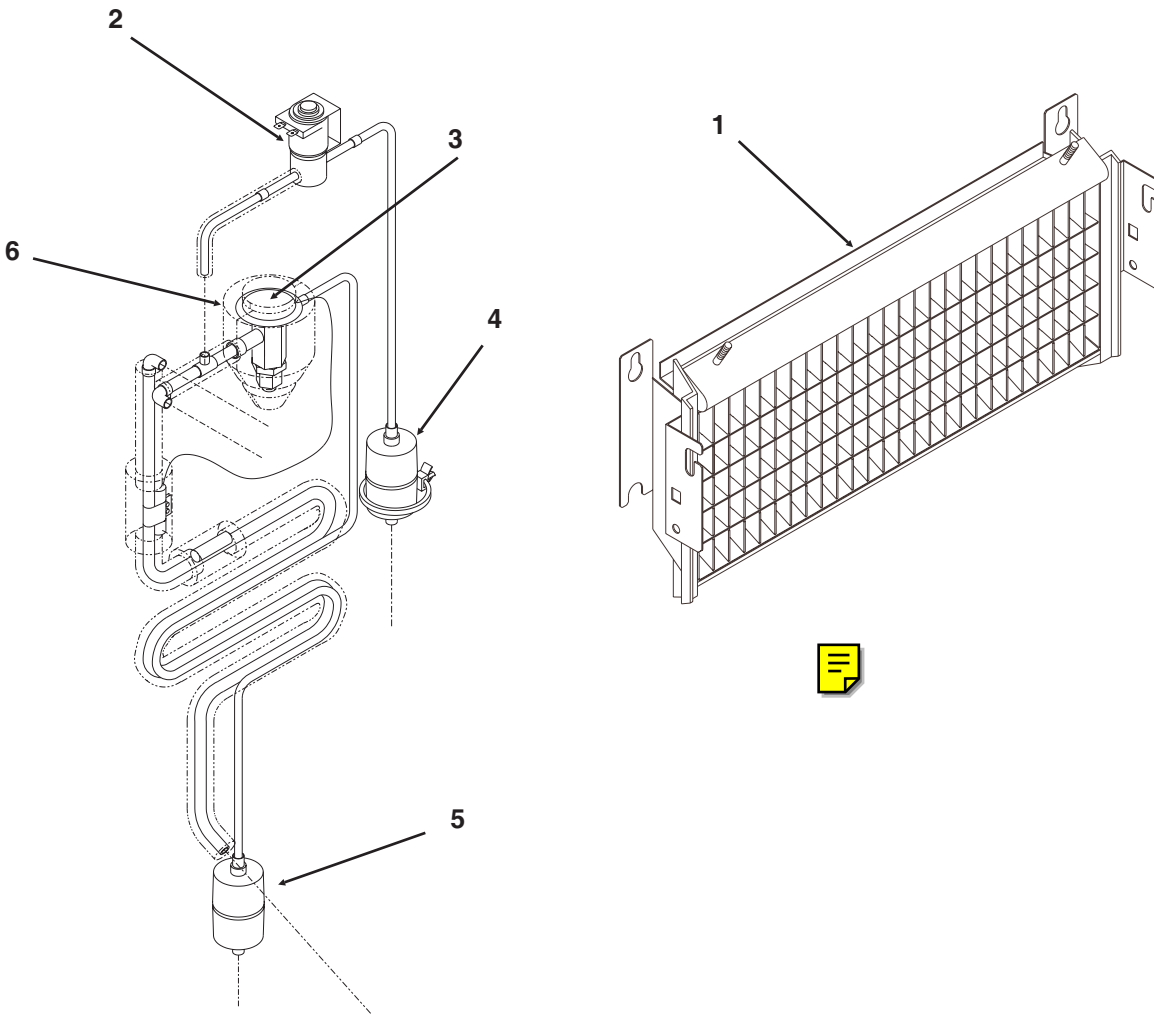


ITEM NUMBER	PART NUMBER	DESCRIPTION
1	A31828-002	Drain casting
2	03-0571-02	Screw
3	18-3707-20	WC Condenser for A
	18-3303-02	WC Condenser for B
	18-8869-21	WC Condenser for C
4	A35642-001	Bracket
5	16-0832-20	Access valve
6	16-0832-03	Core cap
7	16-0832-02	Stem cap
8	11-0487-21	Hi press. cut out
9	11-0478-21	Water regulating valve
10	A37824-021	115 volt compressor kit
	18-8831-26	230/50/1 compressor kit
includes relay, overload, drier and start capacitor		

ITEM NUMBER	PART NUMBER	DESCRIPTION
10a	Copeland Starting Components	
	18-1901-15	Start capacitor
	18-1903-49	Relay
	18-8703-50	Overload
	115/60/1 Tecumseh Starting Components	
	18-8831-29	Start capacitor
	18-8831-28	Start relay
	18-8831-27	Overload
	230/50/1 Tecumseh starting components	
	18-8831-25	Start capacitor
	18-8831-24	Start relay
	18-8831-23	Overload
Compressor Mounting Hardware:		
11	03-1677-01	Screw
	03-1407-07	Washer
	18-2200-27	Sleeve
12	18-2200-28	Grommet

SCE170 SERVICE PARTS

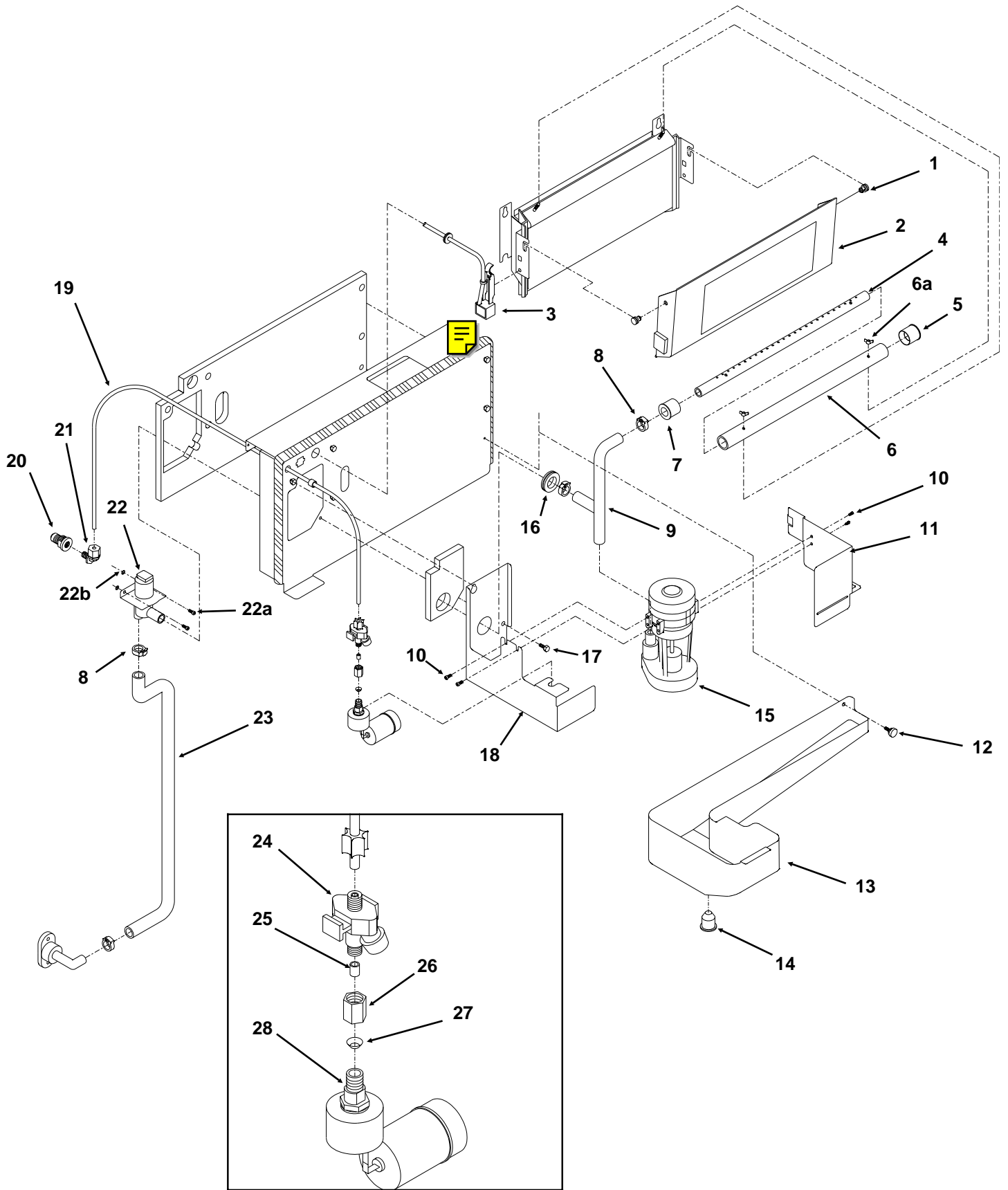
Refrigeration System



ITEM NUMBER	PART NUMBER	DESCRIPTION
1	A35688-020	Evaporator
2	11-0475-21	Hot gas valve & coil, 115/60/1
	11-0475-22	Hot gas valve & coil, 230/50/1
3	16-0868-21	Thermo expansion valve for A series
	16-0868-22	TXV for B or C series. Replaces 16-0868-02, 16-0868-03 or 18-0868-04 valves - locate bulb next to cube size control bulb.
4	02-3231-01	Hot gas valve filter
5	02-3319-01	Dryer
6	A36067-001	Insulation

SCE170 SERVICE PARTS

Water & Control System



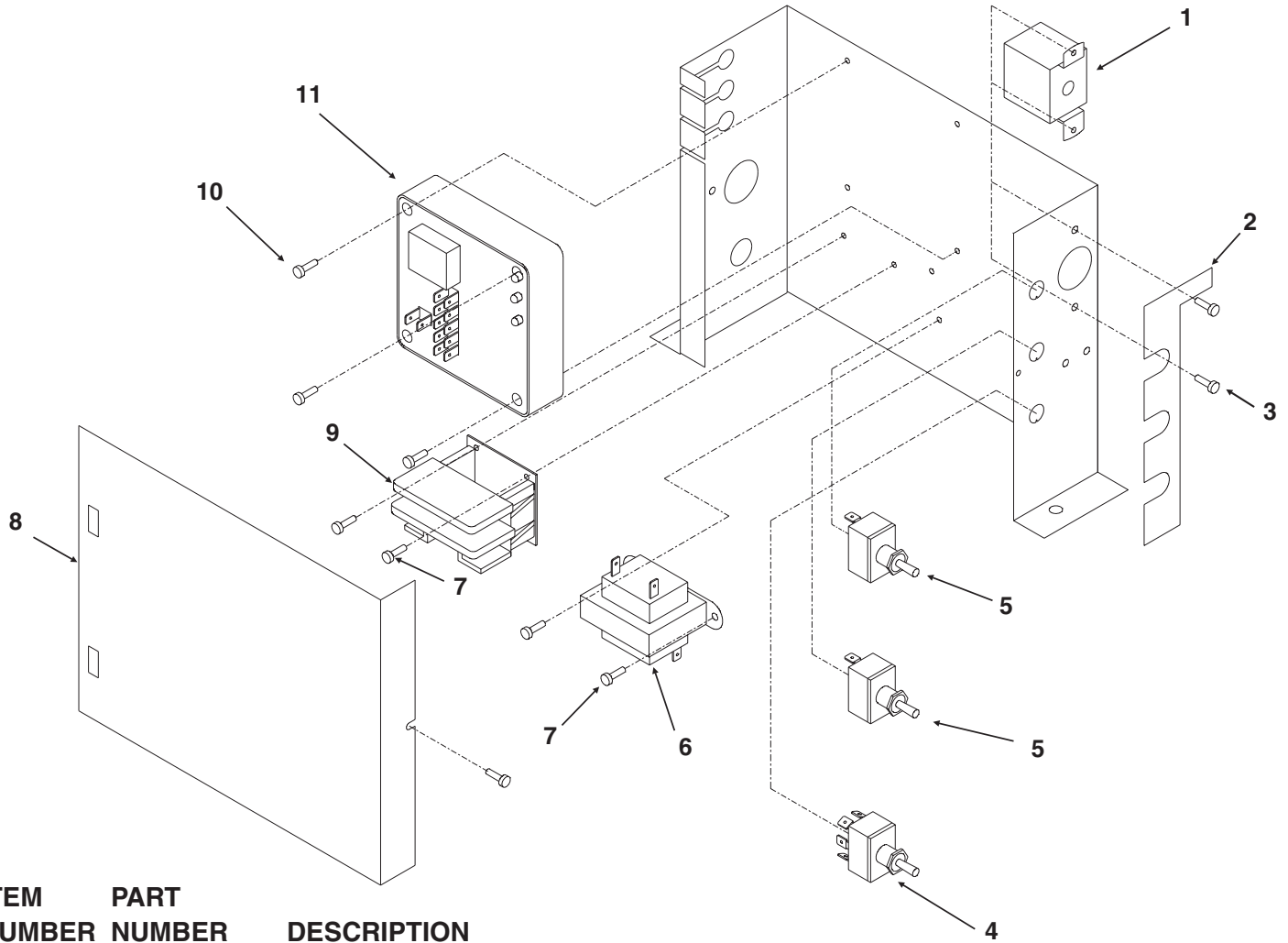
SCE170 SERVICE PARTS

Water & Control System

ITEM NUMBER	PART NUMBER	DESCRIPTION
1	02-3278-01	Hinge pin
2	02-3279-01	Curtain
3	12-2436-22	Curtain sensor
4	02-3295-01	Inner water tube
5	02-3281-01	Right end cap
6	02-3294-01	Outer water tube
6a	03-0255-02	SS wing nut
7	A35669-001	Left end fitting
8	02-2814-08	Hose clamp
9	02-3280-01	Pump hose
10	no number	#8 - 36 1/4 " stainless steel machine screw
11	A35686-001	Pump shield
12	03-0727-09	Thumb screw
13	02-3276-01	Reservoir
14	13-0840-01	Drain plug
15	12-2419-71	Water pump, 115/60/1
	12-2419-75	Water pump, 230/50/1
16	13-0896-01	Grommet
17	03-0571-02	Screw
18	A35680-001	Pump bracket
19	13-0895-01	Water inlet tube, 40" needed
20	16-1081-01	Water inlet fitting
21	16-0837-01	Elbow fitting
22	11-0480-01	Purge valve, 115/60/1
	11-0480-02	Purge valve, 230/50/1
22a	03-1638-03	Screw
22b	03-1684-01	Retaining washer
23	02-3287-01	Purge drain tube
24	no number	Water shut off valve - part of item 28
25	13-0895-01	Water inlet tube 3/8" needed
26	16-0836-01	Inverted flare
27	16-0841-01	Copper flare
28	02-3612-01	Float valve, includes item 24.

SCE170 SERVICE PARTS

Control Box

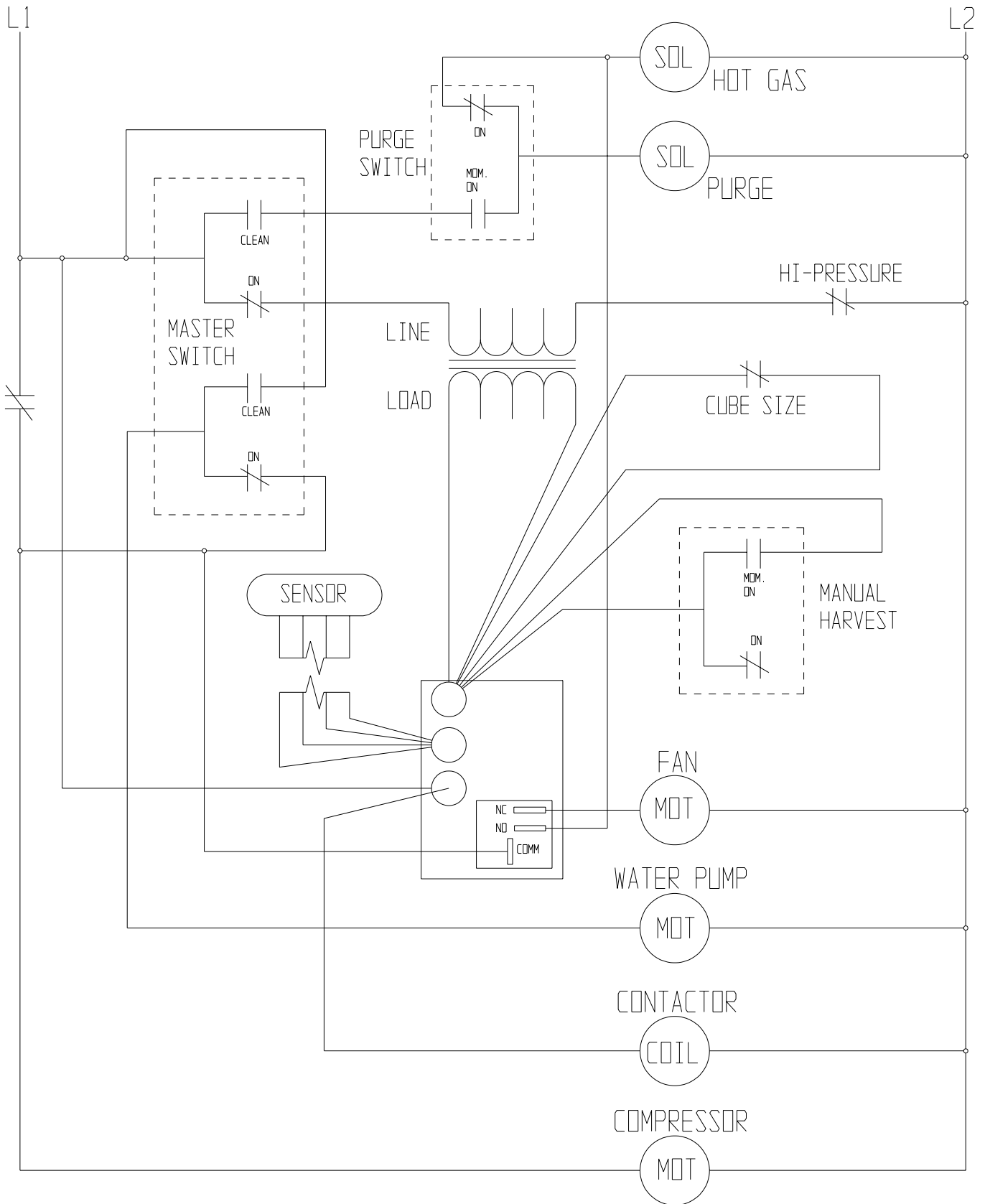


ITEM NUMBER	PART NUMBER	DESCRIPTION
1	11-0370-20	Cube Size Control (bridge thickness)
2	no number	Control box label
3	03-1403-83	Screw
4	12-2255-01	Toggle switch, DPDT
5	12-2426-01	Toggle switch, SPST
6	12-2285-21	Transformer, 115 to 12 volt
	12-2639-01	Transformer, 230 to 12 volt
7	03-1638-04	Screw
8	A35273-001	Control box cover
9	12-2469-03	Contactor, 115 volt coil
	12-2469-02	Contactor, 230 volt coil
10	03-1419-09	Screw
11	12-2436-21	Control module
Not Shown		
12	12-2686-01	Fuse, only used on 50 Hz
	12-2687-01	Fuse holder, only used on 50 Hz

SCE170 SERVICE PARTS

Wiring Diagram

115/60/1 Air or Water Cooled

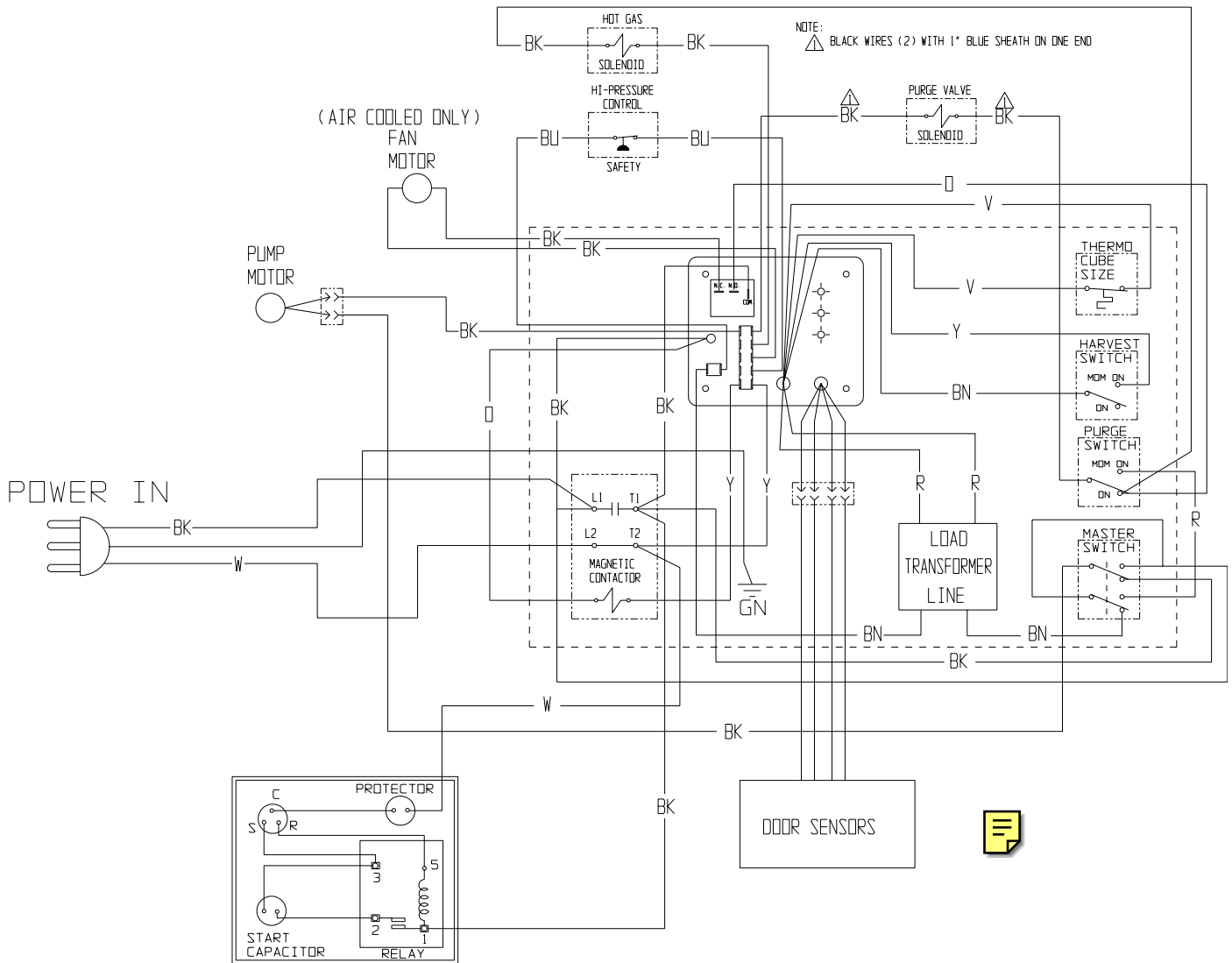


SCE170 SERVICE PARTS

Wiring Diagram

115/60/1 Air or Water Cooled

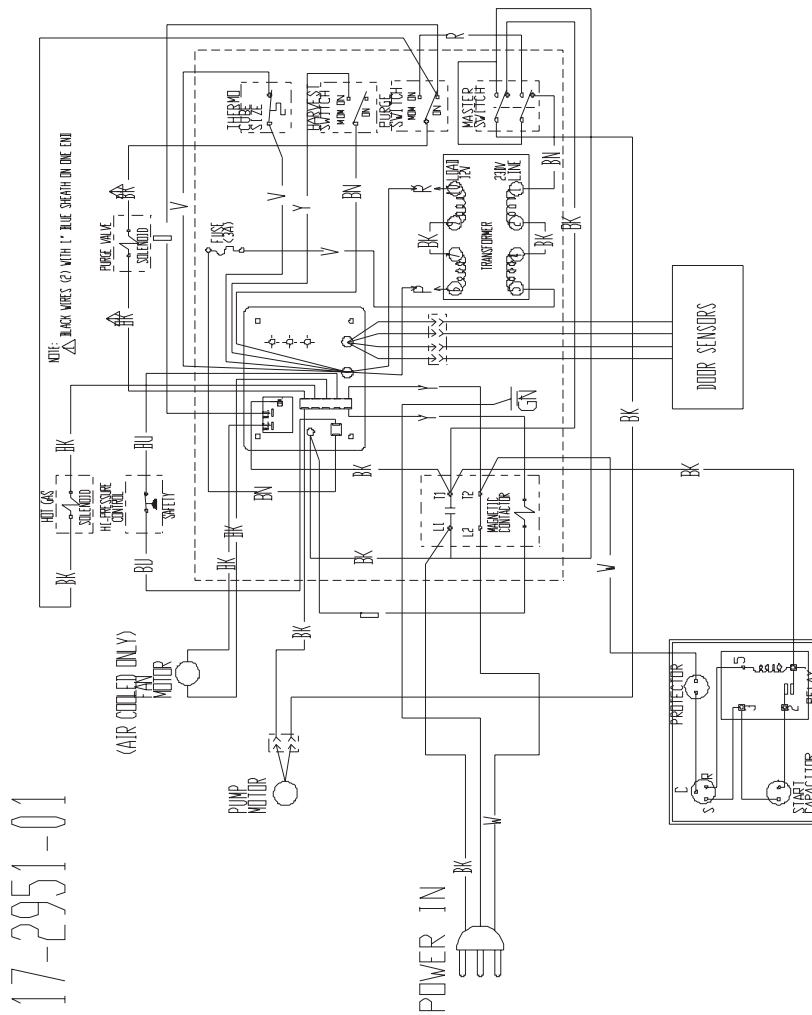
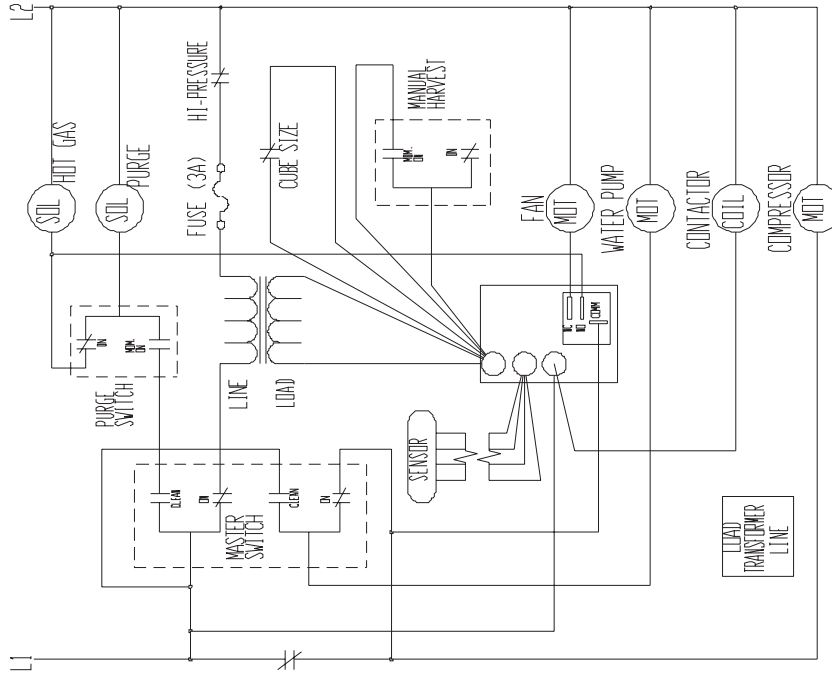
A36257-001



**Note: Shown in Timed Portion of Freeze Cycle
Manual Purge Only Works in Clean**

SCE170 SERVICE PARTS

230/50/1 Wiring Diagram



17-2951-01

NOTE: SHOWN IN TIMED PORTION OF FREEZE CYCLE
MANUAL PURGE ONLY WORKS IN CLEAN