

541176100

544470100

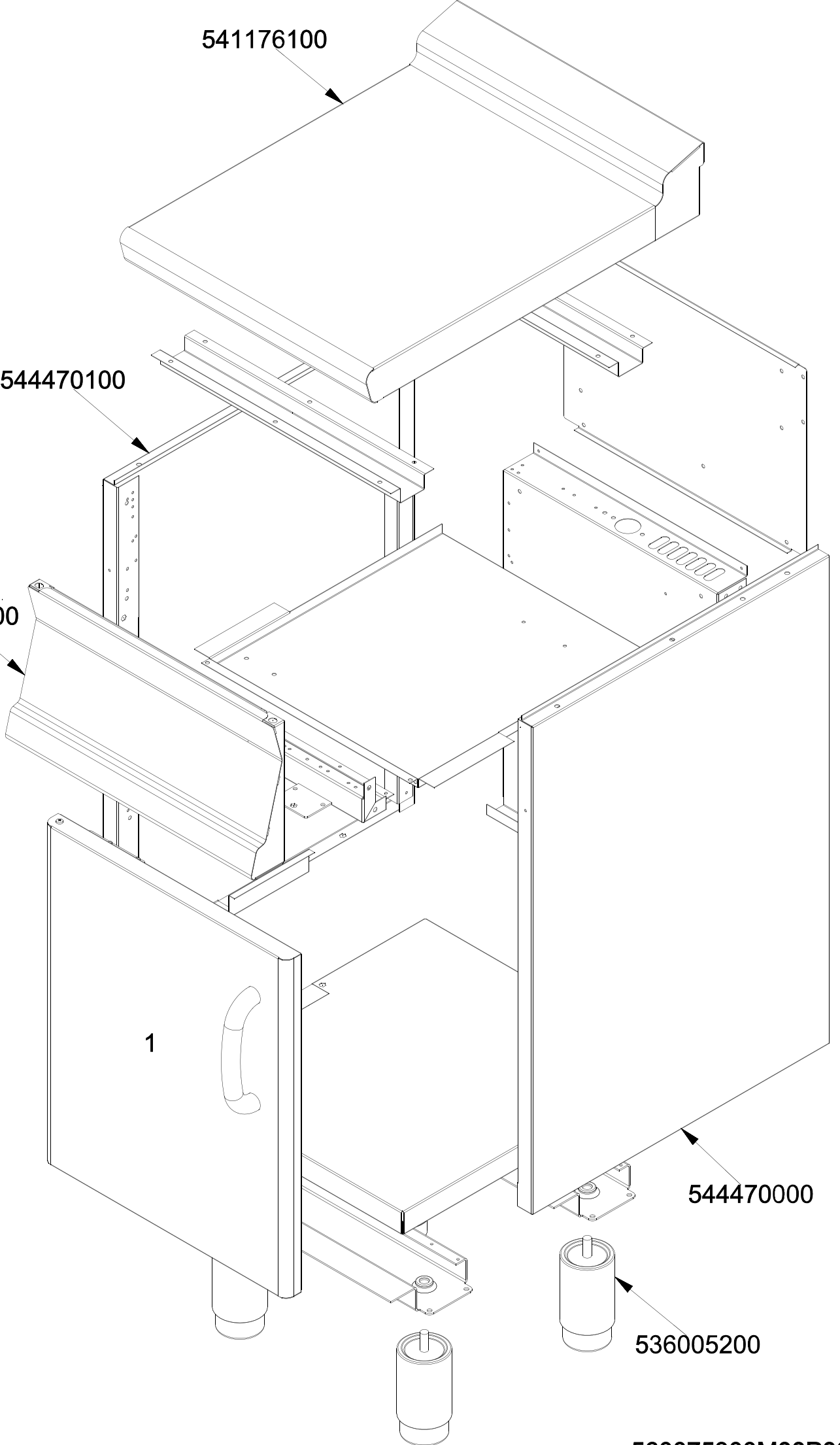
541140200

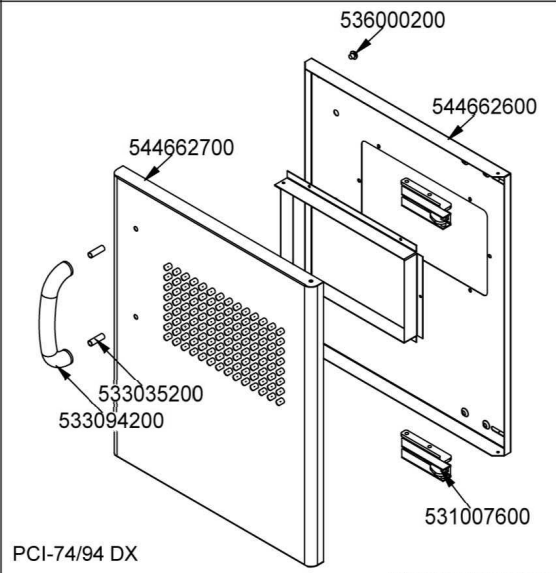
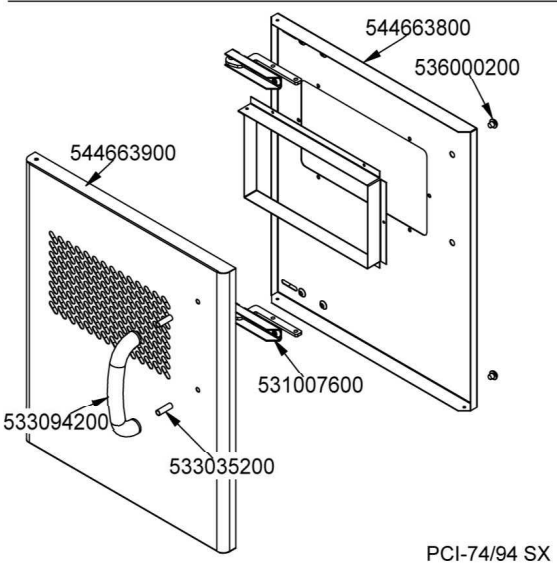
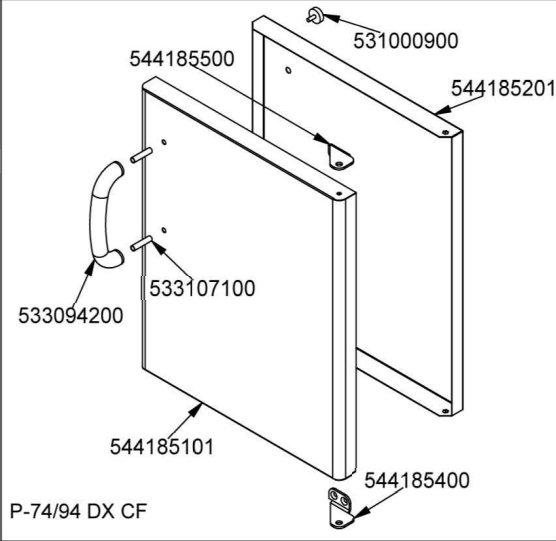
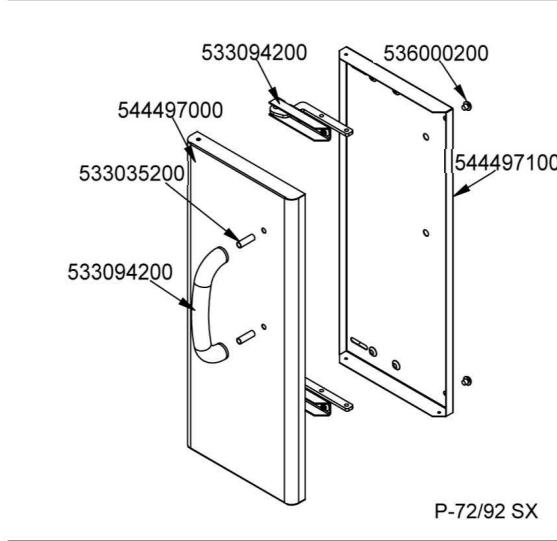
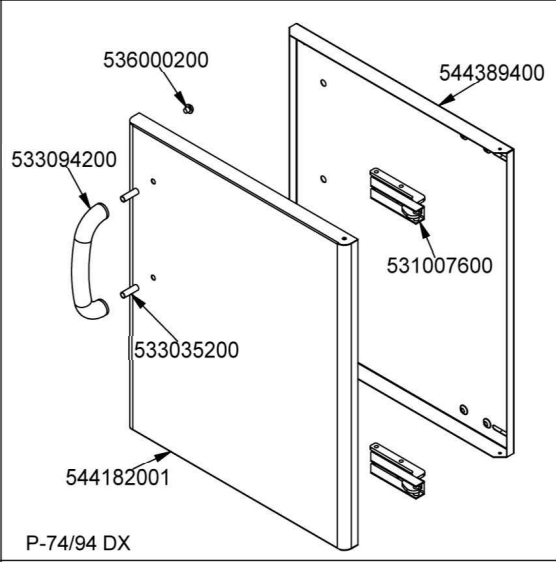
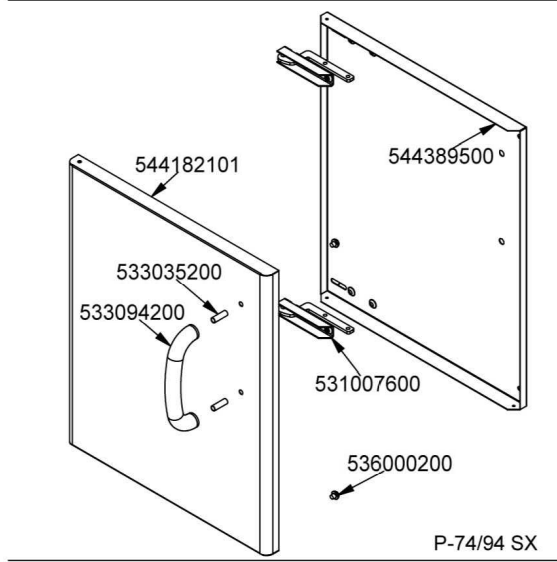
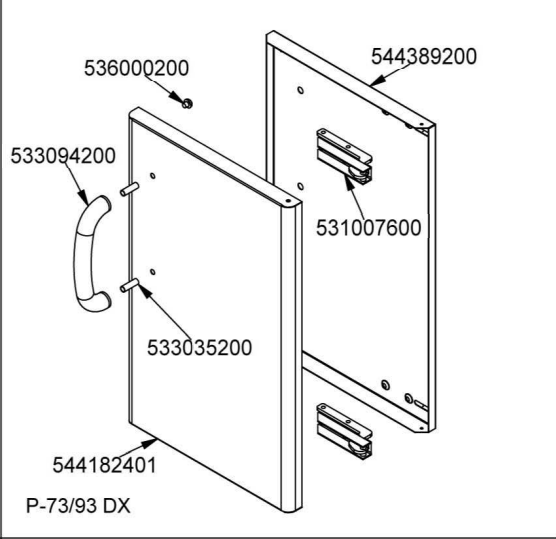
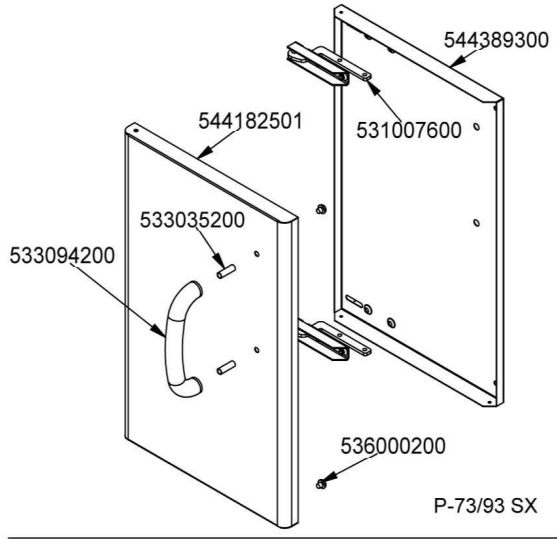
1

544470000

536005200

560075300M00P00





Page	Pos	Code	Description
001		541176100	UPPER PLATE PL-54
001		544470100	LHD SIDE OF 55M
001		541140200	CONTROL PANEL S70/90 LA-74 LAT-74
001		544470000	RHD SIDE OF 55M
001		536005200	INOX LEG 2" 120-180 M10
002		544389300	CONTROP.73 SX APP. LT
002		531007600	DOOR HINGE
002		544182501	LEFT DOOR 73
002		533094200	S/S HANDLE FOR 70/90 SERIES
002		533035200	HANDLE SPACER
002		536000200	D.12 H.4 BUMPER
002		544389200	CONTROP.73 DX APP. LT
002		544182401	RIGHT DOOR 73
002		544182101	LEFT DOOR 74
002		544389500	INNER-DOOR OF LHD 74
002		544389400	CONTROP.74 DX APP. LT
002		544182001	RIGHT DOOR 74
002		544497000	PORTA 72 SX
002		544497100	CONTROP.72 SX APP. LT
002		544185101	RIGHT DOOR 74 CF
002		533107100	HANDLE SPACER OF CF-70
002		544185500	UPPER DOOR HINGE FOR COMPARTME CF70
002		531000900	MAGNET §22 KG.3 WITH DISK
002		544185201	INNER DOOR * 74DX
002		544185400	LOWER DOOR HINGE FOR COMPARTME CF70
002		544663900	LHD 74 DOOR FOR PCI
002		544663800	74 LHD OVEN INNER DOOR FOUR PCI
002		544662700	DOOR 74 DX PCI
002		544662600	CONTROP.74 DX APP. LT PCI