

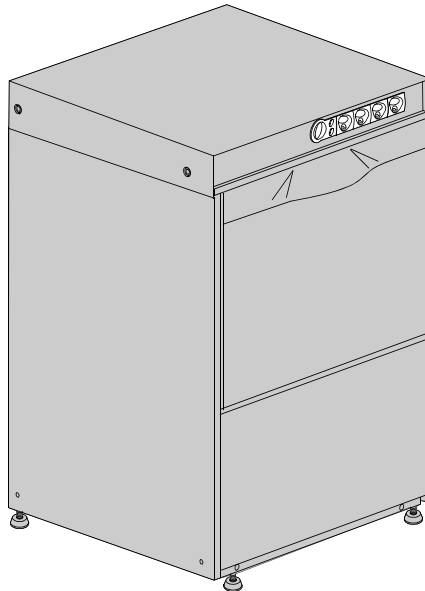
DISHWASHER

ELECTROMECHANICAL SWITCHES
LOWER AND UPPER WASHING
INSULATED MODEL

TYPE: 29S

Accessories
BREAK TANK
BOOSTER PUMP
DVGW
COLD RINSE
WATER SOFTNER
DETERGENT DISPENSER
DRAIN PUMP

Spare Parts Manual



INFORMAZIONI GENERALI

Questo catalogo serve per richiedere con esattezza le parti di ricambio

Nelle ordinazioni indicare:

1) il numero dei codici dei particolari seguito dalla descrizione e la quantità desiderata;

2) Il codice alfa-numerico presente nella seconda colonna della tabella ;

I disegni delle parti di ricambio sono solo indicativi e non rappresentano il pezzo in oggetto.

I dati contenuti in questo catalogo sono indicativi e possono essere soggetti a modifiche senza impegno di preavviso.

ALLGEMEINE INFORMATIONEN

Dieser Ersatzteilkatalog dient zur genauen Angabe der Teile bei Ersatzteilbestellungen.

Bei Ersatzbestellung ist folgendes anzugeben:

1) Die Bestellnummer der Ersatzteile mit der entsprechenden Beschreibung genaue Menge;

2) Der alpha-numerischer Code auf der zweiten Reihe in dein Spultid;

Die Zeichnungen der Ersatzteile sind nur als Hinweise gedacht und stellen nicht das betroffene Teil dar.

Bei den im Katalog angeführten Daten handelt es sich um Anhaltsdaten, die jederzeit, ohne Vorankündigung, geändert werden können.

GENERAL INFORMATION

The present spare parts order exactly the right spare parts

When ordering specify:

1) the part's code number followed by its description and quantity needed;

2) The alpha-numeric code is in the second column in the chart;

Spare parts drawings are general and do not represent the part.

The contents of this catalogue are general and can undergo changes without prior notice.

INFORMACIONES GENERALES

El presente catálogo sirve para pedir con exactitud las partes de repuesto

En los pedidos se debe indicar:

1) el número de código de la parte y a continuación la descripción cantidad deseada;

2) El código alfanumerico presente en la signada columna de la tabla;

Los diseños de las partes de recambio son solo indicativos y no representan la pieza en cuestión.

Los datos contenidos en el presente catálogo son indicativos y pueden modificarse sin aviso previo.

INFORMATIONS GENERALES

Ce catalogue permet de commander correctement les pièces détachées

Les commandes doivent être passées en indiquant:

1) le numero de code des pièces détachées suivi de leur description quantité désirée;

2) le code alphanumérique dans la deuxième colonne du tableau;

Les plans des pièces détachées sont fournis seulement à titre indicatif et ne représentent pas la pièce concernée.

Les données de ce catalogue sont citées seulement à titre indicatif et peuvent être l'objet de modifications sans avis préalable.

ESEMPIO
EXAMPLE
EXEMPLE
BEISPIEL

| Rif. | Codici |
|--------------------|---------|
| MODULE:Particolari | |
| 10505 | 540903 |
| 10510 | 540908 |
| 10515 | 15065/A |
| 10520 | 540086 |
| 10525 | 540028 |



Note

Tutte le informazioni riportate si intendono aggiornate alla data di stampa. Il Produttore si riserva il diritto di apportare qualsiasi modifica richiesta dallo sviluppo evolutivo dei suddetti prodotti.

Per la sicurezza, la garanzia, l'affidabilità ed il valore della lavastoviglie usa solo ricambi originali. **Per alcuni codici, sono richieste quantità minime d'ordine.**



Attenzione

Questo libretto è parte integrante della lavastoviglie e, in caso di passaggio di proprietà, deve essere consegnato al nuovo acquirente.



Remarque

Toutes les informations contenues dans ce manuel s'entendent mises à jour à la date d'impression. En raison du développement constant de ses produits, usine se réserve le droit d'apporter à tout instant les modifications qu'elle jugera utiles.

Pour la sécurité, la garantie, la fiabilité et la valeur de votre lavevaisselles n'utilisez que des pièces de rechange d'origine. **Pour quelque référence on demande un minimum de pièces par commande**



Attention

Ce manuel doit être considéré comme partie intégrante de la la lavevaisselles, en cas de transfert de propriété, doit toujours être remis au nouveau propriétaire.



Note

The information contained herein is valid at the time of going to print. The Company reserves the right to make any changes required by the future development of the above-mentioned products.

For your safety, as well as to preserve the warranty reliability and worth of your dishwashers, use original spare parts only. **For some codes a minimum quantity for order is required.**



Warning

This manual forms an integral part of the dishwashers and - if a transfer of title occurs - must always be handed over to the new owner.



Hinweis


Die Der Hersteller behält sich das Recht vor, jegliche, durch eine Weiterentwicklung der genannten Produkte bedingte Änderungen vornehmen zu können.

Verwenden Sie für Ihre Sicherheit, die Garantie, die Zuverlässigkeit und den Wert Ihrer machine originale Ersatzteile. **Für bestimmte Code nummer werden mindesten bestellungen verlangt.**



Achtung

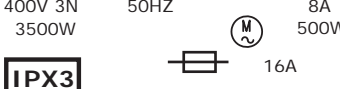
Diese Betriebsanleitung ist Bestandteil des machine und muss bei seinem Weiterverkauf dem neuen Besitzer ausgehändigt werden.



Code DW 999XXXXXX
Model DESCRIPTION
S/N DW A 1015770 Type

400V 3N 50HZ 8A
 3500W 500W

IPX3




16A

200-500 kPa

Pressione Dinamica alimentazione idrica
 Pression dynamique arrivee d'eau
 Dynamic pressure water supply
 Dynamischer Druck asserreinlauf

Pressione dinamica vapore saturo
 Pression dynamique vapeur satuee
 Dymanischer Druck gesattigter Dampf
 Pression Dinamica Vapor Saturado


CL/Part





TECHICAL SPECIFICATION

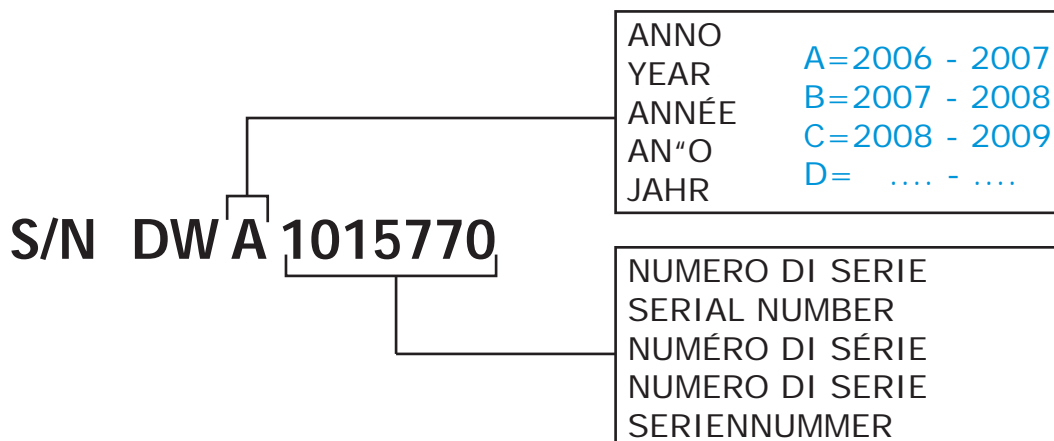
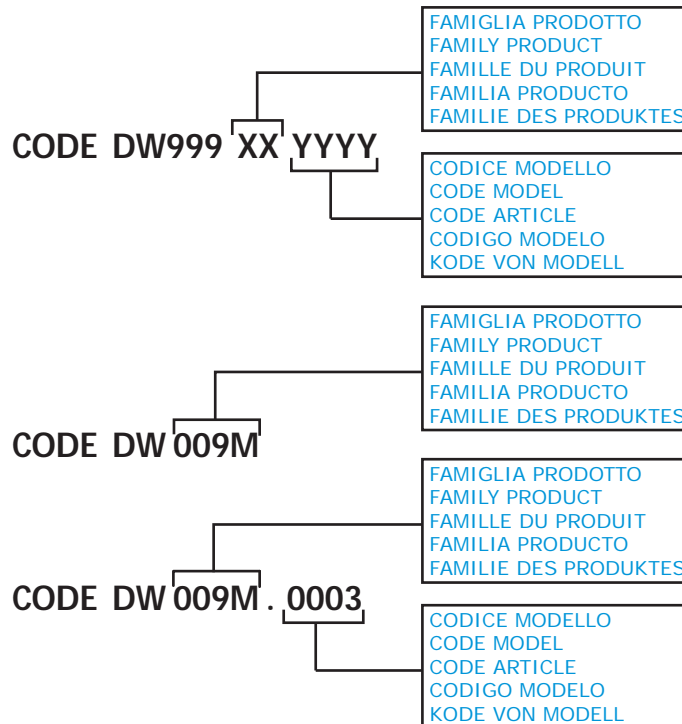
MADE IN ITALY

Temperatura massima acqua in ingresso 60°C
 Temperature max eau a l'entre
 Maximale Temperatur Wasseranschlu
 Maximum Water temperature in-feeding



Model 

S/N 



1. Spare parts

| | |
|------------------------------------|----|
| General body parts..... | 9 |
| Lockup system | 11 |
| Control panel and switches..... | 13 |
| Electric control components..... | 15 |
| Solenoid valve group | 17 |
| Solenoid valve group | 19 |
| Break Tank | 21 |
| Rinse with steady temperature..... | 23 |
| Booster pump..... | 25 |
| Booster pump..... | 27 |
| DVGW | 29 |
| Water softner group..... | 31 |
| Rinse aid dispenser group..... | 33 |
| Rinse aid dispenser group..... | 35 |
| Boiler group | 37 |
| 3 ways connection | 39 |

| | |
|--|-----------|
| Wash pump | 41 |
| Dosing detergent group..... | 43 |
| Drain pump group..... | 45 |
| Pressure switch group with air trap ... | 47 |
| Turret group with rotating arms | 49 |
| Turret group with rotating arms | 51 |

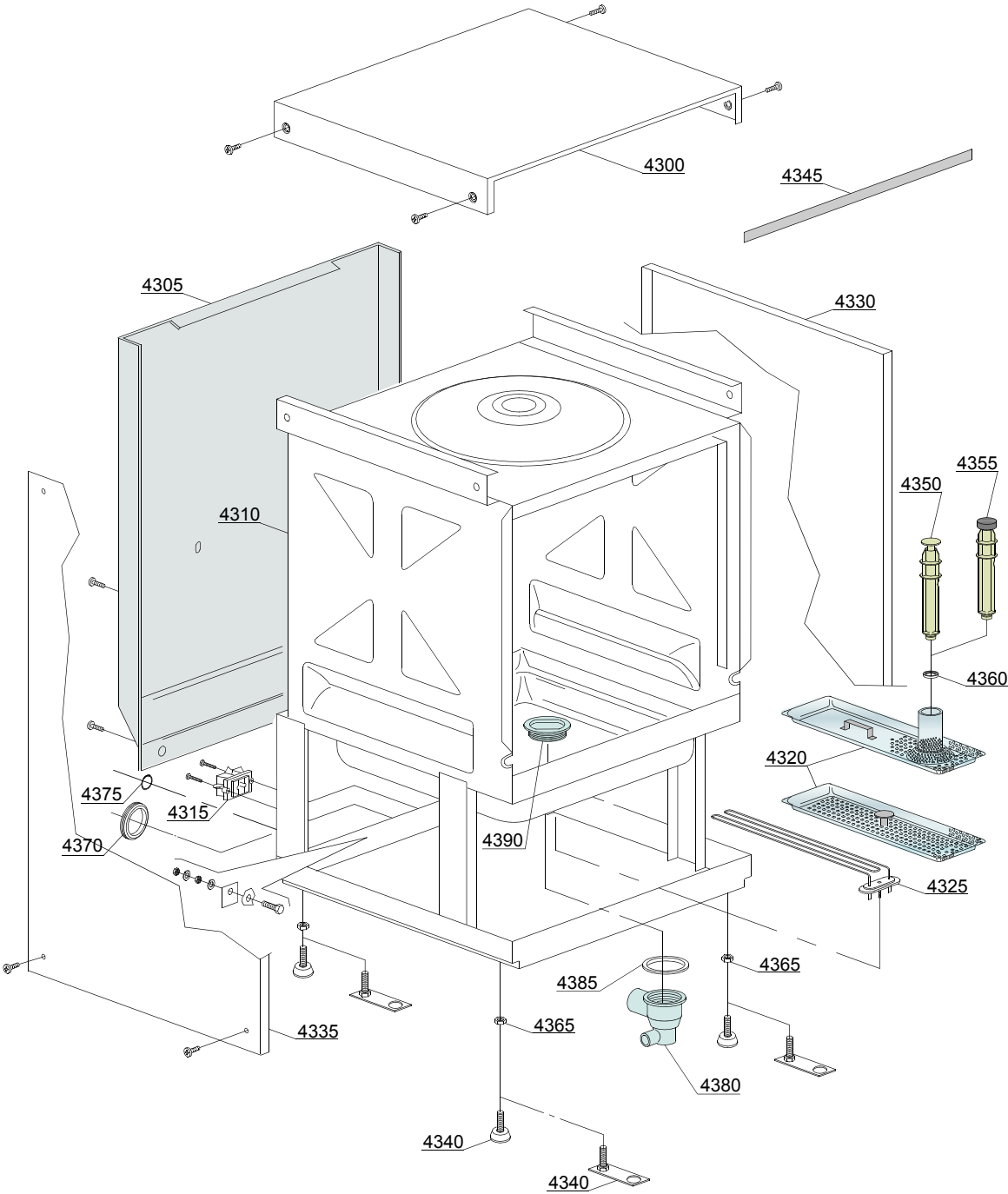
1.1 Voltage codes

| Volt | Voltage code |
|------|-------------------------|
| A | 3/N/PE~380-400V 50-60Hz |
| D | 3/PE~200-210V 50-60Hz |
| F | 2/PE~220-240V 50-60Hz |
| G | 3/N/PE~415V 50-60Hz |
| H | 3/PE~220-230V 50-60Hz |
| K | 3/PE~380-400V 50-60Hz |
| L | 3/PE~415V 50-60Hz |
| M | 3/PE~440V 60Hz |
| P | 1/N/PE~220-230V 50-60Hz |
| R | 2/PE~220-240V 50-60Hz |
| U | 1/N/PE~240V 50-60Hz |
| V | 3/PE~240V 50-60Hz |
| W | 1/N/PE~100-110V 50-60Hz |

1.2 Product codes

| Product code | Full name |
|-----------------|----------------------------|
| Model codes | |
| em | ELECTROMECHANICAL SWITCHES |
| uw | LOWER AND UPPER WASHING |
| i | INSULATED MODEL |
| Type codes | |
| 29S | 29S |
| Accessory codes | |
| bt | BREAK TANK |
| bp | BOOSTER PUMP |
| dvgw | DVGW |
| cr | COLD RINSE |
| ws | WATER SOFTNER |
| dd | DETERGENT DISPENSER |
| dp | DRAIN PUMP |

01_002_e



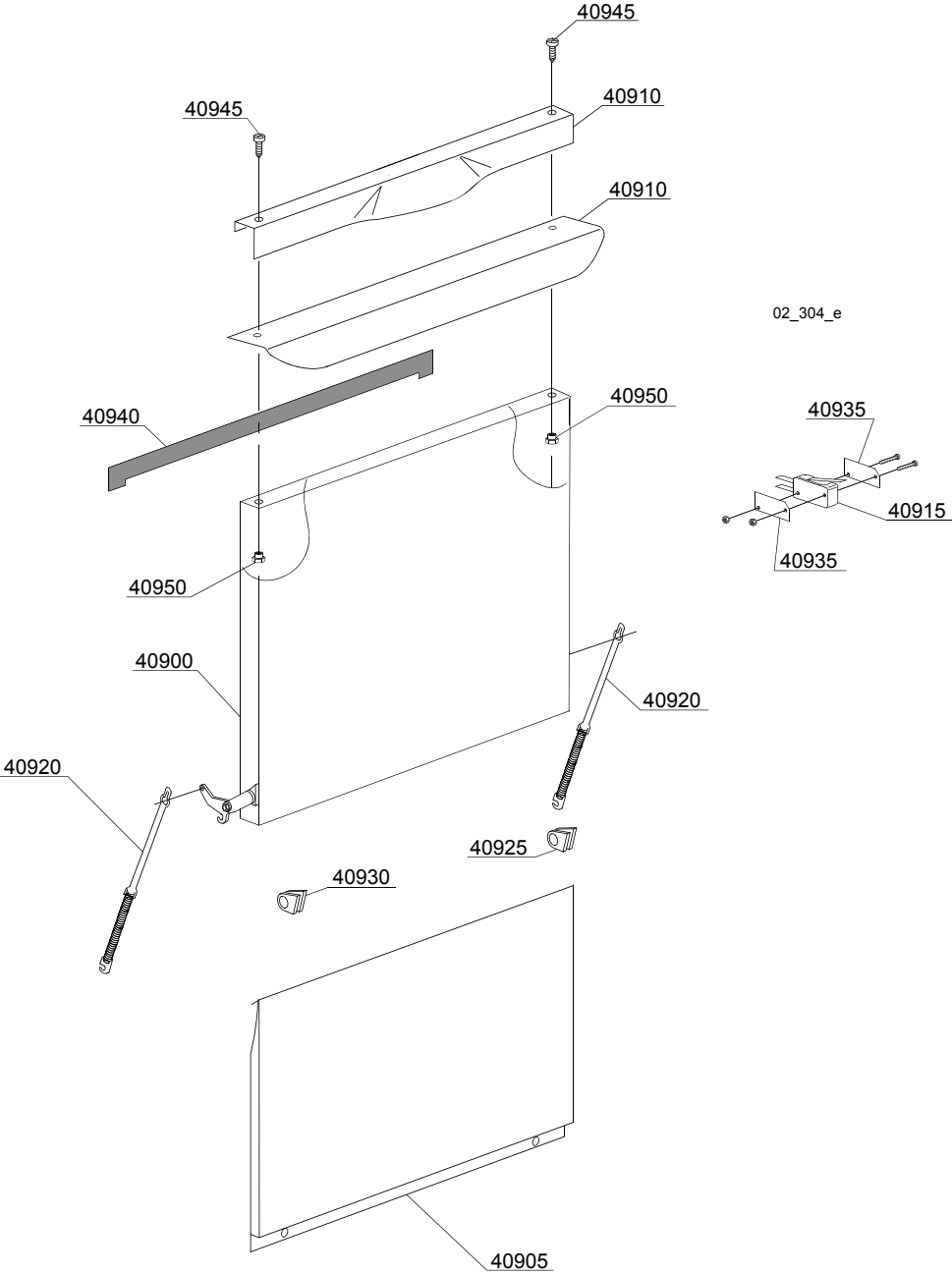
Spare parts

| ID | P-code | SN from | SN to | Mod. | Acces. | Volt | Description |
|----------------------------------|---------|---------|-------|------|--------|------|---|
| Module:General body parts | | | | | | | |
| 4300 | 560917 | | - | i | | | Cover |
| 4305 | 560919 | | - | i | | | Back panel |
| 4305 | 560938 | | - | i | bt | | Back panel |
| 4310 | 560900 | | - | i | | | Body |
| 4315 | 15065/A | | - | i | | | Cable-fastener with screw |
| 4320 | 560925 | | - | i | | | Surface filter |
| 4325 | 150047 | | - | i | | | 2,7/2,94KW 230/240V heating element |
| 4330 | 560914 | | - | i | | | Right side |
| 4335 | 560915 | | - | i | | | Left side |
| 4340 | 10786 | | - | i | | | M10x25 Ø40 black foot (minimum 4 pieces) |
| 4340 | 15176 | | - | i | | | M10 marina foot |
| 4345 | 560021 | | - | i | | | Profile for door O-ring |
| 4350 | 500619 | | - | i | | | H=213mm Overflow pipe |
| 4355 | 560020 | | - | i | dp | | Drain pump Overflow pipe |
| 4360 | 13021 | | - | i | | | DEM 40 O-ring (minimum 2 pieces) |
| 4365 | 11711 | | - | i | | | M10 zinc plated nut (minimum 20 pieces) |
| 4370 | 13317 | | - | i | | | D.40mm unloading pipe pass (minimum 2 pieces) |
| 4375 | 13323 | | - | i | | | D.13mm dosing pipe pass (minimum 2 pieces) |
| 4380 | 500606 | | - | i | | | Right side scrap tray |
| 4385 | 80208 | | - | i | | | Ø 95x75x3 O-ring |
| 4390 | 500601 | | - | i | | | Ring nut |

em=ELECTROMECHANICAL SWITCHES, uw=LOWER AND UPPER WASHING, i=INSULATED MODEL
29S=29S

bt=BREAK TANK, bp=BOOSTER PUMP, dvgw=DVGW, cr=COLD RINSE, ws=WATER SOFTNER, dd=DETERGENT DISPENSER, dp=DRAIN PUMP

A=3/N/PE~380-400V 50-60Hz, D=3/PE~200-210V 50-60Hz, F=2/PE~220-240V 50-60Hz, G=3/N/PE~415V 50-60Hz, H=3/PE~220-230V 50-60Hz, K=3/PE~380-400V 50-60Hz, L=3/PE~415V 50-60Hz, M=3/PE~440V 60Hz, P=1/N/PE~220-230V 50-60Hz, R=2/PE~220-240V 50-60Hz, U=1/N/PE~240V 50-60Hz, V=3/PE~240V 50-60Hz, W=1/N/PE~100-110V 50-60Hz



Spare parts

| ID | P-code | SN from | SN to | Mod. | Acces. | Volt | Description |
|------------------------------|--------|---------|-------|------|--------|------|--|
| Module: Lockup system | | | | | | | |
| 40900 | 560963 | | - | | | | Door with steel handle |
| 40905 | 560920 | | - | | | | Lower door |
| 40910 | 560959 | | - | | | | Stainless steel handle |
| 40910 | 560985 | | - | | | | Serie "S" stainless steel handle |
| 40915 | 10704 | | - | | | | Door microswitch |
| 40920 | 560003 | | - | | | | Door spring |
| 40925 | 560006 | | - | | | | Right lock for door hinge (minimum 2 pieces) |
| 40930 | 560007 | | - | | | | Left lock for door hinge (minimum 2 pieces) |
| 40935 | 10770 | | - | | | | Insulation for door microswitch (minimum 3 pieces) |
| 40940 | 560021 | | - | | | | Profile for door O-ring |
| 40945 | 11225 | | - | | | | M4x6 Inox Screw |
| 40950 | 11226 | | - | | | | M4 inox Plated nut |

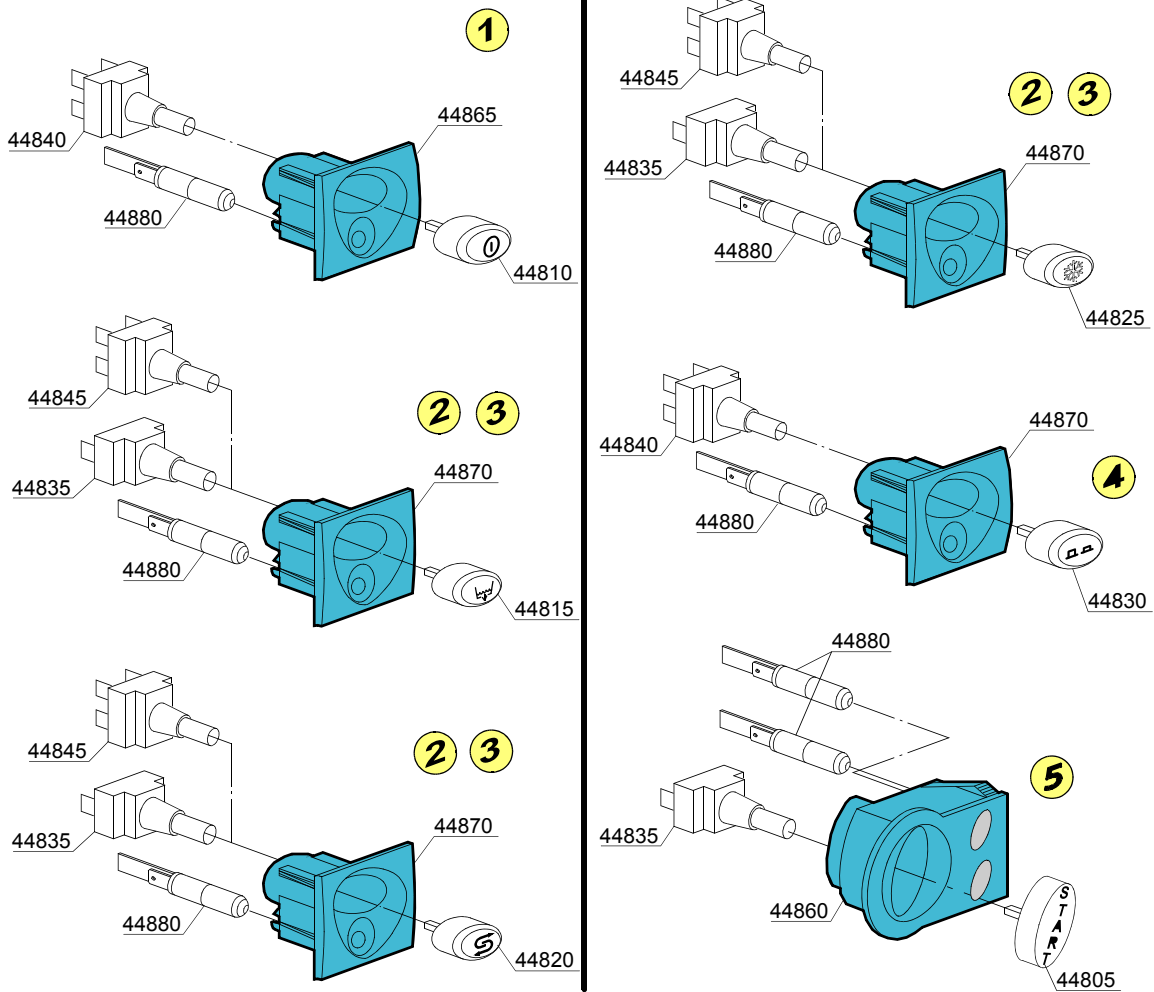
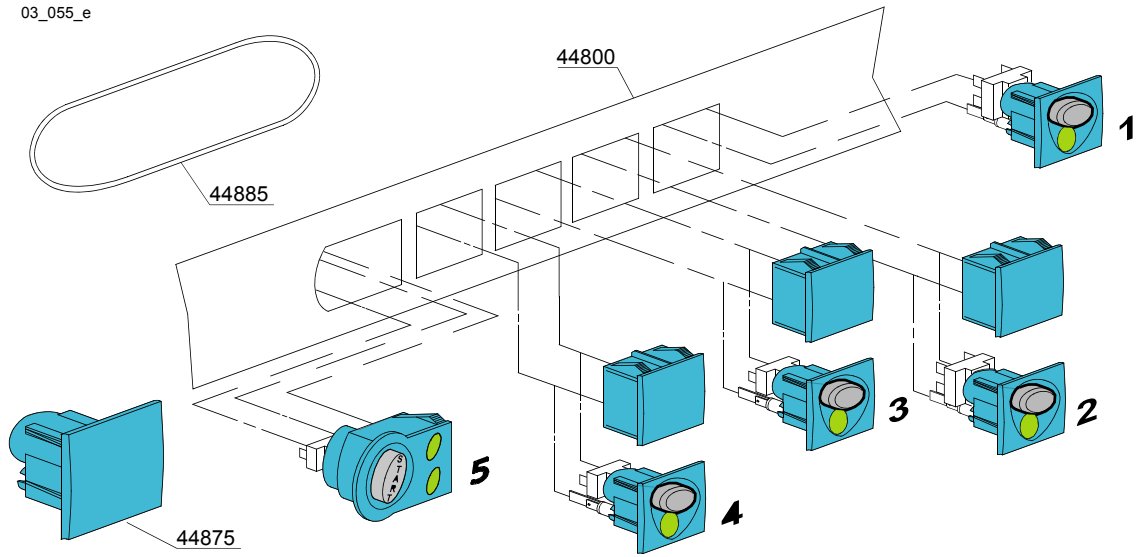
em=ELECTROMECHANICAL SWITCHES, uw=LOWER AND UPPER WASHING, i=INSULATED MODEL

29S=29S

bt=BREAK TANK, bp=BOOSTER PUMP, dvgw=DVGW, cr=COLD RINSE, ws=WATER SOFTNER, dd=DETERGENT DISPENSER, dp=DRAIN PUMP

A=3/N/PE~380-400V 50-60Hz, D=3/PE~200-210V 50-60Hz, F=2/PE~220-240V 50-60Hz, G=3/N/PE~415V 50-60Hz, H=3/PE~220-230V 50-60Hz, K=3/PE~380-400V 50-60Hz, L=3/PE~415V 50-60Hz, M=3/PE~440V 60Hz, P=1/N/PE~220-230V 50-60Hz, R=2/PE~220-240V 50-60Hz, U=1/N/PE~240V 50-60Hz, V=3/PE~240V 50-60Hz, W=1/N/PE~100-110V 50-60Hz

03_055_e



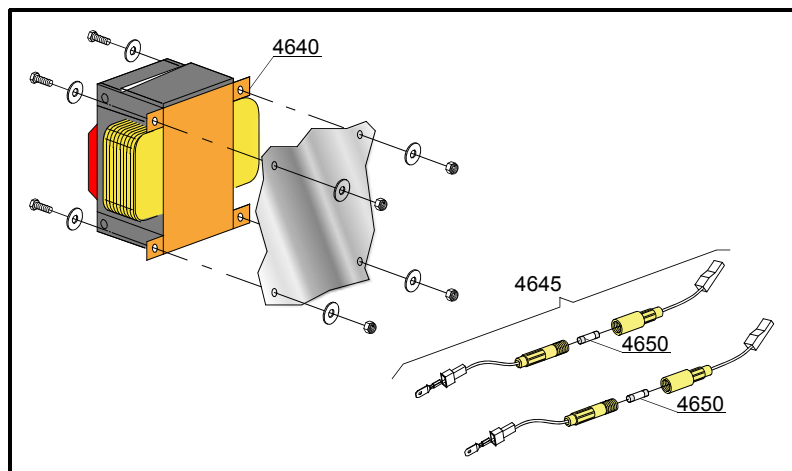
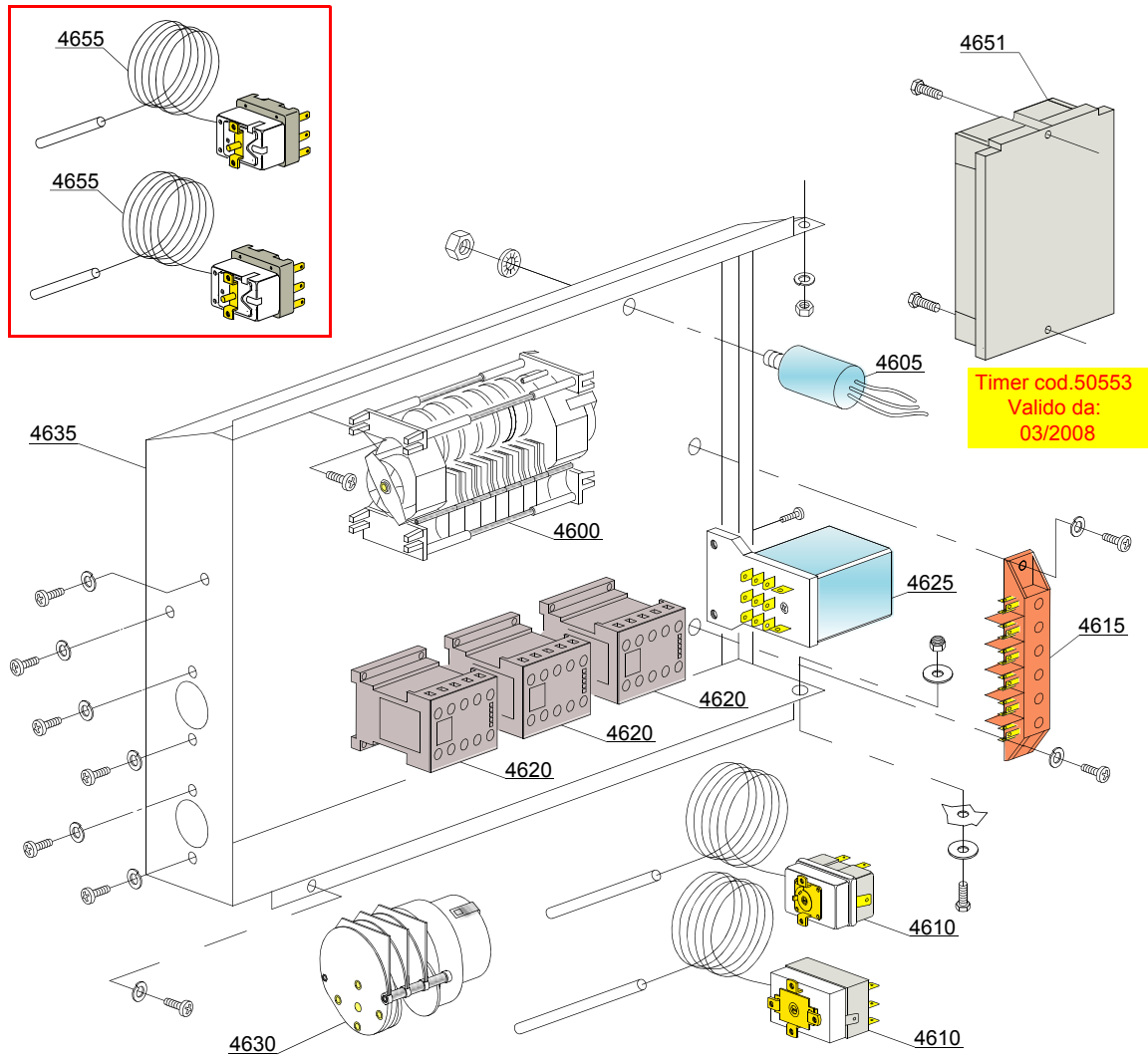
Spare parts

| ID | P-code | SN from | SN to | Mod. | Acces. | Volt | Description |
|--|--------|---------|-------|------|----------|------|----------------------------------|
| Module:Control panel and switches | | | | | | | |
| 44800 | 510009 | | - | em | | | Control panel |
| 44805 | 89347 | | - | em | | | Start push button |
| 44810 | 89340 | | - | em | | | ON-OFF push button |
| 44815 | 89343 | | - | em | dp | | Drain pump push button |
| 44820 | 89345 | | - | em | ws | | Regeneration push button |
| 44825 | 89344 | | - | em | cr | | Hot/cold push button |
| 44830 | 89342 | | - | em | | | Time selector switch push button |
| 44835 | 15813 | | - | em | | | 16A unipolar switch |
| 44840 | 15812 | | - | em | | | 16A switch |
| 44845 | 15800 | | - | em | | | 16A bipolar switch |
| 44860 | 89301 | | - | em | | | Start push button support |
| 44865 | 89304 | | - | em | | | Push button support |
| 44870 | 89302 | | - | em | dp,ws,cr | | Push button support |
| 44875 | 89303 | | - | em | | | Closed support |
| 44880 | 15826 | | - | em | | | Pilot light 220V |
| 44885 | 89333 | | - | em | | | OR O-ring (minimum 3 pieces) |

em=ELECTROMECHANICAL SWITCHES, uw=LOWER AND UPPER WASHING, i=INSULATED MODEL
29S=29S

bt=BREAK TANK, bp=BOOSTER PUMP, dvgw=DVGW, cr=COLD RINSE, ws=WATER SOFTNER, dd=DETERGENT DISPENSER, dp=DRAIN PUMP

A=3/N/PE~380-400V 50-60Hz, D=3/PE~200-210V 50-60Hz, F=2/PE~220-240V 50-60Hz, G=3/N/PE~415V 50-60Hz, H=3/PE~220-230V 50-60Hz, K=3/PE~380-400V 50-60Hz, L=3/PE~415V 50-60Hz, M=3/PE~440V 60Hz, P=1/N/PE~220-230V 50-60Hz, R=2/PE~220-240V 50-60Hz, U=1/N/PE~240V 50-60Hz, V=3/PE~240V 50-60Hz, W=1/N/PE~100-110V 50-60Hz



04_003xe

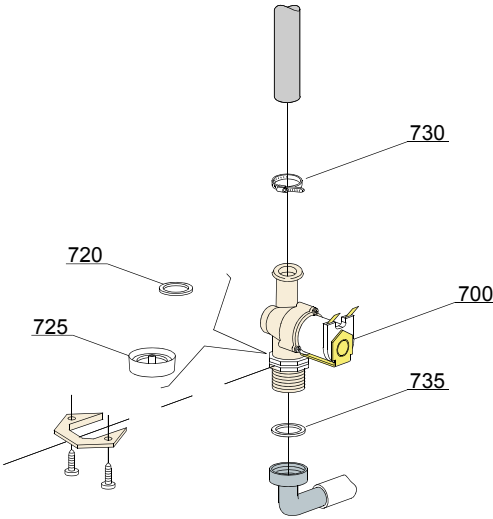
Spare parts

| ID | P-code | SN from | SN to | Mod. | Acces. | Volt | Description |
|---|----------|---------|-------|------|--------|------|--|
| Module:Electric control components | | | | | | | |
| 4600 | 10300123 | | - | i | | A | 90/180" timer - 230Vac 50Hz |
| 4600 | 30001028 | | - | i | | | 120/180" timer - 230Vac 60Hz |
| 4600 | 22011/A | | - | i | | A | 120/240" timer - 200Vac 50Hz |
| 4600 | 30001031 | | - | i | | A | 120/180" timer with thermostat - 230Vac 50Hz |
| 4600 | 30001032 | | - | i | | | 120/180" - 230V 60Hz timer with thermostat |
| 4600 | 30001030 | | - | i | | | 120/240" timer with thermostat - 230Vac 50Hz |
| 4605 | 15146 | | - | i | | | Low noise filter |
| 4605 | 15149 | | - | i | | | Low noise filter |
| 4605 | 15187 | | - | i | | | Low noise filter |
| 4610 | 10707/1 | | - | i | | | 0-90°C thermostat |
| 4615 | 500551 | | - | i | | | 6 poles terminal board |
| 4620 | 15086 | | - | i | | | Contactora 230V 50/60Hz 4C |
| 4620 | 15086/B | | - | i | | | Contactora 240V 50Hz |
| 4620 | 15086/T | | - | i | | | 200Vac3N 50/60HZ contactor |
| 4625 | 16047 | | - | i | | | 16A tripolar relay - 230Vac 50/60Hz |
| 4625 | 15620 | | - | i | ws | | 16A bipolar relay in deviation |
| 4630 | 16064/A | | - | i | ws | | Regeneration timer |
| 4635 | 560921 | | - | i | | | Electric components panel |
| 4640 | 15381 | | - | i | | | 160Va transformer 0-230-400-415-440/230V |
| 4645 | 15147 | | - | i | | | Fuse-holder |
| 4650 | 15163 | | - | i | | | Fuse (minimum 5 pieces) |
| 4651 | 50553 | | - | i | | | 3 times electronic timer with regeneration |

em=ELECTROMECHANICAL SWITCHES, uw=LOWER AND UPPER WASHING, i=INSULATED MODEL
29S=29S

bt=BREAK TANK, bp=BOOSTER PUMP, dvgw=DVGW, cr=COLD RINSE, ws=WATER SOFTNER, dd=DETERGENT DISPENSER, dp=DRAIN PUMP

A=3/N/PE~380-400V 50-60Hz, D=3/PE~200-210V 50-60Hz, F=2/PE~220-240V 50-60Hz, G=3/N/PE~415V 50-60Hz, H=3/PE~220-230V 50-60Hz, K=3/PE~380-400V 50-60Hz, L=3/PE~415V 50-60Hz, M=3/PE~440V 60Hz, P=1/N/PE~220-230V 50-60Hz, R=2/PE~220-240V 50-60Hz, U=1/N/PE~240V 50-60Hz, V=3/PE~240V 50-60Hz, W=1/N/PE~100-110V 50-60Hz



05_002_e

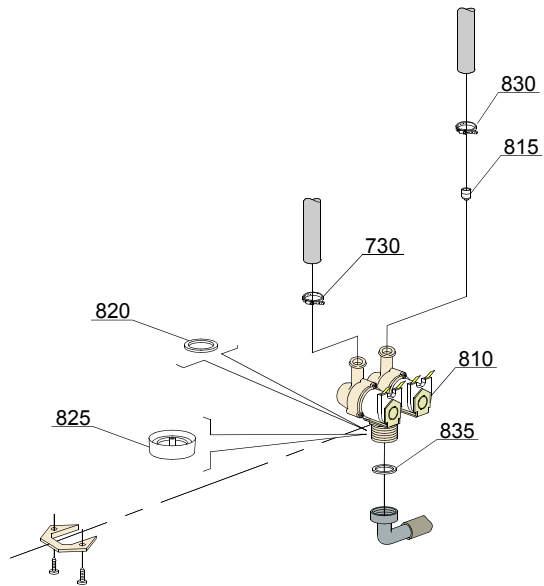
Spare parts

| ID | P-code | SN from | SN to | Mod. | Acces. | Volt | Description |
|------------------------------------|--------|---------|-------|------|--------|------|--------------------------------|
| Module:Solenoid valve group | | | | | | | |
| 700 | 10703 | | - | i,em | | | Single solenoid valve - 230Vac |
| 720 | N.C. | | - | i,em | | | Pression reducing valve |
| 730 | 11807 | | - | i,em | | | 12/22 clamp (minimum 3 pieces) |
| 735 | 13307 | | - | i,em | | | 3/4 gasket |

em=ELECTROMECHANICAL SWITCHES, uw=LOWER AND UPPER WASHING, i=INSULATED MODEL
29S=29S

bt=BREAK TANK, bp=BOOSTER PUMP, dvgw=DVGW, cr=COLD RINSE, ws=WATER SOFTNER, dd=DETERGENT DISPENSER, dp=DRAIN PUMP

A=3/N/PE~380-400V 50-60Hz, D=3/PE~200-210V 50-60Hz, F=2/PE~220-240V 50-60Hz, G=3/N/PE~415V 50-60Hz, H=3/PE~220-230V 50-60Hz, K=3/PE~380-400V 50-60Hz, L=3/PE~415V 50-60Hz, M=3/PE~440V 60Hz, P=1/N/PE~220-230V 50-60Hz, R=2/PE~220-240V 50-60Hz, U=1/N/PE~240V 50-60Hz, V=3/PE~240V 50-60Hz, W=1/N/PE~100-110V 50-60Hz



05_003_€

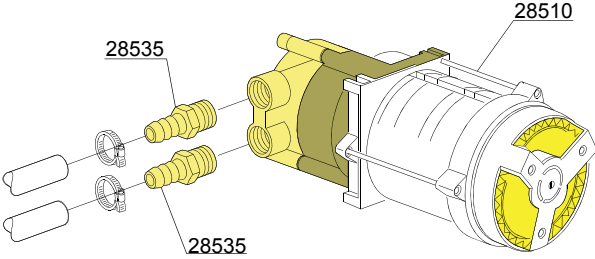
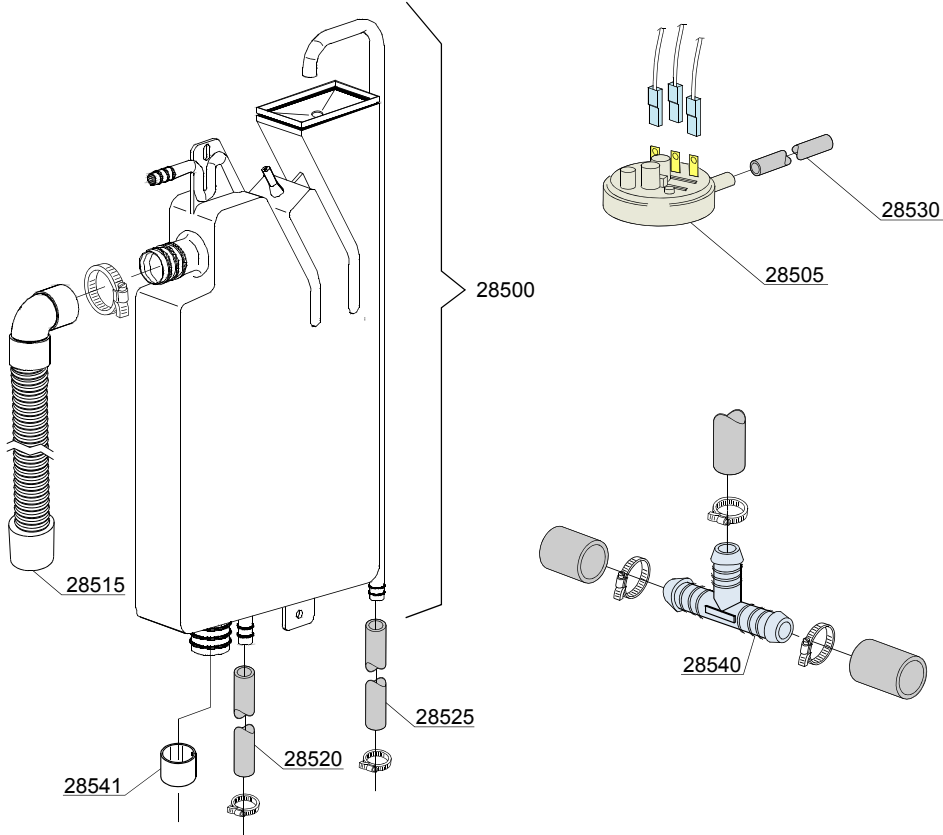
Spare parts

| ID | P-code | SN from | SN to | Mod. | Acces. | Volt | Description |
|------------------------------------|--------|---------|-------|------|--------|------|---|
| Module:Solenoid valve group | | | | | | | |
| 810 | 15098 | | - | i,em | cr,ws | | Double solenoid valve - Ø10 - 230Vac |
| 815 | 15115 | | - | i,em | cr,ws | | Green pression solenoid valve for regeneration (minimum 2 pieces) |
| 820 | N.C. | | - | i,em | cr,ws | | Pression reducing valve |
| 830 | 11807 | | - | i,em | | | 12/22 clamp (minimum 3 pieces) |
| 835 | 13307 | | - | i,em | | | 3/4 gasket |

em=ELECTROMECHANICAL SWITCHES, uw=LOWER AND UPPER WASHING, i=INSULATED MODEL
29S=29S

bt=BREAK TANK, bp=BOOSTER PUMP, dvgw=DVGW, cr=COLD RINSE, ws=WATER SOFTNER, dd=DETERGENT DISPENSER, dp=DRAIN PUMP

A=3/N/PE~380-400V 50-60Hz, D=3/PE~200-210V 50-60Hz, F=2/PE~220-240V 50-60Hz, G=3/N/PE~415V 50-60Hz, H=3/PE~220-230V 50-60Hz, K=3/PE~380-400V 50-60Hz, L=3/PE~415V 50-60Hz, M=3/PE~440V 60Hz, P=1/N/PE~220-230V 50-60Hz, R=2/PE~220-240V 50-60Hz, U=1/N/PE~240V 50-60Hz, V=3/PE~240V 50-60Hz, W=1/N/PE~100-110V 50-60Hz



06_004pe

Spare parts

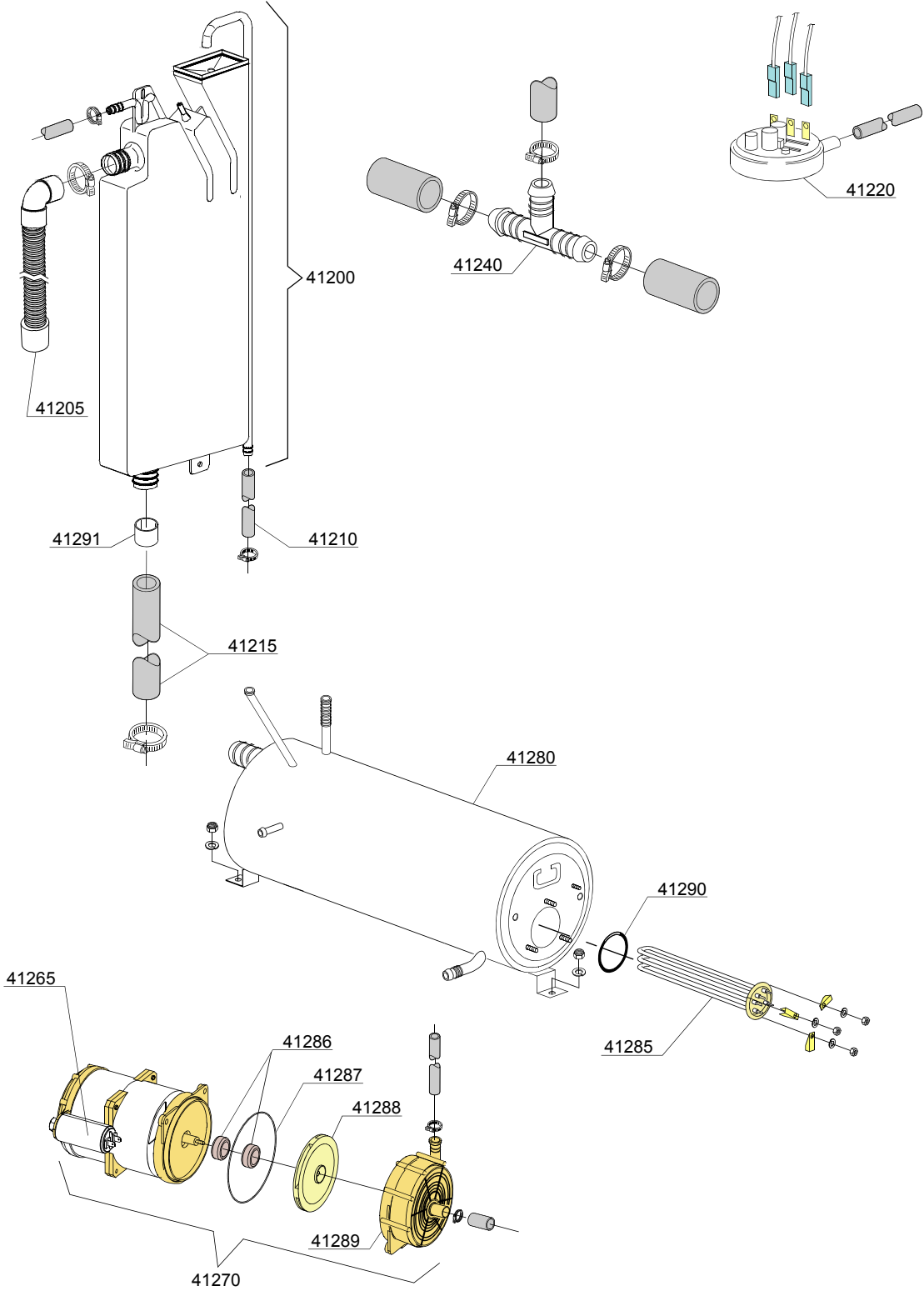
| ID | P-code | SN from | SN to | Mod. | Acces. | Volt | Description |
|--------------------------|----------|---------|-------|------|--------|------|---|
| Module:Break Tank | | | | | | | |
| 28500 | 15735 | | - | i,em | bt | | Break tank assembly |
| 28505 | 10706/A | | - | i,em | bt | | 47-27 pressure switch |
| 28510 | 15100/D | | - | i,em | bt | | Booster pump 220/240V - body pumps in brass |
| 28515 | 15722 | | - | i,em | bt | | BT middle pipe L=920 |
| 28520 | 2907350 | | - | i,em | bt | | 12x20 EPDM rubber hose |
| 28525 | 2907352 | | - | i,em | bt | | PVC WRAS rubber hose |
| 28530 | 14508 | | - | i,em | bt | | 4,5x9 EPDM rubber hose (minimum 2 mt) |
| 28535 | 10221311 | | - | i,em | bt | | Rubber holder Ø 12 3/8G |
| 28540 | 540098 | | | i,em | bt | | 3 ways D25 |

em=ELECTROMECHANICAL SWITCHES, uw=LOWER AND UPPER WASHING, i=INSULATED MODEL
29S=29S

bt=BREAK TANK, bp=BOOSTER PUMP, dvgw=DVGW, cr=COLD RINSE, ws=WATER SOFTNER, dd=DETERGENT DISPENSER, dp=DRAIN PUMP

A=3/N/PE~380-400V 50-60Hz, D=3/PE~200-210V 50-60Hz, F=2/PE~220-240V 50-60Hz, G=3/N/PE~415V 50-60Hz, H=3/PE~220-230V 50-60Hz, K=3/PE~380-400V 50-60Hz, L=3/PE~415V 50-60Hz, M=3/PE~440V 60Hz, P=1/N/PE~220-230V 50-60Hz, R=2/PE~220-240V 50-60Hz, U=1/N/PE~240V 50-60Hz, V=3/PE~240V 50-60Hz, W=1/N/PE~100-110V 50-60Hz

06_006ae



Spare parts

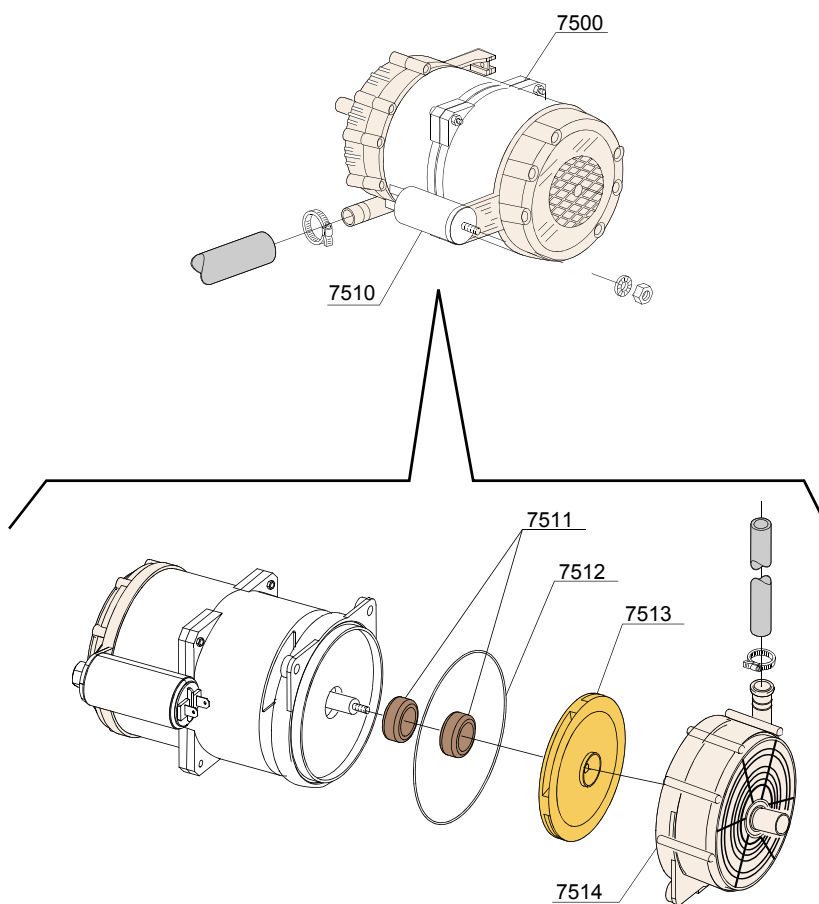
| ID | P-code | SN from | SN to | Mod. | Acces. | Volt | Description |
|--|----------|---------|-------|------|--------|------|--------------------------------------|
| Module: Rinse with steady temperature | | | | | | | |
| 41200 | 15720 | | - | i,em | | | Break tank assembly |
| 41205 | 15721 | | - | i,em | | | BT long pipe L=1070 |
| 41210 | 2907352 | | - | i,em | | | PVC WRAS rubber hose |
| 41215 | x | | - | i,em | | | Pipe coupling |
| 41220 | 10706/A | | - | i,em | | | 47-27 pressure switch |
| 41240 | 540098 | | - | i,em | | | 3 ways D25 |
| 41265 | 10702 | | - | i,em | | | 5 uF condenser |
| 41270 | 15100/DO | | - | i,em | | | Rinsing pump |
| 41275 | 10718 | | - | i,em | | | Pump pipe coupling |
| 41280 | 560062 | | - | i,em | | | Boiler |
| 41285 | 15089 | | - | i,em | | | Boiler Element 4,5KW 230 / 240 VaC 3 |
| 41285 | 15089/B | | - | i,em | | | Boiler Element 4,5KW 240 /440 V |
| 41285 | 15089/E | | - | i,em | | | Boiler Element 6KW 230 / 240 VaC 3 |
| 41286 | 15100/S | | - | i,em | | | Rotating seals |
| 41287 | 15100/T | | - | i,em | | | OR (O-ring) gasket EPDM |
| 41288 | 15100/U | | - | i,em | | | Pump rotor |
| 41289 | 15100/V | | - | i,em | | | Scroll |
| 41290 | 13015 | | - | i,em | | | OR (O-ring) 6225 gasket 160 NBR |

em=ELECTROMECHANICAL SWITCHES, uw=LOWER AND UPPER WASHING, i=INSULATED MODEL
29S=29S

bt=BREAK TANK, bp=BOOSTER PUMP, dvgw=DVGW, cr=COLD RINSE, ws=WATER SOFTNER, dd=DETERGENT DISPENSER, dp=DRAIN PUMP

A=3/N/PE~380-400V 50-60Hz, D=3/PE~200-210V 50-60Hz, F=2/PE~220-240V 50-60Hz, G=3/N/PE~415V 50-60Hz, H=3/PE~220-230V 50-60Hz, K=3/PE~380-400V 50-60Hz, L=3/PE~415V 50-60Hz, M=3/PE~440V 60Hz, P=1/N/PE~220-230V 50-60Hz, R=2/PE~220-240V 50-60Hz, U=1/N/PE~240V 50-60Hz, V=3/PE~240V 50-60Hz, W=1/N/PE~100-110V 50-60Hz

07_003_e



VERSIONE BREAK TANK / VERSIONE PLUS
BREAK TANK VERSION / SYSTEM PLUS VERSION
VERSION BREAK TANK / VERSION SISTEME PLUS

Spare parts

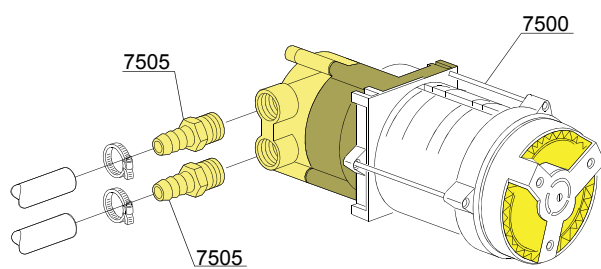
| ID | P-code | SN from | SN to | Mod. | Acces. | Volt | Description |
|----------------------------|----------|---------|-------|------|--------|------|---|
| Module:Booster pump | | | | | | | |
| 7500 | 15100/DO | | - | i,em | bp | | Booster pump 220/240V - body pumps in plastic |
| 7505 | 12013 | | - | i,em | bp | | Rubber-holder |
| 7510 | 10702 | | - | i,em | bp | | 5 uF condenser - 450V |
| 7511 | 15100/S | | | i,em | bp | | Rotating seals |
| 7512 | 15100/T | | | i,em | bp | | OR (O-ring) gasket EPDM |
| 7513 | 15100/U | | | i,em | bp | | Pump rotor |
| 7514 | 15100/V | | | i,em | bp | | Scroll |

em=ELECTROMECHANICAL SWITCHES, uw=LOWER AND UPPER WASHING, i=INSULATED MODEL
29S=29S

bt=BREAK TANK, bp=BOOSTER PUMP, dvgw=DVGW, cr=COLD RINSE, ws=WATER SOFTNER, dd=DETERGENT DISPENSER, dp=DRAIN PUMP

A=3/N/PE~380-400V 50-60Hz, D=3/PE~200-210V 50-60Hz, F=2/PE~220-240V 50-60Hz, G=3/N/PE~415V 50-60Hz, H=3/PE~220-230V 50-60Hz, K=3/PE~380-400V 50-60Hz, L=3/PE~415V 50-60Hz, M=3/PE~440V 60Hz, P=1/N/PE~220-230V 50-60Hz, R=2/PE~220-240V 50-60Hz, U=1/N/PE~240V 50-60Hz, V=3/PE~240V 50-60Hz, W=1/N/PE~100-110V 50-60Hz

07_003ae



VERSIONE STANDARD / VERSIONE POMPA AUM. PRESSIONE
STANDARD VERSION / BOOSTER PUMP VERSION
VERSION STANDARD / VERSION POMPE AUGMENT. PRESSION

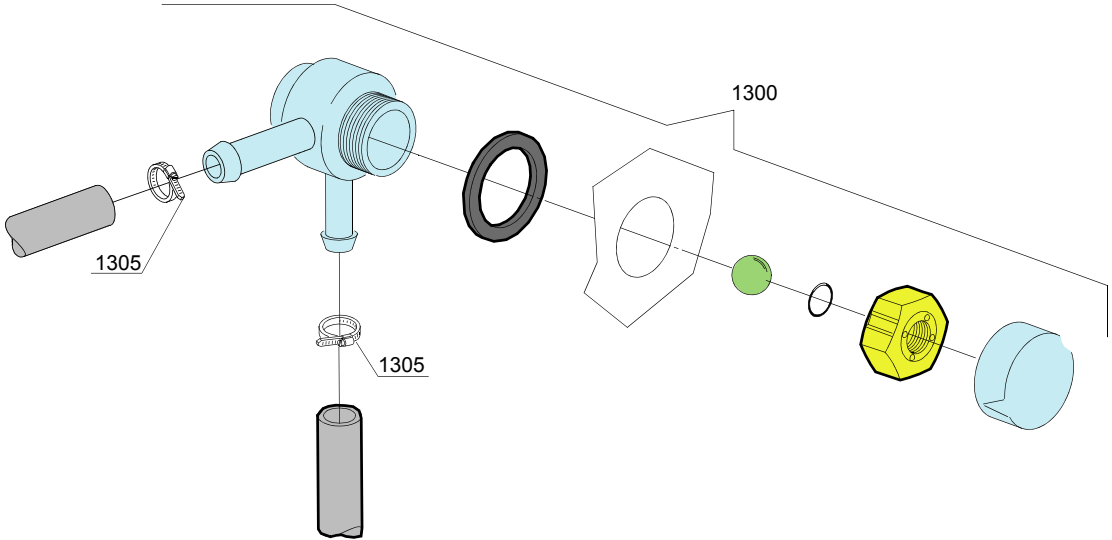
Spare parts

| ID | P-code | SN from | SN to | Mod. | Acces. | Volt | Description |
|----------------------------|----------|---------|-------|------|--------|------|---|
| Module:Booster pump | | | | | | | |
| 7500 | 15100/D | | - | i,em | bp | | Booster pump 220/240V - body pumps in plastic |
| 7505 | 10221311 | | - | i,em | bp | | Rubber holder Ø 12 3/8G |

em=ELECTROMECHANICAL SWITCHES, uw=LOWER AND UPPER WASHING, i=INSULATED MODEL
29S=29S

bt=BREAK TANK, bp=BOOSTER PUMP, dvgw=DVGW, cr=COLD RINSE, ws=WATER SOFTNER, dd=DETERGENT DISPENSER, dp=DRAIN PUMP

A=3/N/PE~380-400V 50-60Hz, D=3/PE~200-210V 50-60Hz, F=2/PE~220-240V 50-60Hz, G=3/N/PE~415V 50-60Hz, H=3/PE~220-230V 50-60Hz, K=3/PE~380-400V 50-60Hz, L=3/PE~415V 50-60Hz, M=3/PE~440V 60Hz, P=1/N/PE~220-230V 50-60Hz, R=2/PE~220-240V 50-60Hz, U=1/N/PE~240V 50-60Hz, V=3/PE~240V 50-60Hz, W=1/N/PE~100-110V 50-60Hz



Spare parts

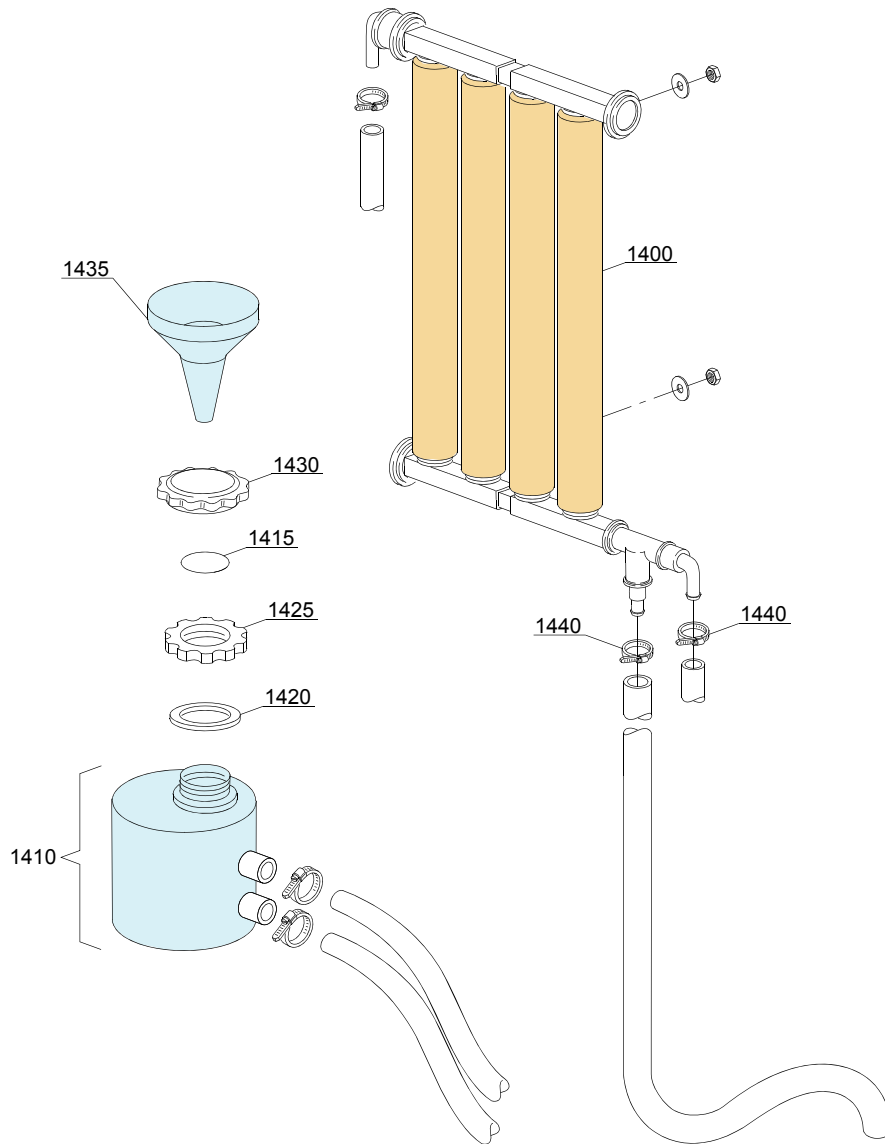
| ID | P-code | SN from | SN to | Mod. | Acces. | Volt | Description |
|--------------------|----------|---------|-------|------|--------|------|--------------------------------|
| Module:DVGW | | | | | | | |
| 1300 | 99900006 | | - | i,em | dvgw | | DVGW assembly |
| 1305 | 11807 | | - | i,em | dvgw | | 12/22 clamp (minimum 3 pieces) |

em=ELECTROMECHANICAL SWITCHES, uw=LOWER AND UPPER WASHING, i=INSULATED MODEL
29S=29S

bt=BREAK TANK, bp=BOOSTER PUMP, dvgw=DVGW, cr=COLD RINSE, ws=WATER SOFTNER, dd=DETERGENT DISPENSER, dp=DRAIN PUMP

A=3/N/PE~380-400V 50-60Hz, D=3/PE~200-210V 50-60Hz, F=2/PE~220-240V 50-60Hz, G=3/N/PE~415V 50-60Hz, H=3/PE~220-230V 50-60Hz, K=3/PE~380-400V 50-60Hz, L=3/PE~415V 50-60Hz, M=3/PE~440V 60Hz, P=1/N/PE~220-230V 50-60Hz, R=2/PE~220-240V 50-60Hz, U=1/N/PE~240V 50-60Hz, V=3/PE~240V 50-60Hz, W=1/N/PE~100-110V 50-60Hz

09_001_e



Spare parts

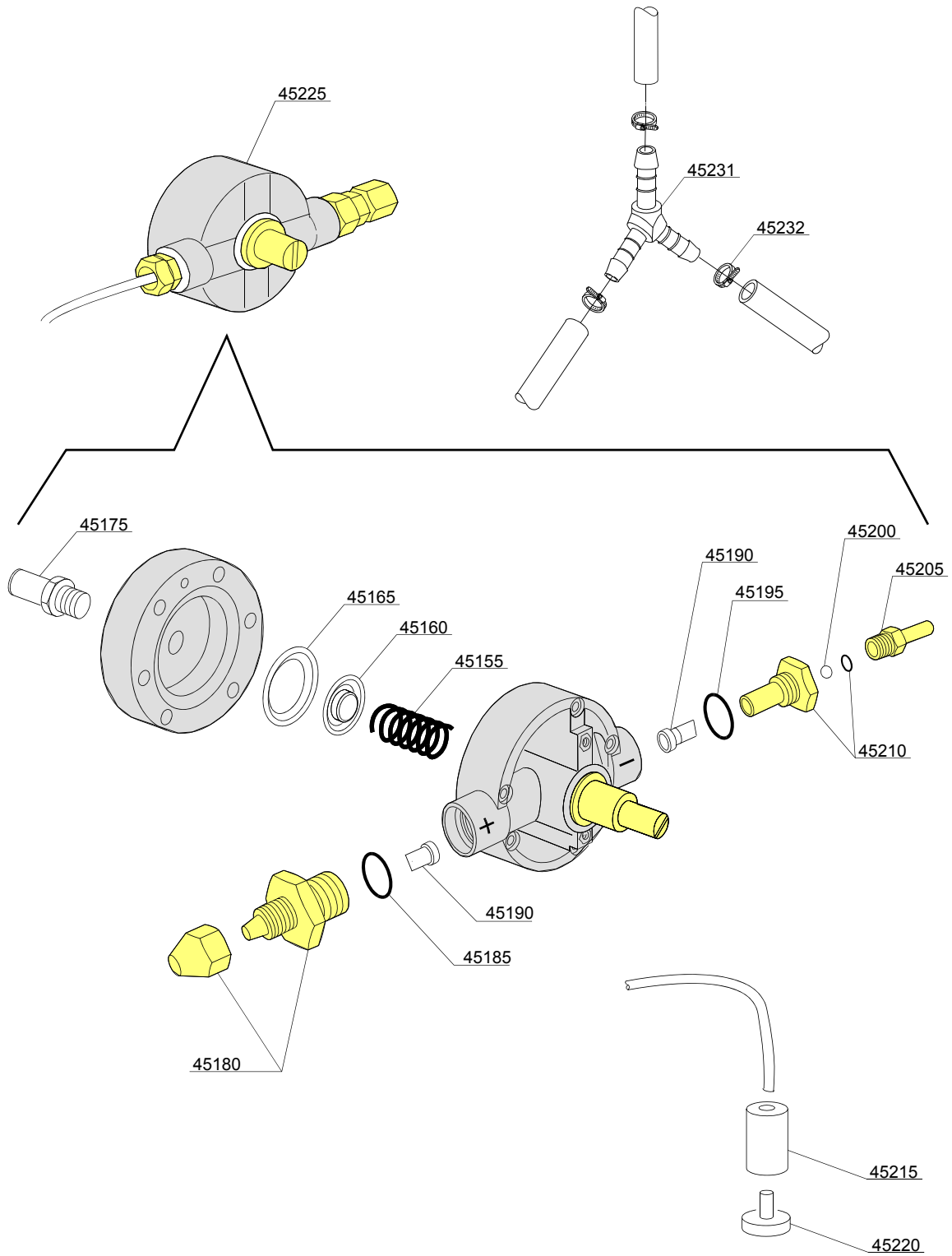
| ID | P-code | SN from | SN to | Mod. | Acces. | Volt | Description |
|------------------------------------|---------|---------|-------|------|--------|------|--------------------------------|
| Module: Water softner group | | | | | | | |
| 1400 | 16066 | | - | em | ws | | 4 elements water softner |
| 1410 | 16065 | | - | em | ws | | Salt container |
| 1415 | 16067/A | | - | em | ws | | OR O-ring |
| 1420 | 16067/B | | - | em | ws | | O-ring |
| 1425 | 16067/C | | - | em | ws | | Ring nut |
| 1430 | 16067/D | | - | em | ws | | Plug |
| 1435 | 16082 | | - | em | ws | | Funnel |
| 1440 | 11807 | | - | em | ws | | 12/22 clamp (minimum 3 pieces) |

em=ELECTROMECHANICAL SWITCHES, uw=LOWER AND UPPER WASHING, i=INSULATED MODEL
29S=29S

bt=BREAK TANK, bp=BOOSTER PUMP, dvgw=DVGW, cr=COLD RINSE, ws=WATER SOFTNER, dd=DETERGENT DISPENSER, dp=DRAIN PUMP

A=3/N/PE~380-400V 50-60Hz, D=3/PE~200-210V 50-60Hz, F=2/PE~220-240V 50-60Hz, G=3/N/PE~415V 50-60Hz, H=3/PE~220-230V 50-60Hz, K=3/PE~380-400V 50-60Hz, L=3/PE~415V 50-60Hz, M=3/PE~440V 60Hz, P=1/N/PE~220-230V 50-60Hz, R=2/PE~220-240V 50-60Hz, U=1/N/PE~240V 50-60Hz, V=3/PE~240V 50-60Hz, W=1/N/PE~100-110V 50-60Hz

10_001be



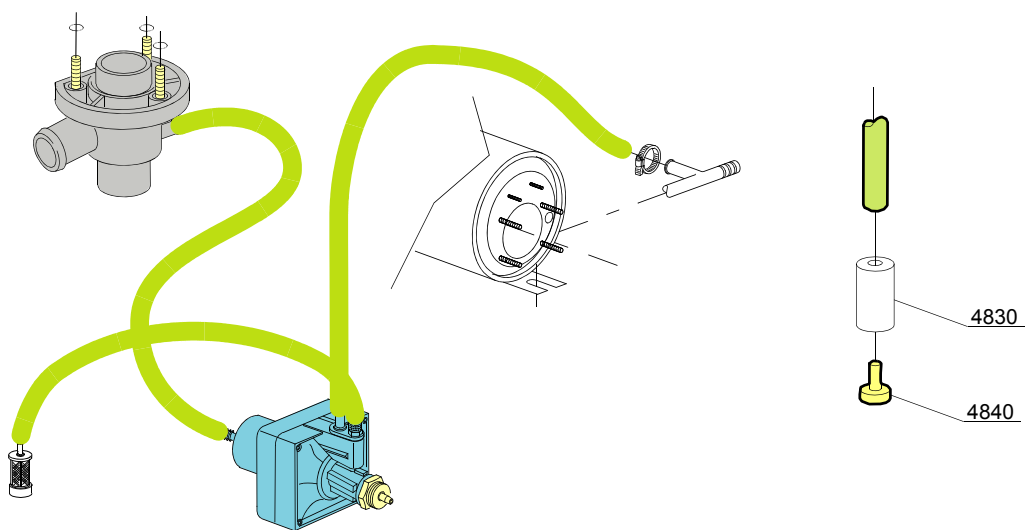
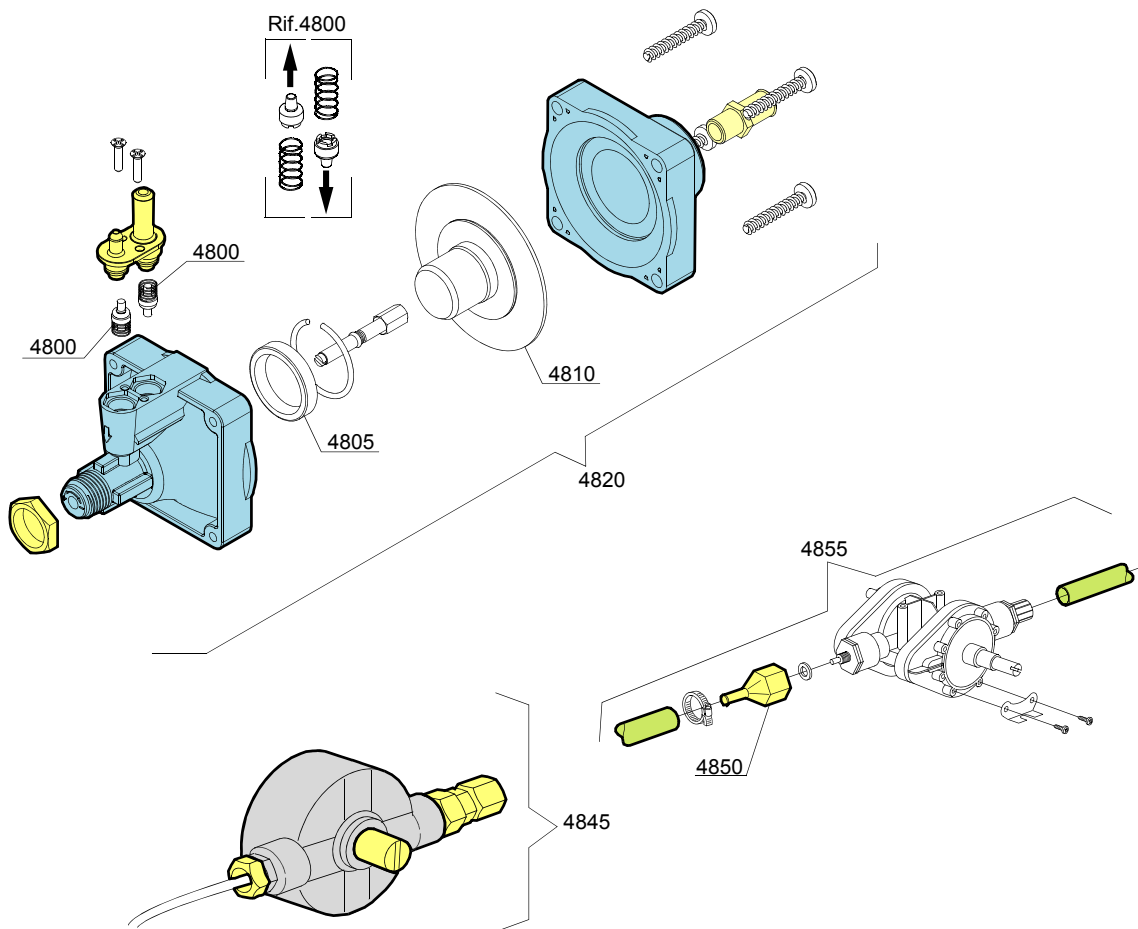
Spare parts

| ID | P-code | SN from | SN to | Mod. | Acces. | Volt | Description |
|--|---------|---------|-------|------|--------|------|--|
| Module: Rinse aid dispenser group | | | | | | | |
| 45155 | 10705/M | | - | i,em | | | Spring |
| 45160 | 10705/N | | - | i,em | | | Disc to membrane |
| 45165 | 10705/O | | - | i,em | | | Membrane |
| 45175 | 12506 | | - | i,em | | | Rubber-holder Ø 10mm |
| 45180 | 10705/G | | - | i,em | | | Pipe fitting |
| 45185 | 10705/C | | - | i,em | | | OR-gasket |
| 45190 | 10705/D | | - | i,em | | | Silicone valve |
| 45195 | 10705/C | | - | i,em | | | OR-gasket |
| 45200 | 10705/T | | - | i,em | | | Sphere made of Teflon |
| 45205 | 10705/R | | - | i,em | | | Brass pipe fitting |
| 45210 | 10705/E | | - | i,em | | | OR-gasket Guide valve |
| 45215 | 12525 | | - | i,em | | | Ballast |
| 45220 | 15058 | | - | i,em | | | Small filter (minimum 3 pieces) |
| 45225 | 10799/G | | - | i,em | | | GERMAC rinse aid dispenser |
| 45231 | 540091 | | - | i,em | | | Ø12 mm plastic 3 ways connection |
| 45231 | 540105 | | - | i,em | | | Ø10-12-12 mm plastic 3 ways connection |
| 45232 | 11807 | | - | i,em | | | Clamp 12-22 (minimum 3 pieces) |

em=ELECTROMECHANICAL SWITCHES, uw=LOWER AND UPPER WASHING, i=INSULATED MODEL
29S=29S

bt=BREAK TANK, bp=BOOSTER PUMP, dvgw=DVGW, cr=COLD RINSE, ws=WATER SOFTNER, dd=DETERGENT DISPENSER, dp=DRAIN PUMP

A=3/N/PE~380-400V 50-60Hz, D=3/PE~200-210V 50-60Hz, F=2/PE~220-240V 50-60Hz, G=3/N/PE~415V 50-60Hz, H=3/PE~220-230V 50-60Hz, K=3/PE~380-400V 50-60Hz, L=3/PE~415V 50-60Hz, M=3/PE~440V 60Hz, P=1/N/PE~220-230V 50-60Hz, R=2/PE~220-240V 50-60Hz, U=1/N/PE~240V 50-60Hz, V=3/PE~240V 50-60Hz, W=1/N/PE~100-110V 50-60Hz



10_004_e

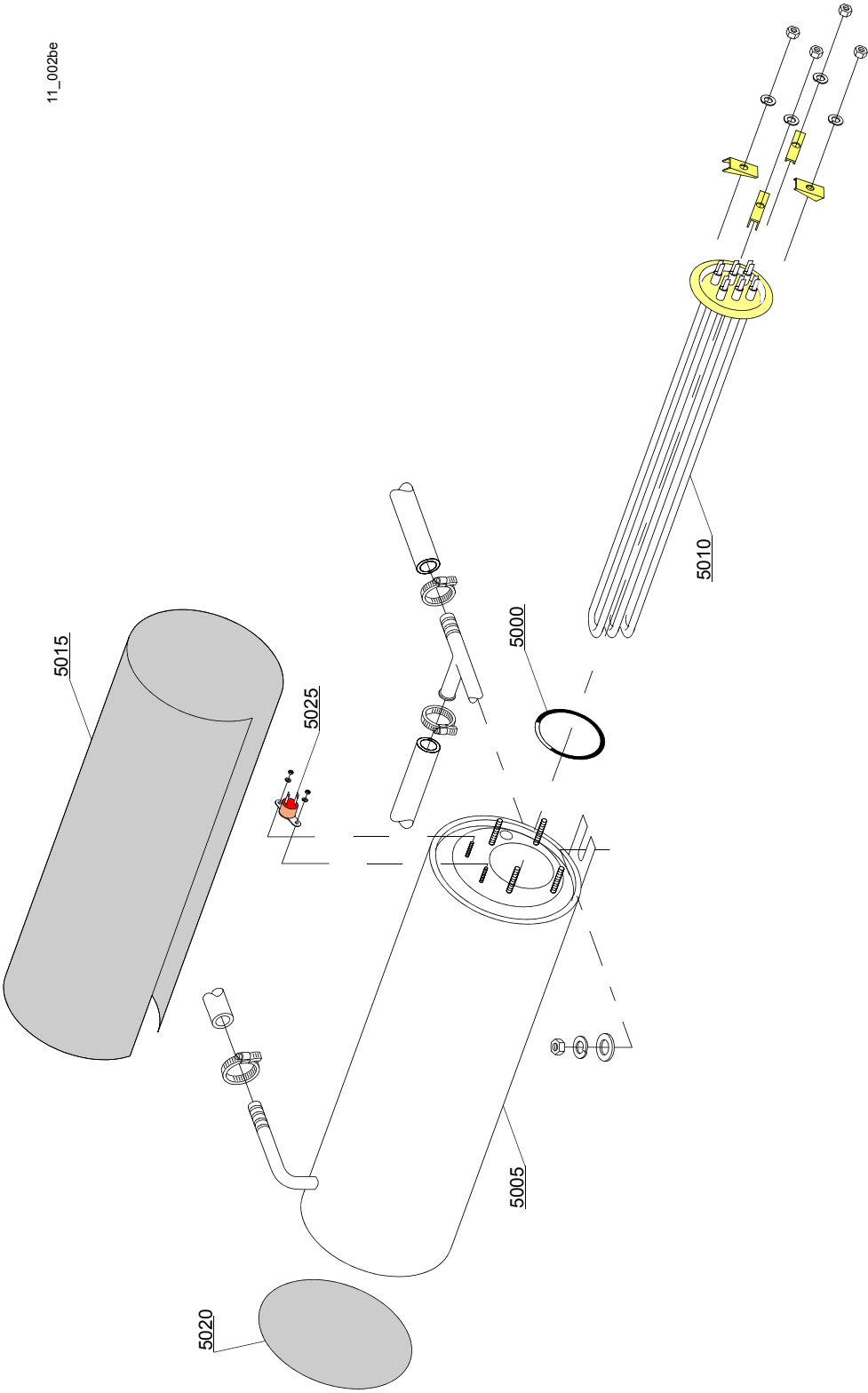
Spare parts

| ID | P-code | SN from | SN to | Mod. | Acces. | Volt | Description |
|--|---------|---------|-------|------|--------|------|---------------------------------|
| Module: Rinse aid dispenser group | | | | | | | |
| 4800 | 10805 | | - | em | | | Tecnopro non return valve |
| 4805 | 10806 | | - | em | | | Ø22 O-ring |
| 4810 | 10807 | | - | em | | | Membrane |
| 4820 | 10799 | | - | em | | | TECNO PRO rinse aid dispenser |
| 4830 | 12525 | | - | em | | | Ballast |
| 4840 | 15058 | | - | em | | | Small filter (minimum 3 pieces) |
| 4845 | 10799/G | | - | em | | | GERMAC rinse aid dispenser |
| 4850 | 10798/B | | - | em | | | Brass pipe fitting |
| 4855 | 10798 | | - | em | | | LANG rinse aid dispenser |

em=ELECTROMECHANICAL SWITCHES, uw=LOWER AND UPPER WASHING, i=INSULATED MODEL
29S=29S

bt=BREAK TANK, bp=BOOSTER PUMP, dvgw=DVGW, cr=COLD RINSE, ws=WATER SOFTNER, dd=DETERGENT DISPENSER, dp=DRAIN PUMP

A=3/N/PE~380-400V 50-60Hz, D=3/PE~200-210V 50-60Hz, F=2/PE~220-240V 50-60Hz, G=3/N/PE~415V 50-60Hz, H=3/PE~220-230V 50-60Hz, K=3/PE~380-400V 50-60Hz, L=3/PE~415V 50-60Hz, M=3/PE~440V 60Hz, P=1/N/PE~220-230V 50-60Hz, R=2/PE~220-240V 50-60Hz, U=1/N/PE~240V 50-60Hz, V=3/PE~240V 50-60Hz, W=1/N/PE~100-110V 50-60Hz



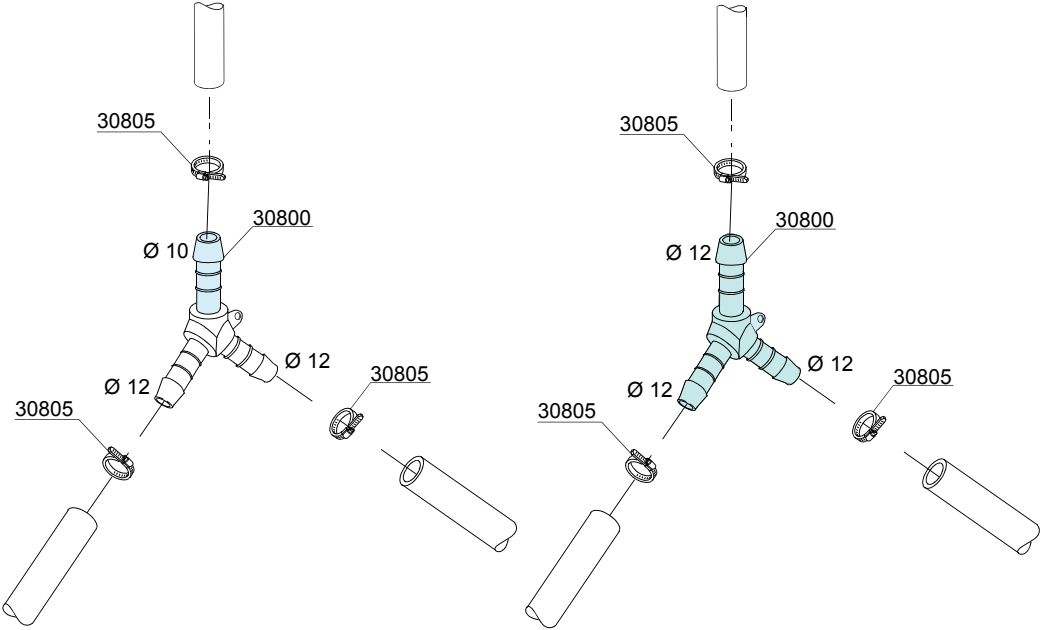
Spare parts

| ID | P-code | SN from | SN to | Mod. | Acces. | Volt | Description |
|----------------------------|---------|---------|-------|------|--------|------|---------------------------------------|
| Module:Boiler group | | | | | | | |
| 5000 | 13005 | | - | i,em | | | OR 151 NBR O-ring (minimum 5 pieces) |
| 5005 | 150905 | | - | i,em | | | Boiler |
| 5005 | 150917 | | - | i,em | | | AISI 314 boiler |
| 5010 | 15089 | | - | i,em | | | 4,5/4,9KW 230/240V 3 heating element |
| 5010 | 15089/B | | - | i,em | | | 4,5KW heating element - 254/440Vac |
| 5010 | 15089/E | | - | i,em | | | 6/6,53KW - 230/240V 3 heating element |
| 5015 | 15066 | | - | i,em | | | Insulation boiler |
| 5020 | 15205 | | - | i,em | | | Ø160 End piece (minimum 2 pieces) |
| 5025 | 15550 | | - | i,em | | | Safety thermostat |

em=ELECTROMECHANICAL SWITCHES, uw=LOWER AND UPPER WASHING, i=INSULATED MODEL
29S=29S

bt=BREAK TANK, bp=BOOSTER PUMP, dvgw=DVGW, cr=COLD RINSE, ws=WATER SOFTNER, dd=DETERGENT DISPENSER, dp=DRAIN PUMP

A=3/N/PE~380-400V 50-60Hz, D=3/PE~200-210V 50-60Hz, F=2/PE~220-240V 50-60Hz, G=3/N/PE~415V 50-60Hz, H=3/PE~220-230V 50-60Hz, K=3/PE~380-400V 50-60Hz, L=3/PE~415V 50-60Hz, M=3/PE~440V 60Hz, P=1/N/PE~220-230V 50-60Hz, R=2/PE~220-240V 50-60Hz, U=1/N/PE~240V 50-60Hz, V=3/PE~240V 50-60Hz, W=1/N/PE~100-110V 50-60Hz



12_003ae

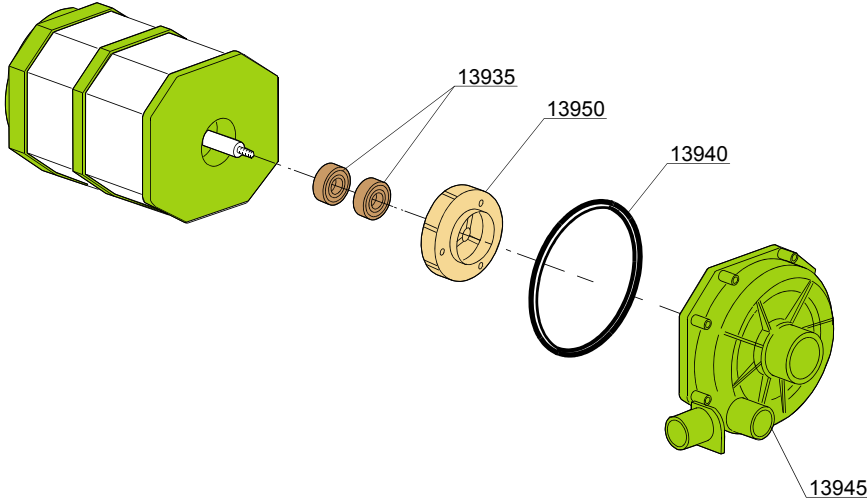
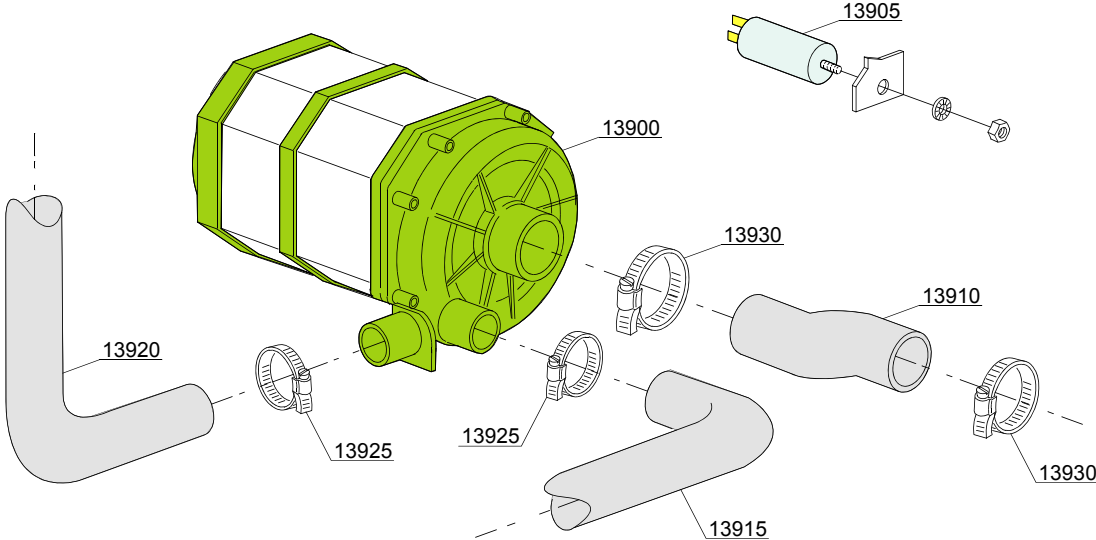
Spare parts

| ID | P-code | SN from | SN to | Mod. | Acces. | Volt | Description |
|---------------------------------|--------|---------|-------|------|--------|------|----------------------------------|
| Module:3 ways connection | | | | | | | |
| 30800 | 540091 | | - | i,em | | | Ø12 mm plastic 3 ways connection |
| 30805 | 11807 | | - | i,em | | | 12/22 clamp (minimum 3 pieces) |

em=ELECTROMECHANICAL SWITCHES, uw=LOWER AND UPPER WASHING, i=INSULATED MODEL
29S=29S

bt=BREAK TANK, bp=BOOSTER PUMP, dvgw=DVGW, cr=COLD RINSE, ws=WATER SOFTNER, dd=DETERGENT DISPENSER, dp=DRAIN PUMP

A=3/N/PE~380-400V 50-60Hz, D=3/PE~200-210V 50-60Hz, F=2/PE~220-240V 50-60Hz, G=3/N/PE~415V 50-60Hz,
H=3/PE~220-230V 50-60Hz, K=3/PE~380-400V 50-60Hz, L=3/PE~415V 50-60Hz, M=3/PE~440V 60Hz, P=1/N/PE~220-
230V 50-60Hz, R=2/PE~220-240V 50-60Hz, U=1/N/PE~240V 50-60Hz, V=3/PE~240V 50-60Hz, W=1/N/PE~100-110V
50-60Hz



13_110_e

Spare parts

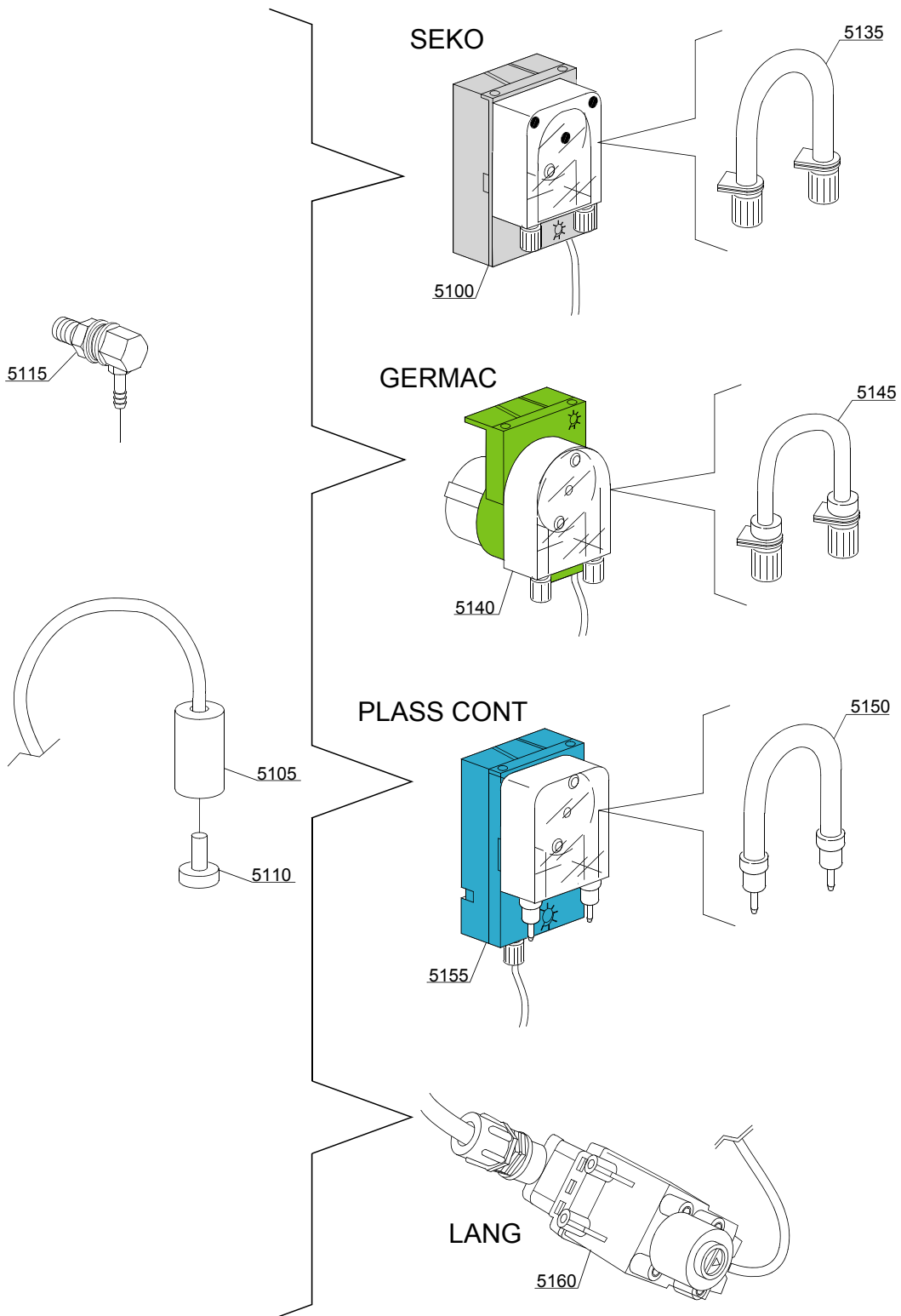
| ID | P-code | SN from | SN to | Mod. | Acces. | Volt | Description |
|--------------------------|----------|---------|-------|------|--------|------|-----------------------------------|
| Module: Wash pump | | | | | | | |
| 13900 | 150914 | | - | uw | | | 0,70Hp wash pump - 230Vac 50Hz |
| 13900 | 150915 | | - | uw | | | 0,70Hp wash pump - 230Vac 60Hz |
| 13905 | 15081 | | - | uw | | | 12,5 uF condenser |
| 13910 | 25032/A | | - | uw | | | Suction pipe coupling |
| 13915 | 150049 | | - | uw | | | Lower wash pipe coupling |
| 13920 | 150048/A | | - | uw | | | Wash ramp |
| 13925 | 11806 | | - | uw | | | 25/40 clamp (minimum 2 pieces) |
| 13930 | 11809 | | - | uw | | | 30/45 clamp (minimum 2 pieces) |
| 13935 | 15080 | | - | uw | | | Rotating seals |
| 13940 | 7130 | | - | uw | | | OR pump O-ring (minimum 2 pieces) |
| 13945 | 16182 | | - | uw | | | Scroll |
| 13950 | 15079/F | | - | uw | | | Pump rotor |

em=ELECTROMECHANICAL SWITCHES, uw=LOWER AND UPPER WASHING, i=INSULATED MODEL

29S=29S

bt=BREAK TANK, bp=BOOSTER PUMP, dvgw=DVGW, cr=COLD RINSE, ws=WATER SOFTNER, dd=DETERGENT DISPENSER, dp=DRAIN PUMP

A=3/N/PE~380-400V 50-60Hz, D=3/PE~200-210V 50-60Hz, F=2/PE~220-240V 50-60Hz, G=3/N/PE~415V 50-60Hz, H=3/PE~220-230V 50-60Hz, K=3/PE~380-400V 50-60Hz, L=3/PE~415V 50-60Hz, M=3/PE~440V 60Hz, P=1/N/PE~220-230V 50-60Hz, R=2/PE~220-240V 50-60Hz, U=1/N/PE~240V 50-60Hz, V=3/PE~240V 50-60Hz, W=1/N/PE~100-110V 50-60Hz



14_004_e

Spare parts

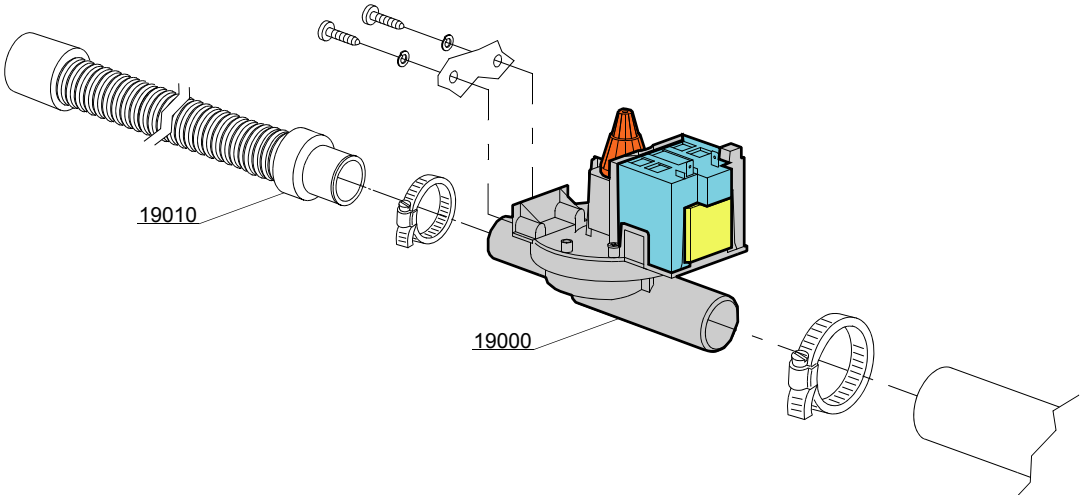
| ID | P-code | SN from | SN to | Mod. | Acces. | Volt | Description |
|--------------------------------------|---------|---------|-------|------|--------|------|----------------------------------|
| Module:Dosing detergent group | | | | | | | |
| 5100 | 15985 | | - | i,em | dd | | Seko detergent pump |
| 5105 | 12525 | | - | i,em | dd | | Ballast |
| 5110 | 15058 | | - | i,em | dd | | Small filter (minimum 3 pieces) |
| 5115 | 15123 | | - | i,em | dd | | Complet stainless steel injector |
| 5135 | 15185 | | - | i,em | dd | | Seko thermoplastic pipe |
| 5140 | 15985 | | - | i,em | dd | | Germac detergent pump |
| 5145 | 15108/E | | - | i,em | dd | | Germac thermoplastic pipe |
| 5150 | 15985/A | | | i,em | dd | | Plas Cont thermoplastic pipe |
| 5155 | 15985 | | | i,em | dd | | Plas Cont detergent pump |
| 5160 | 15108/L | | | i,em | dd | | LANG detergent pump |

em=ELECTROMECHANICAL SWITCHES, uw=LOWER AND UPPER WASHING, i=INSULATED MODEL
29S=29S

bt=BREAK TANK, bp=BOOSTER PUMP, dvgw=DVGW, cr=COLD RINSE, ws=WATER SOFTNER, dd=DETERGENT DISPENSER, dp=DRAIN PUMP

A=3/N/PE~380-400V 50-60Hz, D=3/PE~200-210V 50-60Hz, F=2/PE~220-240V 50-60Hz, G=3/N/PE~415V 50-60Hz, H=3/PE~220-230V 50-60Hz, K=3/PE~380-400V 50-60Hz, L=3/PE~415V 50-60Hz, M=3/PE~440V 60Hz, P=1/N/PE~220-230V 50-60Hz, R=2/PE~220-240V 50-60Hz, U=1/N/PE~240V 50-60Hz, V=3/PE~240V 50-60Hz, W=1/N/PE~100-110V 50-60Hz

15_002_e



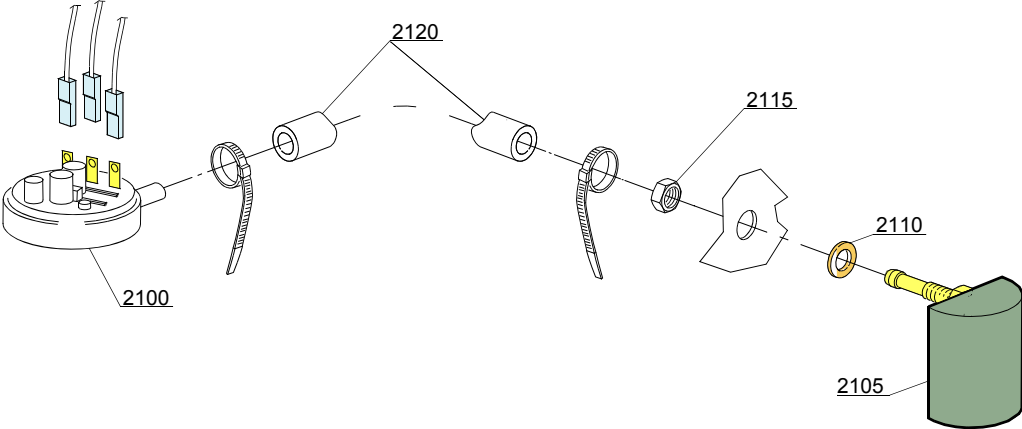
Spare parts

| ID | P-code | SN from | SN to | Mod. | Acces. | Volt | Description |
|---------------------------------|---------|---------|-------|------|--------|------|------------------------|
| Module: Drain pump group | | | | | | | |
| 19000 | 15101/A | | - | i,em | dp | A | Drain pump - 50Hz |
| 19000 | 15101/B | | - | i,em | dp | | Drain pump - 220V 60Hz |
| 19010 | 10727 | | - | i,em | dp | | Drain pipe |

em=ELECTROMECHANICAL SWITCHES, uw=LOWER AND UPPER WASHING, i=INSULATED MODEL
29S=29S

bt=BREAK TANK, bp=BOOSTER PUMP, dvgw=DVGW, cr=COLD RINSE, ws=WATER SOFTNER, dd=DETERGENT DISPENSER, dp=DRAIN PUMP

A=3/N/PE~380-400V 50-60Hz, D=3/PE~200-210V 50-60Hz, F=2/PE~220-240V 50-60Hz, G=3/N/PE~415V 50-60Hz, H=3/PE~220-230V 50-60Hz, K=3/PE~380-400V 50-60Hz, L=3/PE~415V 50-60Hz, M=3/PE~440V 60Hz, P=1/N/PE~220-230V 50-60Hz, R=2/PE~220-240V 50-60Hz, U=1/N/PE~240V 50-60Hz, V=3/PE~240V 50-60Hz, W=1/N/PE~100-110V 50-60Hz



16_001_e

Spare parts

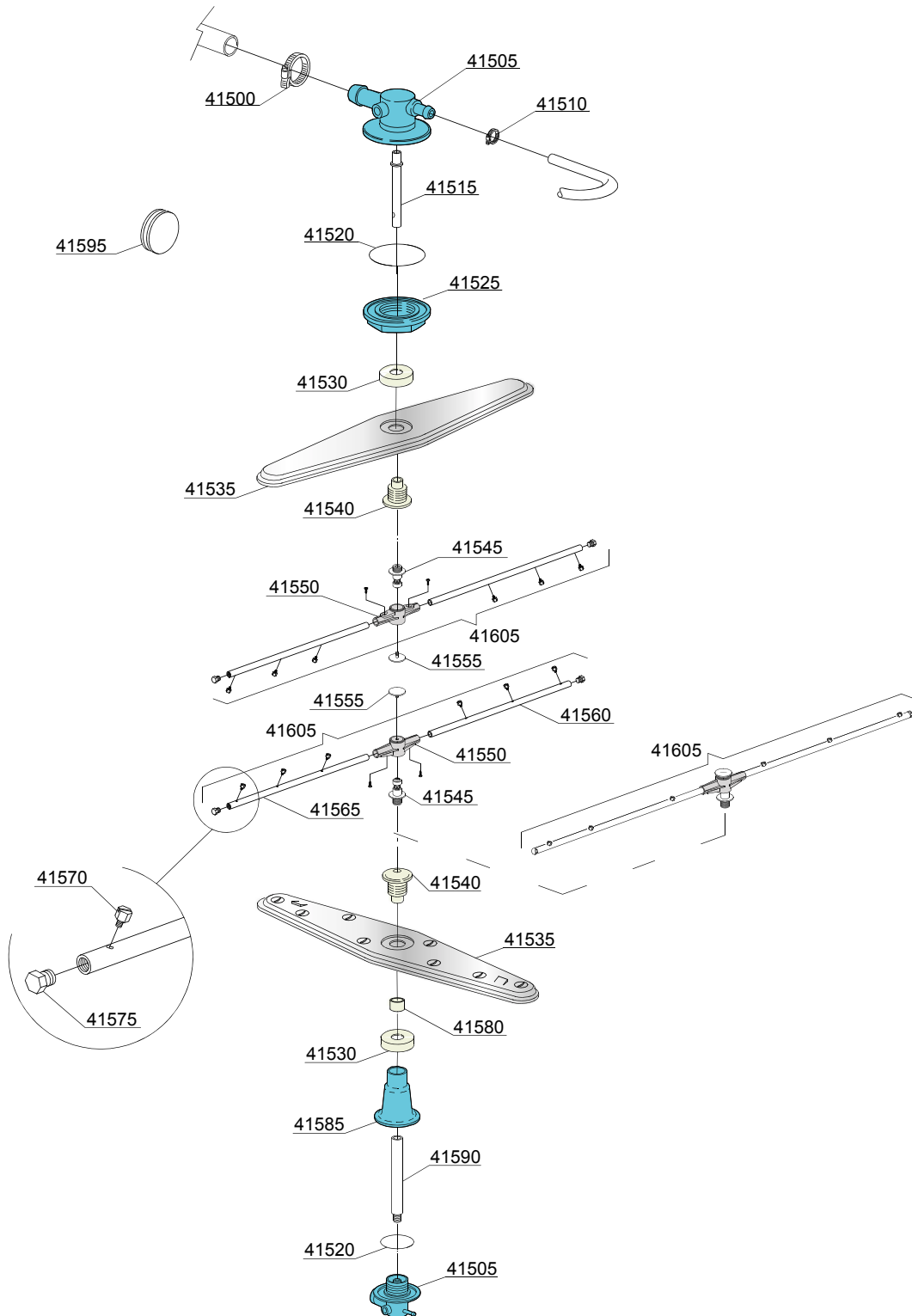
| ID | P-code | SN from | SN to | Mod. | Acces. | Volt | Description |
|---|----------|---------|-------|------|--------|------|--|
| Module:Pressure switch group with air trap | | | | | | | |
| 2100 | 10300026 | | - | i,em | | | 76-38 pressure switch |
| 2105 | 135911/D | 4020618 | - | i,em | | | Grey air trap assembly |
| 2110 | 13301 | | - | i,em | | | O-ring (minimum 10 pieces) - D14x8x1,5 |
| 2115 | 11702 | | - | i,em | | | M8 stainless steel nut (minimum 10 pieces) |
| 2120 | 14508 | | - | i,em | | | 4,5X9 EPDM rubber hose (minimum 2mt) |

em=ELECTROMECHANICAL SWITCHES, uw=LOWER AND UPPER WASHING, i=INSULATED MODEL

29S=29S

bt=BREAK TANK, bp=BOOSTER PUMP, dvgw=DVGW, cr=COLD RINSE, ws=WATER SOFTNER, dd=DETERGENT DISPENSER, dp=DRAIN PUMP

A=3/N/PE~380-400V 50-60Hz, D=3/PE~200-210V 50-60Hz, F=2/PE~220-240V 50-60Hz, G=3/N/PE~415V 50-60Hz, H=3/PE~220-230V 50-60Hz, K=3/PE~380-400V 50-60Hz, L=3/PE~415V 50-60Hz, M=3/PE~440V 60Hz, P=1/N/PE~220-230V 50-60Hz, R=2/PE~220-240V 50-60Hz, U=1/N/PE~240V 50-60Hz, V=3/PE~240V 50-60Hz, W=1/N/PE~100-110V 50-60Hz



17_127_e

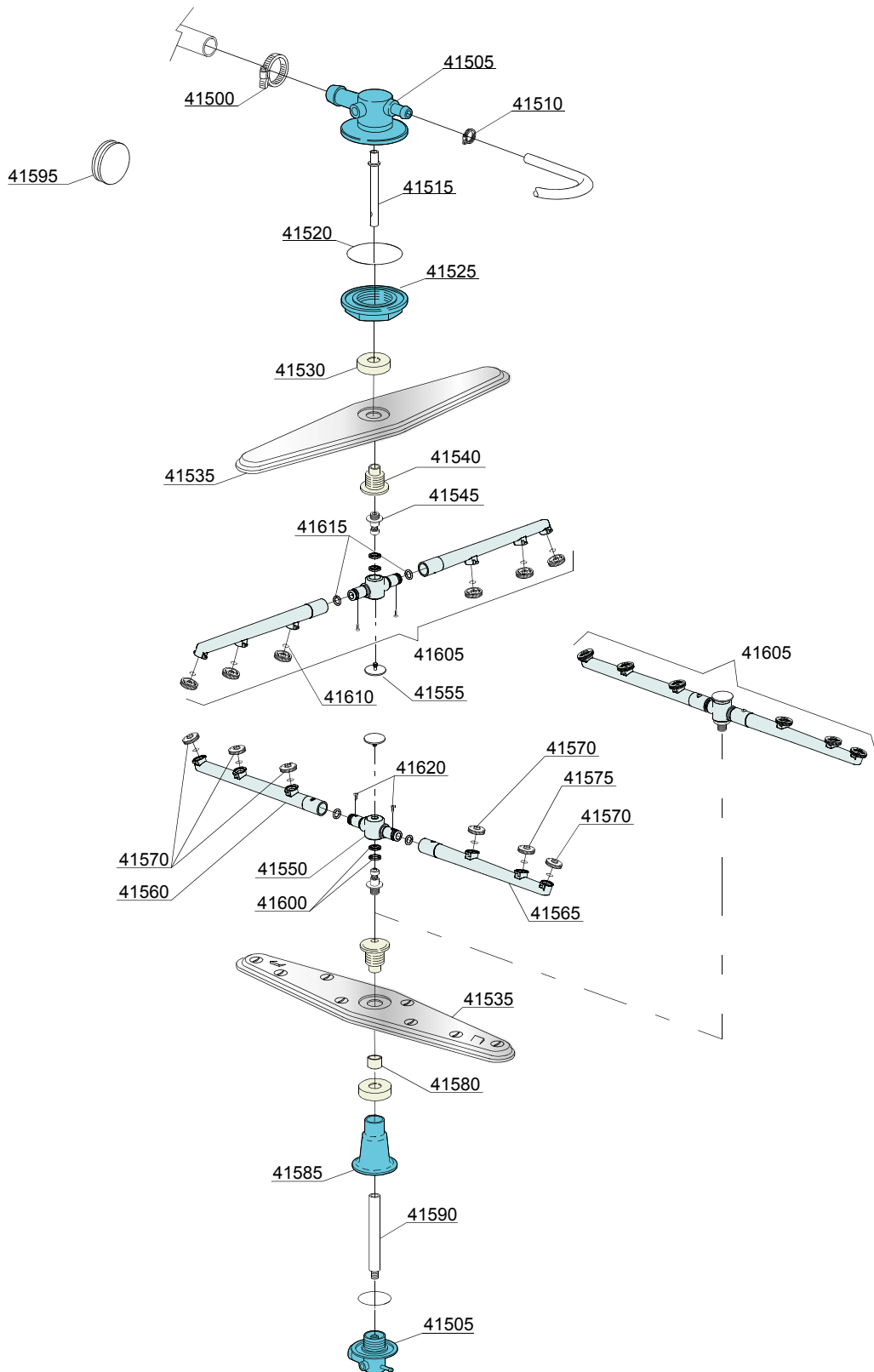
Spare parts

| ID | P-code | SN from | SN to | Mod. | Acces. | Volt | Description |
|---|---------|---------|-------|------|--------|------|--|
| Module:Turret group with rotating arms | | | | | | | |
| 41500 | 11806 | | - | uw | | | 25/40 clamp (minimum 2 pieces) |
| 41505 | 500612 | | - | uw | | | Top/lower turret |
| 41510 | 11807 | | - | uw | | | 12/22 clamp (minimum 3 pieces) |
| 41515 | 500703 | | - | uw | | | Upper rinse axle extension |
| 41520 | 13015 | | - | uw | | | 6225 OR 160 NBR O-ring (minimum 5 pieces) |
| 41525 | 500623 | | - | uw | | | Ring nut for fixing turret |
| 41530 | 500702 | | - | uw | | | Nut for wash arm bearing 05 (inox rinse arm) |
| 41535 | 500700 | | - | uw | | | Stainless steel wash rotor |
| 41540 | 500701 | | - | uw | | | Hub for rotor (inox rinse arm) |
| 41545 | 10651 | | - | uw | | | Rinse axle |
| 41550 | 10650 | | - | uw | | | Rinse arm |
| 41555 | 10652 | | - | uw | | | Rinse arm screw |
| 41560 | 10657 | | - | uw | | | Right rinse arm - stainless steel nozzle |
| 41565 | 10658 | | - | uw | | | Left rinse arm - stainless steel nozzle |
| 41570 | 560018 | | - | uw | | | Stainless steel rinse nozzle |
| 41575 | 560017 | | - | uw | | | Rinse arm plug |
| 41580 | 550220 | | - | uw | | | Hub rotor/pipe coupling spacer |
| 41585 | 500706 | | - | uw | | | Lower pipe coupling |
| 41590 | 500705 | | - | uw | | | Rinse lower distributor connection axle |
| 41595 | 13316/A | | - | uw | | | DVGW hole O-ring |
| 41605 | 75918 | | - | uw | | | Top/lower rinse arm complete |

em=ELECTROMECHANICAL SWITCHES, uw=LOWER AND UPPER WASHING, i=INSULATED MODEL
29S=29S

bt=BREAK TANK, bp=BOOSTER PUMP, dvgw=DVGW, cr=COLD RINSE, ws=WATER SOFTNER, dd=DETERGENT DISPENSER, dp=DRAIN PUMP

A=3/N/PE~380-400V 50-60Hz, D=3/PE~200-210V 50-60Hz, F=2/PE~220-240V 50-60Hz, G=3/N/PE~415V 50-60Hz, H=3/PE~220-230V 50-60Hz, K=3/PE~380-400V 50-60Hz, L=3/PE~415V 50-60Hz, M=3/PE~440V 60Hz, P=1/N/PE~220-230V 50-60Hz, R=2/PE~220-240V 50-60Hz, U=1/N/PE~240V 50-60Hz, V=3/PE~240V 50-60Hz, W=1/N/PE~100-110V 50-60Hz



17_127be

Spare parts

| ID | P-code | SN from | SN to | Mod. | Acces. | Volt | Description |
|---|---------|---------|-------|------|--------|------|--|
| Module:Turret group with rotating arms | | | | | | | |
| 41500 | 11806 | | - | uw | | | 25/40 clamp (minimum 2 pieces) |
| 41505 | 500612 | | - | uw | | | Top/lower turret |
| 41510 | 11807 | | - | uw | | | 12/22 clamp (minimum 3 pieces) |
| 41515 | 500703 | | - | uw | | | Upper rinse axle extension |
| 41520 | 13015 | | - | uw | | | 6225 OR 160 NBR O-ring (minimum 5 pieces) |
| 41525 | 500623 | | - | uw | | | Ring nut for fixing turret |
| 41530 | 500702 | | - | uw | | | Nut for wash arm bearing 05 (inox rinse arm) |
| 41535 | 500700 | | - | uw | | | Stainless steel wash rotor |
| 41540 | 500701 | | - | uw | | | Hub for rotor (inox rinse arm) |
| 41545 | 10651 | | - | uw | | | Rinse axle |
| 41550 | 75920/A | | - | uw | | | Rinse arm |
| 41555 | 10652 | | - | uw | | | Rinse arm screw |
| 41560 | 75920/D | | - | uw | | | Right rinse arm - stainless steel nozzle |
| 41565 | 75920/S | | - | uw | | | Left rinse arm - stainless steel nozzle |
| 41570 | 10371 | | - | uw | | | Open rinse nozzle |
| 41575 | 10372 | | - | uw | | | Closed rinse nozzle |
| 41580 | 550220 | | - | uw | | | Hub rotor/pipe coupling spacer |
| 41585 | 500706 | | - | uw | | | Lower pipe coupling |
| 41590 | 500705 | | - | uw | | | Rinse lower distributor connection axle |
| 41595 | 13316/A | | - | uw | | | DVGW hole O-ring |
| 41600 | 75920/B | | - | uw | | | O ring for hub (rinse arm) |
| 41605 | 75920 | | - | uw | | | Top/lower rinse arm complete |
| 41610 | 13002 | | - | uw | | | OR R6 NBR O-ring (minimum 10 pieces) |
| 41615 | 13002 | | - | uw | | | OR R6 NBR O-ring (minimum 10 pieces) |
| 41620 | 11004 | | - | uw | | | 4x10 TCB Ø8 spax toothed screw |

em=ELECTROMECHANICAL SWITCHES, uw=LOWER AND UPPER WASHING, i=INSULATED MODEL
29S=29S

bt=BREAK TANK, bp=BOOSTER PUMP, dvgw=DVGW, cr=COLD RINSE, ws=WATER SOFTNER, dd=DETERGENT DISPENSER, dp=DRAIN PUMP

A=3/N/PE~380-400V 50-60Hz, D=3/PE~200-210V 50-60Hz, F=2/PE~220-240V 50-60Hz, G=3/N/PE~415V 50-60Hz, H=3/PE~220-230V 50-60Hz, K=3/PE~380-400V 50-60Hz, L=3/PE~415V 50-60Hz, M=3/PE~440V 60Hz, P=1/N/PE~220-230V 50-60Hz, R=2/PE~220-240V 50-60Hz, U=1/N/PE~240V 50-60Hz, V=3/PE~240V 50-60Hz, W=1/N/PE~100-110V 50-60Hz