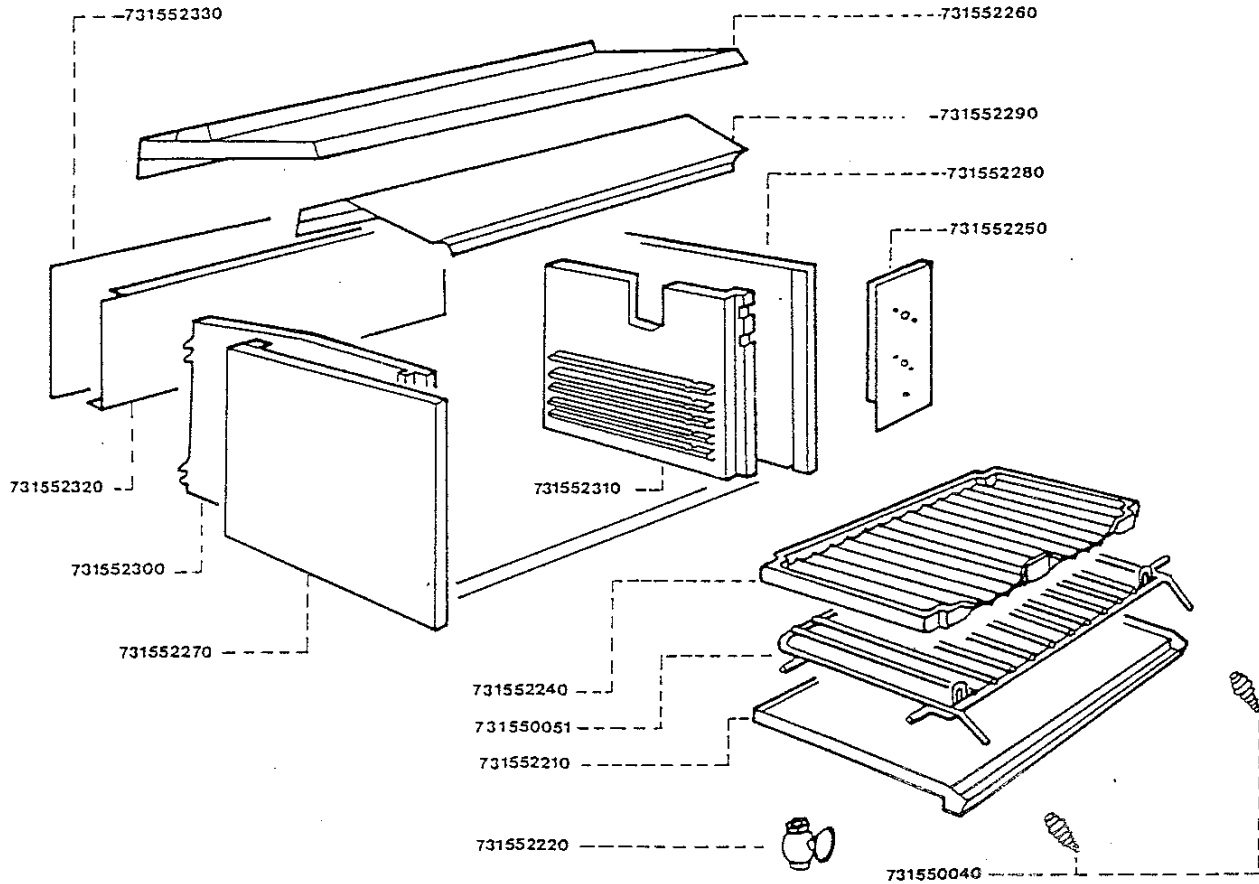


E1522 STEAKHOUSE GRILL

GRILL FITMENTS



Code No.	Description
3B 731550040	Handle for Grid/Carrier.
12F 731550051	Grid/Carrier Wire only.
2G 731550110	Grid/Carrier c/w handles (not illustrated).
1G 731552210	Drip Tray.
5D 731552220	Drain Cock.
10G 731552230	Drip Tray complete (not illustrated).
9H 731552240	Brander.
12C 731552250	Control Panel.
6H 731552260	Outer Top Panel.
3E 731552270	Outer Side Panel — Left Hand.
6E 731552280	Outer Side Panel — Right Hand.
10E 731552290	Reflector Plate.
7E 731552300	Inner Side Panel — Left Hand.
10E 731552310	Inner Side Panel — Right Hand.
12E 731552320	Inner Back Panel.
2E 731552330	Outer Back Panel.

Sheet Reference Number

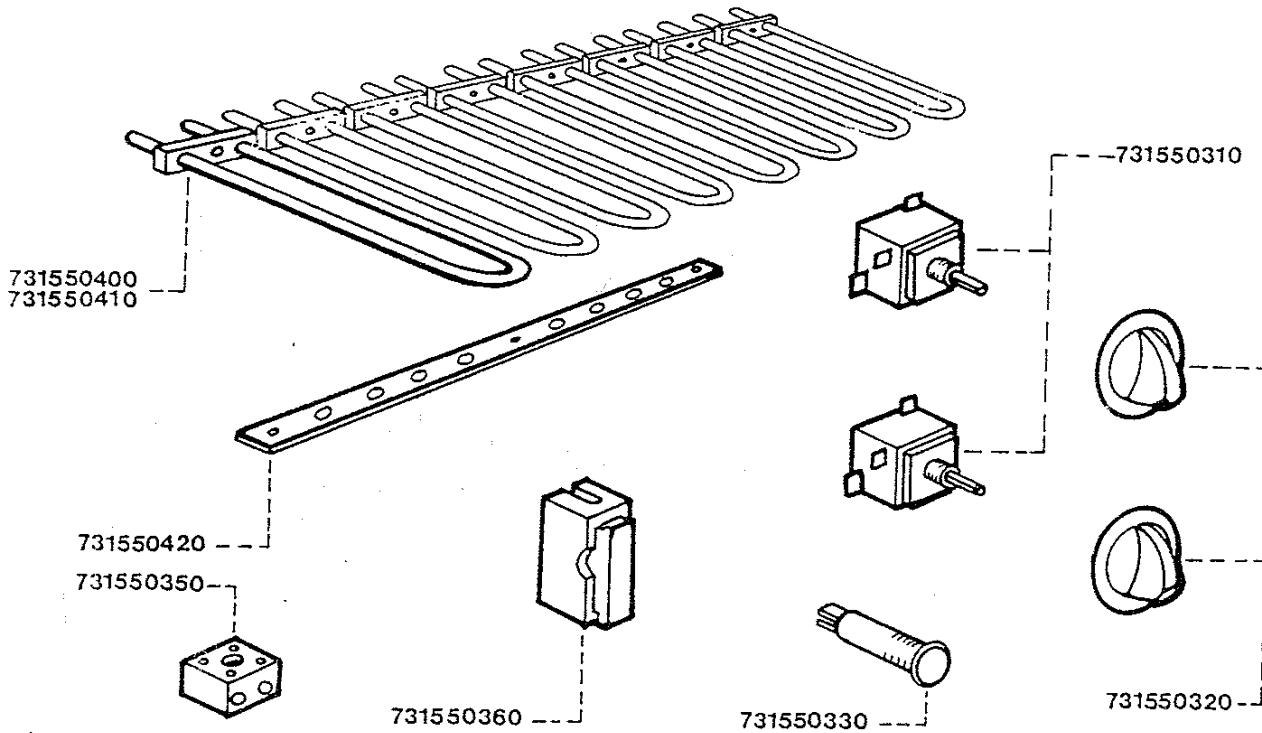
E1500/0884/011

**Falcon Catering
Equipment**
Commercial and institutional
catering equipment

GA Falcon Catering Equipment is a
business name of
Clywedd Consumer & Building Products Ltd
a member of the
Clywedd International plc
group of companies

E1522 STEAKHOUSE GRILL

GRILL CONTROLS



Code No.	Description
11E 731550300	3 Heat Control Switch c/w knob (not illustrated).
7E 731550310	3 Heat Control Switch.
6B 731550320	Control Knob.
7B 731550330	Indicator Lamp - Red.
6B 731550350	Terminal Block.
11B 731550360	Kantark Fuse 20A.
3E 731550400	Element 240V.
3E 731550410	Element 220V.
9C 731550420	Bus Bar.

731552340 - Arrow to Ego Switch Conversion E1522/21

Sheet Reference Number

E1500/0884/012

**Falcon Catering
Equipment**
Commercial and institutional
catering equipment



Falcon Catering Equipment is a
business name of
Glynwed Consumer & Building Products Ltd
a member of the
Glynwed International plc
group of companies