

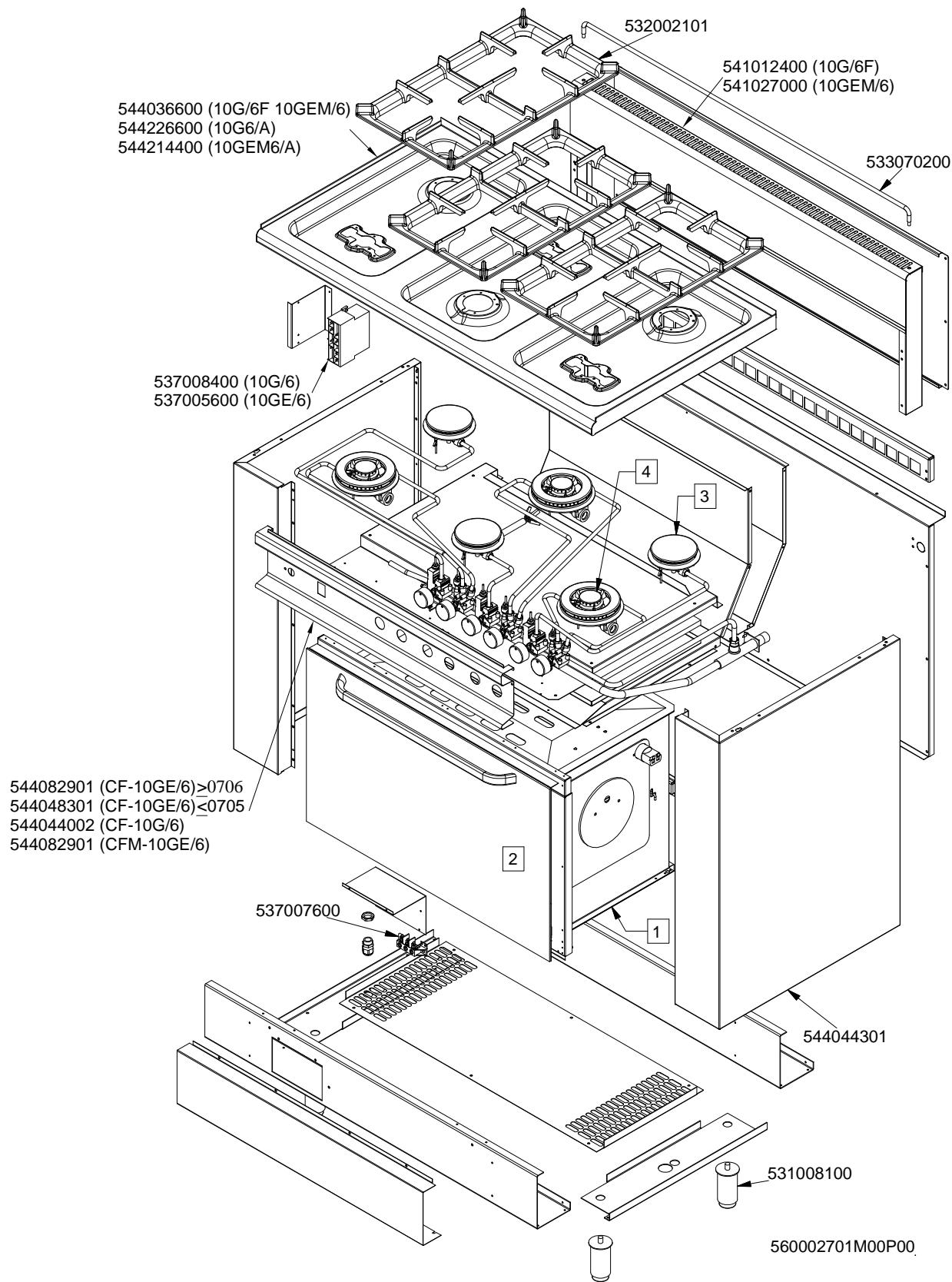
MAGIC SNACK 60

CUCINE / RANGES / HERDE / CUISINIÈRES / N° ≥0310

CF-10/6

CF-10G/6F CF-10G6/A CF-10GEM/6 CF-10GEM6/A CFM-10GEM/6 CFM-10GEM6/A

	1CF-10GE/6	1CFM-10GE/6	1CF-10G/6	2	3	4
Vedi Pagina See Page Siehe Seite Voir Page Ver Página	120	122	124	126	133	134

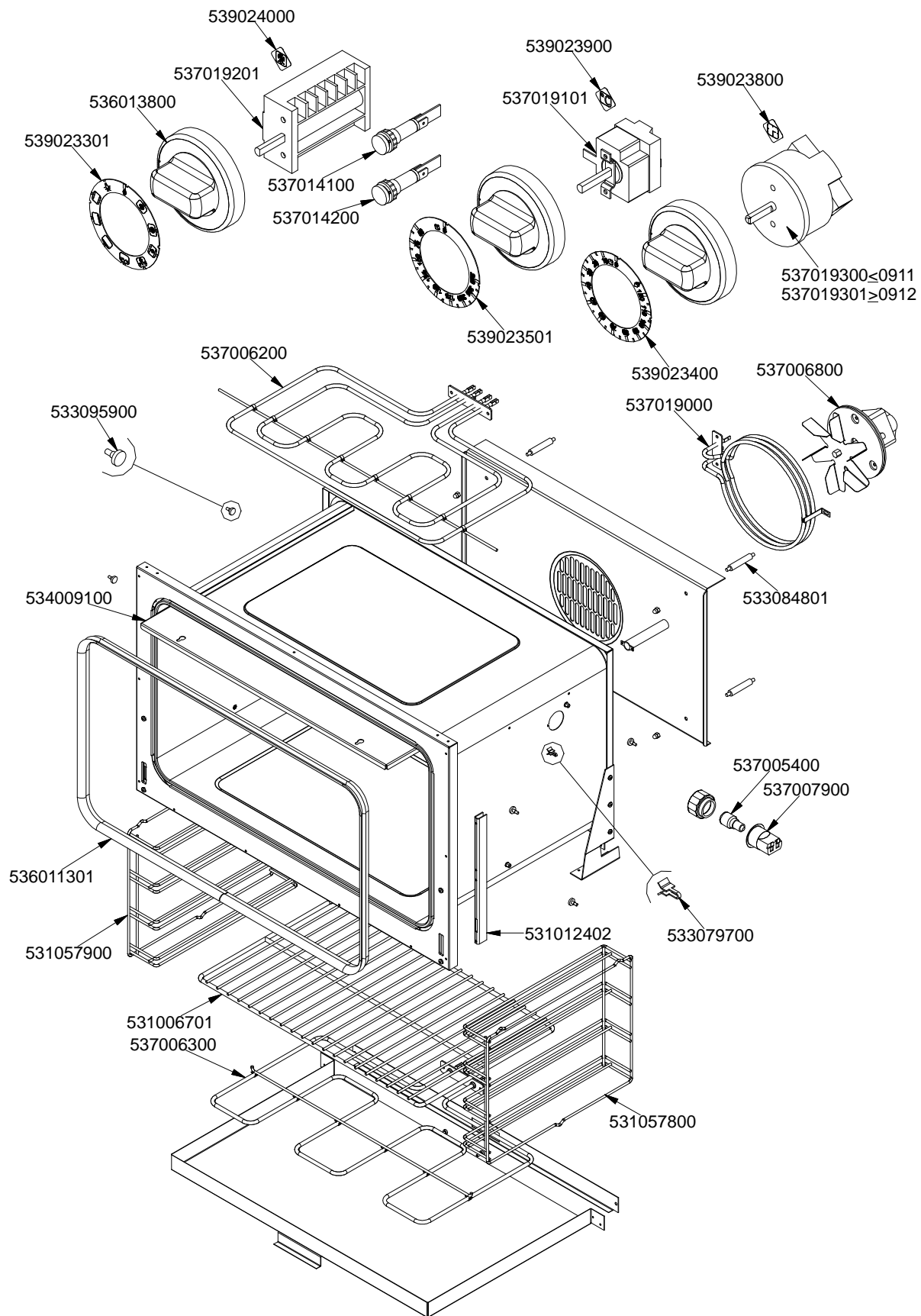


MAGIC SNACK 60

CUCINE / RANGES / HERDE / CUISINIÈRES / N° ≥0310

FORNO / OVEN / BACKOFEN / FOUR / CF-8 10 10/6

ELETTORICO MULTIFUNZIONE / MULTIFUNCTION ELECTRIC / MULTIFUNKTIONS
ELEKTRO / ELECTRIQUE A FONCTIONS MULTIPLES ≥0706



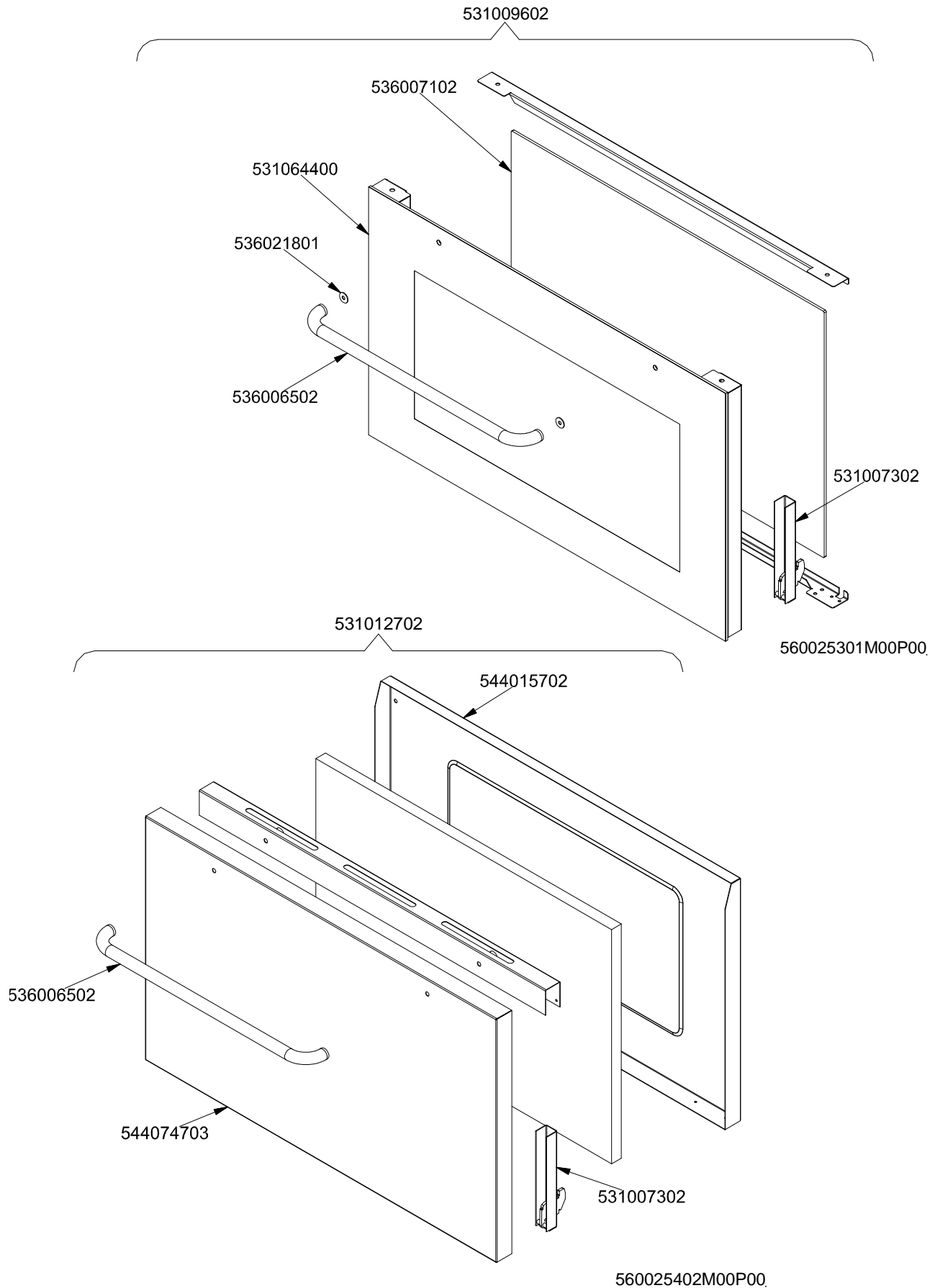
560003802M00P00.

MAGIC SNACK 60

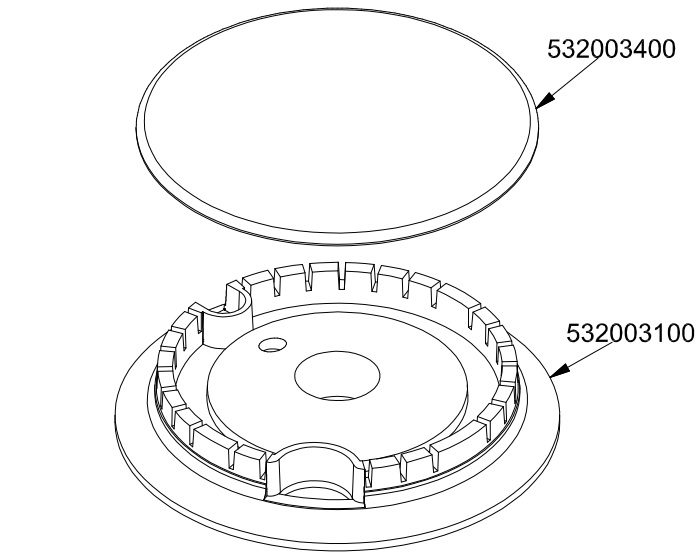
CUCINE / RANGES / HERDE / CUISINIÈRES / N° ≥ 0310

FORNO / OVEN / BACKOFEN / FOUR / CF-8 10 10/6

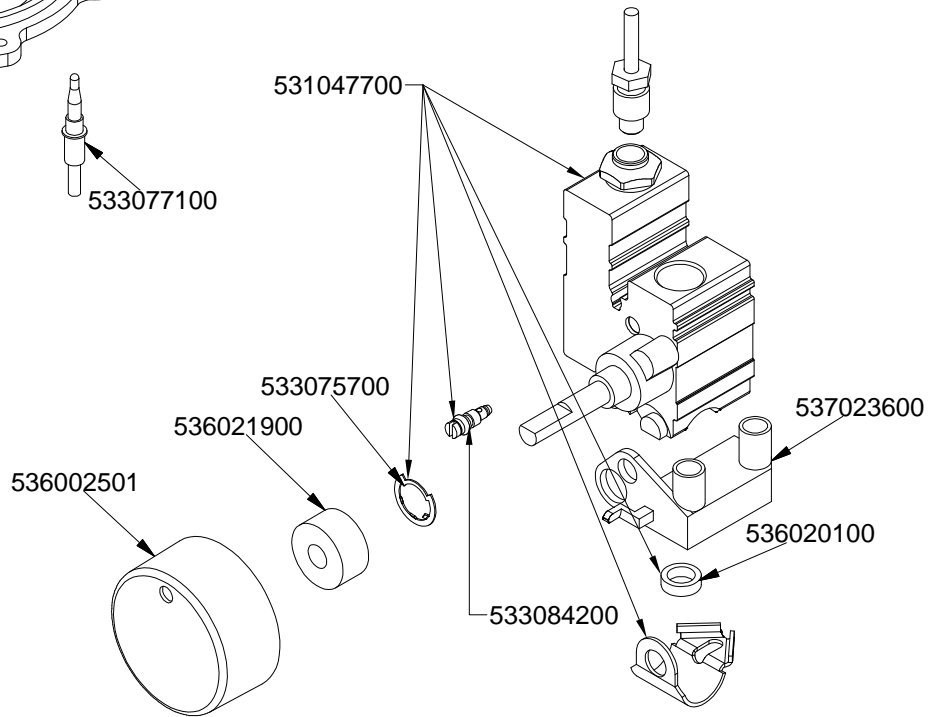
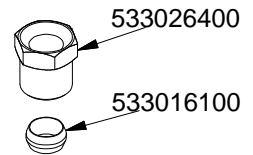
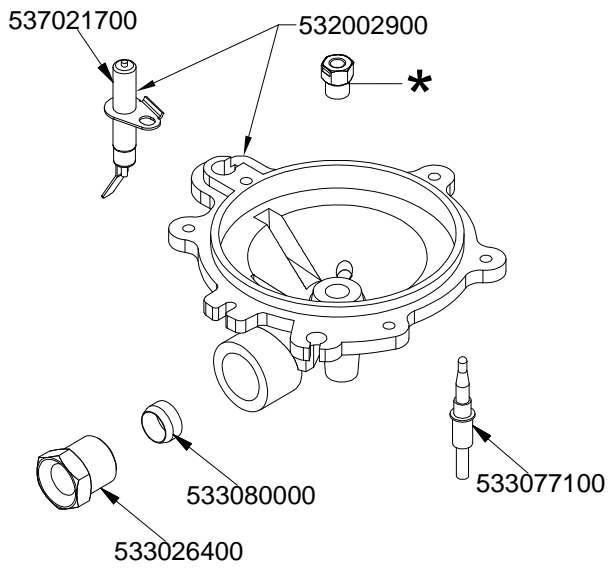
PORTE / DOORS / TÜREN / PORTES ≥ 0706



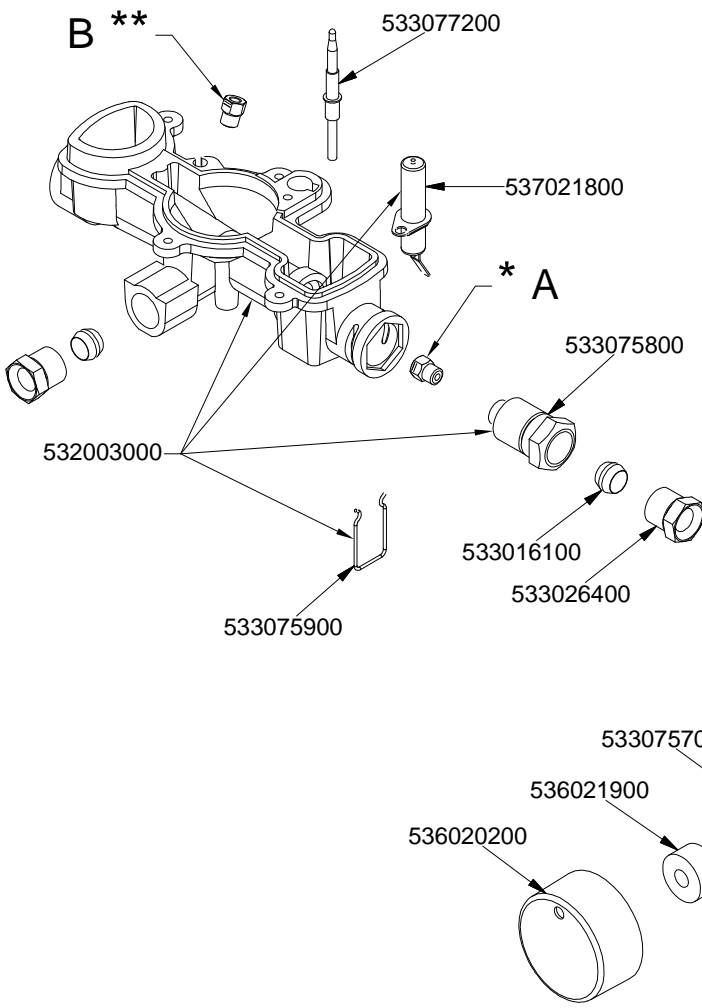
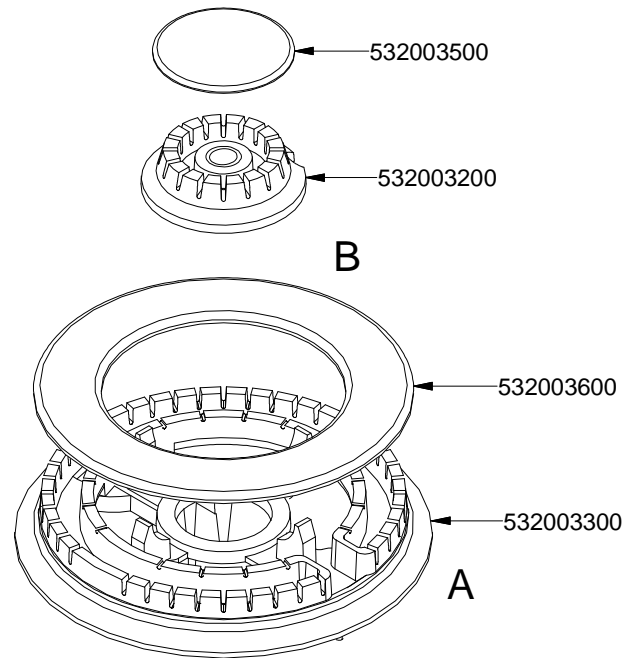
PC-G R N



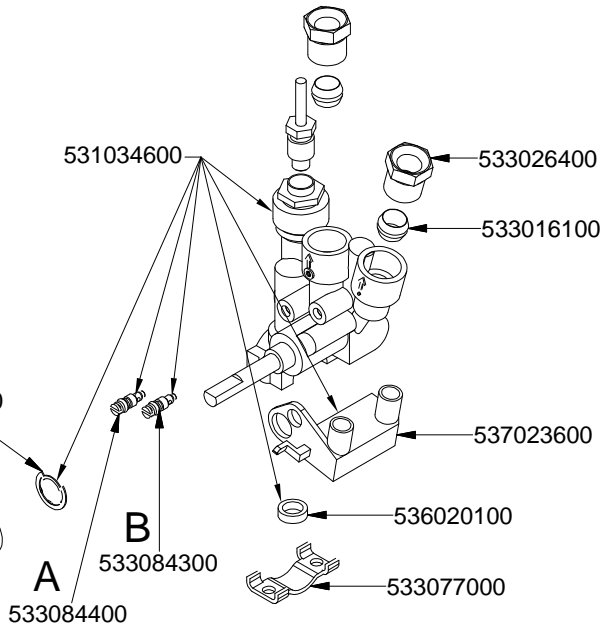
	*
G30-28+30mbar G31- 37mbar	533080600
G30- 50mbar	533083700
G20- 20mbar G25- 25mbar	533080700
G20- 20mbar DE-AT	533080700
G25- 20mbar	533080800
G25- 25mbar NL	533080900
G20- 25mbar	



PC-G WOK



	*	**
G30-28+30mbar G31- 37mbar	533081000	533082200
G30- 50mbar	533082300	533083000
G20- 20mbar G25- 25mbar	533081200	533081100
G20- DE-AT	533081200	533081100
G25- 20mbar	533081400	533081300
G25- NL	533081500	533081300



560025101M00P00

Page	Pos	Code	Description
001		532002101	GRILL 2 BURNERS 292X507 (60)
001		533070200	
001		544226600	UPPER PLATE CF-10G6/A
001		544214400	UPPER PLATE CF-10GE6/A (NEW MOD.)
001		544082901	CONTROL PANEL FOR RANGE CFM-10GEM/6
001		544048301	CONTROL PANEL CF-10GE/6
001		537007600	TERMINAL BLOCK SINGLEPHASE 40A
001		544044301	SIDE NEW CF-10
001		531008100	ADJUSTABLE LEG H9 CHROME
002		539024000	SIGN PLATE FOR OVEN SELECTOR
002		537019201	OVEN COMMUTATOR MULTIF.60+65
002		536013800	KNOB D.70 BLACK 6*5 WITH SPRING
002		539023301	ADHESIVE GRADUATED*EL.MULTIF.COMM.
002		537014100	WHITE WARNING LIGHT 250V
002		537014200	GREEN WARNING LIGHT 250V
002		539023900	SIGN PLATE FOR OVEN TEMPERATURE
002		537019101	THERMOSTAT MONOPHAS.050-320°C F.MF
002		539023800	SIGN PLATE FOR OVEN TIMER
002		539023501	ADHESIVE GRAD.DISC *E.MULTIF.TERM.
002		537019300	TIMER FOR MULTIFUNCTION OVEN
002		537019301	
002		537006200	UPPER OVEN HEATING EL.1000+2000W
002		533095900	PIN FOR GRIDSHOLDER SUPPORT CF 60
002		539023400	ADHESIVE GRADUATED DISC F.KNOB
002		537019000	CIRCULAR HEATING ELEMENT FOR OVEN
002		537006800	FAN 240V CF-62
002		533084801	PANEL SPACER OF AIR DIFF.MAXI OVEN
002		534009100	GRILL PROTECTION CF-8/10
002		537005400	OVEN BULB 15W 300°C
002		537007900	OVEN BULB-SOCKET
002		536011301	OVEN GASKET CF-8/10 *FE*
002		531057900	LHD GRIDS HOLDER FOR MAXI-OVEN
002		531006701	MAXI OVEN GRID FOR S60/65
002		537006300	LOWER OVEN HEATING EL.W1750 230CF8/
002		531012402	DOOR WHEEL HOLDER FOR MAXI OVEN
002		533079700	LOCK SPRING FOR BULB §3/§4
002		531057800	RHD GRIDS HOLDER FOR MAXI-OVEN
003		536007102	
003		531064400	EXTERNAL GLASS MAXI OVEN DOOR+FRAME
003		536021801	DOOR HANDLE SPACER FOR MAXI OVEN
003		536006502	OVEN DOOR HANDLE 60LINE AL.
003		531007302	DOOR HINGE FOR MAXI OVEN 60.LINE
003		531012702	STAINLESS STEEL OVEN DOOR 60 LINE
003		544015702	INNER-DOOR FOR MAXI OVEN OF 60LINE
003		544074703	S/S MAXI OVEN DOOR PANEL
004		532003400	QUICK BURNER COVER
004		532003100	QUICK BURNER RING 640
004		537021700	PLUG IGNITION FOR QUICK BURNER
004		532002900	QUICK BURNER BODY 740
004		533026400	ELBOW FOR BICONE D.8 M13X1
004		533016100	BICONE D.8

Page	Pos	Code	Description
004		531047700	TAP WITH VALVE 699 BY PASS § 40
004		533077100	THERMOCOUPLE 600 M8*1 QUICK BURNER
004		533080000	BICONE § 8
004		533075700	
004		536021900	MAN.EXTENSION MICRO DRIVING TAP 60
004		536002501	COCK KNOB SNACK PC
004		537023600	MICRO-SWITCH FOR COCK 250V 0,0054
004		536020100	TAP GASKET 699
004		533084200	BY PASS COCK §40 699
004		533080600	NOZZLE §88 CH7*9,3 G30-30 R
004		533083700	NOZZLE §80 CH7*22 G30-50 R
004		533080700	NOZZLE §134 CH7*9,3 G20-20 R
004		533080800	NOZZLE §143 CH7*9,3 G25-20 R
004		533080900	NOZZLE §134A CH7*9,3 G25-25NL R
005		532003500	CENTRAL BURNER COVER WOK
005		532003200	CENTRAL BURNER RING WOK 647
005		532003600	EXTERNAL BURNER COVER WOK
005		532003300	EXTERNAL BURNER RING WOK
005		533077200	THERMOCOUPLE 600 M8*1 QUICK BURNER
005		537021800	PLUG IGNITION FOR WOK-BURNER
005		533075800	FITTING FOR NOZZLE-SUPPORT M12X1,25
005		532003000	BURNER BODY WOK 743
005		533016100	BICONE D.8
005		533026400	ELBOW FOR BICONE D.8 M13X1
005		533075900	
005		531034600	TAP WITH VALVE 2OUT009 BYPASS 32/57
005		533075700	
005		537023600	MICRO-SWITCH FOR COCK 250V 0,0054
005		536021900	MAN.EXTENSION MICRO DRIVING TAP 60
005		536020200	COCK KNOB SNACK 2. PC
005		536020100	TAP GASKET 699
005		533084300	BY PASS COCK §32 009
005		533077000	TAP BRIDLE 2 OUT 009
005		533084400	BY PASS COCK §57 009
005		533081000	NOZZLE §84 CH7*9,3 G30-30 W EST.
005		533082200	NOZZLE §51 CH7*11 G30-30 W INT.
005		533082300	NOZZLE §76 CH7*11 G30-50 W.EXT.
005		533083000	NOZZLE §51 CH7*20 G30-50 W INT.
005		533081200	NOZZLE §130 CH7*9,3 G20-20 W EST.
005		533081100	NOZZLE §80 CH7*9,3 G20-20 W INT.
005		533081400	NOZZLE §142 CH7*9,3 G25-20 W EST.
005		533081300	NOZZLE §125 G20
005		533081500	NOZZLE §135 CH7*9,3 G25-25NL W EST.