

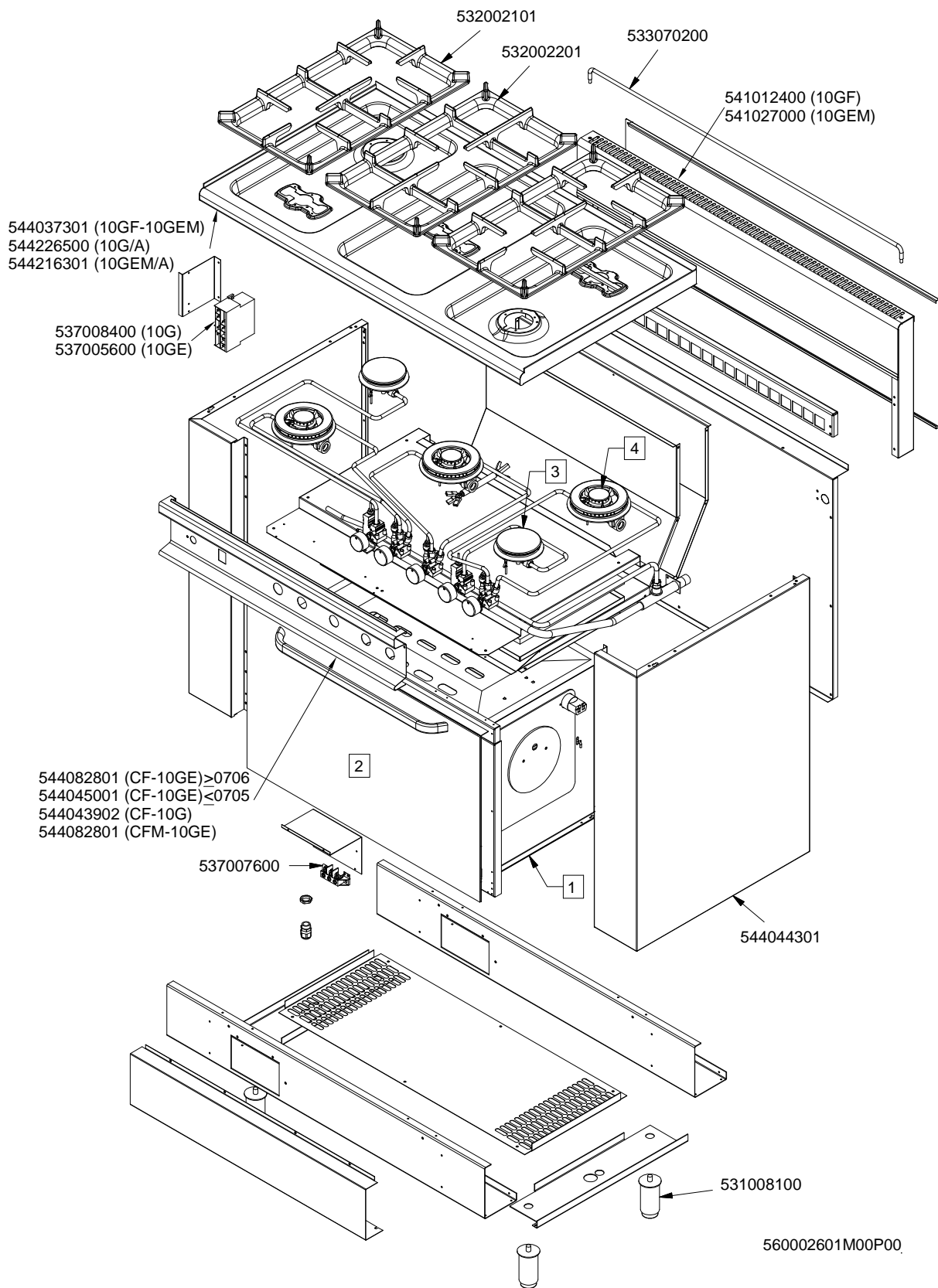
MAGIC SNACK 60

CUCINE / RANGES / HERDE / CUISINIÈRES / N° ≥0310

CF-10

CF-10GF CF-10G/A CF-10GEM CF-10GEM/A CFM-10GEM CFM-10GEM/A

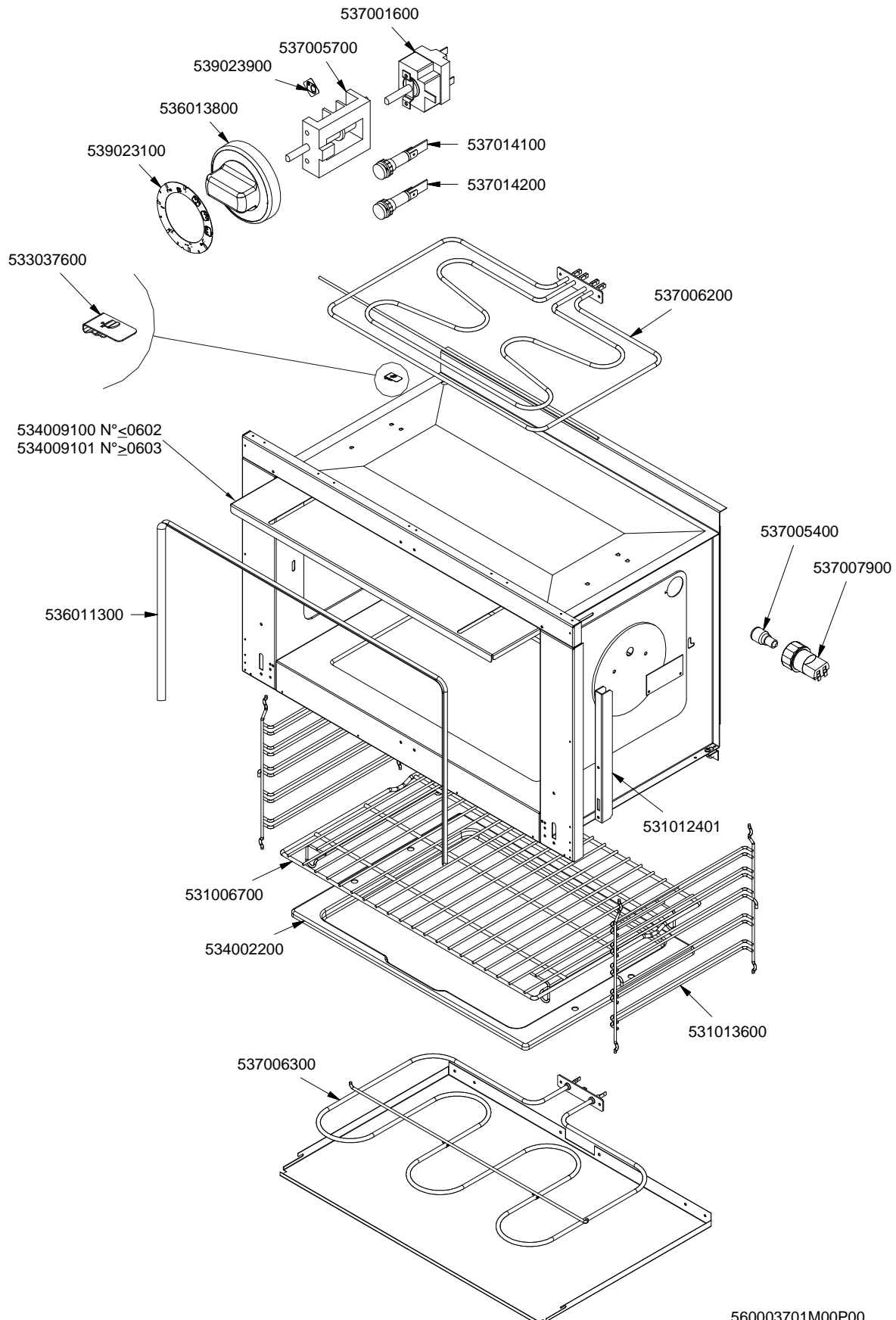
	1CF-10GE	1CFM-10GE	1CF-10G	2	3	4
Vedi Pagina See Page Siehe Seite Voir Page Ver Pàgina	120	122	124	126	133	134



MAGIC SNACK 60

CUCINE / RANGES / HERDE / CUISINIÈRES / N° ≥ 0310
FORNO / OVEN / BACKOFEN / FOUR / CF-8 10 10/6

ELETTRICO STATICO / TRADITIONAL ELECTRIC / STATISCHER ELEKTRO- /
ELECTRIQUE STATIQUE ≤ 0705



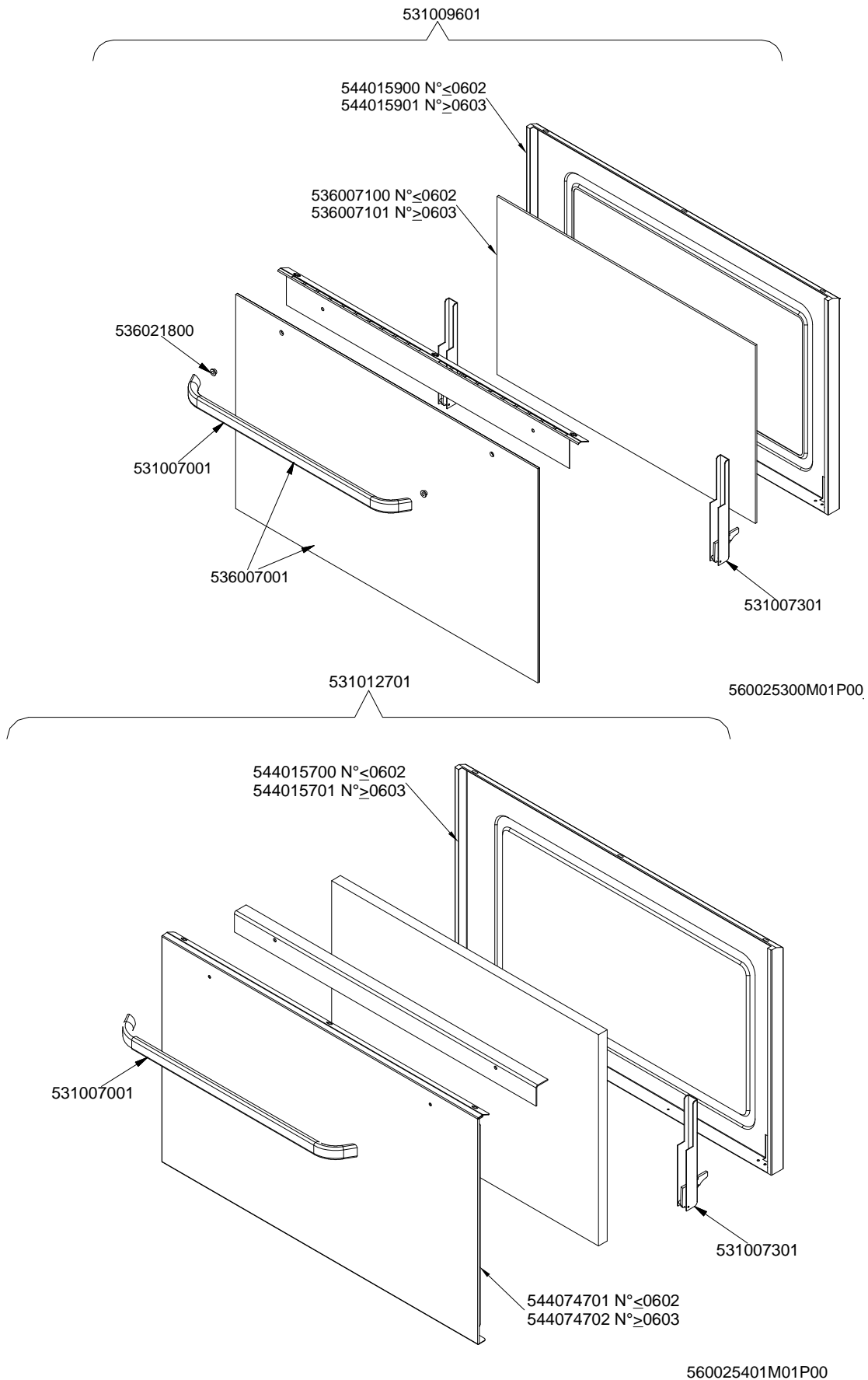
560003701M00P00

MAGIC SNACK 60

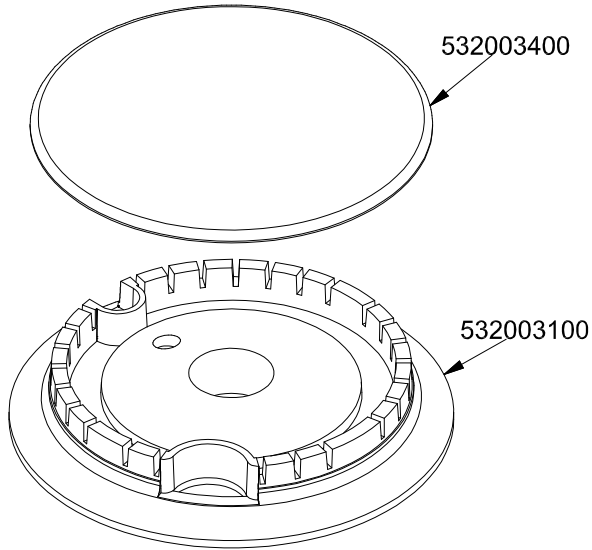
CUCINE / RANGES / HERDE / CUISINIÈRES / N° ≥ 0310

FORNO / OVEN / BACKOFEN / FOUR / CF-8 10 10/6

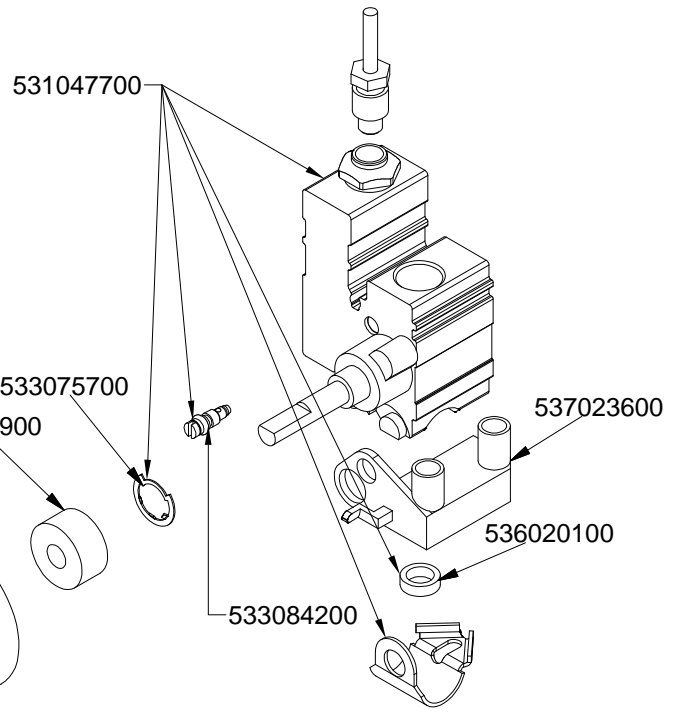
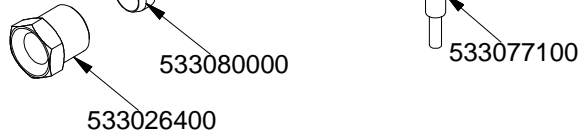
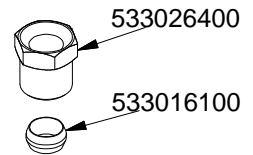
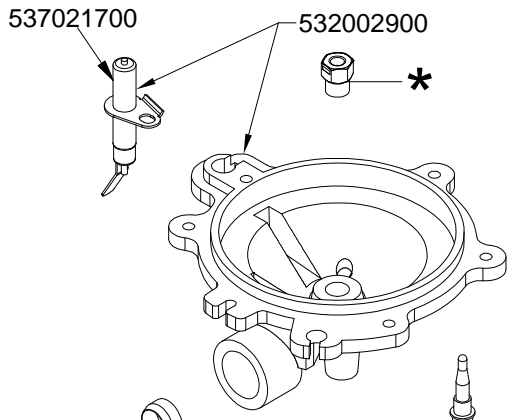
PORTE / DOORS / TÜREN / PORTES ≤ 0705



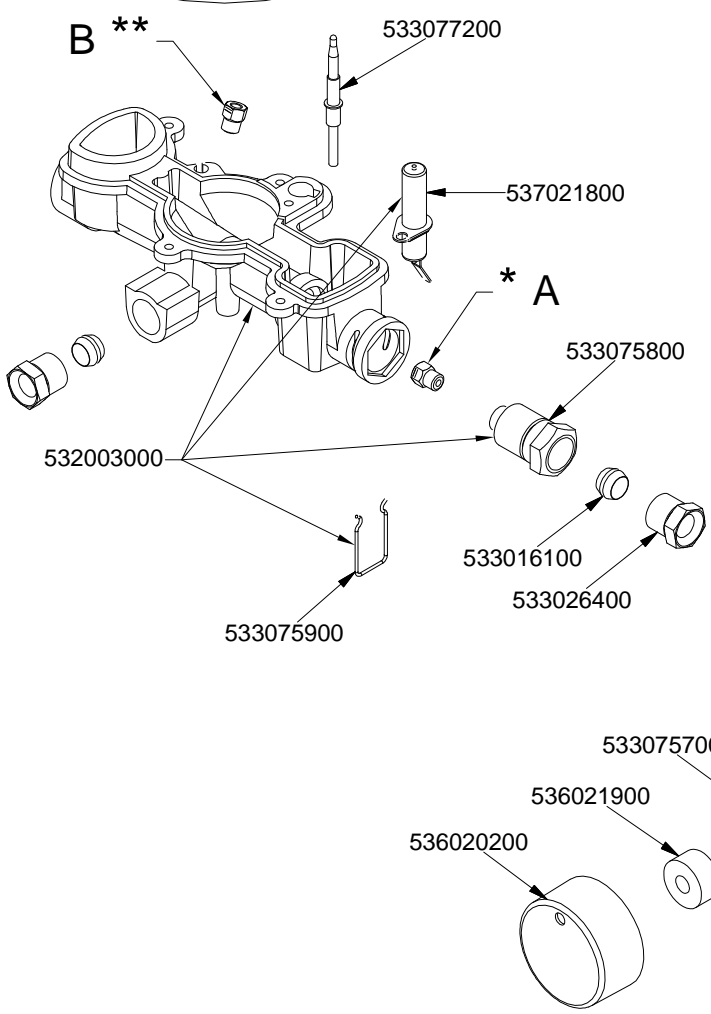
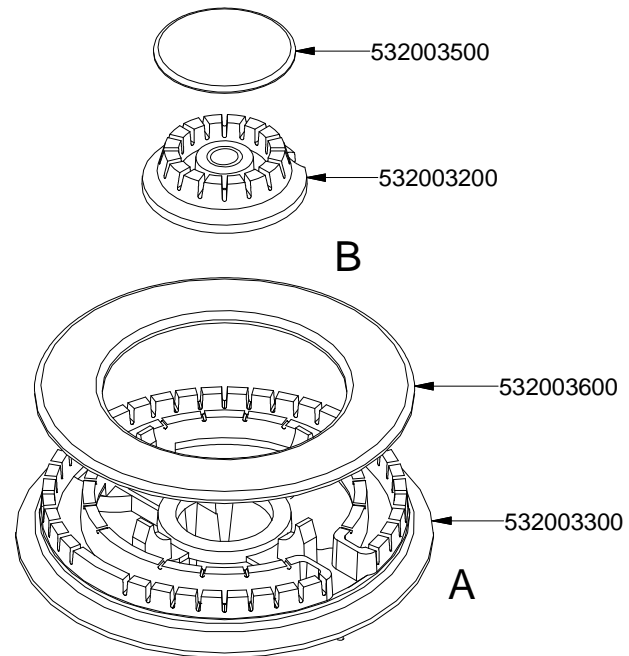
PC-G R N



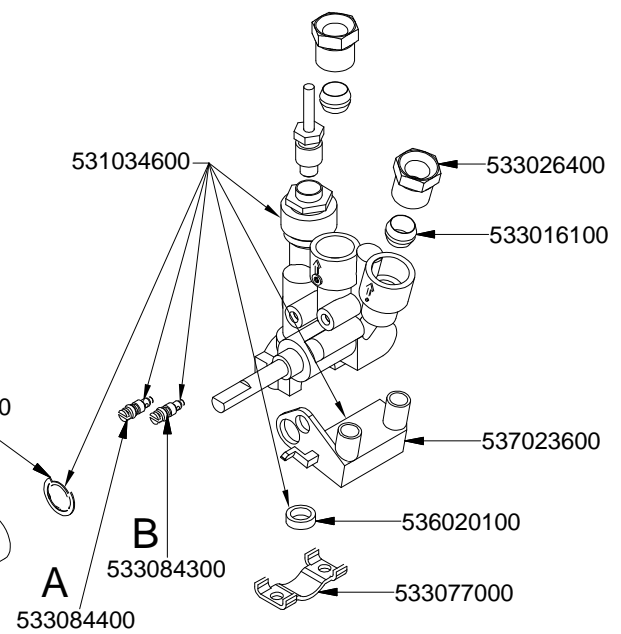
	*
G30-28+30mbar G31- 37mbar	533080600
G30- 50mbar	533083700
G20- 20mbar G25- 25mbar	533080700
G20- 20mbar DE-AT	533080700
G25- 20mbar	533080800
G25- 25mbar NL	533080900
G20- 25mbar	



PC-G WOK



	*	**
G30-28+30mbar G31- 37mbar	533081000	533082200
G30- 50mbar	533082300	533083000
G20- 20mbar G25- 25mbar	533081200	533081100
G20- DE-AT	533081200	533081100
G25- 20mbar	533081400	533081300
G25- NL	533081500	533081300



560025101M00P00

Page	Pos	Code	Description
001		532002101	GRILL 2 BURNERS 292X507 (60)
001		533070200	
001		532002201	1 FLAME GRILL 292X507 (60)
001		541027000	NEUTRAL SPACER 1000
001		544037301	UPPER PLATE CF-10G (NEW MODEL)
001		537008400	IGNITION UNIT 8 FLAMES V230
001		537005600	6 FLAME IGNITION CONTROL BOX V230
001		544082801	CONTROL PANEL FOR RANGE CFM-10GEM
001		544045001	CONTROL PANEL CF-10GE
001		544043902	CONTROL PANEL CF-10G
001		544044301	SIDE NEW CF-10
001		531008100	ADJUSTABLE LEG H9 CHROME
001		537007600	TERMINAL BLOCK SINGLEPHASE 40A
002		537001600	THERMOSTAT 50-320°C SINGLEPHASE
002		537005700	OVEN COMMUTATOR CF-8/10 EL.
002		539023900	SIGN PLATE FOR OVEN TEMPERATURE
002		536013800	KNOB D.70 BLACK 6*5 WITH SPRING
002		539023100	ADHESIVE GRADUATED DISC FOR MAXI OV
002		533037600	LOCK SPRING FOR BULB
002		537014100	WHITE WARNING LIGHT 250V
002		537014200	GREEN WARNING LIGHT 250V
002		537006200	UPPER OVEN HEATING EL.1000+2000W
002		534009100	GRILL PROTECTION CF-8/10
002		534009101	
002		536011300	OVEN GASKET CF-8/10
002		537005400	OVEN BULB 15W 300°C
002		537007900	OVEN BULB-SOCKET
002		531012401	OVEN DOOR WHEEL HOLDER F.CF-8/10
002		531013600	SIDE GRID FOR MAXI/VENTILATED OVEN
002		531006700	OVEN GRID FOR CF-8/10
002		534002200	OVEN DRIPPING-PAN CF-8/10
002		537006300	LOWER OVEN HEATING EL.W1750 230CF8/
003		531009601	COMPLETE GLASS OVEN DOOR
003		544015900	INNER GLASSDOOR OF MAXI OVEN
003		544015901	INNER-DOOR FOR MAXI OVEN *GLASS*
003		536007100	INTERNAL GLASS OVEN DOOR CF-8/10
003		536007101	
003		536021800	DOOR HANDLE SPACER FOR MAXI OVEN
003		531007001	OVEN GLASS DOOR HANDLE CF-8/10
003		536007001	EXTERNAL GLASS OVEN DOOR CF8/10
003		531007301	DOOR HINGE FOR MAXI OVEN CF-8/10
003		531012701	STAINLESS STEEL OVEN DOOR 60/65LINE
003		544015700	INNER DOOR OF MAXI OVEN
003		544015701	INNER-DOOR FOR MAXI OVEN
003		544074701	S/S MAXI OVEN DOOR PANEL
003		544074702	
004		532003400	QUICK BURNER COVER
004		532003100	QUICK BURNER RING 640
004		537021700	PLUG IGNITION FOR QUICK BURNER
004		532002900	QUICK BURNER BODY 740
004		533026400	ELBOW FOR BICONE D.8 M13X1

Page	Pos	Code	Description
004		533016100	BICONE D.8
004		531047700	TAP WITH VALVE 699 BY PASS § 40
004		533077100	THERMOCOUPLE 600 M8*1 QUICK BURNER
004		533080000	BICONE § 8
004		533075700	
004		536021900	MAN.EXTENSION MICRO DRIVING TAP 60
004		536002501	COCK KNOB SNACK PC
004		537023600	MICRO-SWITCH FOR COCK 250V 0,0054
004		536020100	TAP GASKET 699
004		533084200	BY PASS COCK §40 699
004		533080600	NOZZLE §88 CH7*9,3 G30-30 R
004		533083700	NOZZLE §80 CH7*22 G30-50 R
004		533080700	NOZZLE §134 CH7*9,3 G20-20 R
004		533080800	NOZZLE §143 CH7*9,3 G25-20 R
004		533080900	NOZZLE §134A CH7*9,3 G25-25NL R
005		532003500	CENTRAL BURNER COVER WOK
005		532003200	CENTRAL BURNER RING WOK 647
005		532003600	EXTERNAL BURNER COVER WOK
005		532003300	EXTERNAL BURNER RING WOK
005		533077200	THERMOCOUPLE 600 M8*1 QUICK BURNER
005		537021800	PLUG IGNITION FOR WOK-BURNER
005		533075800	FITTING FOR NOZZLE-SUPPORT M12X1,25
005		532003000	BURNER BODY WOK 743
005		533016100	BICONE D.8
005		533026400	ELBOW FOR BICONE D.8 M13X1
005		533075900	
005		531034600	TAP WITH VALVE 2OUT009 BYPASS 32/57
005		533075700	
005		537023600	MICRO-SWITCH FOR COCK 250V 0,0054
005		536021900	MAN.EXTENSION MICRO DRIVING TAP 60
005		536020200	COCK KNOB SNACK 2. PC
005		536020100	TAP GASKET 699
005		533084300	BY PASS COCK §32 009
005		533077000	TAP BRIDLE 2 OUT 009
005		533084400	BY PASS COCK §57 009
005		533081000	NOZZLE §84 CH7*9,3 G30-30 W EST.
005		533082200	NOZZLE §51 CH7*11 G30-30 W INT.
005		533082300	NOZZLE §76 CH7*11 G30-50 W.EXT.
005		533083000	NOZZLE §51 CH7*20 G30-50 W INT.
005		533081200	NOZZLE §130 CH7*9,3 G20-20 W EST.
005		533081100	NOZZLE §80 CH7*9,3 G20-20 W INT.
005		533081400	NOZZLE §142 CH7*9,3 G25-20 W EST.
005		533081300	NOZZLE §125 G20
005		533081500	NOZZLE §135 CH7*9,3 G25-25NL W EST.