

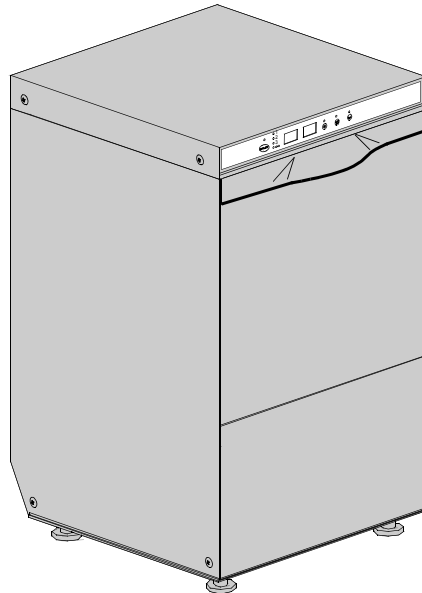
DISHWASHER

ELECTRONICAL SWITCHES
LOWER AND UPPER WASHING
INSULATED MODEL

TYPE: 29ELK

Accessories
BREAK TANK
BOOSTER PUMP
DVGW
COLD RINSE
WATER SOFTNER
DETERGENT DISPENSER
DRAIN PUMP

Spare Parts Manual



INFORMAZIONI GENERALI

Questo catalogo serve per richiedere con esattezza le parti di ricambio

Nelle ordinazioni indicare:

1) il numero dei codici dei particolari seguito dalla descrizione e la quantità desiderata;

2) Il codice alfa-numerico presente nella seconda colonna della tabella ;

I disegni delle parti di ricambio sono solo indicativi e non rappresentano il pezzo in oggetto.

I dati contenuti in questo catalogo sono indicativi e possono essere soggetti a modifiche senza impegno di preavviso.

ALLGEMEINE INFORMATIONEN

Dieser Ersatzteilkatalog dient zur genauen Angabe der Teile bei Ersatzteilbestellungen.

Bei Ersatzbestellung ist folgendes anzugeben:

1) Die Bestellnummer der Ersatzteile mit der entsprechenden Beschreibung genaue Menge;

2) Der alpha-numerischer Code auf der zweiten Reihe in dein Spclud;

Die Zeichnungen der Ersatzteile sind nur als Hinweise gedacht und stellen nicht das betroffene Teil dar.

Bei den im Katalog angeführten Daten handelt es sich um Anhaltsdaten, die jederzeit, ohne Vorankündigung, geändert werden können.

GENERAL INFORMATION

The present spare parts order exactly the right spare parts

When ordering specify:

1) the part's code number followed by its description and quantity needed;

2) The alpha-numeric code is in the second column in the chart;

Spare parts drawings are general and do not represent the part.

The contents of this catalogue are general and can undergo changes without prior notice.

INFORMACIONES GENERALES

El presente catálogo sirve para pedir con exactitud las partes de repuesto

En los pedidos se debe indicar:

1) el número de código de la parte y a continuación la descripción cantidad deseada;

2) El código alfanumerico presente en la segnada columna de la tabla;

Los diseños de las partes de recambio son solo indicativos y no representan la pieza en cuestión.

Los datos contenidos en el presente catálogo son indicativos y pueden modificarse sin aviso previo.

INFORMATIONS GENERALES

Ce catalogue permet de commander correctement les pièces détachées

Les commandes doivent être passées en indiquant:

1) le numero de code des pièces détachées suivi de leur description quantité désirée;

2) le code alphanumérique dans la deuxième colonne du tableau;

Les plans des pièces détachées sont fournis seulement à titre indicatif et ne représentent pas la pièce concernée.

Les données de ce catalogue sont citées seulement à titre indicatif et peuvent être l'objet de modifications sans avis préalable.

ESEMPIO
EXAMPLE
EXEMPLE
BEISPIEL

| Rif. | Codici |
|--------------------|---------|
| MODULE:Particolari | |
| 10505 | 540903 |
| 10510 | 540908 |
| 10515 | 15065/A |
| 10520 | 540086 |
| 10525 | 540028 |

 **Note**

Tutte le informazioni riportate si intendono aggiornate alla data di stampa. Il Produttore si riserva il diritto di apportare qualsiasi modifica richiesta dallo sviluppo evolutivo dei suddetti prodotti.

Per la sicurezza, la garanzia, l'affidabilità ed il valore della lavastoviglie usa solo ricambi originali. **Per alcuni codici, sono richieste quantità minime d'ordine.**

 **Attenzione**

Questo libretto è parte integrante della lavastoviglie e, in caso di passaggio di proprietà, deve essere consegnato al nuovo acquirente.

 **Remarque**

Toutes les informations contenues dans ce manuel s'entendent mises à jour à la date d'impression. En raison du développement constant de ses produits, usine se réserve le droit d'apporter à tout instant les modifications qu'elle jugera utiles.

Pour la sécurité, la garantie, la fiabilité et la valeur de votre lavevaisselles n'utilisez que des pièces de rechange d'origine. **Pour quelque référence on demande un minimum de pièces par commande**

 **Attention**

Ce manuel doit être considéré comme partie intégrante de la la lavevaisselles, en cas de transfert de propriété, doit toujours être remis au nouveau propriétaire.

 **Note**

The information contained herein is valid at the time of going to print. The Company reserves the right to make any changes required by the future development of the above-mentioned products.

For your safety, as well as to preserve the warranty reliability and worth of your dishwashers, use original spare parts only. **For some codes a minimum quantity for order is required.**

 **Warning**

This manual forms an integral part of the dishwashers and - if a transfer of title occurs - must always be handed over to the new owner.

 **Hinweis**

Die Der Hersteller behält sich das Recht vor, jegliche, durch eine Weiterentwicklung der genannten Produkte bedingte Änderungen vornehmen zu können.

Verwenden Sie für Ihre Sicherheit, die Garantie, die Zuverlässigkeit und den Wert Ihrer machine originale Ersatzteile. **Für bestimmte Code nummer werden mindesten bestellungen verlangt.**

 **Achtung**

Diese Betriebsanleitung ist Bestandteile des machine und muss bei seinem Weiterverkauf dem neuen Besitzer ausgehändigt werden.



Code 999XYYYY **CL/Part**

Model DESCRIPTION

S/N 04012345 **Type**

400VAC3N 50HZ 8A
3500W 500W

 16A

IPX3

Pressione Dinamica alimentazione idrica **200-500**
 Pression dynamique arrivee d'eau
 Dynamic pressure water supply
 Dymanischer Druck asserreinlauf

Pressione dinamica vapore saturo
 Pression dynamique vapeur satuee
 Dymanischer Druck gesattigter Dampf
 Pression Dinamica Vapor Saturado

TECHICAL SPECIFICATION

MADE IN ITALY

Temperatura massima acqua in ingresso **60°C**
 Temperature max eau a l'entre
 Maximale Temperatur Wasseranschlu
 Maximum Water temperature in-feeding

Model 

S/N 

CODE 999 XX YYYY

FAMIGLIA PRODOTTO
 FAMILY PRODUCT
 FAMILLE DU PRODUIT
 FAMILIA PRODUCTO
 FAMILIE DES PRODUKTES

CODICE MODELLO
 CODE MODEL
 CODE ARTICLE
 CODIGO MODELO
 KODE VON MODELL

S/N 04 012345

ANNO
 YEAR
 ANNÉE
 AN^o
 JAHR

NUMERO DI SERIE
 SERIAL NUMBER
 NUMÉRO DI SÉRIE
 NUMERO DI SERIE
 SERIENNUMMER

1. Spare parts

| | |
|---|-----------|
| General body parts..... | 7 |
| Lockup system | 9 |
| Electric control components..... | 11 |
| Command electronic control | 13 |
| Solenoid valve group | 15 |
| Solenoid valve group | 17 |
| Break Tank | 19 |
| Rinse with steady temperature..... | 21 |
| Booster pump..... | 23 |
| DVGW | 25 |
| Water softner group..... | 27 |
| Rinse aid dispenser group..... | 29 |
| Rinse aid dispenser group..... | 31 |
| Boiler group | 33 |
| 3 ways connection | 35 |
| Wash pump | 37 |

| | |
|--|-----------|
| Dosing detergent group..... | 39 |
| Drain pump group..... | 41 |
| Pressure switch group with air trap ... | 43 |
| Turret group with rotating arms | 45 |

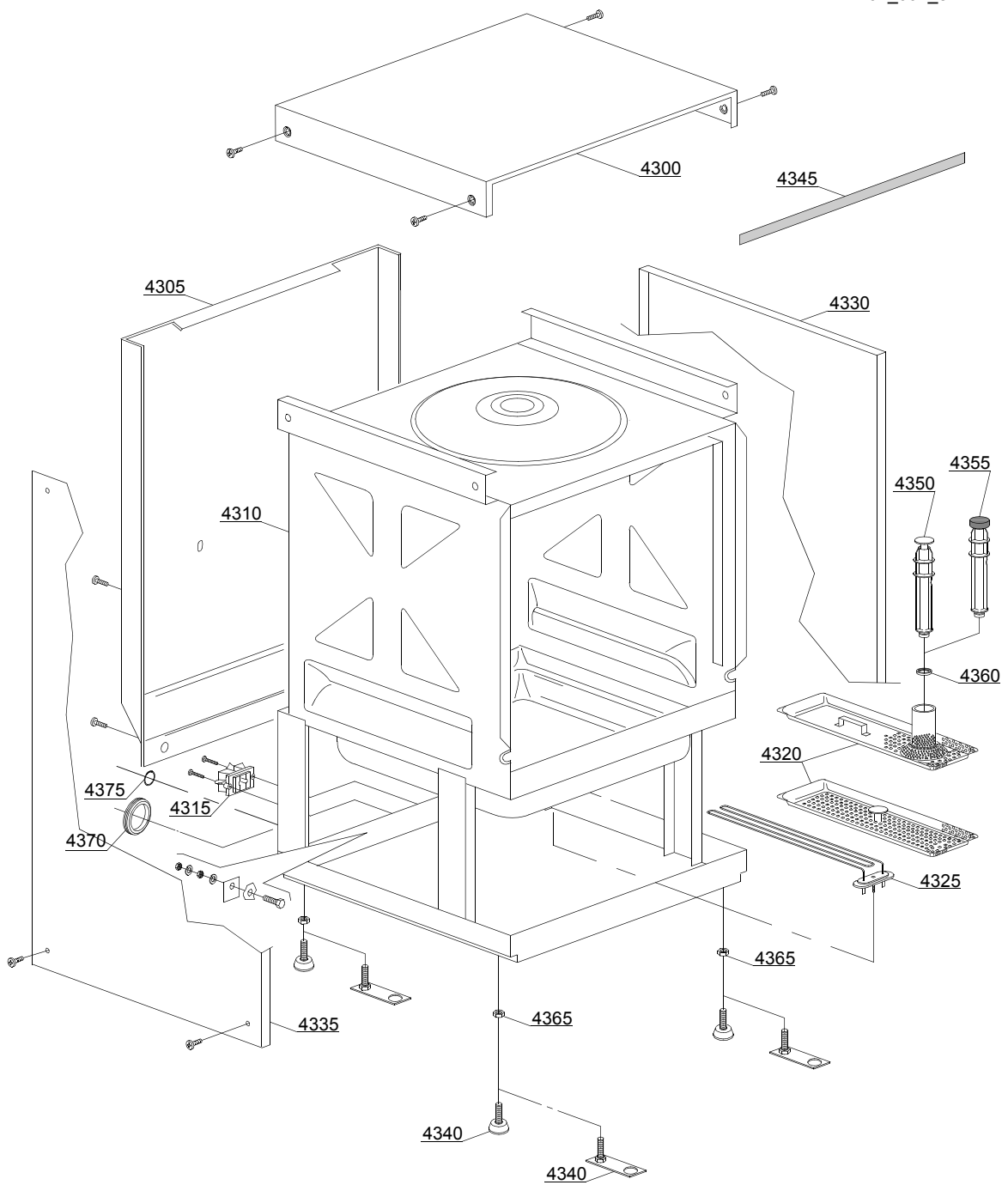
1.1 Voltage codes

| Volt | Voltage code |
|------|-------------------------|
| A | 3/N/PE~380-400V 50-60Hz |
| D | 3/PE~200-210V 50-60Hz |
| F | 2/PE~220-240V 50-60Hz |
| G | 3/N/PE~415V 50-60Hz |
| H | 3/PE~220-230V 50-60Hz |
| K | 3/PE~380-400V 50-60Hz |
| L | 3/PE~415V 50-60Hz |
| M | 3/PE~440V 60Hz |
| P | 1/N/PE~220-230V 50-60Hz |
| R | 2/PE~220-240V 50-60Hz |
| U | 1/N/PE~240V 50-60Hz |
| V | 3/PE~240V 50-60Hz |
| W | 1/N/PE~100-110V 50-60Hz |

1.2 Product codes

| Product code | Full name |
|-----------------|-------------------------|
| Model codes | |
| e | ELECTRONICAL SWITCHES |
| uw | LOWER AND UPPER WASHING |
| i | INSULATED MODEL |
| Type codes | |
| 29ELK | 29ELK |
| Accessory codes | |
| bt | BREAK TANK |
| bp | BOOSTER PUMP |
| dvgw | DVGW |
| cr | COLD RINSE |
| ws | WATER SOFTNER |
| dd | DETERGENT DISPENSER |
| dp | DRAIN PUMP |

01_002_e



Spare parts

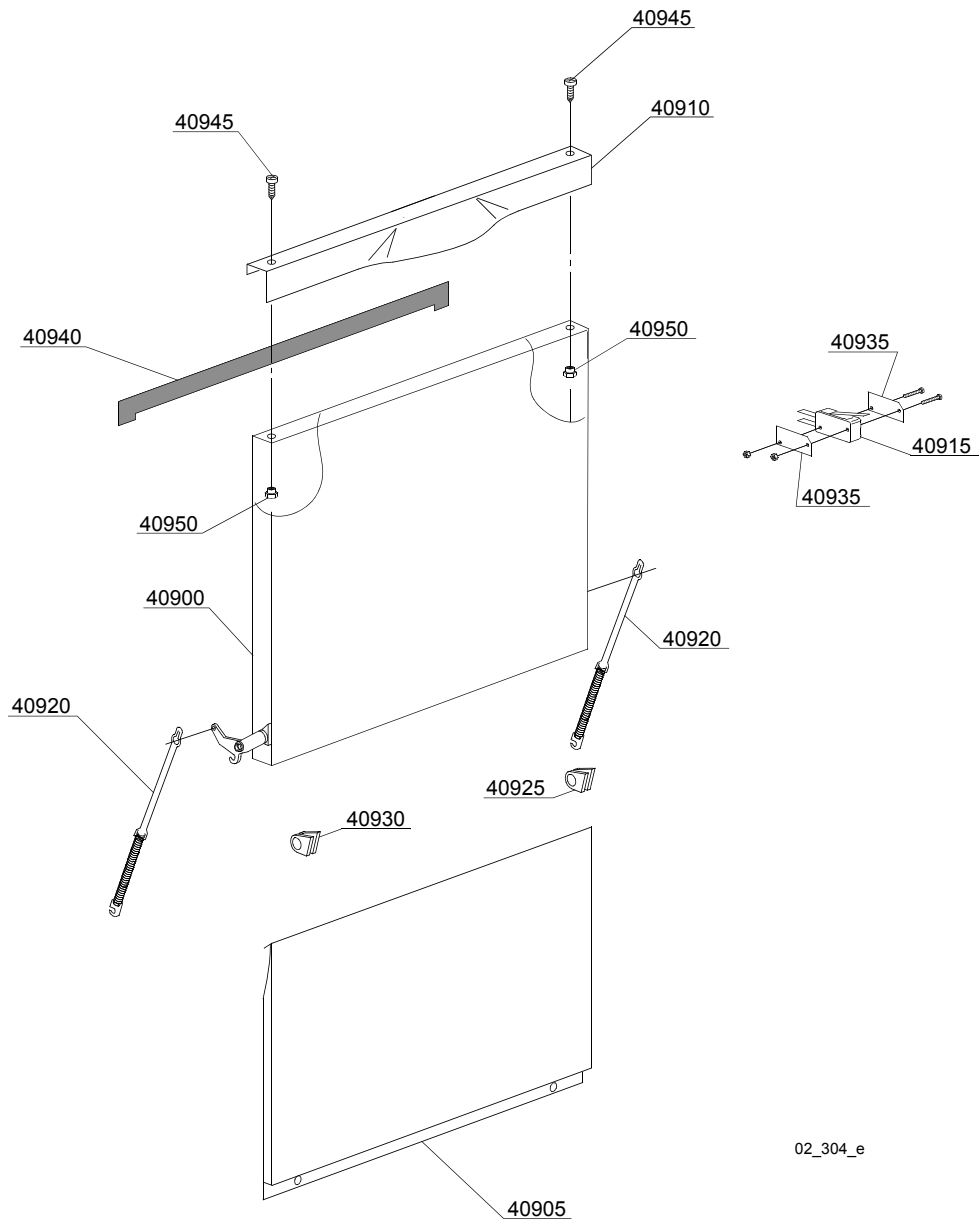
| ID | P-code | SN from | SN to | Mod. | Acces. | Volt | Description |
|----------------------------------|---------|---------|-------|------|--------|------|---|
| Module:General body parts | | | | | | | |
| 4300 | 560917 | | - | i | | | Cover |
| 4305 | 560919 | | - | i | | | Back panel |
| 4305 | 560938 | | - | i | bt | | Back panel |
| 4310 | 560900 | | - | i | | | Body |
| 4310 | 560928 | | - | i | ws | | Body |
| 4315 | 15065/A | | - | i | | | Cable-fastener with screw |
| 4320 | 560925 | | - | i | | | Surface filter |
| 4325 | 150047 | | - | i | | | 2,7/2,94KW 230/240V heating element |
| 4330 | 560914 | | - | i | | | Right side |
| 4335 | 560915 | | - | i | | | Left side |
| 4340 | 10786 | | - | i | | | M10x25 Ø40 black foot (minimum 4 pieces) |
| 4340 | 15176 | | - | i | | | M10 marina foot |
| 4345 | 560021 | | - | i | | | Profile for door O-ring |
| 4350 | 500619 | | - | i | | | H=213mm Overflow pipe |
| 4355 | 560020 | | - | i | dp | | Drain pump Overflow pipe |
| 4360 | 13021 | | - | i | | | DEM 40 O-ring (minimum 2 pieces) |
| 4365 | 11711 | | - | i | | | M10 zinc plated nut (minimum 20 pieces) |
| 4370 | 13317 | | - | i | | | D.40mm unloading pipe pass (minimum 2 pieces) |
| 4375 | 13323 | | - | i | | | D.13mm dosing pipe pass (minimum 2 pieces) |

e=ELECTRONICAL SWITCHES, uw=LOWER AND UPPER WASHING, i=INSULATED MODEL

29ELK=29ELK

bt=BREAK TANK, bp=BOOSTER PUMP, dvgw=DVGW, cr=COLD RINSE, ws=WATER SOFTNER, dd=DETERGENT DISPENSER, dp=DRAIN PUMP

A=3/N/PE~380-400V 50-60Hz, D=3/PE~200-210V 50-60Hz, F=2/PE~220-240V 50-60Hz, G=3/N/PE~415V 50-60Hz, H=3/PE~220-230V 50-60Hz, K=3/PE~380-400V 50-60Hz, L=3/PE~415V 50-60Hz, M=3/PE~440V 60Hz, P=1/N/PE~220-230V 50-60Hz, R=2/PE~220-240V 50-60Hz, U=1/N/PE~240V 50-60Hz, V=3/PE~240V 50-60Hz, W=1/N/PE~100-110V 50-60Hz



02_304_e

Spare parts

| ID | P-code | SN from | SN to | Mod. | Acces. | Volt | Description |
|------------------------------|--------|---------|-------|------|--------|------|--|
| Module: Lockup system | | | | | | | |
| 40900 | 560963 | | - | | | | Door with steel handle |
| 40905 | 560920 | | - | | | | Lower door |
| 40910 | 560959 | | - | | | | Stainless steel handle |
| 40915 | 10704 | | - | | | | Door microswitch |
| 40920 | 560003 | | - | | | | Door spring |
| 40925 | 560006 | | - | | | | Right lock for door hinge (minimum 2 pieces) |
| 40930 | 560007 | | - | | | | Left lock for door hinge (minimum 2 pieces) |
| 40935 | 10770 | | - | | | | Insulation for door microswitch (minimum 3 pieces) |
| 40940 | 560021 | | - | | | | Profile for door O-ring |
| 40945 | 11225 | | - | | | | M4x6 Inox Screw |
| 40950 | 11226 | | - | | | | M4 inox Plated nut |

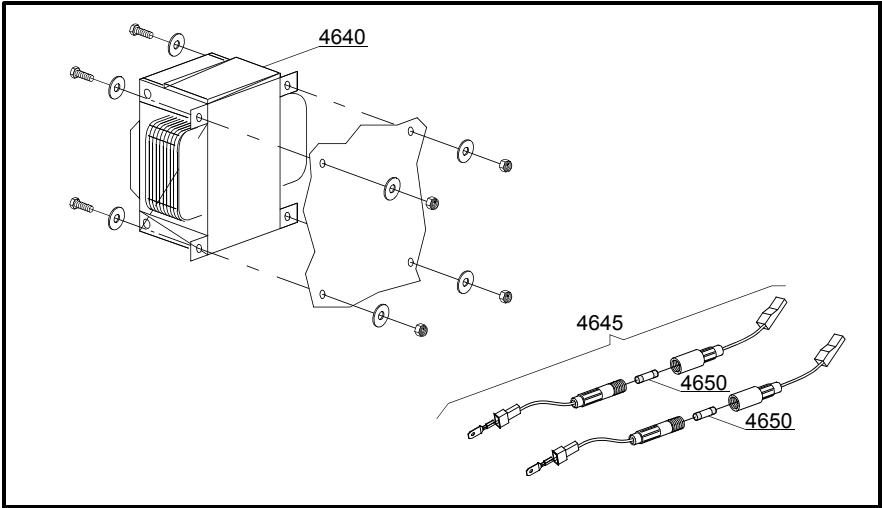
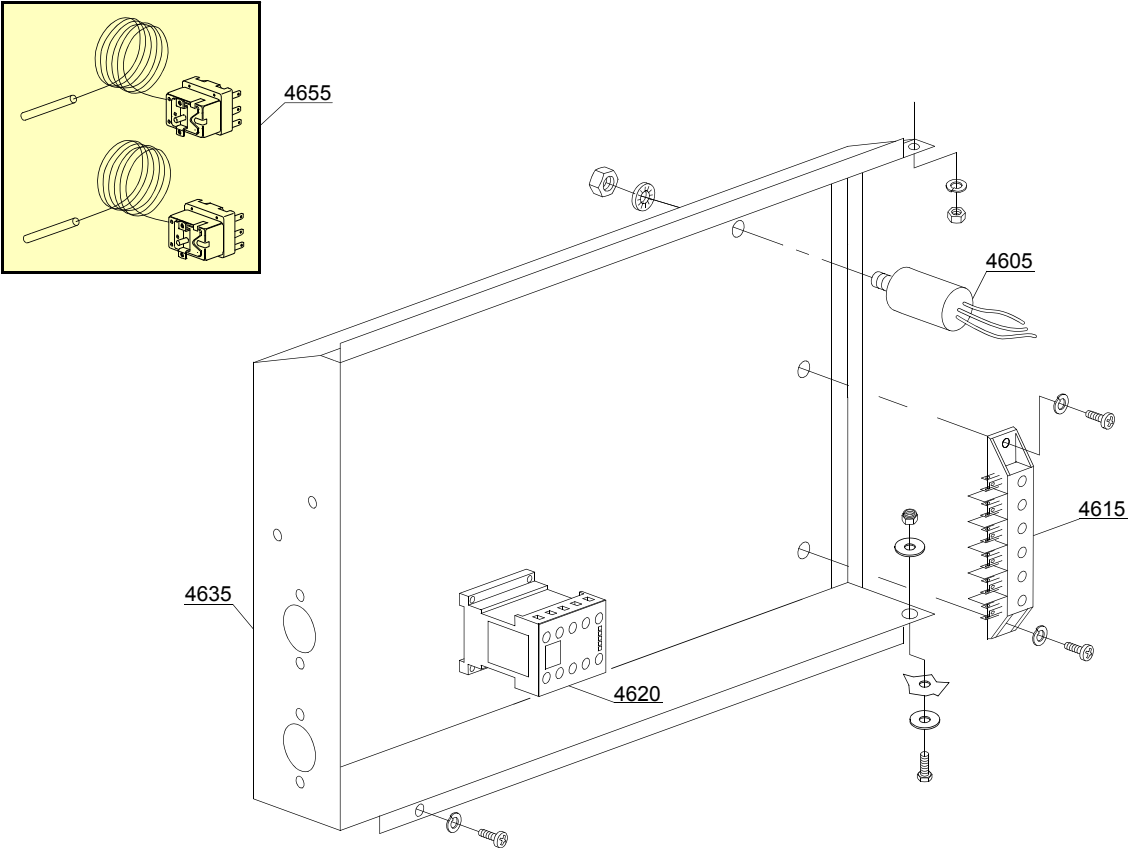
e=ELECTRONICAL SWITCHES, uw=LOWER AND UPPER WASHING, i=INSULATED MODEL

29ELK=29ELK

bt=BREAK TANK, bp=BOOSTER PUMP, dvgw=DVGW, cr=COLD RINSE, ws=WATER SOFTNER, dd=DETERGENT DISPENSER, dp=DRAIN PUMP

A=3/N/PE~380-400V 50-60Hz, D=3/PE~200-210V 50-60Hz, F=2/PE~220-240V 50-60Hz, G=3/N/PE~415V 50-60Hz, H=3/PE~220-230V 50-60Hz, K=3/PE~380-400V 50-60Hz, L=3/PE~415V 50-60Hz, M=3/PE~440V 60Hz, P=1/N/PE~220-230V 50-60Hz, R=2/PE~220-240V 50-60Hz, U=1/N/PE~240V 50-60Hz, V=3/PE~240V 50-60Hz, W=1/N/PE~100-110V 50-60Hz

04_003ee



Spare parts

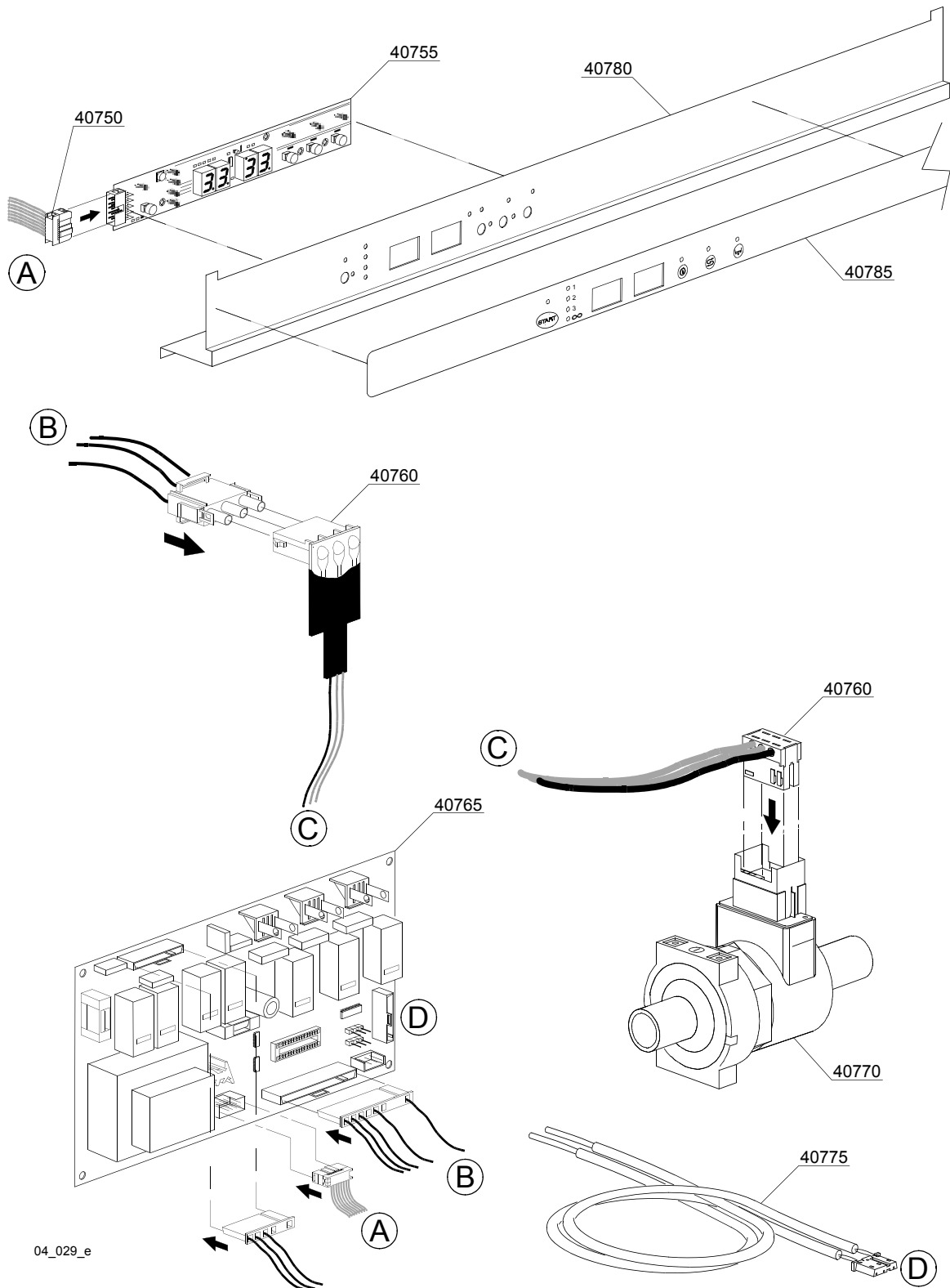
| ID | P-code | SN from | SN to | Mod. | Acces. | Volt | Description |
|---|---------|---------|-------|------|--------|------|--|
| Module:Electric control components | | | | | | | |
| 4605 | 15146 | | - | e,i | | | Low noise filter F3 (0,1mF) |
| 4605 | 15149 | | - | e,i | | | Low noise filter F3 (0,3mF) |
| 4605 | 15187 | | - | e,i | | | Low noise filter F3 440 VaC 3 |
| 4615 | 500551 | | - | e,i | | | 6 poles terminal board |
| 4620 | 15086 | | - | e,i | | | Contactora 230V 50/60Hz 4C |
| 4620 | 15086/B | | - | e,i | | | Contactora 240V 50Hz |
| 4620 | 15086/T | | - | e,i | | | 200Vac3N 50/60HZ contactora |
| 4635 | 560921 | | - | e,i | | | Electric components panel |
| 4640 | 15381 | | - | e,i | | | 160Va transformer 0-230-400-415-440/230V |
| 4645 | 15147 | | - | e,i | | | Fuse-holder |
| 4650 | 15163 | | - | e,i | | | Fuse (minimum 5 pieces) |
| 4655 | 15553 | | - | e,i | | | Security Thermostat (EGO) 110°C 3 poles |

e=ELECTRONICAL SWITCHES, uw=LOWER AND UPPER WASHING, i=INSULATED MODEL

29ELK=29ELK

bt=BREAK TANK, bp=BOOSTER PUMP, dvgw=DVGW, cr=COLD RINSE, ws=WATER SOFTNER, dd=DETERGENT DISPENSER, dp=DRAIN PUMP

A=3/N/PE~380-400V 50-60Hz, D=3/PE~200-210V 50-60Hz, F=2/PE~220-240V 50-60Hz, G=3/N/PE~415V 50-60Hz, H=3/PE~220-230V 50-60Hz, K=3/PE~380-400V 50-60Hz, L=3/PE~415V 50-60Hz, M=3/PE~440V 60Hz, P=1/N/PE~220-230V 50-60Hz, R=2/PE~220-240V 50-60Hz, U=1/N/PE~240V 50-60Hz, V=3/PE~240V 50-60Hz, W=1/N/PE~100-110V 50-60Hz



04_029_e

Spare parts

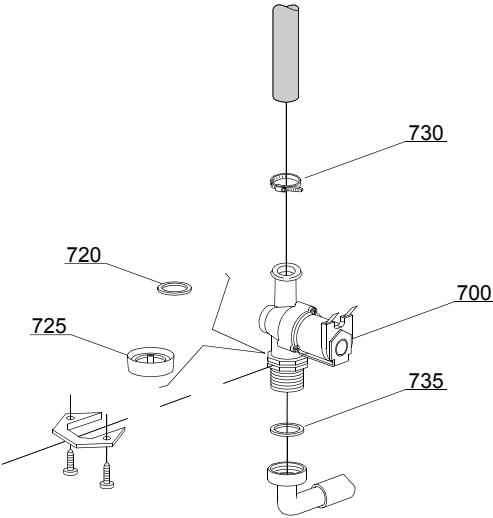
| ID | P-code | SN from | SN to | Mod. | Acces. | Volt | Description |
|--|--------|---------|-------|------|--------|------|---|
| Module:Command electronic control | | | | | | | |
| 40755 | 50581 | | - | i,e | | | Touche sensitive |
| 40760 | 50584 | | - | i,e | | | Water flow board |
| 40765 | 50580 | | - | i,e | | | Electronic timer+main board |
| 40765 | 50590 | | - | i,e | | | Electronic timer+main board BA |
| 40770 | 50583 | | - | i,e | | | Water flow meter for board |
| 40775 | 50562 | | - | i,e | | | Temperature probe set |
| 40780 | 560964 | | - | i,e | | | Control Panel |
| 40785 | 560039 | | - | i,e | | | Neutral-full Silkscreen processed grill |

e=ELECTRONICAL SWITCHES, uw=LOWER AND UPPER WASHING, i=INSULATED MODEL

29ELK=29ELK

bt=BREAK TANK, bp=BOOSTER PUMP, dvgw=DVGW, cr=COLD RINSE, ws=WATER SOFTNER, dd=DETERGENT DISPENSER, dp=DRAIN PUMP

A=3/N/PE~380-400V 50-60Hz, D=3/PE~200-210V 50-60Hz, F=2/PE~220-240V 50-60Hz, G=3/N/PE~415V 50-60Hz, H=3/PE~220-230V 50-60Hz, K=3/PE~380-400V 50-60Hz, L=3/PE~415V 50-60Hz, M=3/PE~440V 60Hz, P=1/N/PE~220-230V 50-60Hz, R=2/PE~220-240V 50-60Hz, U=1/N/PE~240V 50-60Hz, V=3/PE~240V 50-60Hz, W=1/N/PE~100-110V 50-60Hz



05_002_e

Spare parts

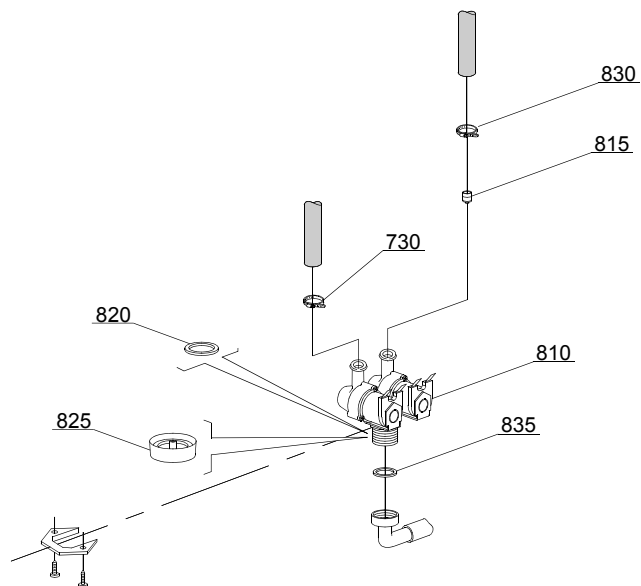
| ID | P-code | SN from | SN to | Mod. | Acces. | Volt | Description |
|------------------------------------|--------|---------|-------|------|--------|------|--------------------------------|
| Module:Solenoid valve group | | | | | | | |
| 700 | 10703 | | - | i,e | | | Single solenoid valve - 230Vac |
| 720 | N.C. | | - | i,e | | | Pression reducing valve |
| 730 | 11807 | | - | i,e | | | 12/22 clamp (minimum 3 pieces) |
| 735 | 13307 | | - | i,e | | | 3/4 gasket |

e=ELECTRONICAL SWITCHES, uw=LOWER AND UPPER WASHING, i=INSULATED MODEL

29ELK=29ELK

bt=BREAK TANK, bp=BOOSTER PUMP, dvgw=DVGW, cr=COLD RINSE, ws=WATER SOFTNER, dd=DETERGENT DISPENSER, dp=DRAIN PUMP

A=3/N/PE~380-400V 50-60Hz, D=3/PE~200-210V 50-60Hz, F=2/PE~220-240V 50-60Hz, G=3/N/PE~415V 50-60Hz, H=3/PE~220-230V 50-60Hz, K=3/PE~380-400V 50-60Hz, L=3/PE~415V 50-60Hz, M=3/PE~440V 60Hz, P=1/N/PE~220-230V 50-60Hz, R=2/PE~220-240V 50-60Hz, U=1/N/PE~240V 50-60Hz, V=3/PE~240V 50-60Hz, W=1/N/PE~100-110V 50-60Hz



05_003_ε

Spare parts

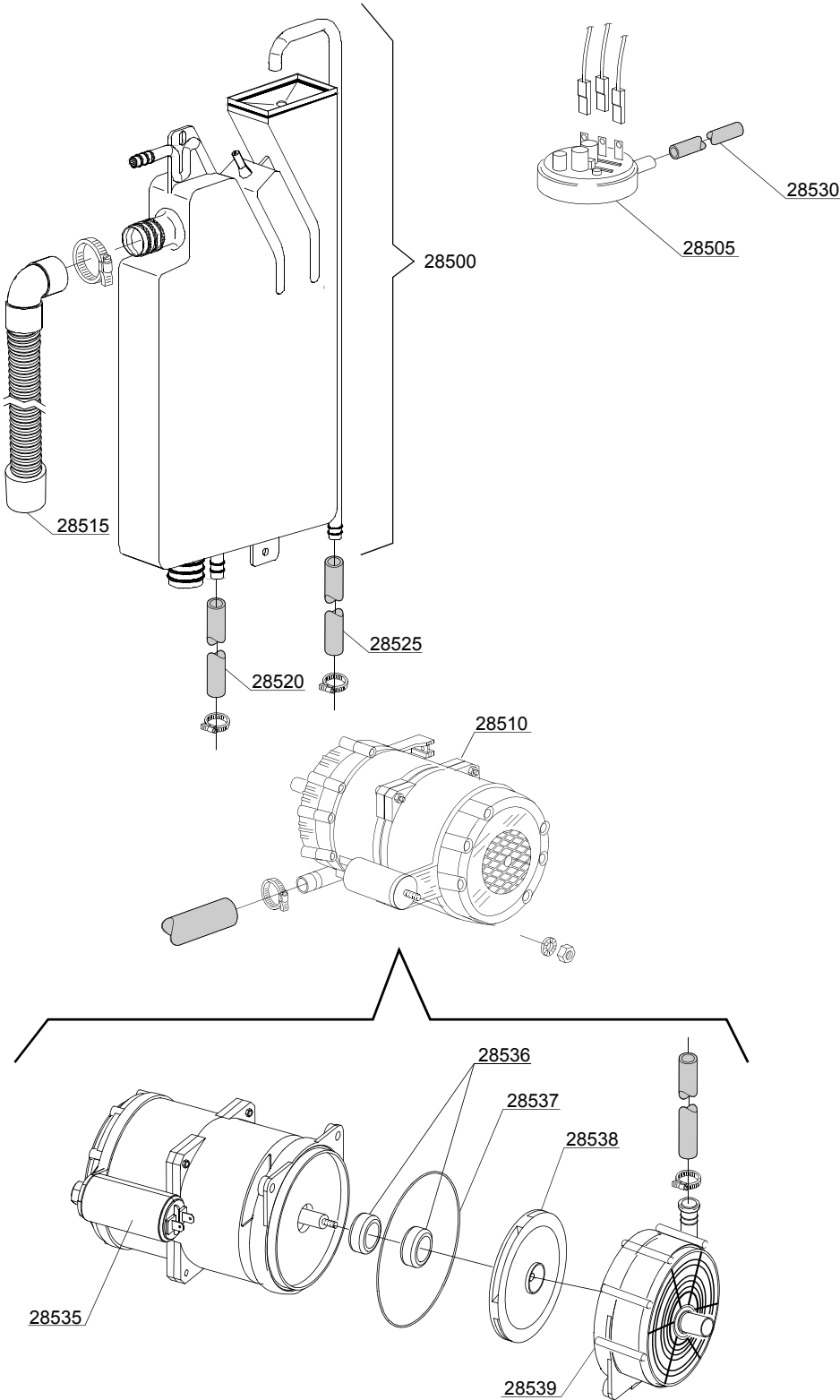
| ID | P-code | SN from | SN to | Mod. | Acces. | Volt | Description |
|------------------------------------|--------|---------|-------|------|--------|------|---|
| Module:Solenoid valve group | | | | | | | |
| 810 | 15098 | | - | i,e | cr,ws | | Double solenoid valve - Ø10 - 230Vac |
| 815 | 15115 | | - | e,i | cr,ws | | Green pression solenoid valve for regeneration (minimum 2 pieces) |
| 820 | N.C. | | - | e,i | cr,ws | | Pression reducing valve |
| 830 | 11807 | | - | i,e | | | 12/22 clamp (minimum 3 pieces) |
| 835 | 13307 | | - | i,e | | | 3/4 gasket |

e=ELECTRONICAL SWITCHES, uw=LOWER AND UPPER WASHING, i=INSULATED MODEL

29ELK=29ELK

bt=BREAK TANK, bp=BOOSTER PUMP, dvgw=DVGW, cr=COLD RINSE, ws=WATER SOFTNER, dd=DETERGENT DISPENSER, dp=DRAIN PUMP

A=3/N/PE~380-400V 50-60Hz, D=3/PE~200-210V 50-60Hz, F=2/PE~220-240V 50-60Hz, G=3/N/PE~415V 50-60Hz, H=3/PE~220-230V 50-60Hz, K=3/PE~380-400V 50-60Hz, L=3/PE~415V 50-60Hz, M=3/PE~440V 60Hz, P=1/N/PE~220-230V 50-60Hz, R=2/PE~220-240V 50-60Hz, U=1/N/PE~240V 50-60Hz, V=3/PE~240V 50-60Hz, W=1/N/PE~100-110V 50-60Hz



06_004ae

Spare parts

| ID | P-code | SN from | SN to | Mod. | Acces. | Volt | Description |
|--------------------------|---------|---------|-------|------|--------|------|---|
| Module:Break Tank | | | | | | | |
| 28500 | 15735 | | - | e,i | bt | | Break tank assembly |
| 28505 | 10706/A | | - | e,i | bt | | 47-27 pressure switch |
| 28510 | 15100/D | | - | e,i | bt | | Booster pump 220/240V - body pumps in plastic |
| 28515 | 15721 | | - | e,i | bt | | BT long pipe L=1070 |
| 28515 | 15722 | | - | e,i | bt | | BT middle pipe L=920 |
| 28515 | 15723 | | - | e,i | bt | | BT small pipe L=690 |
| 28520 | 2907350 | | - | e,i | bt | | 12x20 EPDM rubber hose |
| 28525 | 2907352 | | - | e,i | bt | | PVC WRAS rubber hose |
| 28530 | 14508 | | - | e,i | bt | | 4,5x9 EPDM rubber hose (minimum 2 mt) |
| 28535 | 10702 | | - | e,i | bt | | 5 uF condenser - 450V |
| 28536 | 15100/S | | - | e,i | bt | | Rotating seals |
| 28537 | 15100/T | | - | e,i | bt | | OR-(O-ring) gasket EPDM |
| 28538 | 15100/U | | - | e,i | bt | | Pump rotor |
| 28539 | 15100/V | | - | e,i | bt | | Scroll |

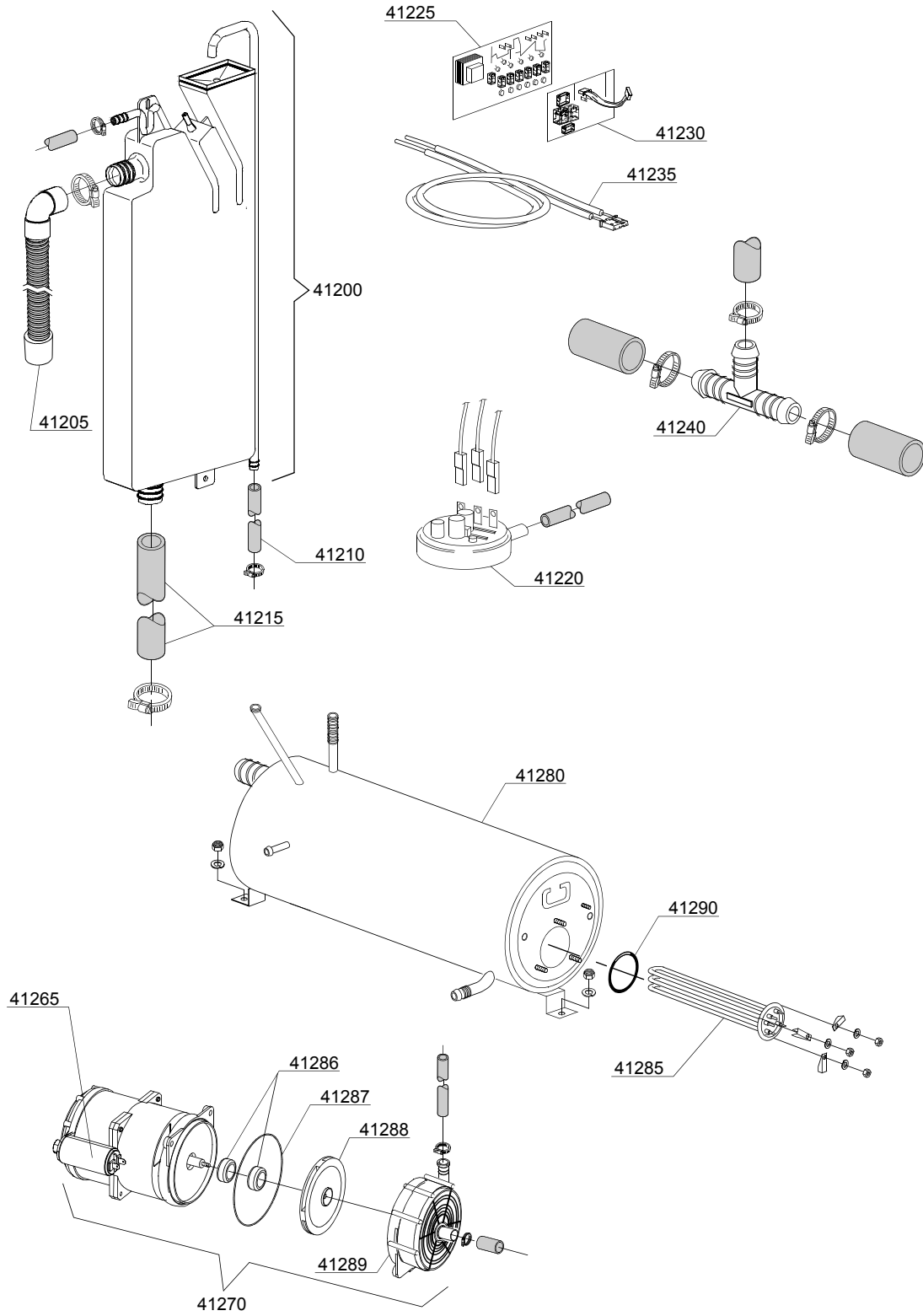
e=ELECTRONICAL SWITCHES, uw=LOWER AND UPPER WASHING, i=INSULATED MODEL

29ELK=29ELK

bt=BREAK TANK, bp=BOOSTER PUMP, dvgw=DVGW, cr=COLD RINSE, ws=WATER SOFTNER, dd=DETERGENT DISPENSER, dp=DRAIN PUMP

A=3/N/PE~380-400V 50-60Hz, D=3/PE~200-210V 50-60Hz, F=2/PE~220-240V 50-60Hz, G=3/N/PE~415V 50-60Hz, H=3/PE~220-230V 50-60Hz, K=3/PE~380-400V 50-60Hz, L=3/PE~415V 50-60Hz, M=3/PE~440V 60Hz, P=1/N/PE~220-230V 50-60Hz, R=2/PE~220-240V 50-60Hz, U=1/N/PE~240V 50-60Hz, V=3/PE~240V 50-60Hz, W=1/N/PE~100-110V 50-60Hz

06_006_e



Spare parts

| ID | P-code | SN from | SN to | Mod. | Acces. | Volt | Description |
|--|---------|---------|-------|------|--------|------|--------------------------------------|
| Module: Rinse with steady temperature | | | | | | | |
| 41200 | 15720 | | - | e,i | | | Break tank assembly |
| 41205 | 15721 | | - | e,i | | | BT middle pipe L=920 |
| 41210 | 2907352 | | - | e,i | | | PVC WRAS rubber hose |
| 41215 | x | | - | e,i | | | Pipe coupling |
| 41220 | 10706/A | | - | e,i | | | 34-100 pressure switch |
| 41225 | 50569 | | - | e,i | | | Electronic Card without Chip |
| 41230 | 50559 | | - | e,i | | | Circuit board DP |
| 41235 | 50562 | | - | e,i | | | Sensor |
| 41240 | 540098 | | - | e,i | | | 3 ways D25 |
| 41265 | 10702 | | - | e,i | | | 5 uF condenser |
| 41270 | 15100/D | | - | e,i | | | Rinsing pump |
| 41275 | 10718 | | - | e,i | | | Pump pipe coupling |
| 41280 | 560062 | | - | e,i | | | Boiler |
| 41285 | 15089 | | - | e,i | | | Boiler Element 4,5KW 230 / 240 VaC 3 |
| 41285 | 15089/B | | - | e,i | | | Boiler Element 4,5KW 240 /440 V |
| 41285 | 15089/B | | - | e,i | | | Boiler Element 6KW 230 / 240 VaC 3 |
| 41286 | 15100/S | | - | e,i | | | Rotating seals |
| 41287 | 15100/T | | - | e,i | | | OR (O-ring) gasket EPDM |
| 41288 | 15100/U | | - | e,i | | | Pump rotor |
| 41289 | 15100/V | | - | e,i | | | Scroll |
| 41290 | 13015 | | - | e,i | | | OR (O-ring) 6225 gasket 160 NBR |

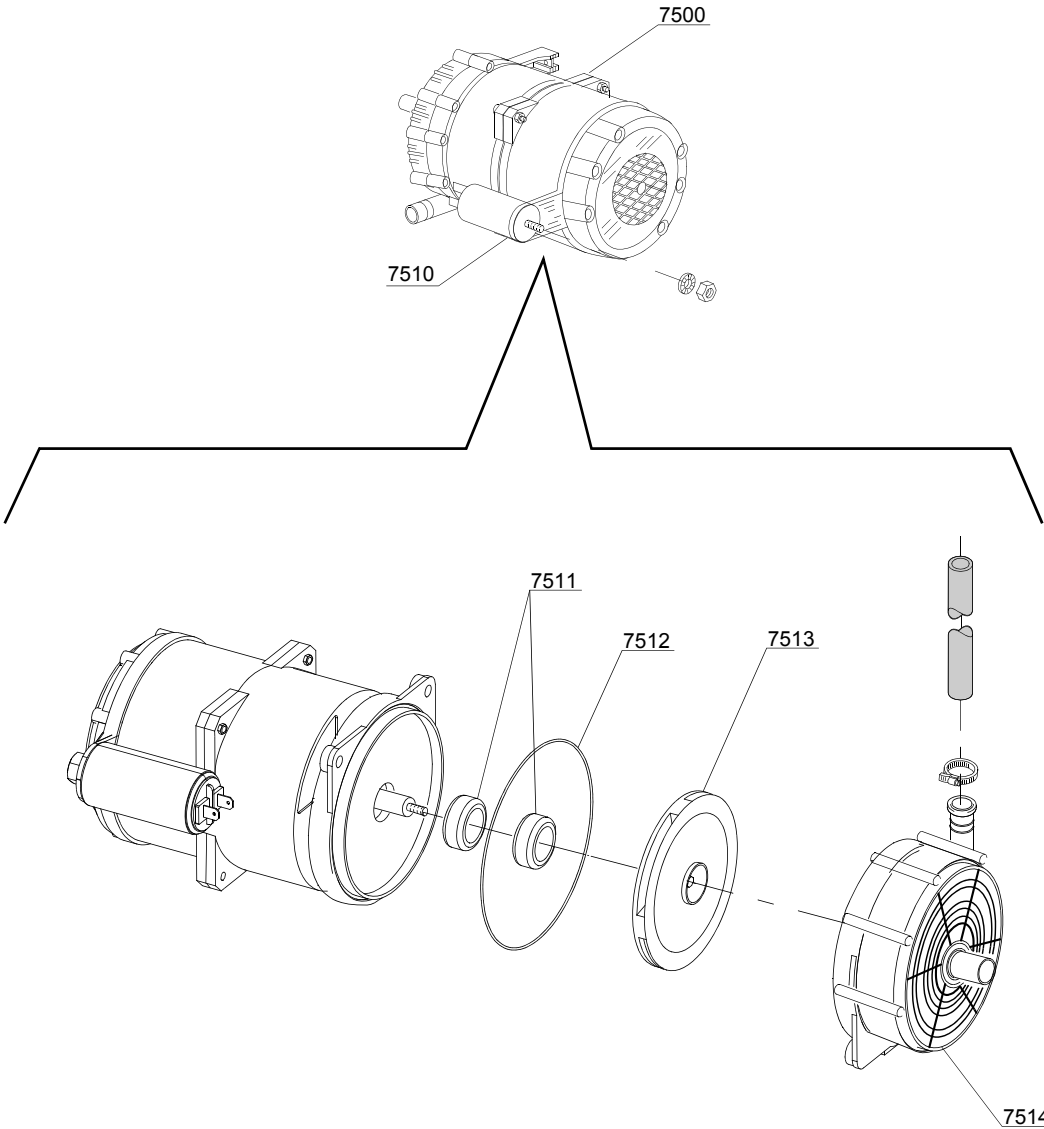
e=ELECTRONICAL SWITCHES, uw=LOWER AND UPPER WASHING, i=INSULATED MODEL

29ELK=29ELK

bt=BREAK TANK, bp=BOOSTER PUMP, dvgw=DVGW, cr=COLD RINSE, ws=WATER SOFTNER, dd=DETERGENT DISPENSER, dp=DRAIN PUMP

A=3/N/PE~380-400V 50-60Hz, D=3/PE~200-210V 50-60Hz, F=2/PE~220-240V 50-60Hz, G=3/N/PE~415V 50-60Hz, H=3/PE~220-230V 50-60Hz, K=3/PE~380-400V 50-60Hz, L=3/PE~415V 50-60Hz, M=3/PE~440V 60Hz, P=1/N/PE~220-230V 50-60Hz, R=2/PE~220-240V 50-60Hz, U=1/N/PE~240V 50-60Hz, V=3/PE~240V 50-60Hz, W=1/N/PE~100-110V 50-60Hz

07_003_e



Spare parts

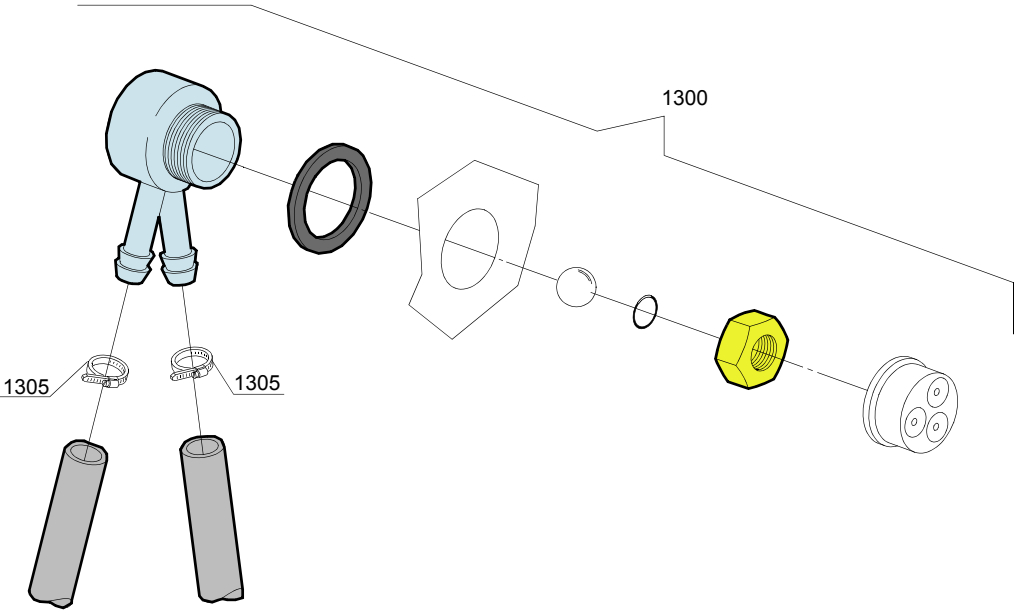
| ID | P-code | SN from | SN to | Mod. | Acces. | Volt | Description |
|----------------------------|---------|---------|-------|------|--------|------|---|
| Module:Booster pump | | | | | | | |
| 7500 | 15100/D | | - | e,i | bp | | Booster pump 220/240V - body pumps in plastic |
| 7505 | 12013 | | - | e,i | bp | | Rubber-holder |
| 7510 | 10702 | | - | e,i | bp | | 5 uF condenser - 450V |
| 7511 | 15100/S | | | e,i | bp | | Rotating seals |
| 7512 | 15100/T | | | e,i | bp | | OR (O-ring) gasket EPDM |
| 7513 | 15100/U | | | e,i | bp | | Pump rotor |
| 7514 | 15100/V | | | e,i | bp | | Scroll |

e=ELECTRONICAL SWITCHES, uw=LOWER AND UPPER WASHING, i=INSULATED MODEL

29ELK=29ELK

bt=BREAK TANK, bp=BOOSTER PUMP, dvgw=DVGW, cr=COLD RINSE, ws=WATER SOFTNER, dd=DETERGENT DISPENSER, dp=DRAIN PUMP

A=3/N/PE~380-400V 50-60Hz, D=3/PE~200-210V 50-60Hz, F=2/PE~220-240V 50-60Hz, G=3/N/PE~415V 50-60Hz, H=3/PE~220-230V 50-60Hz, K=3/PE~380-400V 50-60Hz, L=3/PE~415V 50-60Hz, M=3/PE~440V 60Hz, P=1/N/PE~220-230V 50-60Hz, R=2/PE~220-240V 50-60Hz, U=1/N/PE~240V 50-60Hz, V=3/PE~240V 50-60Hz, W=1/N/PE~100-110V 50-60Hz



08_005_e

Spare parts

| ID | P-code | SN from | SN to | Mod. | Acces. | Volt | Description |
|--------------------|-----------|---------|-------|------|--------|------|--------------------------------|
| Module:DVGW | | | | | | | |
| 1300 | 999900006 | | - | e,i | dvgw | | DVGW assembly |
| 1305 | 11807 | | - | e,i | dvgw | | 12/22 clamp (minimum 3 pieces) |

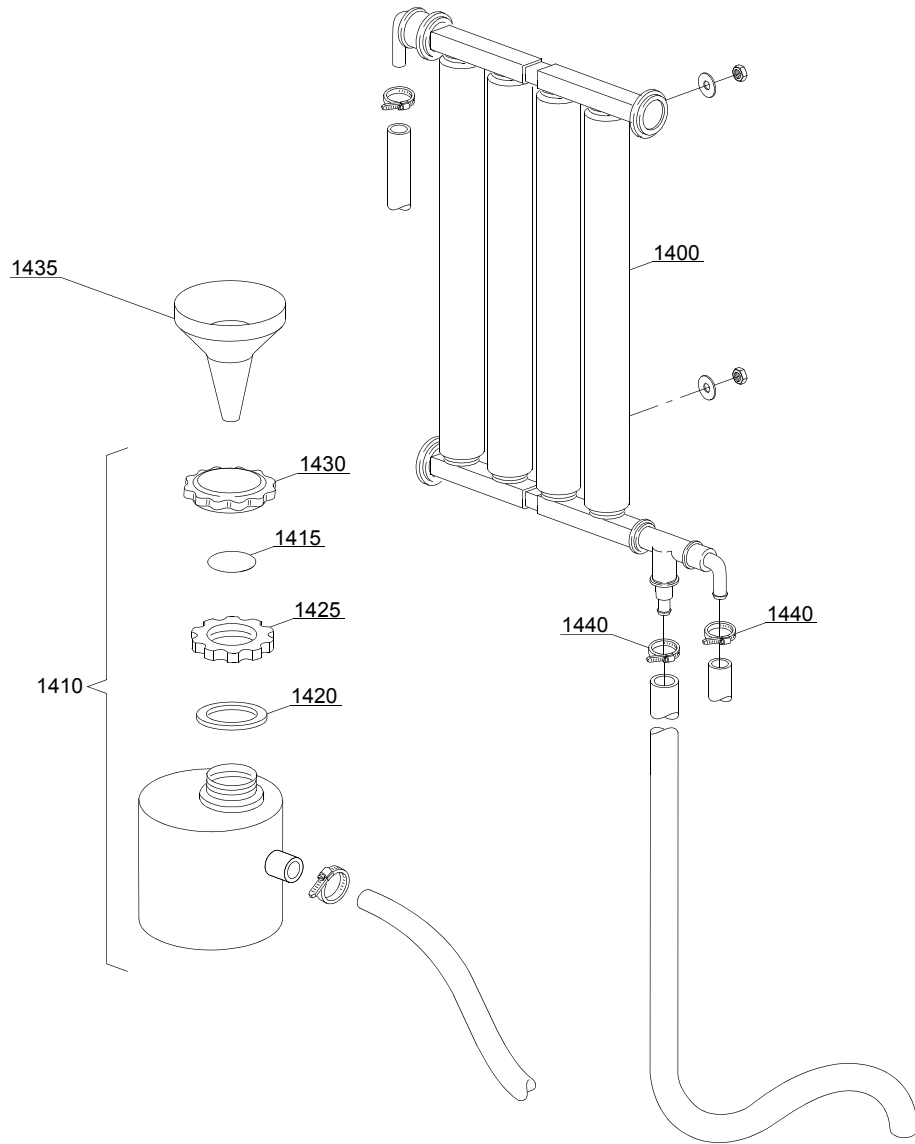
e=ELECTRONICAL SWITCHES, uw=LOWER AND UPPER WASHING, i=INSULATED MODEL

29ELK=29ELK

bt=BREAK TANK, bp=BOOSTER PUMP, dvgw=DVGW, cr=COLD RINSE, ws=WATER SOFTNER, dd=DETERGENT DISPENSER, dp=DRAIN PUMP

A=3/N/PE~380-400V 50-60Hz, D=3/PE~200-210V 50-60Hz, F=2/PE~220-240V 50-60Hz, G=3/N/PE~415V 50-60Hz, H=3/PE~220-230V 50-60Hz, K=3/PE~380-400V 50-60Hz, L=3/PE~415V 50-60Hz, M=3/PE~440V 60Hz, P=1/N/PE~220-230V 50-60Hz, R=2/PE~220-240V 50-60Hz, U=1/N/PE~240V 50-60Hz, V=3/PE~240V 50-60Hz, W=1/N/PE~100-110V 50-60Hz

09_001_e



Spare parts

| ID | P-code | SN from | SN to | Mod. | Acces. | Volt | Description |
|------------------------------------|---------|---------|-------|------|--------|------|--------------------------------|
| Module: Water softner group | | | | | | | |
| 1400 | 16066 | | - | e | ws | | 4 elements water softner |
| 1410 | 16065 | | - | e | ws | | Salt container |
| 1415 | 16067/A | | - | e | ws | | OR O-ring |
| 1420 | 16067/B | | - | e | ws | | O-ring |
| 1425 | 16067/C | | - | e | ws | | Ring nut |
| 1430 | 16067/D | | - | e | ws | | Plug |
| 1435 | 16082 | | - | e | ws | | Funnel |
| 1440 | 11807 | | - | e | ws | | 12/22 clamp (minimum 3 pieces) |

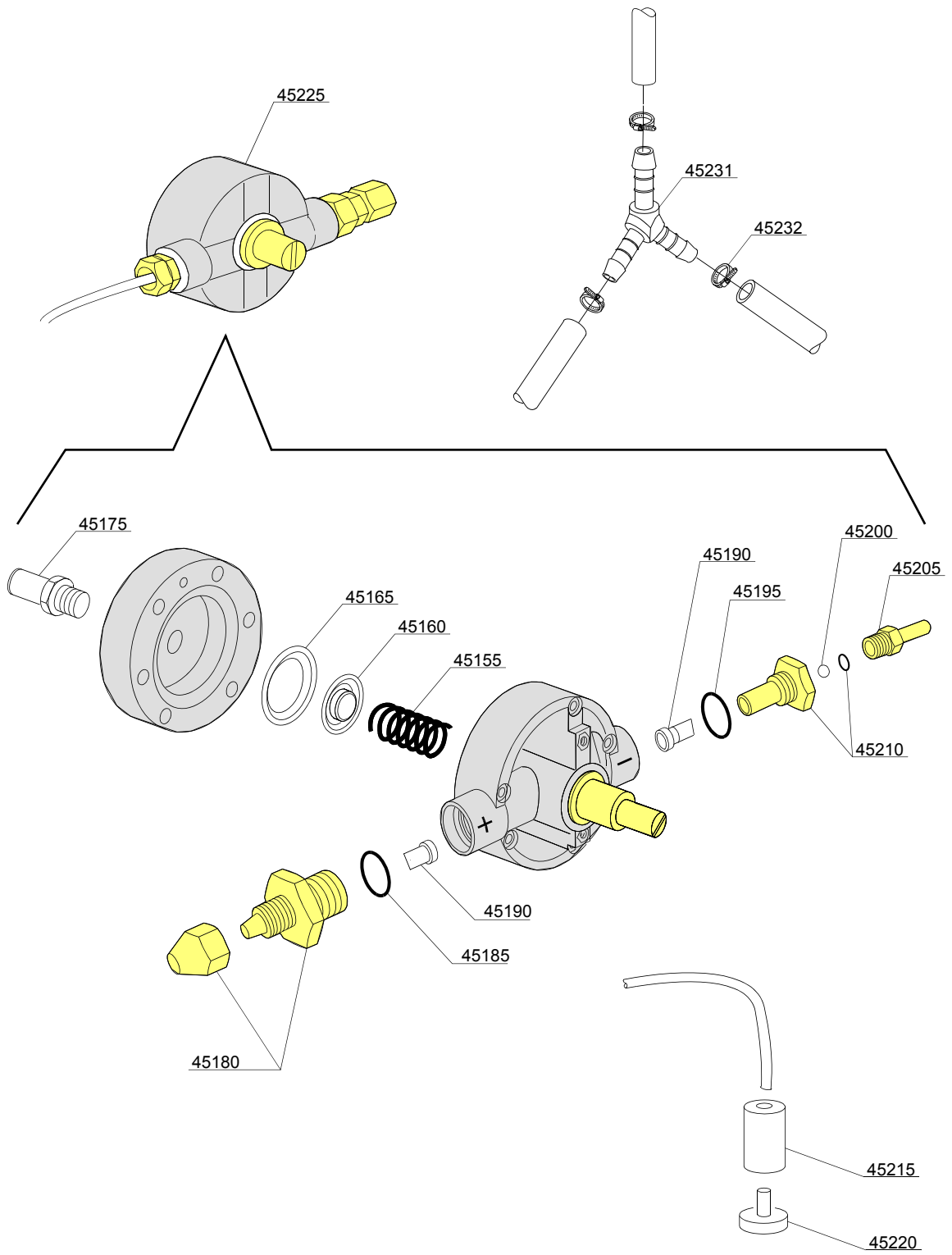
e=ELECTRONICAL SWITCHES, uw=LOWER AND UPPER WASHING, i=INSULATED MODEL

29ELK=29ELK

bt=BREAK TANK, bp=BOOSTER PUMP, dvgw=DVGW, cr=COLD RINSE, ws=WATER SOFTNER, dd=DETERGENT DISPENSER, dp=DRAIN PUMP

A=3/N/PE~380-400V 50-60Hz, D=3/PE~200-210V 50-60Hz, F=2/PE~220-240V 50-60Hz, G=3/N/PE~415V 50-60Hz, H=3/PE~220-230V 50-60Hz, K=3/PE~380-400V 50-60Hz, L=3/PE~415V 50-60Hz, M=3/PE~440V 60Hz, P=1/N/PE~220-230V 50-60Hz, R=2/PE~220-240V 50-60Hz, U=1/N/PE~240V 50-60Hz, V=3/PE~240V 50-60Hz, W=1/N/PE~100-110V 50-60Hz

10_001be



Spare parts

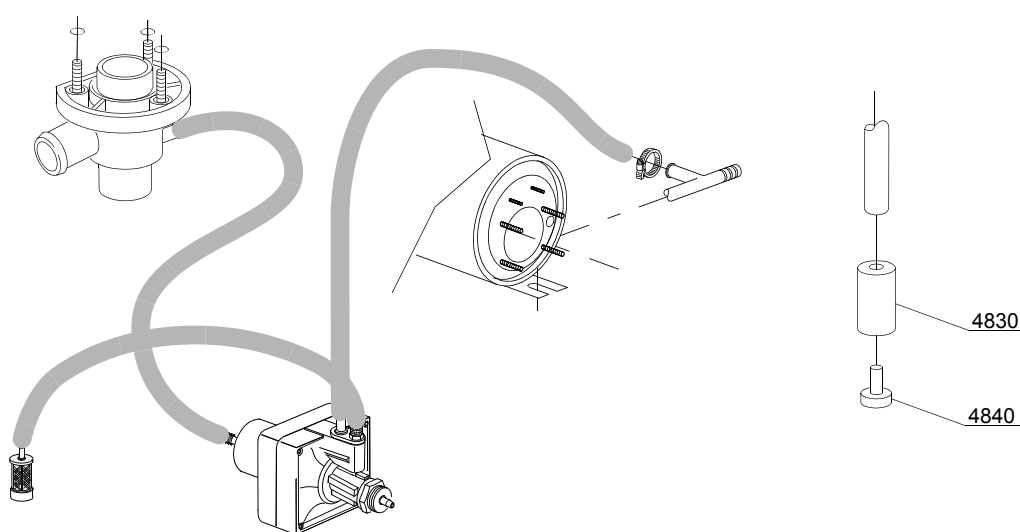
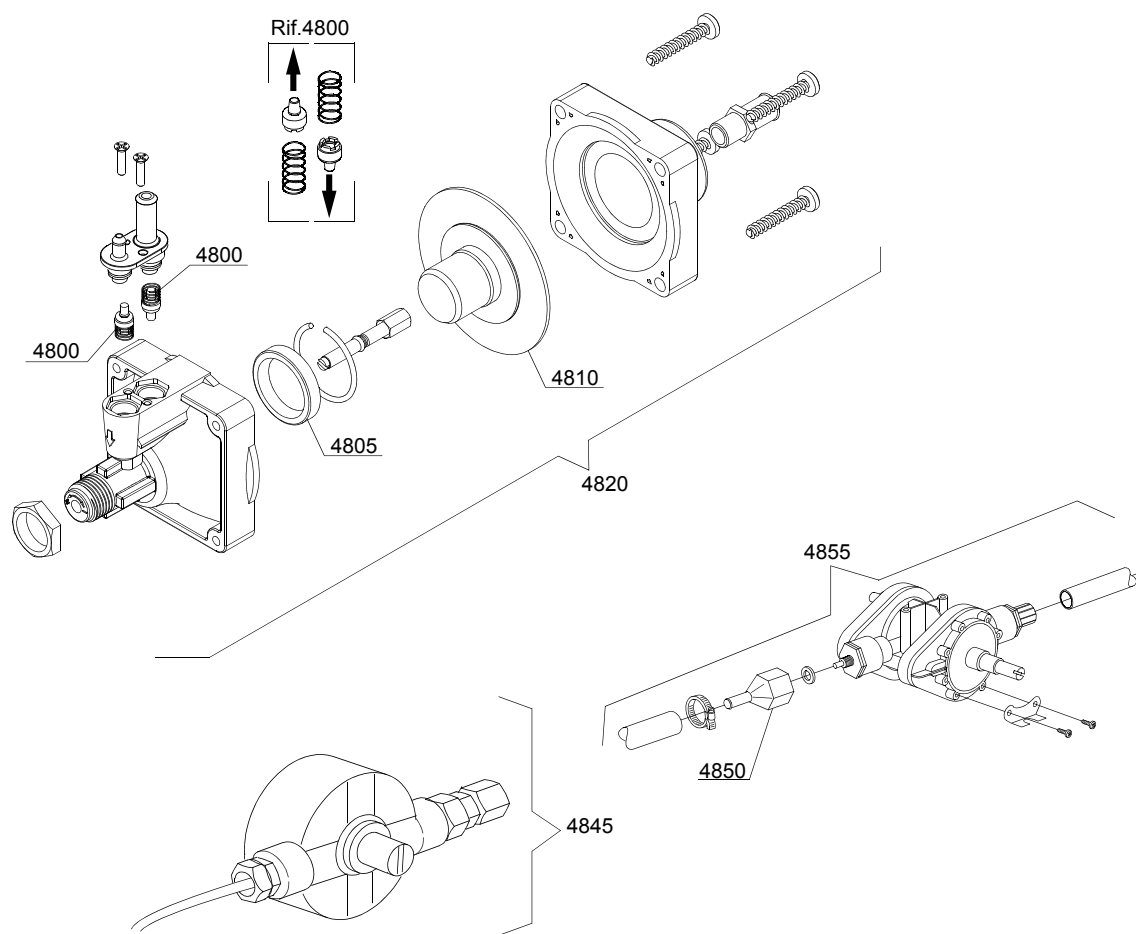
| ID | P-code | SN from | SN to | Mod. | Acces. | Volt | Description |
|--|---------|---------|-------|------|--------|------|----------------------------------|
| Module: Rinse aid dispenser group | | | | | | | |
| 45155 | 10705/M | | - | e,i | | | Spring |
| 45160 | 10705/N | | - | e,i | | | Disc to membrane |
| 45165 | 10750/O | | - | e,i | | | Membrane |
| 45175 | 12506 | | - | e,i | | | Rubber-holder Ø 10mm |
| 45180 | 10705/G | | - | e,i | | | Pipe fitting |
| 45185 | 10705/C | | - | e,i | | | OR-gasket |
| 45190 | 10705/D | | - | e,i | | | Silicone valve |
| 45195 | 10705/C | | - | e,i | | | OR-gasket |
| 45200 | 10705/T | | - | e,i | | | Sphere made of Teflon |
| 45205 | 10705/R | | - | e,i | | | Brass pipe fitting |
| 45210 | 10705/E | | - | e,i | | | OR-gasket Guide valve |
| 45215 | 12525 | | - | e,i | | | Ballast |
| 45220 | 15058 | | - | e,i | | | Small filter (minimum 3 pieces) |
| 45225 | 10799/G | | - | e,i | | | GERMAC rinse aid dispenser |
| 45231 | 540091 | | - | e,i | | | Ø12 mm plastic 3 ways connection |
| 45232 | 11807 | | - | e,i | | | Clamp 12-22 (minimum 3 pieces) |

e=ELECTRONICAL SWITCHES, uw=LOWER AND UPPER WASHING, i=INSULATED MODEL

29ELK=29ELK

bt=BREAK TANK, bp=BOOSTER PUMP, dvgw=DVGW, cr=COLD RINSE, ws=WATER SOFTNER, dd=DETERGENT DISPENSER, dp=DRAIN PUMP

A=3/N/PE~380-400V 50-60Hz, D=3/PE~200-210V 50-60Hz, F=2/PE~220-240V 50-60Hz, G=3/N/PE~415V 50-60Hz, H=3/PE~220-230V 50-60Hz, K=3/PE~380-400V 50-60Hz, L=3/PE~415V 50-60Hz, M=3/PE~440V 60Hz, P=1/N/PE~220-230V 50-60Hz, R=2/PE~220-240V 50-60Hz, U=1/N/PE~240V 50-60Hz, V=3/PE~240V 50-60Hz, W=1/N/PE~100-110V 50-60Hz



10_004_e

Spare parts

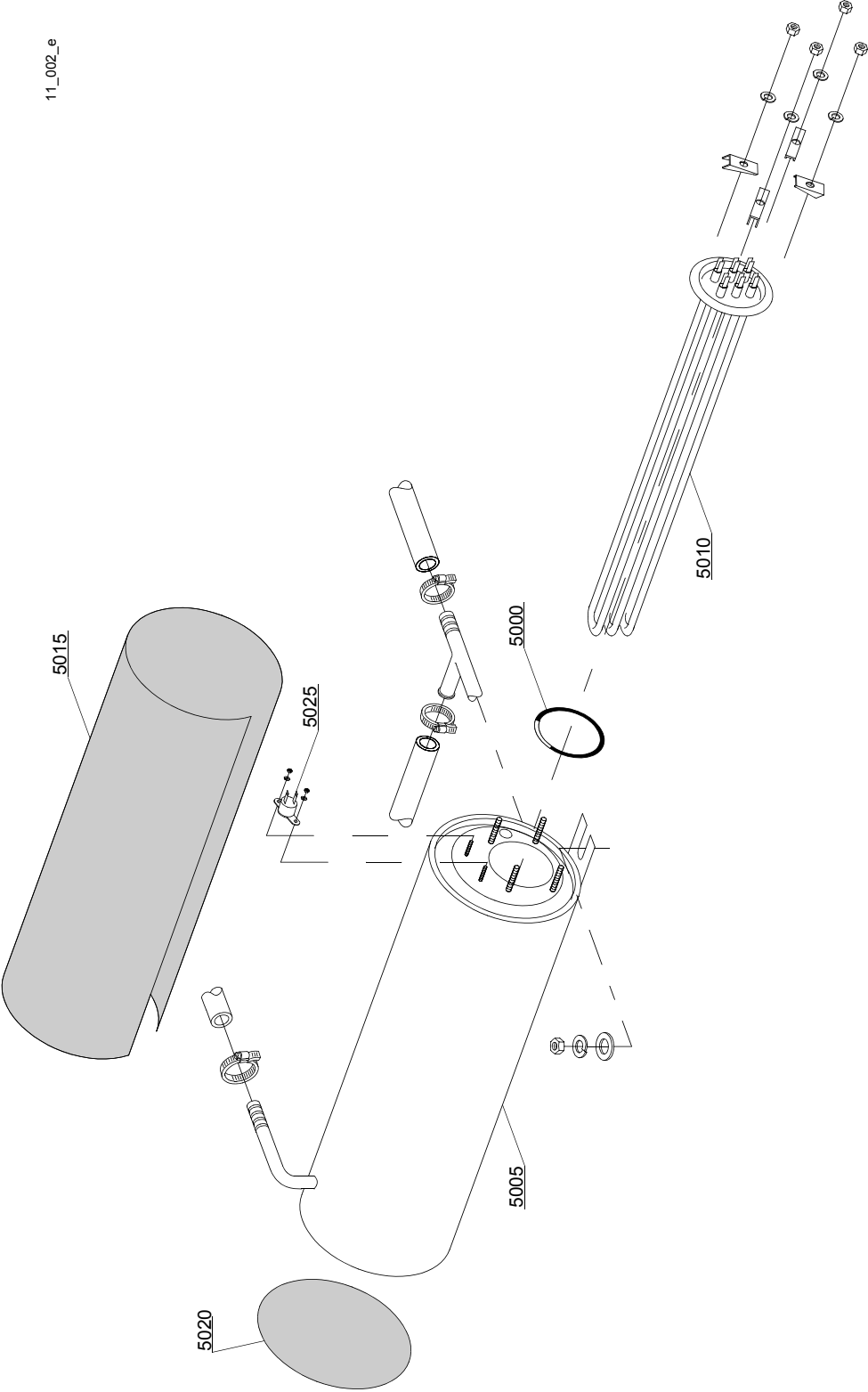
| ID | P-code | SN from | SN to | Mod. | Acces. | Volt | Description |
|--|---------|---------|-------|------|--------|------|---------------------------------|
| Module: Rinse aid dispenser group | | | | | | | |
| 4800 | 10805 | | - | e | | | Tecnopro non return valve |
| 4805 | 10806 | | - | e | | | Ø22 O-ring |
| 4810 | 10807 | | - | e | | | Membrane |
| 4820 | 10799 | | - | e | | | TECNO PRO rinse aid dispenser |
| 4830 | 12525 | | - | e | | | Ballast |
| 4840 | 15058 | | - | e | | | Small filter (minimum 3 pieces) |
| 4845 | 10799 | | - | e | | | GERMAC rinse aid dispenser |
| 4850 | 10798/B | | - | e | | | Brass pipe fitting |
| 4855 | 10798 | | - | e | | | LANG rinse aid dispenser |

e=ELECTRONICAL SWITCHES, uw=LOWER AND UPPER WASHING, i=INSULATED MODEL

29ELK=29ELK

bt=BREAK TANK, bp=BOOSTER PUMP, dvgw=DVGW, cr=COLD RINSE, ws=WATER SOFTNER, dd=DETERGENT DISPENSER, dp=DRAIN PUMP

A=3/N/PE~380-400V 50-60Hz, D=3/PE~200-210V 50-60Hz, F=2/PE~220-240V 50-60Hz, G=3/N/PE~415V 50-60Hz, H=3/PE~220-230V 50-60Hz, K=3/PE~380-400V 50-60Hz, L=3/PE~415V 50-60Hz, M=3/PE~440V 60Hz, P=1/N/PE~220-230V 50-60Hz, R=2/PE~220-240V 50-60Hz, U=1/N/PE~240V 50-60Hz, V=3/PE~240V 50-60Hz, W=1/N/PE~100-110V 50-60Hz



Spare parts

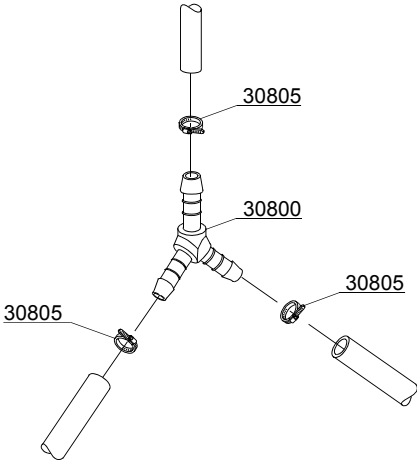
| ID | P-code | SN from | SN to | Mod. | Acces. | Volt | Description |
|----------------------------|---------|---------|-------|------|--------|------|---------------------------------------|
| Module:Boiler group | | | | | | | |
| 5000 | 13005 | | - | e,i | | | OR 151 NBR O-ring (minimum 5 pieces) |
| 5005 | 150905 | | - | e,i | | | Boiler |
| 5005 | 150917 | | - | e,i | | | AISI 314 boiler |
| 5010 | 15089 | | - | e,i | | | 4,5/4,9KW 230/240V 3 heating element |
| 5010 | 15089/B | | - | e,i | | | 4,5KW heating element - 254/440Vac |
| 5010 | 15089/E | | - | e,i | | | 6/6,53KW - 230/240V 3 heating element |
| 5015 | 15066 | | - | e,i | | | Insulation boiler |
| 5020 | 15205 | | - | e,i | | | Ø160 End piece (minimum 2 pieces) |
| 5025 | 15550 | | - | e,i | | | Safety thermostat |

e=ELECTRONICAL SWITCHES, uw=LOWER AND UPPER WASHING, i=INSULATED MODEL

29ELK=29ELK

bt=BREAK TANK, bp=BOOSTER PUMP, dvgw=DVGW, cr=COLD RINSE, ws=WATER SOFTNER, dd=DETERGENT DISPENSER, dp=DRAIN PUMP

A=3/N/PE~380-400V 50-60Hz, D=3/PE~200-210V 50-60Hz, F=2/PE~220-240V 50-60Hz, G=3/N/PE~415V 50-60Hz, H=3/PE~220-230V 50-60Hz, K=3/PE~380-400V 50-60Hz, L=3/PE~415V 50-60Hz, M=3/PE~440V 60Hz, P=1/N/PE~220-230V 50-60Hz, R=2/PE~220-240V 50-60Hz, U=1/N/PE~240V 50-60Hz, V=3/PE~240V 50-60Hz, W=1/N/PE~100-110V 50-60Hz



12_003ae

Spare parts

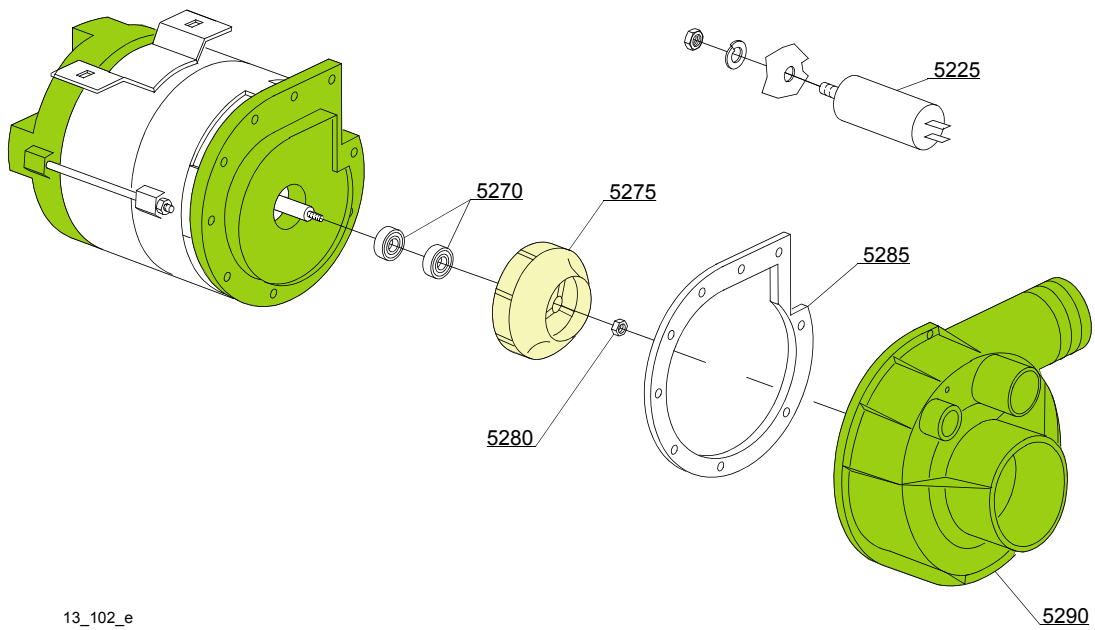
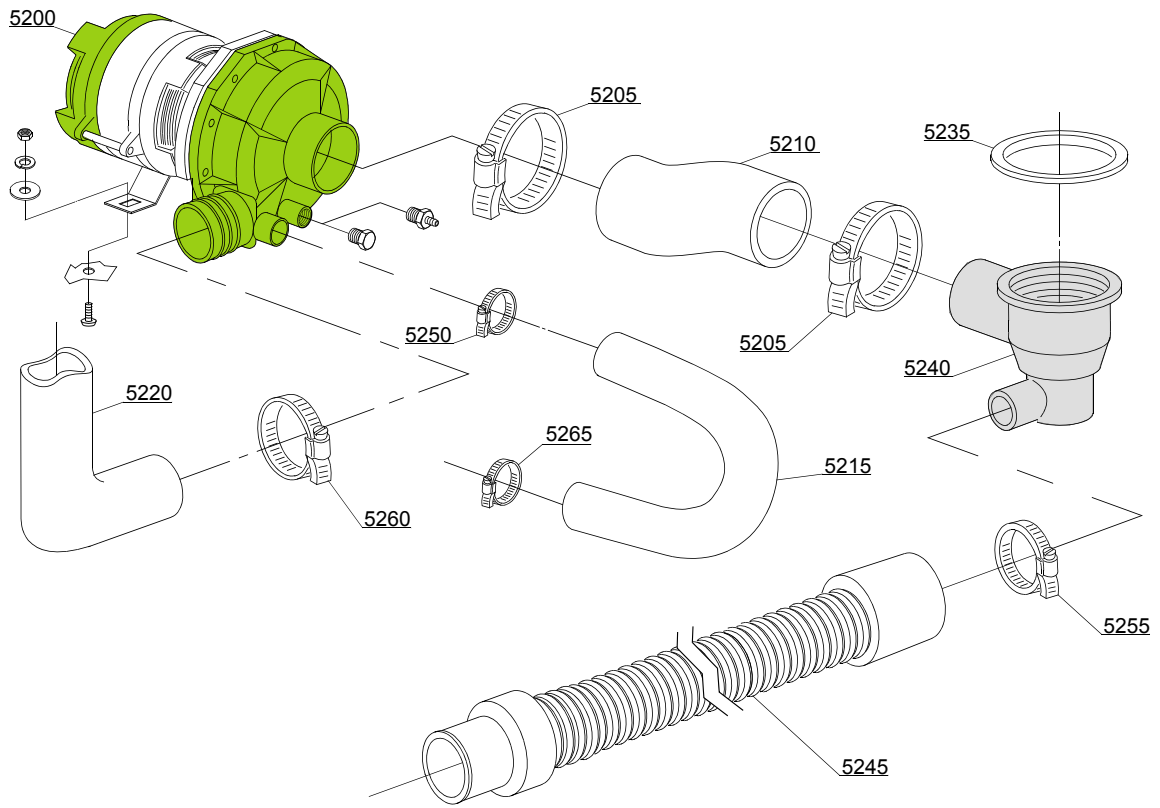
| ID | P-code | SN from | SN to | Mod. | Acces. | Volt | Description |
|---------------------------------|--------|---------|-------|------|--------|------|----------------------------------|
| Module:3 ways connection | | | | | | | |
| 30800 | 540091 | | - | e,i | | | Ø12 mm plastic 3 ways connection |
| 30805 | 11807 | | - | e,i | | | 12/22 clamp (minimum 3 pieces) |

e=ELECTRONICAL SWITCHES, uw=LOWER AND UPPER WASHING, i=INSULATED MODEL

29ELK=29ELK

bt=BREAK TANK, bp=BOOSTER PUMP, dvgw=DVGW, cr=COLD RINSE, ws=WATER SOFTNER, dd=DETERGENT DISPENSER, dp=DRAIN PUMP

A=3/N/PE~380-400V 50-60Hz, D=3/PE~200-210V 50-60Hz, F=2/PE~220-240V 50-60Hz, G=3/N/PE~415V 50-60Hz, H=3/PE~220-230V 50-60Hz, K=3/PE~380-400V 50-60Hz, L=3/PE~415V 50-60Hz, M=3/PE~440V 60Hz, P=1/N/PE~220-230V 50-60Hz, R=2/PE~220-240V 50-60Hz, U=1/N/PE~240V 50-60Hz, V=3/PE~240V 50-60Hz, W=1/N/PE~100-110V 50-60Hz



13_102_e

Spare parts

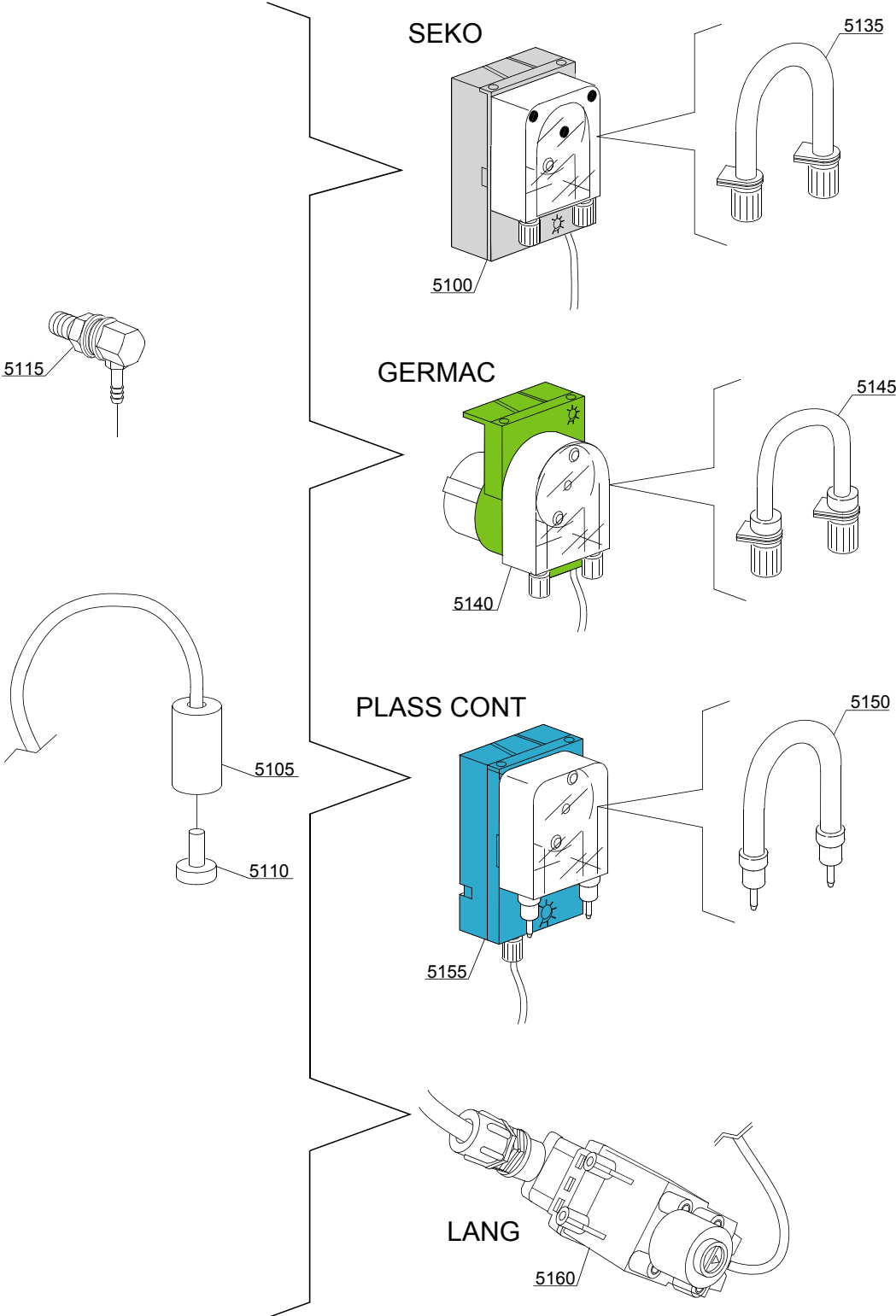
| ID | P-code | SN from | SN to | Mod. | Acces. | Volt | Description |
|-------------------------|---------|---------|-------|------|--------|------|--------------------------------------|
| Module:Wash pump | | | | | | | |
| 5200 | 15908/O | | - | uw,i | | | 0,75Hp - 200Vac 50Hz wash pump |
| 5200 | 15908/D | | - | uw,i | | | 1Hp wash pump - 220/240Vac 50Hz |
| 5200 | 15908/E | | - | uw,i | | A | 0,75Hp wash pump - 440V/3/60Hz |
| 5205 | 11824 | | - | uw,i | | | 50/70 clamp (minimum 2 pieces) |
| 5210 | 25032 | | - | uw,i | | | Suction pipe coupling |
| 5215 | 560014 | | - | uw,i | | | Pump/lower wash turret delivery pipe |
| 5220 | 560008 | | - | uw,i | | | Top delivery pipe |
| 5225 | 15081 | | - | uw,i | | | 12,5 uF condenser |
| 5235 | 80208 | | - | uw,i | | | 95x75x3 O-ring (minimum 2 pieces) |
| 5240 | 500606 | | - | uw,i | | | Right side scrap tray |
| 5245 | 10727 | | - | uw,i | | | Drain pipe |
| 5250 | 11806 | | - | uw,i | | | 25/40 clamp (minimum 2 pieces) |
| 5255 | 11807 | | - | uw,i | | | 12/22 clamp (minimum 3 pieces) |
| 5260 | 11810 | | - | uw,i | | | 40/60 clamp (minimum 2 pieces) |
| 5265 | 11809 | | - | uw,i | | | 30/45 clamp (minimum 2 pieces) |
| 5270 | 15080/C | | - | uw,i | | | Rotating seals |
| 5270 | 15080 | | - | uw,i | | | Rotating seals (1HP) |
| 5275 | 15079/B | | - | uw,i | | | Pump rotor |
| 5275 | 15912 | | - | uw,i | | | Pump rotor (1HP) |
| 5280 | 11724 | | - | uw,i | | | M6 stainless steel nut |
| 5285 | 15079/D | | - | uw,i | | | O-ring |
| 5290 | 15031/E | | - | uw,i | | | Scroll |

e=ELECTRONICAL SWITCHES, uw=LOWER AND UPPER WASHING, i=INSULATED MODEL

29ELK=29ELK

bt=BREAK TANK, bp=BOOSTER PUMP, dvgw=DVGW, cr=COLD RINSE, ws=WATER SOFTNER, dd=DETERGENT DISPENSER, dp=DRAIN PUMP

A=3/N/PE~380-400V 50-60Hz, D=3/PE~200-210V 50-60Hz, F=2/PE~220-240V 50-60Hz, G=3/N/PE~415V 50-60Hz, H=3/PE~220-230V 50-60Hz, K=3/PE~380-400V 50-60Hz, L=3/PE~415V 50-60Hz, M=3/PE~440V 60Hz, P=1/N/PE~220-230V 50-60Hz, R=2/PE~220-240V 50-60Hz, U=1/N/PE~240V 50-60Hz, V=3/PE~240V 50-60Hz, W=1/N/PE~100-110V 50-60Hz



14_004_e

Spare parts

| ID | P-code | SN from | SN to | Mod. | Acces. | Volt | Description |
|--------------------------------------|---------|---------|-------|------|--------|------|-----------------------------------|
| Module:Dosing detergent group | | | | | | | |
| 5100 | 15985 | | - | i,e | dd | | Seko detergent pump |
| 5105 | 12525 | | - | i,e | dd | | Ballast |
| 5110 | 15058 | | - | i,e | dd | | Small filter (minimum 3 pieces) |
| 5115 | 15123 | | - | i,e | dd | | Compleat stainless steel injector |
| 5135 | 15185 | | - | i,e | dd | | Seko thermoplastic pipe |
| 5140 | 15985 | | - | i,e | dd | | Germac detergent pump |
| 5145 | 15108/E | | - | i,e | dd | | Germac thermoplastic pipe |
| 5150 | 15985/A | | | i,e | dd | | Plas Cont thermoplastic pipe |
| 5155 | 15985 | | | i,e | dd | | Plas Cont detergent pump |
| 5160 | 15108/L | | | i,e | dd | | LANG detergent pump |

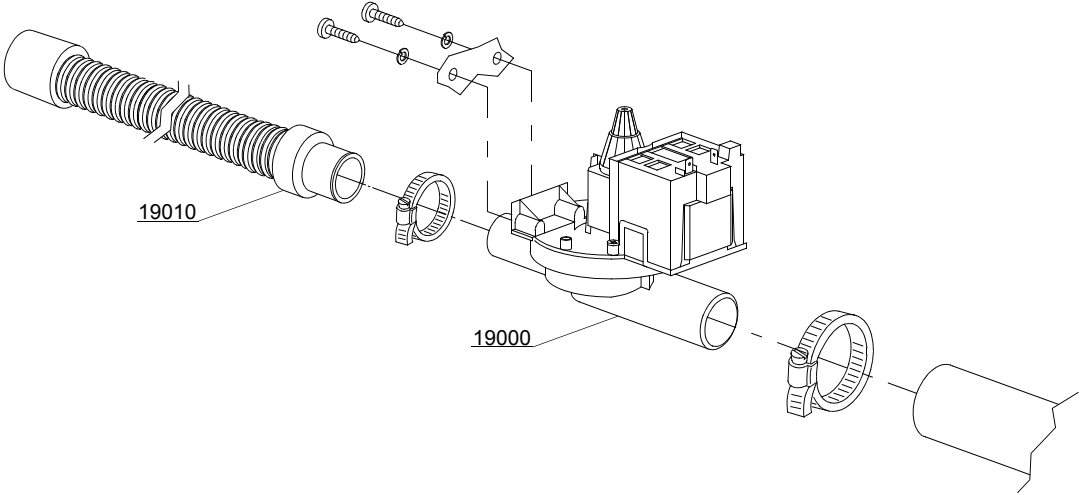
e=ELECTRONICAL SWITCHES, uw=LOWER AND UPPER WASHING, i=INSULATED MODEL

29ELK=29ELK

bt=BREAK TANK, bp=BOOSTER PUMP, dvgw=DVGW, cr=COLD RINSE, ws=WATER SOFTNER, dd=DETERGENT DISPENSER, dp=DRAIN PUMP

A=3/N/PE~380-400V 50-60Hz, D=3/PE~200-210V 50-60Hz, F=2/PE~220-240V 50-60Hz, G=3/N/PE~415V 50-60Hz, H=3/PE~220-230V 50-60Hz, K=3/PE~380-400V 50-60Hz, L=3/PE~415V 50-60Hz, M=3/PE~440V 60Hz, P=1/N/PE~220-230V 50-60Hz, R=2/PE~220-240V 50-60Hz, U=1/N/PE~240V 50-60Hz, V=3/PE~240V 50-60Hz, W=1/N/PE~100-110V 50-60Hz

15_002_e



Spare parts

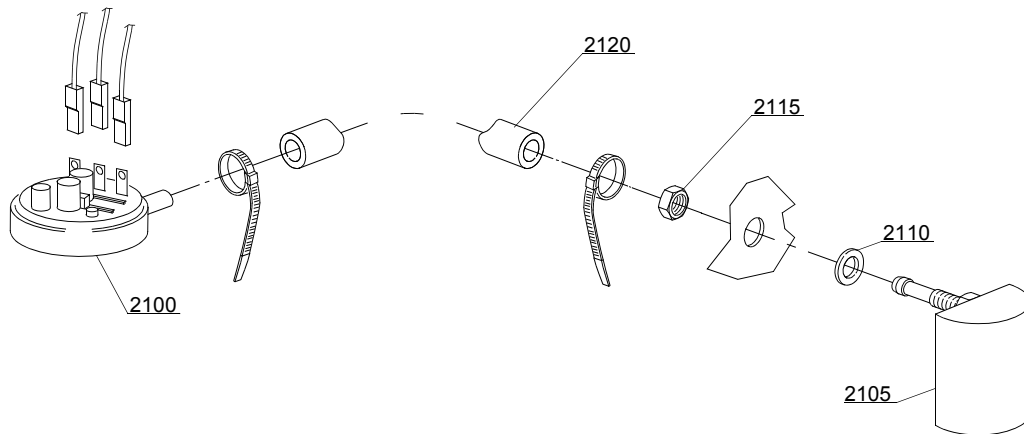
| ID | P-code | SN from | SN to | Mod. | Acces. | Volt | Description |
|---------------------------------|---------|---------|-------|------|--------|------|------------------------|
| Module: Drain pump group | | | | | | | |
| 19000 | 15101/A | | - | i,e | dp | A | Drain pump - 50Hz |
| 19000 | 15101/B | | - | i,e | dp | | Drain pump - 220V 60Hz |
| 19010 | 10727 | | - | i,e | dp | | Drain pipe |

e=ELECTRONICAL SWITCHES, uw=LOWER AND UPPER WASHING, i=INSULATED MODEL

29ELK=29ELK

bt=BREAK TANK, bp=BOOSTER PUMP, dvgw=DVGW, cr=COLD RINSE, ws=WATER SOFTNER, dd=DETERGENT DISPENSER, dp=DRAIN PUMP

A=3/N/PE~380-400V 50-60Hz, D=3/PE~200-210V 50-60Hz, F=2/PE~220-240V 50-60Hz, G=3/N/PE~415V 50-60Hz, H=3/PE~220-230V 50-60Hz, K=3/PE~380-400V 50-60Hz, L=3/PE~415V 50-60Hz, M=3/PE~440V 60Hz, P=1/N/PE~220-230V 50-60Hz, R=2/PE~220-240V 50-60Hz, U=1/N/PE~240V 50-60Hz, V=3/PE~240V 50-60Hz, W=1/N/PE~100-110V 50-60Hz



16_001_e

Spare parts

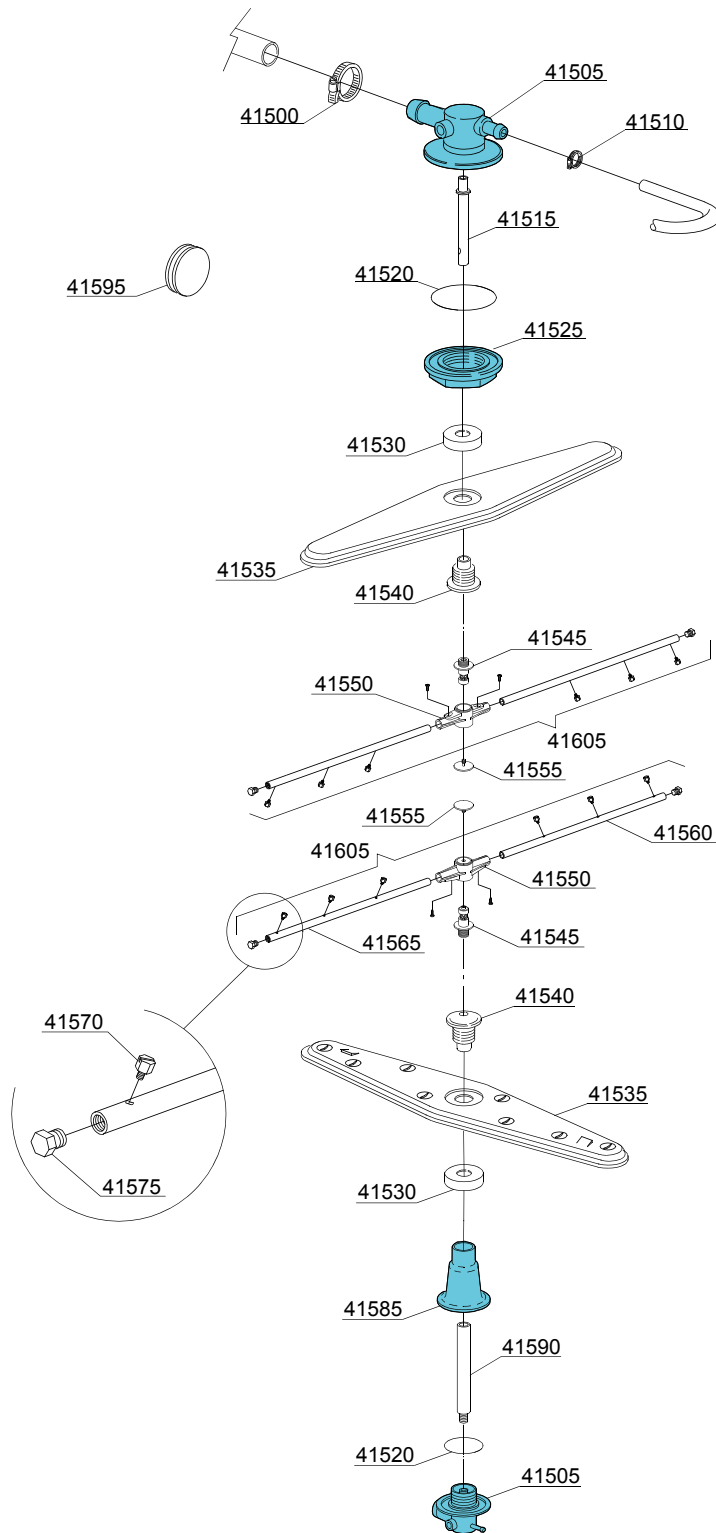
| ID | P-code | SN from | SN to | Mod. | Acces. | Volt | Description |
|---|----------|---------|-------|------|--------|------|--|
| Module:Pressure switch group with air trap | | | | | | | |
| 2100 | 10706/A | | - | i,e | | | 47-27 pressure switch |
| 2105 | 135911/D | 4020618 | - | i | | | Grey air trap assembly |
| 2110 | 13301 | | - | i,e | | | O-ring (minimum 10 pieces) - D14x8x1,5 |
| 2115 | 11702 | | - | i,e | | | M8 stainless steel nut (minimum 10 pieces) |
| 2120 | 14508 | | - | i,e | | | 4,5X9 EPDM rubber hose (minimum 2mt) |

e=ELECTRONICAL SWITCHES, uw=LOWER AND UPPER WASHING, i=INSULATED MODEL

29ELK=29ELK

bt=BREAK TANK, bp=BOOSTER PUMP, dvgw=DVGW, cr=COLD RINSE, ws=WATER SOFTNER, dd=DETERGENT DISPENSER, dp=DRAIN PUMP

A=3/N/PE~380-400V 50-60Hz, D=3/PE~200-210V 50-60Hz, F=2/PE~220-240V 50-60Hz, G=3/N/PE~415V 50-60Hz, H=3/PE~220-230V 50-60Hz, K=3/PE~380-400V 50-60Hz, L=3/PE~415V 50-60Hz, M=3/PE~440V 60Hz, P=1/N/PE~220-230V 50-60Hz, R=2/PE~220-240V 50-60Hz, U=1/N/PE~240V 50-60Hz, V=3/PE~240V 50-60Hz, W=1/N/PE~100-110V 50-60Hz



17_127_e

Spare parts

| ID | P-code | SN from | SN to | Mod. | Acces. | Volt | Description |
|---|---------|---------|-------|------|--------|------|--|
| Module:Turret group with rotating arms | | | | | | | |
| 41500 | 11806 | | - | uw,e | | | 25/40 clamp (minimum 2 pieces) |
| 41505 | 500612 | | - | uw,e | | | Top/lower turret |
| 41510 | 11807 | | - | uw,e | | | 12/22 clamp (minimum 3 pieces) |
| 41515 | 500703 | | - | uw,e | | | Upper rinse axle extension |
| 41520 | 13015 | | - | uw,e | | | 6225 OR 160 NBR O-ring (minimum 5 pieces) |
| 41525 | 500623 | | - | uw,e | | | Ring nut for fixing turret |
| 41530 | 500702 | | - | uw,e | | | Nut for wash arm bearing 05 (inox rinse arm) |
| 41535 | 500700 | | - | uw,e | | | Stainless steel wash rotor |
| 41540 | 500701 | | - | uw,e | | | Hub for rotor (inox rinse arm) |
| 41545 | 10651 | | - | uw,e | | | Rinse axle |
| 41550 | 10650 | | - | uw,e | | | Rinse arm |
| 41555 | 10652 | | - | uw,e | | | Rinse arm screw |
| 41560 | 10657 | | - | uw,e | | | Right rinse arm - stainless steel nozzle |
| 41565 | 10658 | | - | uw,e | | | Left rinse arm - stainless steel nozzle |
| 41570 | 560018 | | - | uw,e | | | Stainless steel rinse nozzle |
| 41575 | 560017 | | - | uw,e | | | Rinse arm plug |
| 41580 | 550220 | | - | uw,e | | | Hub rotor/pipe coupling spacer |
| 41585 | 500706 | | - | uw,e | | | Lower pipe coupling |
| 41590 | 500705 | | - | uw,e | | | Rinse lower distributor connection axle |
| 41595 | 13316/A | | - | uw,e | | | DVGW hole O-ring |
| 41605 | 75918 | | - | uw,e | | | Top/lower rinse arm complete |

e=ELECTRONICAL SWITCHES, uw=LOWER AND UPPER WASHING, i=INSULATED MODEL

29ELK=29ELK

bt=BREAK TANK, bp=BOOSTER PUMP, dvgw=DVGW, cr=COLD RINSE, ws=WATER SOFTNER, dd=DETERGENT DISPENSER, dp=DRAIN PUMP

A=3/N/PE~380-400V 50-60Hz, D=3/PE~200-210V 50-60Hz, F=2/PE~220-240V 50-60Hz, G=3/N/PE~415V 50-60Hz, H=3/PE~220-230V 50-60Hz, K=3/PE~380-400V 50-60Hz, L=3/PE~415V 50-60Hz, M=3/PE~440V 60Hz, P=1/N/PE~220-230V 50-60Hz, R=2/PE~220-240V 50-60Hz, U=1/N/PE~240V 50-60Hz, V=3/PE~240V 50-60Hz, W=1/N/PE~100-110V 50-60Hz