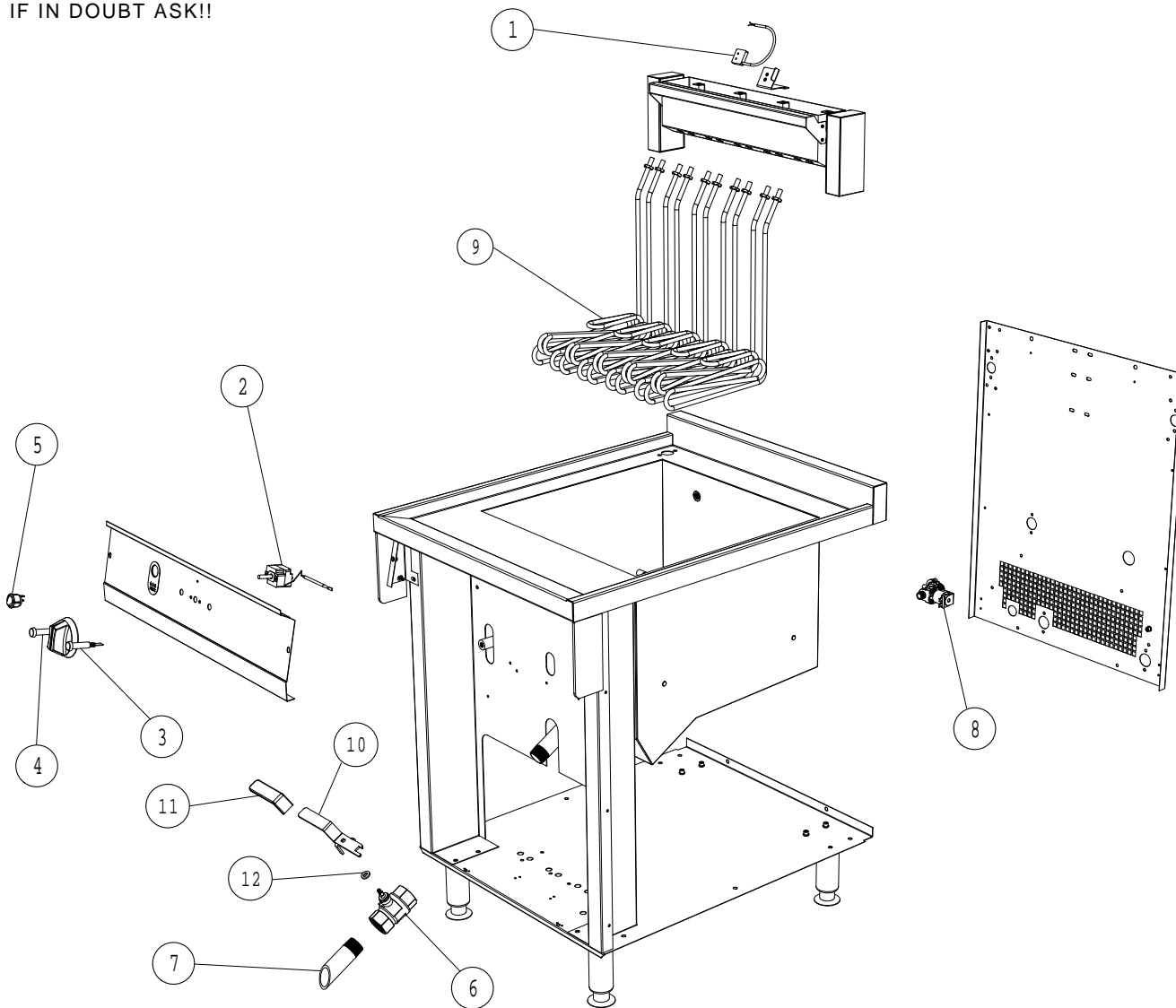
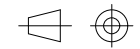


IF IN DOUBT ASK!!

DO NOT SCALE !!

First Angle Projection



ITEM	DESCRIPTION	SPARE No
1	TILT SWITCH	735750014
2	OPERATING THERMOSTAT	735750015
3	RED INDICATOR	735750016
4	AMBER INDICATOR	735750017
5	MOMENTORY SWITCH	735750018
6	DRAIN VALVE	735750019
7	DRAIN SPOUT	735750020
8	SOLENOID	735750021
9	ELEMENT	735760007
10	DRAIN HANDLE	735750028
11	DRAIN HANDLE SLEEVE	735750029
12	DRAIN HANDLE SPACER	735750030

All Dimensions in millimetres, Tolerance- Linear  $\pm 0.5\text{mm}$  Angular  $\pm 0.5^\circ$  (or as stated)

A		RELEASED TO PRODUCTION		S. BROWN	07/10/05
G	Issue	Mod No.	Alteration	Zone	Drawn by



Drawn	S. MOONEY	Product	E2206 ELECTRIC PASTA BOILER	
Date	3/11/04	Title	SPARES - CONTROLS	
Scale	NTS	Matl.	Drawing Number	Issue
No. off		Bin No.	Kraus No. T111548	AD43223
				A

No reproduction or publication of this drawing may be made and no article may be manufactured or assembled in accordance with this drawing without prior written consent. This prohibition is a condition of any contract relating to this drawing. Rights reserved under the Copyright Act 1956 as amended by the Design Copyright Act 1988.

This part is common to the following units

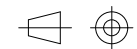
**UNCONTROLLED**

Falcon Foodservice Equipment. Wallace View Hillfoots Road Stirling Scotland

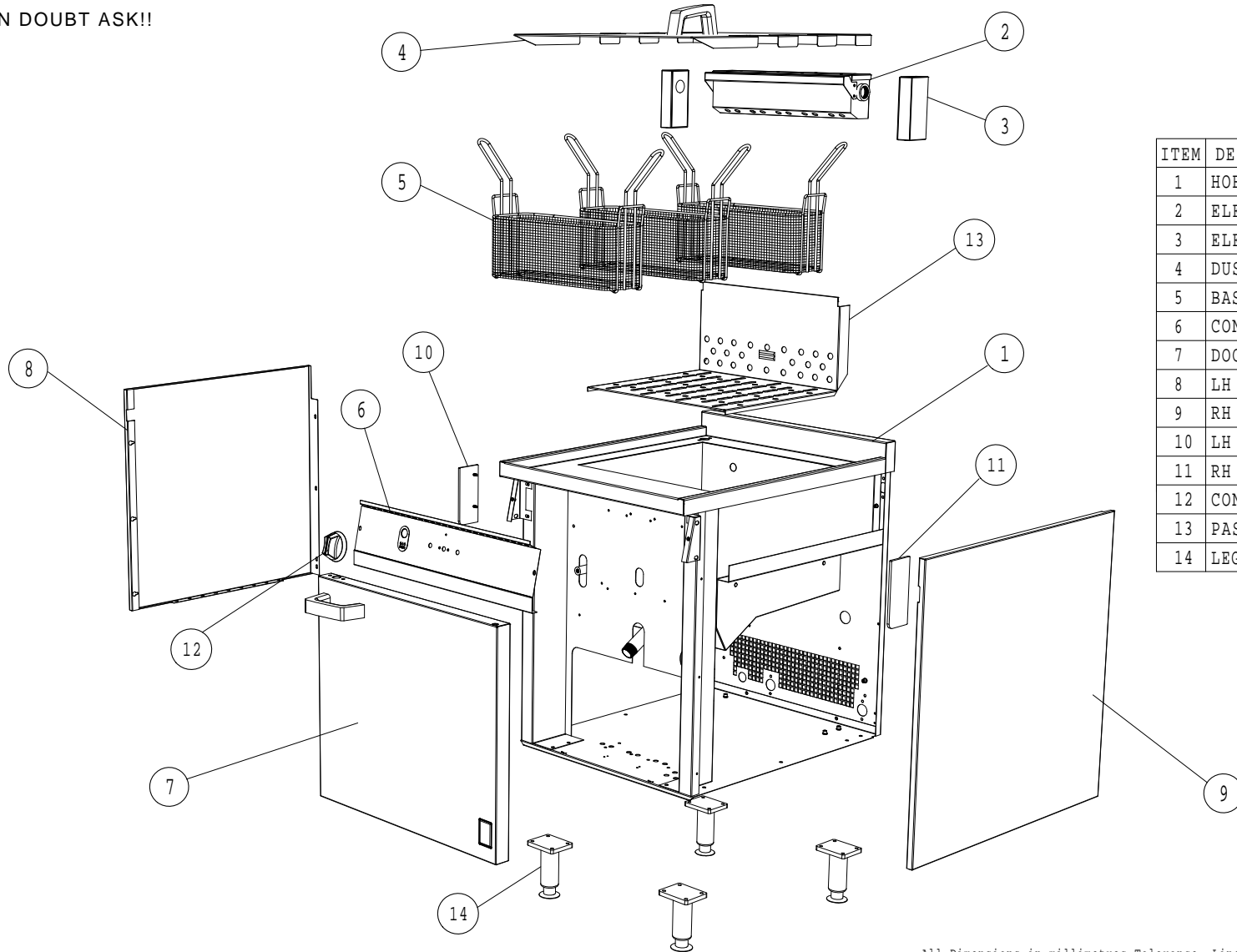
IF IN DOUBT ASK!!

DO NOT SCALE !!

First Angle Projection



ITEM	DESCRIPTION	SPARE No
1	HOB AND PAN ASSY	735760000
2	ELEMENT TERMINAL BOX ASSY	735760001
3	ELEMENT SUPPORT BOX ASSY	735750002
4	DUST COVER ASSY	735760002
5	BASKET	735760003
6	CONTROL PANEL	735760004
7	DOOR ASSY	735760005
8	LH SIDE PANEL	735750007
9	RH SIDE PANEL	735750008
10	LH END CHEEK	735750009
11	RH END CHEEK	735750010
12	CONTROL KNOB	735750011
13	PASTA PLATE	735760006
14	LEG	735750013



All Dimensions in millimetres, Tolerance- Linear  $\pm 0.5\text{mm}$  Angular  $\pm 0.5^\circ$  (or as stated)

A		RELEASED TO PRODUCTION		S. BROWN	07/10/05
G	Issue	Mod No.	Alteration	Zone	Drawn by



Drawn	S. MOONEY	Product	E2206 ELECTRIC PASTA BOILER	
Date	2/11/04	Title	SPARES - FITMENTS	
Scale	NTS	Matl.	Drawing Number	Issue
No. off		Finish	AD43222	A
Bin No.		Kraus No.	T111547	

No reproduction or publication of this drawing may be made and no article may be manufactured or assembled in accordance with this drawing without prior written consent. This prohibition is a condition of any contract relating to this drawing. Rights reserved under the Copyright Act 1956 as amended by the Design Copyright Act 1988.

This part is common to the following units

**UNCONTROLLED**

Falcon Foodservice Equipment. Wallace View Hillfoots Road Stirling Scotland