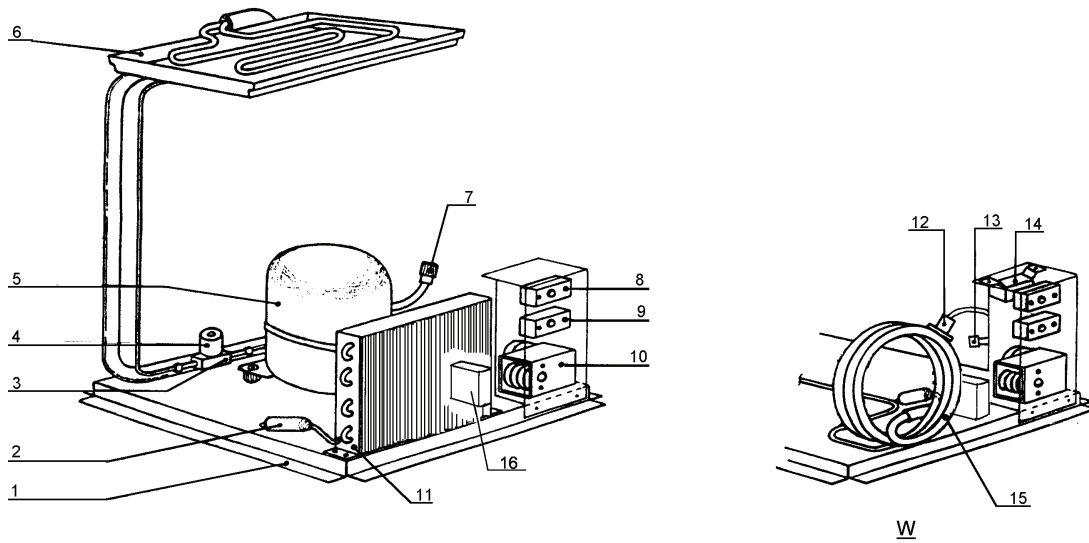


Ref.	Description	Refrigerant	A/W	Tension	Code
1	Foamed cabinet assy				C11051
2	Out way ice cubes screw /ice cubes transport screw				20281
3	Sprayers feeding pipe				13005
4	Pump suction filter				20005
5	Sprayers bar assembly				C20189
6	Sprayers bar plug				10012
7	Sprayer				D20002
8	Evaporator basin assembly				C10267
9	Overflow tube assembly				C10133
10	Plastic nipple water outlet				10007
11	Back grid				D12047
12	Discharges manifold		A		C10006
12	Discharges manifold		W		C26452
13	Inlet watervalve 1 way		A		23001
13	Inlet watervalve 2 ways		W		23010
14	Gearmotor				23310
15	Screw connection bush for ice cubes transport				20280
16	Ice cubes slide				D12038
17	Back panel assembly				C22346
18	Evaporator cover				10023
19	Top assembly				C22342
20	Flags support assy				C22035
22	Front-upper panel assy				C22347
23	Bulb thermostat tube				20522
24	Panel with distributor				D22338
25	Cubes holding plate				22402
26	Microswitch				23055
27	Push ice dispenser assembly				C26544
28	Front grid panel				22343
29	Glass support				22350
30	Drip tray				22349
31	Plug foot				10025
32	Suction impeller				10213
33	Hub+washer+screw				10014
34	Pump				23002
35	Pump delivery pipe				13016
36	Pump suction pipe				13015
38	Overflow pipe				13108

Note: Code C10133 from serial no. 64086. Previous serial no. code 13030.
 Code 13108 from serial no. 64086. Previous serial no. code 13030.
 Code 20522 from serial no. 95201. Previous serial no. code 20017.

COOLING SYSTEM ASSEMBLY Mod. DSS42 A/W - Cube D (Cod. 24370)



Ref.	Description	Refrigerant	A/W	Tension	Code
1	Base plate				21013
2	Molecular drier				14009
3	Hot gas valve body				20410
4	Hot gas coil				23091
5	Compressor	R404A		1	23437
5	Compressor	R404A		2	23495
5	Compressor	R22		1	23320
5	Compressor	R22		2	23344
6	Evaporator				D10113
7	Vacuum-charge valve device				14005
7	Vacuum-charge valve plug				14006
7	Vacuum- charge valve body				14007
8	Bin thermostat				23005
9	Evaporator thermostat				23591
10	Timer				23247
11	Air condenser		A		20019
12	Safety thermostat		W		C23114
13	Anti radio interference filter		W	1	23457
14	Condenser pressure switch		W		23175
15	Water condenser		W		14014
16	Electronic timer				23561

Note:

Erklärung zu Ersatzteillisten in den Spalten Tension-Spannung

1	Spannung	220-240V	50Hz
2	Spannung	220-230V	60Hz
3	Spannung	110 115V	60Hz
4	Spannung	230V3P	50Hz
5	Spannung	400V	50Hz
6	Spannung	220-230V3P	60Hz
7	Spannung	440-460V3P	60Hz