

TAV. 016

ARMADIO 1400 Lt.  
 SERIE ZEUS  
 Mod.  
 D140DNB2

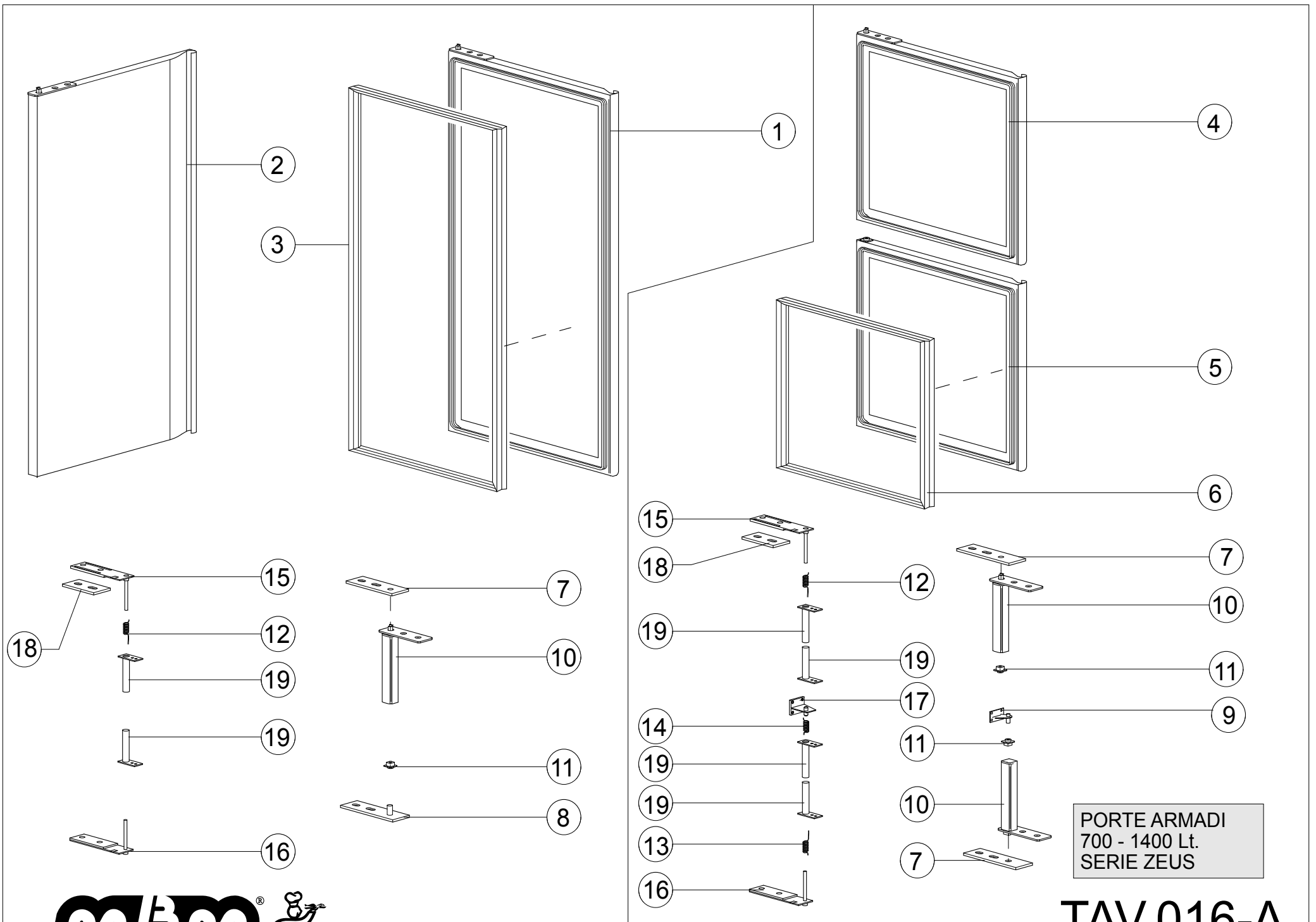


TAV.015

MODELLO MODEL MODELL MODELE	POS.	CODICE CODE KODE CODE	DESCRIZIONE	DESCRIPTION	BESCHREIBUNG	DESCRIPTION
--------------------------------------	------	--------------------------	-------------	-------------	--------------	-------------

D140DNB2	1	022289-00	ANIMA PER PROFILO DA 739 MM	FRAME S.STEEL STRIP	S. STAHLBAND F. RAHMEN	ÂME EN ACIER INOXYDABLE POUR PROFIL
D140DNB2	2	022290-00	ANIMA PER PROFILO DA 1599 MM	FRAME S.STEEL STRIP	S. STAHLBAND F. RAHMEN	ÂME EN ACIER INOXYDABLE POUR PROFIL
D140DNB2	3	023375-00	ASSIEME PIEDE REG. PLAST.+A304 115-165	PLASTIC+S.STEEL LEG	CNS+PLASTIKFUSS	PIED EN PLASTIQUE+ACIER INOX
D140DNB2	-	TAV.016A	ASS. PORTA DX ZEUS "ZE" DEXION	COMPLETE RIGHT-HAND DOOR	KOMPLETTE RECHTSÖFFNENDE TÜR	ENSEMBLE PORTE DROITE
D140DNB2	-	TAV.016A	ASS. PORTA SX ZEUS "ZE" DEXION	COMPLETE LEFT-HAND DOOR	KOMPLETTE LINKSÖFFNENDE TÜR	ENSEMBLE PORTE GAUCHE
D140DNB2	4	013486-00	SERRATURA CHIAVE UNICA CAT. LEVA PER FV	DOOR LOCK - FD MODELS	TUERSCHLOSS	SERRURE PORTE
D140DNB2 (-2°C)	-	TAV.012 (023922-00)	ASS. COMPR. ZEUS +1/-2°C 700 LT	COMPLETE CONDENSING UNIT	GESAMTE KONDENSATIONS-EINHEIT	GROUPE DE CONDENSATION
D140DNB2 (-25°C)	-	TAV.004 (023935-00)	ASS. COMPR. ZEUS -25/-10°C 1400 LT	COMPLETE CONDENSING UNIT	GESAMTE KONDENSATIONS-EINHEIT	GROUPE DE CONDENSATION
D140DNB2 (-2°C)	-	TAV.011 (023929-00)	ASS. EVAP. ZEUS -2°C 700LT	COMPLETE EVAPORATING UNIT	GESAMTE VERDAMPFUNGSEINHEIT	GROUPE DE EVAPORATION
D140DNB2 (-25°C)	-	TAV.011 (023936-00)	ASS. EVAP. ZEUS -25°C 1400LT	COMPLETE EVAPORATING UNIT	GESAMTE VERDAMPFUNGSEINHEIT	GROUPE DE EVAPORATION
D140DNB2	5	013528-00	CONVOGLIATORE ARIA IN ABS 7378	AIR-OUTLET CONVEYOR	LUFTKONVEYOR-ZELLE	CONVOYEUR AIR
D140DNB2	6	023848-00	ASS. COPERCHIO EVAP. ARES/ZEUS	EVAPORATOR COVER	VERDAMPFERABDECKUNG	COUVERCLE ÉVAPORATEUR
D140DNB2	7	023602-00	SQUADR. RINF. COPERCHIO EVAP. ARES/ZEUS	EVAPORATOR COVER HOLDER	HALTERUNG VERDAMPFERABDECKUNG	SUPPORT COUVERCLE ÉVAPORATEUR
D140DNB2	8	023612-01	FIANCO SUP. DX/SX ZEUS 700/1400 LT	TOP RIGHT/LEFT PANEL	OBERES RECHTES/LINKES PANEEL	PANNEAU SUPÉRIEUR DROITE/GAUCHE
D140DNB2	9	023572-00	RINF POST L=1478,5FIANCO SUP DX/SX ARES	TOP BACK-SIDE PANEL	OBERES RÜCKWANDPANEEL	PANNEAU SUPÉRIEUR LATÉRAL-ARRIÈRE
D140DNB2	10	011548-02	CAVO ALIM. G32 HO5VV-F 3G1.5 CM300	POWER SUPPLY CORD	SPEISUNGSKABEL	CORDON D'ALIMENTATION
D140DNB2	11	022176-00	CONTATTO REED PER FD	DOOR MAGNETIC MICROSWITCH	MIKRO-MAGNETSCHALTER TÜR	MICRORUPTEUR MAGNÉTIQUE PORTE
D140DNB2	12	020520-00	MODULO DI POTENZA LAE SSD90C65E-C	POWER CONTROL UNIT	LEISTUNGSMODUL	UNITÉ DE COMMANDE ALIMENTATION
D140DNB2	13	021390-01	MASCHERINA RESINATA RACC. DEXION SMD34	DEXION INSTRUMENT BLUE FRAME	DEXION-INSTRUMENT BLAUER RAHMEN	ÉTIQUETTE EN RÉSINE DEXION
D140DNB2	14	020521-00	PIATTINA DI COLLEGAMENTO FC10-10M01	FLAT CONNECTOR	FLACHSTECKER	FIL DE CONNEXION
D140DNB2	15	020522-00	DISPLAY REMOTO SMD34RU PER FV	REMOTE DISPLAY KEYBOARD	FERNDISPLAY TASTATUR	CLAVIER TÉLÉAFFICHAGE
D140DNB2	16	024323-00	ASS. CRUSC. SMD34 RACC. 1400 2T (STANDARD) MBM	INSTRUMENT S.TEEL PANEL (STANDARD) 2-TEMP.	INSTRUMENTENTAFEL STAHL (STANDARD) 2-TEMP.	PANNEAU INSTRUMENTS EN ACIER INOXYDABLE (STANDARD) 2-TEMP.
D140DNB2	17	015210-00	MORSETTO FISSACAVO 3040/LGK 6-16MM	POWER-SUPPLY CABLE HOLDER	SPEISUNGSKABELHALTERUNG	SUPPORT CABLE ALIMENTATION
D140DNB2	18	023596-01	SUPP. GN2/1 ANT/POST DX/SX ZEUS 700/1400	BACK/FRONT RIGHT/LEFT UP-RIGHT SLIDE SUPPORT	HINTERE/VORDERE RECHTE/LINKE AUFRECHTE SCHIENENHALTERUNG	SUPPORT GLISSIÈRE ARRIÈRE/AVANT DROITE/GAUCHE HAUT/BAS
D140DNB2	19	OA000-ZE-024	COPPIA GUIDE PER GN 2/1	COUPLE OF SLIDES	PAAR GLEITSCHIENEN	PAIRE DE GLISSIÈRES
D140DNB2	20	012197-00	PARTICOLARE PER FISS. MONTANTE	UP-RIGHT SUPPORT HOLDER	STÄNDERHALTERUNG	DÉTAIL FIXATION MONTANT
D140DNB2	21	OA000-00-021	RIPIANO GRIGLIATO RILSAN GN2/1	RILSAN SHELF	RILSAN REGAL	CLAYETTE RILSAN
D140DNB2	22	022292-00	SCATOLA ILLUMINAZIONE ECONOMICA	ECO-LAMP COVER	LAMPEGEHAUSE	COUVERCLE LAMPE

<b>MODELLO MODEL MODELL MODELE</b>	<b>POS.</b>	<b>CODICE CODE KODE CODE</b>	<b>DESCRIZIONE</b>	<b>DESCRIPTION</b>	<b>BESCHREIBUNG</b>	<b>DESCRIPTION</b>
D140DNB2	23	023547-00	VETRO ILLUMINAZIONE ECONOMICA 110X62X6	ECO-LAMP GLASS	EKO-LAMPE GLAS	ECO-LAMPE VITRE
D140DNB2	24	022193-00	PORTALAMPADA E14	LAMP-HOLDER	LAMPEBEHAELTER	SUPPORT LAMPE
D140DNB2	25	022194-00	LAMPADA OLIVA CH E14 60W 230V	LAMP	LAMPE	LAMPE
D140DNB2 (-2°C)	26	011524-00	RESISTENZA 35W 230V CORNICI MASCHIO	DOOR FRAME HEATER	TUERRAHMENHEIZUNG	RESISTANCE PORTE
D140DNB2 (-25°C)	26A	019021-00	RESISTENZA 64,4W 230V CORNICI PORTA	DOOR FRAME HEATER	TUERRAHMENHEIZUNG	RESISTANCE PORTE

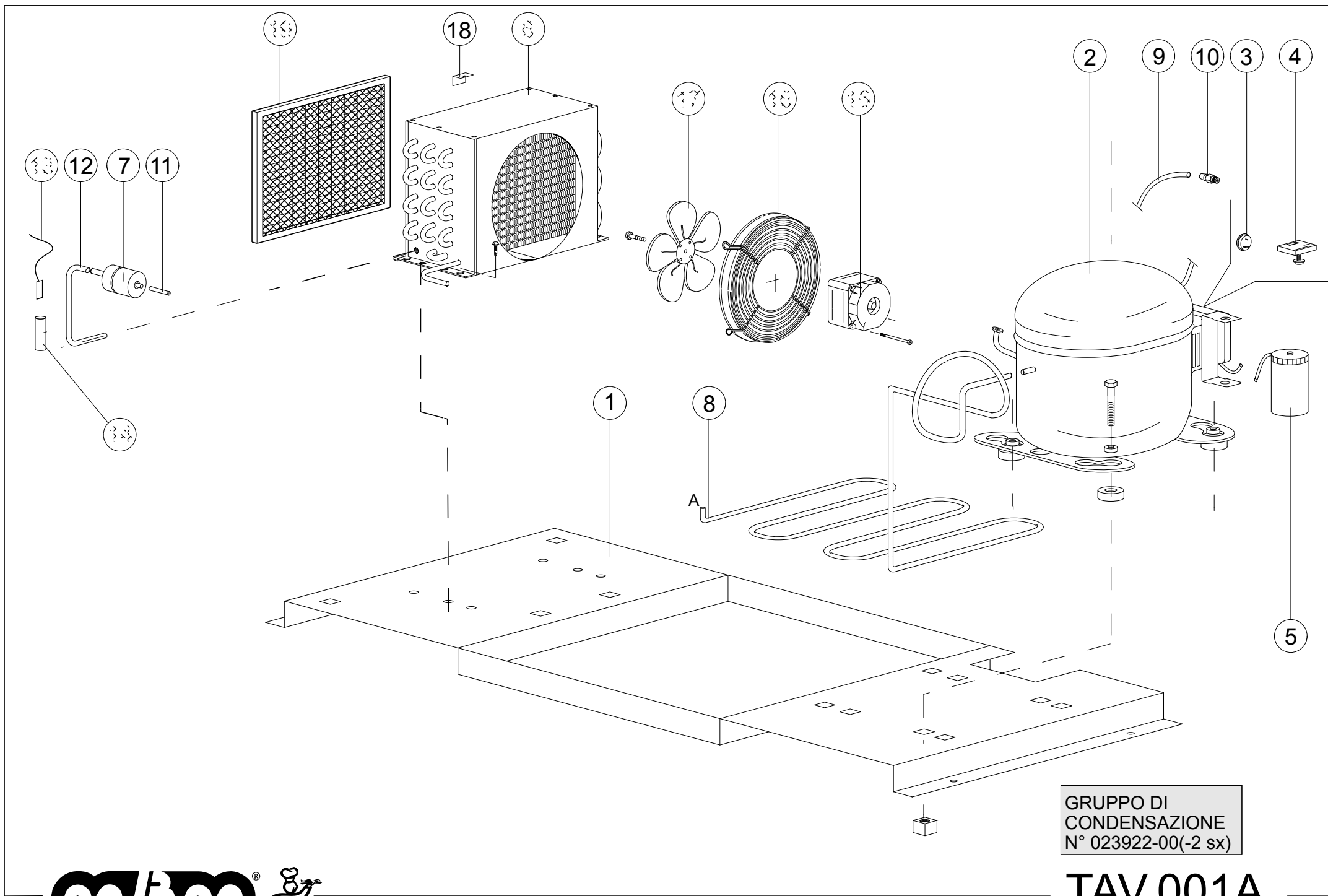


PORTE ARMADI  
 700 - 1400 Lt.  
 SERIE ZEUS

TAV.016-A



<b>MODELLO MODEL MODELL MODELE</b>	<b>POS.</b>	<b>CODICE CODE KODE CODE</b>	<b>DESCRIZIONE</b>	<b>DESCRIPTION</b>	<b>BESCHREIBUNG</b>	<b>DESCRIPTION</b>
D70x1 D140...	1	023923-00	ASS. PORTA DX ZEUS "ZE" DEXION	COMPLETE RIGHT-HAND DOOR	KOMPLETTE RECHTSÖFFNENDE TÜR	ENSEMBLE PORTE DROITE
D140...	2	023924-00	ASS. PORTA SX ZEUS "ZE" DEXION	COMPLETE LEFT-HAND DOOR	KOMPLETTE LINKSÖFFNENDE TÜR	ENSEMBLE PORTE GAUCHE
D70x1 D140...	3	011535-00	GUARN.MAGN.G.4-LM 420/960 BIA 1555X689	DOOR SEAL	TUER DICHTUNG	JOINT PORTE
D70DN2 D70DNB2	4	023587-00	ASS. PORTA RAGG. SUP.DX/INF.SX ZEUS	COMPLETE TOP-RIGHT/BOTTOM-LEFT DOOR	1/2 TUER KOMPL.OBEN RECHTS/UNTEN LINKS	PORTILLON SUP.DR./INF.GAUCHE
D70DN2 D70DNB2	5	023589-00	ASS. PORTA RAGG. SUP.SX/INF.DX ZEUS	COMPLETE TOP-LEFT/BOTTOM-RIGHT DOOR	1/2 TUER KOMPL.OBEN LINKS/UNTEN RECHTS	PORTILLON SUP.GAUCHE/INF.DR.
D70DN2 D70DNB2	6	011537-00	GUARNIZ.MAGN.G.4-LM 420/960 BIA 755X689	HALF-DOOR SEAL	1/2 TUER DICHTUNG	JOINT PORTILLON
D70x1 D140...	7	022094-03	STAFFA SUP. DX-SX FD	UPPER RIGHT/LEFT SUPPORT	OBERE RECHTE/LINKE HALTERUNG	SUPPORT SUPÉRIEUR DROITE/GAUCHE
D70x1 D140...	8	022103-02	ASS. STAFFA INF. DX-SX CERNIERA FD	LOWER RIGHT/LEFT SUPPORT	UNTERE RECHTE/LINKE HALTERUNG	SUPPORT INFÉRIEUR DROITE/GAUCHE
D70DN2 D70DNB2	9	022558-00	ASS.CERNIERA INTERM.ZEUS 700/1400 LT.	MIDDLE HINGE FOR HALF-DOOR	MITTLEREN SCHARNIER	CHARNIERE INTERM.
D70x1 D140...	10	022104-00	CERNIERA PER PORTA DX-SX FD	RIGHT-HAND DOOR HINGE	SCHARNIER RECHTSÖFFNENDE TÜR	CHARNIÈRE PORTE DROITE
D70x1 D140...	11	022105-00	TAPPO PER CERNIERA PORTA	DOOR TAP FOR SUPPORT	TÜRSCHARNIERABDECKUNG	BOUCHON POUR CHARNIÈRE PORTE
D70x1 D140...	12	011573-00	MOLLA SX PER PORTA APERTURA DX	DOOR SPRING, RIGHT	TUERFEDER, RECHTS	RESSORT DROIT
D70x1 D140...	13	011572-00	MOLLA DX PER PORTA APERTURA SX	DOOR SPRING, LEFT	TUERFEDER, LINKS	RESSORT GAUCHE
D70DN2 D70DNB2	14	011574-00	MOLLA PER 1/2 PORTA FV	UPPER SPRING FOR 1/2-DOOR	1/2 TUERFEDER	RESSORT PORTILLON
D70x1 D140...	15	011561-00	ASS. CERNIERA SUP. DX INF. SX	UPPER RIGHT/LOWER LEFT HINGE	SCHARNIER O. RECHTS/U. LINKS	CHARNIERE SUP. DR.
D70x1 D140...	16	011563-00	ASS. CERNIERA SUP. SX INF. DX	LOWER RIGHT/UPPER LEFT HINGE	SCHARNIERE O. LINKS/U. RECHTS	CHARNIERE SUP. G.
D70DN2 D70DNB2	17	011576-00	ASS. CERNIERA SABBIATA PER 1/2 PORTA	MIDDLE HINGE FOR HALF-DOOR	MITTLEREN SCHARNIER	CHARNIERE INTERM.
D70x1 D140...	18	011575-01	DISTANZIALE CERNIERA SUP. (SP.10MM)	TOP-HINGE SPACER (10MM)	ENTFERNUNGSSTUECK	ENTRETOISE PLAST.X CHARNIERE
D70x1 D140...	19	011566-01	ASS. CANOTTO PORTA-MOLLA	DOOR-SPRING HOLDER	FEDERHALTER-ROHR	PORTE-RESSORT



GRUPPO DI  
CONDENSAZIONE  
N° 023922-00(-2 sx)

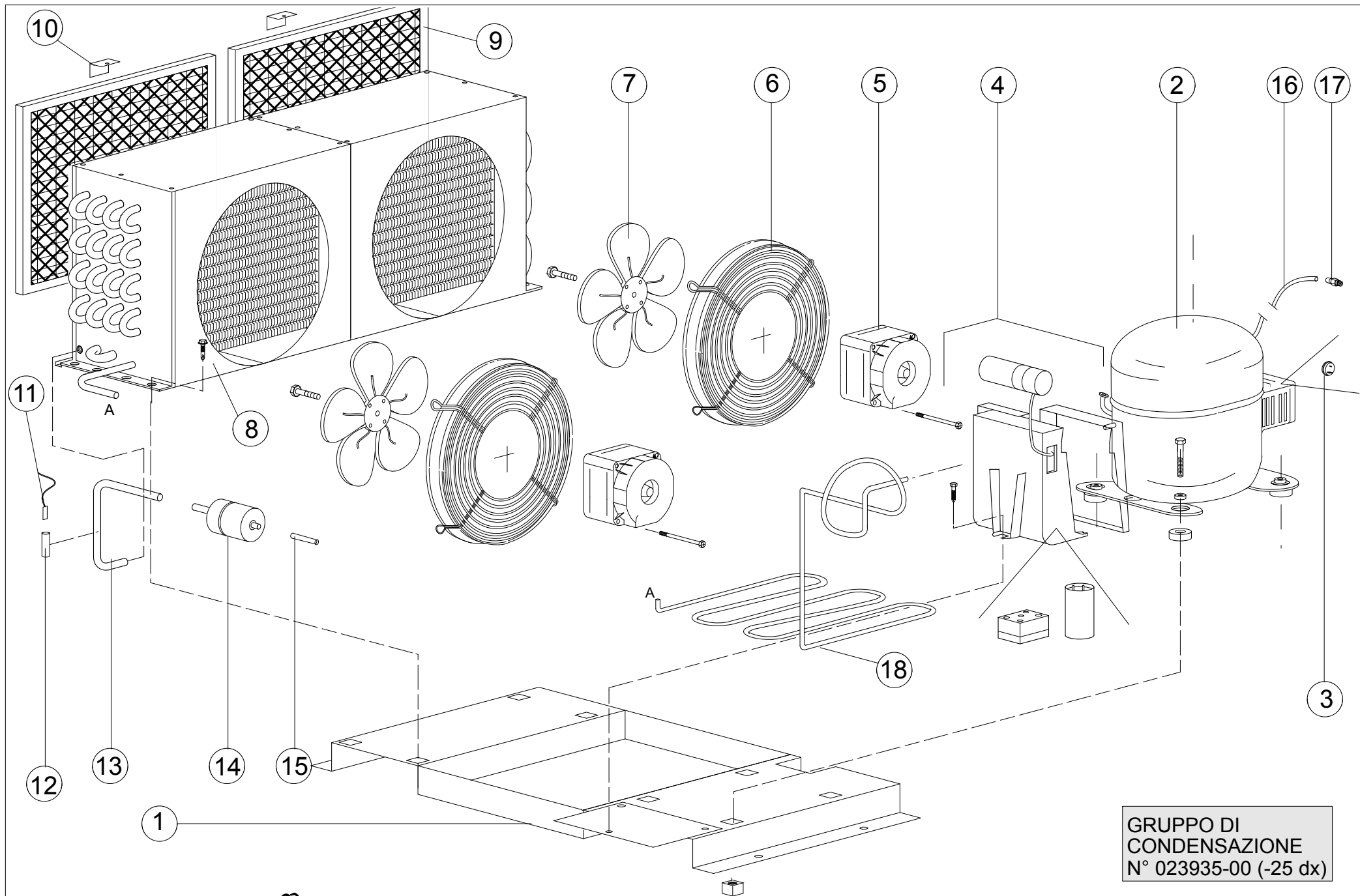


TAV.001A

<b>MODELLO MODEL MODELL MODELE</b>	<b>POS.</b>	<b>CODICE CODE KODE CODE</b>	<b>DESCRIZIONE</b>	<b>DESCRIPTION</b>	<b>BESCHREIBUNG</b>	<b>DESCRIPTION</b>
D140DN2 D140DNB2 D140DNP3 D140DNP2	1	023591-00	BASAMENTO GRUPPO ARES/ZEUS 700/1400	CONDENSING UNIT BASE	UNTERGESTELL VERFLÜSSIGEREINHEIT	BASE UNITÉ DE CONDENSATION
D140DN2 D140DNB2 D140DNP3 D140DNP3	2	022260-00	COMPRESSORE GL 90 TB 230V 50HZ	COMPRESSOR	KOMPRESSOR	COMPRESSEUR
D140DN2 D140DNB2 D140DNP3 D140DNP4	3	023789-00	SALVAMOTORE T0057-22 GL90TB	SAFETY TEMP. LIMIT SWITCH	SICHERHEITSTHERMOSTAT- KOMPRESSOR	RUPTEUR THERMIQUE DE SÉCURITÉ
D140DN2 D140DNB2 D140DNP3 D140DNP5	4	023790-00	RELE DI AVVIAMENTO MTRP-43-27 GL90TB	STARTING RELAY	KOMPRESSORANLASSEN-RELAIS	RELAIS DEMARRAGE COMPRESSEUR
D140DN2 D140DNB2 D140DNP3 D140DNP6	5	023788-00	CONDENSATORE AVV. 47-56MDF/330V GL-ML	STARTING CAPACITOR	KOMPRESSORANLASSEN- KONDENSATOR	CONDENSEUR DEMARRAGE COMPRESSEUR
D140DN2 D140DNB2 D140DNP3 D140DNP7	6	011531-00	CONDENSATORE 3R 9T X240	CONDENSER	KONDENSATOR	CONDENSATEUR
D140DN2 D140DNB2 D140DNP3 D140DNP8	7	014615-00	FILTRO DEIDRATORE DN 032 S 6MM	FILTER DRIER	TROCKNER	FILTRE SECHANT
D140DN2 D140DNB2 D140DNP3 D140DNP9	8	023767-00	SERPENTINO EVAP.COND.FV ARES	WATER-EVAPORATION COIL	KONDENSATVERDAMPFUNGSSCHLANG E	SERPENTIN ÉVAPORATION DE L'EAU
D140DN2 D140DNB2 D140DNP3 D140DNP10	9	012691-02	TUBO RICARICA PER FV-SA	RECHARGE TUBE	BEFÜLLROHRE	TUYAU DE RECHARGE
D140DN2 D140DNB2 D140DNP3 D140DNP11	10	012722-00	VALV.RIC.FIL. 1/4"FILX1/4"A SALD.	RECHARGE VALVE	SCHRADERVENTIL	SOUPAPE RECHARG.
D140DN2 D140DNB2 D140DNP3 D140DNP12	11	014665-00	TUBO USCITA FILTRO PER FV-FO	FILTER DRIER OUTLET PIPE	AUSTRITTSROHR FILTERTROCKNER	TUYAU SORTIE FILTRE DÉSHYDRATEUR

<b>MODELLO MODEL MODELL MODELE</b>	<b>POS.</b>	<b>CODICE CODE KODE CODE</b>	<b>DESCRIZIONE</b>	<b>DESCRIPTION</b>	<b>BESCHREIBUNG</b>	<b>DESCRIPTION</b>
D140DN2 D140DNB2 D140DNP3 D140DNP13	12	021378-00	TUBO USCITA CONDENS. + TRONCHETTO 3R9T	CONDENSER OUTLET PIPE	VERFLÜSSIGERAUSTRITTSROHR	TUYAU DE SORTIE CONDENSEUR
D140DN2 D140DNB2 D140DNP3 D140DNP14	13	020526-00	SONDA COND. PTC PER SSD90 ST1K20C3	CONDENSER PROBE	VERFLÜSSIGERFÜHLER	SONDE CONDENSEUR
D140DN2 D140DNB2 D140DNP3 D140DNP15	14	019316-00	TRONCHETTO PORTA BULBO PER FO SKIN	PROBE HOLDER	FÜHLERHALTERUNG	SUPPORT SONDE
D140DN2 D140DNB2 D140DNP3 D140DNP16	15	012725-00	VENTILATORE 82D 2010/V-9 230V 50HZ	FAN MOTOR	VENTILATORMOTOR	VENTILATEUR
D140DN2 D140DNB2 D140DNP3 D140DNP17	16	011589-01	SUPPORTO PROTEZ. MOTOVENTIL. CONDENS.	CONDENSER FAN PROTECTION GRID	KONDENS.TRAEGER	SUPP.PROTECT.CONDENS.
D140DN2 D140DNB2 D140DNP3 D140DNP18	17	013479-00	VENTOLA ASPIRANTE DIAM. 230-28ø	IMPELLER	LUEFTERFLUEGEL	COURONNE MOBILE
D140DN2 D140DNB2 D140DNP3 D140DNP19	18	015422-00	SQUADRETTA FERMO FILTRO	AIR-FILTER HOLDER	LUFTFILTERHALTERUNG	SUPPORT FILTRE A AIR
D140DN2 D140DNB2 D140DNP3 D140DNP20	19	013524-00	FILTRO CFL/P CON SETTO POL206 252X265X1	CONDENSER AIR-FILTER	FILTER	FILTRE



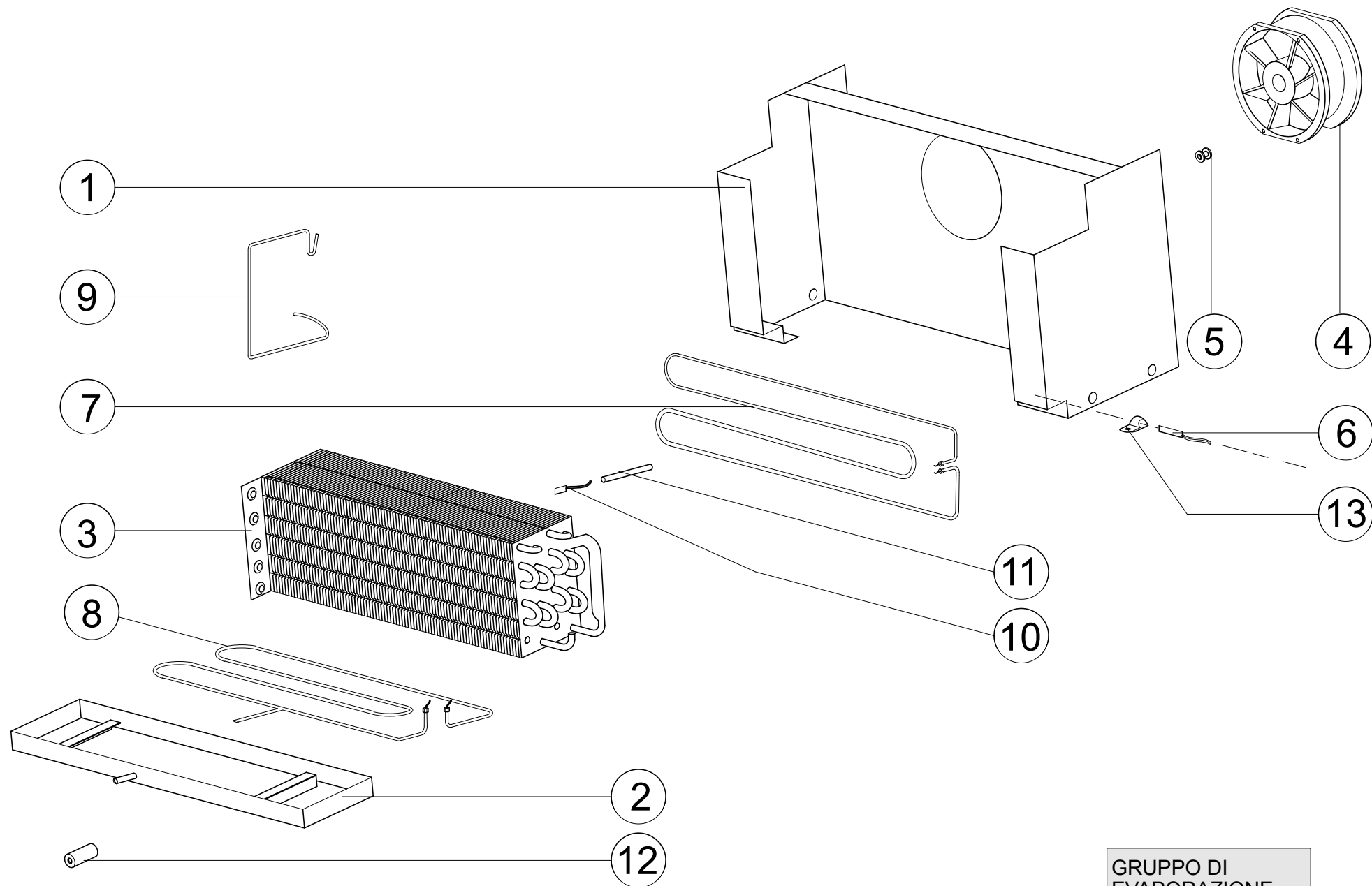


GRUPPO DI  
CONDENSAZIONE  
N° 023935-00 (-25 dx)



TAV.004

<b>MODELLO MODEL MODELL MODELE</b>	<b>POS.</b>	<b>CODICE CODE KODE CODE</b>	<b>DESCRIZIONE</b>	<b>DESCRIPTION</b>	<b>BESCHREIBUNG</b>	<b>DESCRIPTION</b>
D140B2 D140DNB2	1	023591-00	BASAMENTO GRUPPO ARES/ZEUS 700/1400	CONDENSING UNIT BASE	UNTERGESTELL VERFLÜSSIGEREINHEIT	BASE UNITÉ DE CONDENSATION
D140B2 D140DNB3	2	022269-00	COMPRESSORE MX 21 FB 230V 50HZ	COMPRESSOR	KOMPRESSOR	COMPRESSEUR
D140B2 D140DNB4	3	024374-00	SALVAMOTORE T0348-G2 MX21FB	SAFETY TEMP. LIMIT SWITCH	MOTORSCHUTZSCHALTER	RUPTEUR THERMIQUE DE SÉCURITÉ
D140B2 D140DNB5	4	024375-00	GRUPPO AVVIAMENTO MX21FB	STARTING UNIT	ANLAUFMODUL	UNITÉ DE DÉMARRAGE
D140B2 D140DNB6	5	012725-00	VENTILATORE 82D 2010/V-9 230V 50HZ	FAN MOTOR	VENTILATORMOTOR	VENTILATEUR
D140B2 D140DNB7	6	011589-01	SUPPORTO PROTEZ. MOTOVENTIL. CONDENS.	CONDENSER FAN PROTECTION GRID	KONDENS.TRAEGER	SUPP.PROTECT.CONDENS.
D140B2 D140DNB8	7	013479-00	VENTOLA ASPIRANTE DIAM. 230-28°	IMPELLER	LUEFTERFLUEGEL	COURONNE MOBILE
D140B2 D140DNB9	8	011533-00	CONDENSATORE 4R 9T 500	CONDENSER	KONDENSATOR	CONDENSATEUR
D140B2 D140DNB10	9	013524-00	FILTRO CFL/P CON SETTO POL206 252X265X12	CONDENSER AIR-FILTER	FILTER	FILTRE
D140B2 D140DNB11	10	015422-00	SQUADRETTA FERMO FILTRO	AIR-FILTER HOLDER	LUFTFILTERHALTERUNG	SUPPORT FILTRE A AIR
D140B2 D140DNB12	11	020526-00	SONDA COND. PTC PER SSD90 ST1K20C3	CONDENSER PROBE	VERFLÜSSIGERFÜHLER	SONDE CONDENSEUR
D140B2 D140DNB13	12	019316-00	TRONCHETTO PORTA BULBO PER FO SKIN	PROBE HOLDER	FÜHLERHALTERUNG	SUPPORT SONDE
D140B2 D140DNB14	13	012350-02	TUBO USCITA CONDENSATORE 3R9T	CONDENSER OUTLET PIPE	VERFLÜSSIGERAUSTRITTSROHR	TUYAU DE SORTIE CONDENSEUR
D140B2 D140DNB15	14	014615-00	FILTRO DEIDRATORE DN 032 S 6MM	FILTER DRIER	TROCKNER	FILTRE SECHANT
D140B2 D140DNB16	15	014665-00	TUBO USCITA FILTRO PER FV-FO	FILTER DRIER OUTLET PIPE	AUSTRITTSROHR FILTERTROCKNER	TUYAU SORTIE FILTRE DÉSHYDRATEUR
D140B2 D140DNB17	16	012691-02	TUBO RICARICA PER FV-SA	RECHARGE TUBE	BEFÜLLROHRE	TUYAU DE RECHARGE
D140B2 D140DNB18	17	012722-00	VALV.RIC.FIL. 1/4"FILX1/4"A SALD.	RECHARGE VALVE	SCHRADERVENTIL	SOUPAPE RECHARG.
D140B2 D140DNB19	18	023767-00	SERPENTINO EVAP.COND.FV ARES	WATER-EVAPORATION COIL	KONDENSATVERDAMPFUNGSSCHLANG E	SERPENTIN ÉVAPORATION DE L'EAU



GRUPPO DI  
EVAPORAZIONE  
N° 024031-00



TAV.011

MODELLO MODEL MODELL MODELE	POS.	CODICE CODE KODE CODE	DESCRIZIONE	DESCRIPTION	BESCHREIBUNG	DESCRIPTION
D140N2 D140P2 D140DN2 D140N2V D140B2 D140DNB2 D140DNP3 D140DNP2	1	022147-00	ASS. CONVOGLIATORE EUROPA NEW	AIR-CONVEYOR	LUFTVERTEILER	CONVOYEUR D'AIR
D140N2 D140P2 D140DN2 D140N2V D140B2 D140DNB2 D140DNP3 D140DNP3	2	022149-00	ASS. BACINELLA COND. INT. EVAP. EUROPA	INTERNAL WATER COLLECTING TRAY	INTERNE KONDENSATSAMMELWANNE	BAC INTERNE DE COLLECTE DE L'EAU
D140N2 D140P2 D140DN2 D140N2V D140B2 D140DNB2 D140DNP3 D140DNP4	3	023947-00	EVAPORATORE 6T-4R 350 PA 4,3 3/8 ARES/ZEUS	EVAPORATOR	VERDAMPFER	ÉVAPORATEUR
D140N2 D140P2 D140DN2 D140N2V D140B2 D140DNB2 D140DNP3 D140DNP5	4	022182-00	VENTILATORE FULLTECH EVAP.EUROPA	EVAPORATOR FAN	VERDAMPFERVENTILATOR	VENTILATEUR DE L'ÉVAPORATEUR
D140N2 D140P2 D140DN2 D140N2V D140B2 D140DNB2 D140DNP3 D140DNP6	5	020743-00	PASSACAVO NERO øINT.7X14 SP.8 0886- CA01	FAIRLEAD	KABELFÜHRUNG	GUIDE-CÂBLE

<b>MODELLO MODEL MODELL MODELE</b>	<b>POS.</b>	<b>CODICE CODE KODE CODE</b>	<b>DESCRIZIONE</b>	<b>DESCRIPTION</b>	<b>BESCHREIBUNG</b>	<b>DESCRIPTION</b>
D140N2 D140P2 D140DN2 D140N2V D140B2 D140DNB2 D140DNP3 D140DNP7	6	020524-00	SONDA CELLA PTC PER SSD90 ST1K20C1	CABINET PROBE	GEHÄUSEFÜHLER	SONDE CHAMBRE
D140N2 D140P2 D140DN2 D140N2V D140B2 D140DNB2 D140DNP3 D140DNP8	7	014474-02	RESIST.COR. 250W 230V SBRIN. EVAP.	EVAPORATOR SIDE-DEFROSTING HEATER	TAUWASSERVERDUNSTUNGHEIZUNG	RESISTANCE DEGIVR.EVAPORAT.
D140N2 D140P2 D140DN2 D140N2V D140B2 D140DNB2 D140DNP3 D140DNP9	8	022258-01	RESIST. CORAZZATA 550W 230V SBRIN. EVAP.	EVAPORATOR BOTTOM-DEFROSTING HEATER	TAUWASSERVERDUNSTUNGHEIZUNG	RESISTANCE DEGIVR.EVAPORAT.
D140N2 D140P2 D140DN2 D140N2V D140B2 D140DNB2 D140DNP3 D140DNP10	9	023415-00	MOLLA RESIST.EVAP.EUROPA NEW	EVAPORATOR HEATING ELEMENT HOLDER	HALTERUNG VERDAMPFER- HEIZELEMENT	SUPPORT ÉLÉMENT CHAUFFANT ÉVAPORATEUR
D140N2 D140P2 D140DN2 D140N2V D140B2 D140DNB2 D140DNP3 D140DNP11	10	020525-00	SONDA EVAP.PTC PER SSD90 ST1K20C2	EVAPORATOR PROBE	VERDAMPFERFÜHLER	SONDE ÉVAPORATEUR

<b>MODELLO MODEL MODELL MODELE</b>	<b>POS.</b>	<b>CODICE CODE KODE CODE</b>	<i>DESCRIZIONE</i>	<i>DESCRIPTION</i>	<i>BESCHREIBUNG</i>	<i>DESCRIPTION</i>
D140N2 D140P2 D140DN2 D140N2V D140B2 D140DNB2 D140DNP3 D140DNP12	11	023383-00	TUBETTO VIPLA NERO DIAM.6	POLYVINYL PIPE, BLACK	POLYVINYLROHR, SCHWARZ	TUYAU EN POLYVINYLE, NOIR
D140N2 D140P2 D140DN2 D140N2V D140B2 D140DNB2 D140DNP3 D140DNP13	12	019599-00	TUBO ISOLAMENTO ST CL1 SP.9 DM.15	PIPE INSULATING COVER	ISOLIERMANTEL F. ROHR	PANNEAU ISOLANT TUYAU
D140N2 D140P2 D140DN2 D140N2V D140B2 D140DNB2 D140DNP3 D140DNP14	13	015211-00	COLLARE POLIAMMIDE D.6,5 255-6,5	PROBE RING-HOLDER	FÜHLERKRAGEN	ANNEAU DE SONDE-SUPPORT