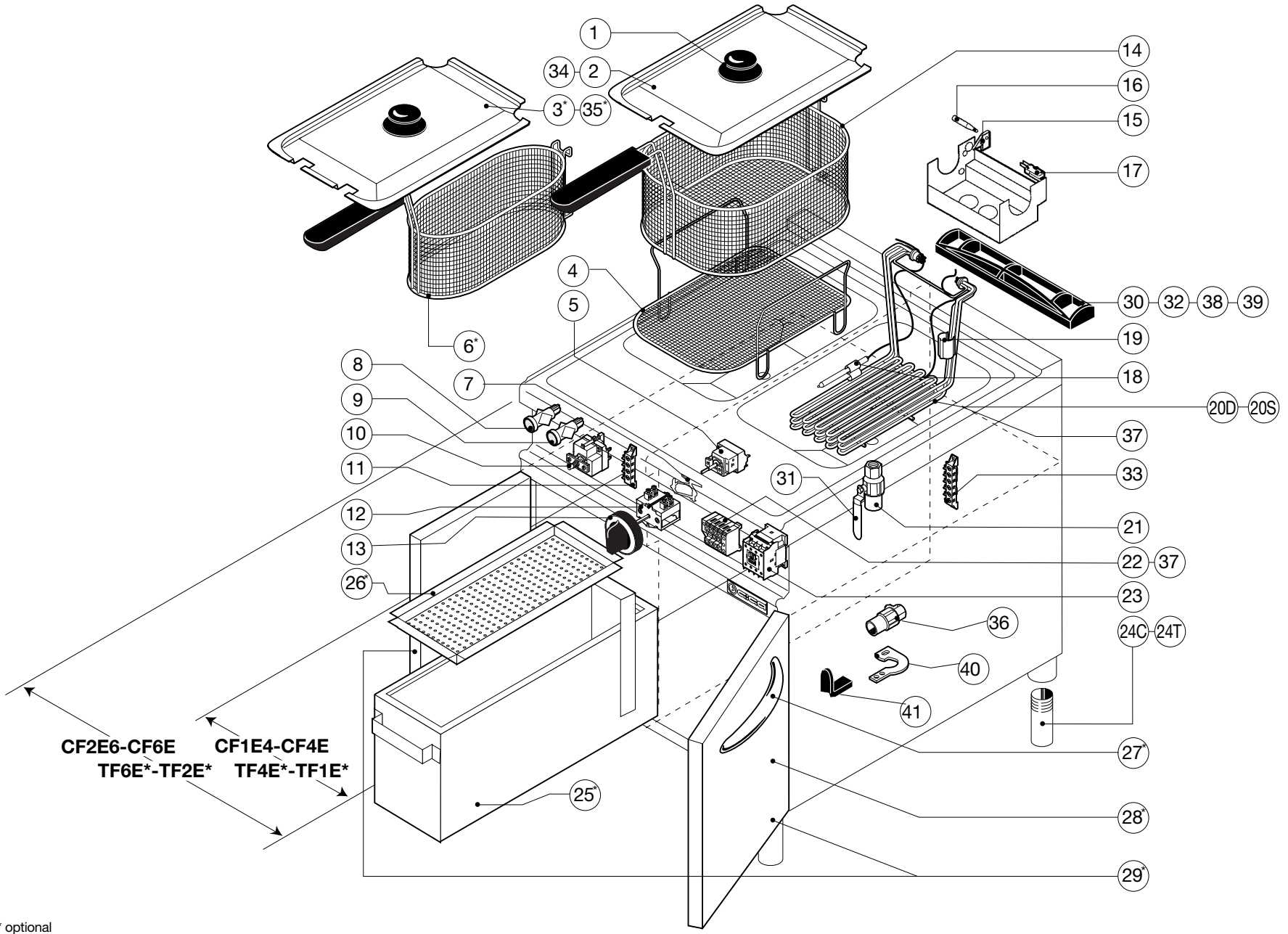


Pezzi/Pieces Pieces/Anzahl		Pos.	Validità dalla matricola Validité du numéro matricule Validity from serial number Gültigkeit ab der (Seriennummer)	Validità alla matricola Validity up to serial number Validité au numéro matricule Gültigkeit bis zur (Seriennummer)	Codice Code Artikel Nummer	Descrizione	Description	Description	Beschreibung
CF4E TF4E*	CF6E TF6E*								
1	2	1			0000M22100	Maniglia	Handle	Poignee	Griff
1	2	2			J21200	Copricestello	Basket lid	Couvre-panier	Korbabdeckung
1	2	3			J21300	Copricestello 2 tracce	Double basket lid	Couvre-panier à 2 découpes	Korbabd. Aussparungen
1	2	4			Y47800	Retina filtro	Filter mesh	Grille filtre	Filternetz
1	2	5			X43800	Termostato	Oven thermostat	Thermostat	Thermostat
2	4	6			Y47900	Mezzocesto	Half basket	Demi-panier	Halbkorb
1	2	7			X44600	Staffa per collegamento	Connecting bracket	Collier de raccordement	Anschlussbügel
1	2	8			X41200	Lampada gialla	Yellow light	Lampe jaune	Gelbe Kontrollampe
1	2	9			X50900	Lampada verde	Green light	Lampe vert	Grüne Kontrollampe
1	2	10			X49500	Termostato di sicurezza	Safety thermostat	Thermocouple de securite	Sicherheitsthermostat
1	2	11			X59100	Morsettiera	Terminal board	Barrette de raccordement	Klemmleiste
1	2	12			Y16200	Commutatore	Selector switch	Commutateur	Schalter
1	2	13			0000Y65002	Manopola	Knob	Cle de commande	Drehknopf
1	2	14			Y48000	Cestello	Basket	Panier	Korb
1	2	15			X52800	Microinterruttore	Microswitch	Micro-interrupteur	Mikroschalter
8	16	16			M86800	Molletta	Spring	Ressort	Feder
4	8	17			M86500	Molletta	Spring	Ressort	Feder
3	6	18			Y19600	Resistenza	Resistance	Resistance	Resistenz
1	2	19			0000X15200	Rubinetto scarico	Outlet tap	Robinet vidange	Ablaufhahn
1	1	20			X59000	Morsettiera arrivo linea	Line-in term. board	Plaque à bornes réseau	Stromanschl. Klemme
1	2	21			Y10000	Contattore lavoro	Work contactor	Contacteur de fonct.	Betriebsschutz
4	4	22C			X61000	Piedino	Foot	Pied	Fuss*
4	4*	22T			M06400	Piedino	Foot	Pied	Fuss
1	2	23			B10700	Tubo di scarico	Drainage pipe	Tube d'evacuation	Auslaßrohr
1	2	24			T30200	Leva di scarico	Drainage lever	Levier de dechargement	Auslaßhebel
1	2	25			M22200	Pomello per levetta	Knob for handle	Pommette pour poignée	Backenknochen für Griff
1		26			1550Y63500	Griglia scarico fumi	Smoke discharge grid	Grille évacuation des fumées	Rauchblassgitter
	1	27			1550Y63600	Griglia scarico fumi	Smoke discharge grid	Grille évacuation des fumées	Rauchblassgitter



CF2E6-CF6E    CF1E4-CF4E  
 TF6E\*-TF2E\*    TF4E\*-TF1E\*

\* optional



**3E05-045**

CF1E4 - CF4E  
 CF2E6 - CF6E  
 TF1E\* - TF2E\*  
 TF4E\* - TF6E\*

Pezzi/Pieces Pieces/Anzahl				Pos.	Validit' dalla matricola Validit' du num ro matricule Validity from serial number Gyftigkeit ab der (Seriennummer)	Validit' alla matricola Validity up to serial number Validit' au num ro matricule Gyftigkeit bis zur (Seriennummer)	Codice Code Artikel Nummer	Descrizione	Description	Description	Beschreibung
CF4E TF4E*	CF1E4 TF1E*	CF6E TF6E*	CF2E4 TF2E*								
1	1	2	2	1			M22100	Maniglia	Handle	Poign e	Griff
	1		2	2			B65200	Copricestello	Basket lid	Couvre-panier	Korbabdeckung
	1		2	3*			B65300	Copricestello 2 tracce	Double basket lid	Couvre-panier ^ 2 d coupes	Korbabd. Aussparungen
1	1	2	2	4			Y47800	Retina filtro	Filter mesh	Grille filtre	Filternetz
1	1	2	2	5			X43800	Termostato	Oven thermostat	Thermostat	Thermostat
1	2	2	4	6*			Y47900	Mezzocesto	Half basket	Demi-panier	Halbkorb
1	1	2	2	7			X44600	Staffa per collegamento	Connecting bracket	Collier de raccordement	Anschlussbügel
1	1	2	2	8			X41200	Lampada gialla	Yellow light	Lampe jaune	Gelbe Kontrollampe
1	1	2	2	9			X50900	Lampada verde	Green light	Lampe vert	Grüne Kontrollampe
1	1	2	2	10			X49500	Termostato di sicurezza	Safety thermostat	Thermocouple de securite	Sicherheitsthermostat
	1		2	11			X59100	Morsettiere	Terminal board	Barrette de raccordement	Klemmleiste
1	1	2	2	12			Y16200	Commutatore	Selector switch	Commutateur	Schalter
1	1	2	2	13			0000Y65002	Manopola	Knob	Cle de commande	Drehknopf
1	1	2	2	14			Y48000	Cestello ovale	Basket oval	Ovale de panier	Korboval
	1		2	15			B32800	Fermo ribaltamento	Overturn stop	Arr t basculement	Umkippen Haltevorrichtung
	1		2	16			Y41100	Perno sbloccaggio	Release pivot	Pivot d gagement	Entblockungbolzen
1	1	2	2	17			X52800	Microinterruttore	Microswitch	Micro-interrupteur	Mikroschalter
4	4	8	8	18			M86500	Molletta	Spring	Ressort	Feder
8	8	16	16	19			M86800	Molletta	Spring	Ressort	Feder
	1		1	20D			X57000	Resistenza destra	Resistance dx	Resistance dx	Resistance dx
			1	20S			X57100	Resistenza sinistra	Resistance sx	Resistance sx	Resistance sx
1	1	2	2	21			0000X15300	Rubinetto scarico	Outlet tap	Robinet vidange	Ablaufhahn
	1		1	22			0000X53900	Morsettiere arrivo linea	Line-in term. board	Plaque ^ bornes r seau	Stromanschl. Klemme
1	1	2	2	23			Y10000	Contatore lavoro	Work contactor	Contacteur de fonct.	Betriebsschütz
4	4	4	4	24C			X61000	Piedino	Foot	Pied	Fuss
4*	4*	4*	4*	24T			M06400	Piedino	Foot	Pied	Fuss
1	1	2	2	25*			B27600	Bacinella raccogliolio	Oil collecting tray	Bac r cup. huile	Fettauffangbehälter
1	1	2	2	26*			B27700	Filtro olio	Oil filter	Filtre ^ huile	Fettauffangfilter
1/0	1/0	2/0	2/0	27*			Y65500	Maniglia porta	Door handle	Pogn e four	Turgriff
1/0	1/0			28*			KS41	Porta completa 40	Tube-socket/pressure gauge	Support	Tragstück ventil/Druchanzeiger
		1/0	1/0	29*			KS62	Porte complete 60 (2X30 cm)	Tap boss 60 (2X30 cm)	Rondelle pour robinet 60 (2X30 cm)	Stützring für Auslaßhann 60 (2X30 cm)
1	1			30			1550Y63500	Griglia scarico fumi	Smoke discharge grid	Grille vacuation des fum es	Rauchblassgitter
1	1	2	2	31			T30200	Leva di scarico	Drainage lever	Levier de dechargement	Auslaßhebel
		1	1	32			1550Y63600	Griglia scarico fumi	Smoke discharge grid	Grille vacuation des fum es	Rauchblassgitter
1	1			33			X59000	Morsettiere	Terminal board	Barrette de raccordement	Klemmleiste
1		2		34			J21200	Copricestello	Basket lid	Couvre-panier	Korbabdeckung
1		2		35*			J21300	Copricestello 2 tracce	Double basket lid	Couvre-panier ^ 2 d coupes	Korbabd. Aussparungen
0/1	0/1	0/2	0/2	36			0000X15200	Rubinetto scarico	Outlet tap	Robinet vidange	Ablaufhahn
3		6		37			Y19600	Resistenza	Resistance	Resistance	Resistenz
1*				38			1550Y62700	Griglia scarico fumi	Smoke discharge grid	Grille vacuation des fum es	Rauchblassgitter
		1*		39			1550Y62600	Griglia scarico fumi	Smoke discharge grid	Grille vacuation des fum es	Rauchblassgitter
0/1	0/1	0/2	0/2	40			T30200	Leva di scarico	Drainage lever	Levier de dechargement	Auslaßhebel
0/1	0/1	0/2	0/2	41			M22200	Maniglia a pomello	Handle	Poignée	Knopf

\*Optional

3E05-045