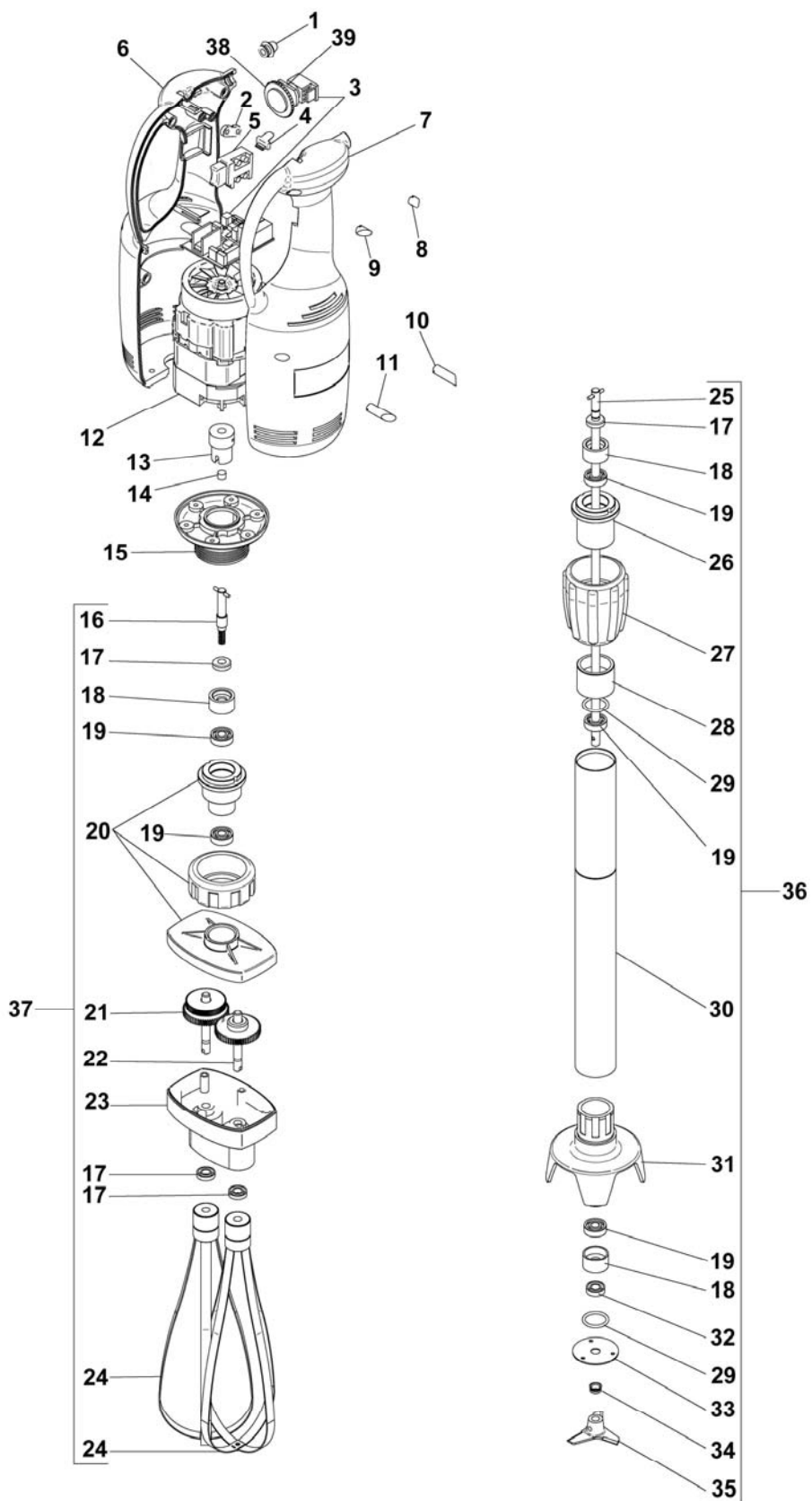


| Rif No | Codice Code |   | Caratteristiche Characteristics | Descrizione Description         |
|--------|-------------|---|---------------------------------|---------------------------------|
| 1      | SL0762      |   |                                 | Passacavo Cable clamp           |
| 2      | SL3382      |   | Green                           | Piastra Plate                   |
| 3      | SL0757      | ● |                                 | Pulsante Push button            |
| 4      | SL3384      |   | Green                           | Copertura Covering              |
| 5      | SL3385      |   | Green                           | Copertura Covering              |
| 6      | SL3392      |   | Green                           | Tappo Cap                       |
| 7      | SL3397      |   | Green                           | Tappo Cap                       |
| 8      | SL3395      |   | Green                           | Tappo Cap                       |
| 9      | SL3383      | ● | 230V/1Ph/50-60Hz                | Motore Motor                    |
| 10     | SA1063      | ● |                                 | Giunto Joint                    |
| 11     | SL3611      |   |                                 | Inserto Insert                  |
| 12     | SL3386      |   | Green                           | Flangia Flange                  |
| 13     | SL3350      |   |                                 | Albero Shaft                    |
| 14     | SL0746      |   | 8x18x5                          | Paraolio Oil seal               |
| 15     | SL0740      |   |                                 | Boccola Bush                    |
| 16     | SL0271      | ● | 608H ZZ inox                    | Cuscinetto Bearing              |
| 17     | SL3348      |   |                                 | Supporto Support                |
| 18     | SL3387      |   |                                 | Ghiera Locking ring             |
| 19     | SL3347      |   |                                 | Tube Tube                       |
| 20     | SL3349      |   |                                 | Protezione Protection           |
| 21     | SL1454      |   | 8x18x6                          | Paraolio Oil seal               |
| 22     | SL0773      |   | OR 128                          | O-ring O-ring                   |
| 23     | SL0777      |   |                                 | Disco Disk                      |
| 24     | SL0772      |   | V-8-S                           | V-ring V-ring                   |
| 25     | SL0744      | ● |                                 | Coltello Cutter                 |
| 26     | ME2530      |   | Assembly                        | Utensile mescolatore Mixer tool |

(\*): fuori produzione / out of production

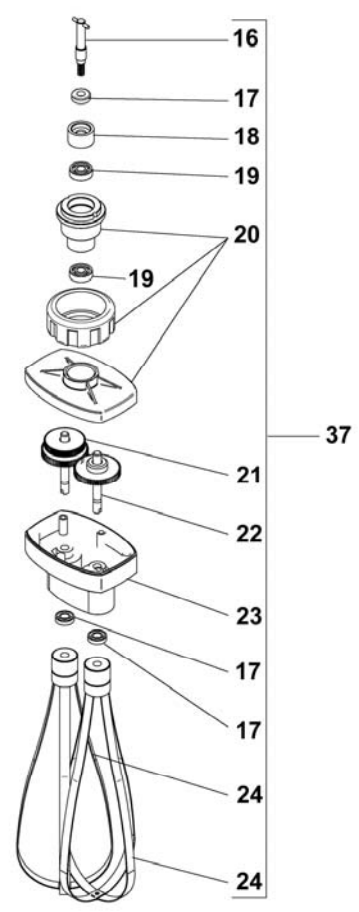
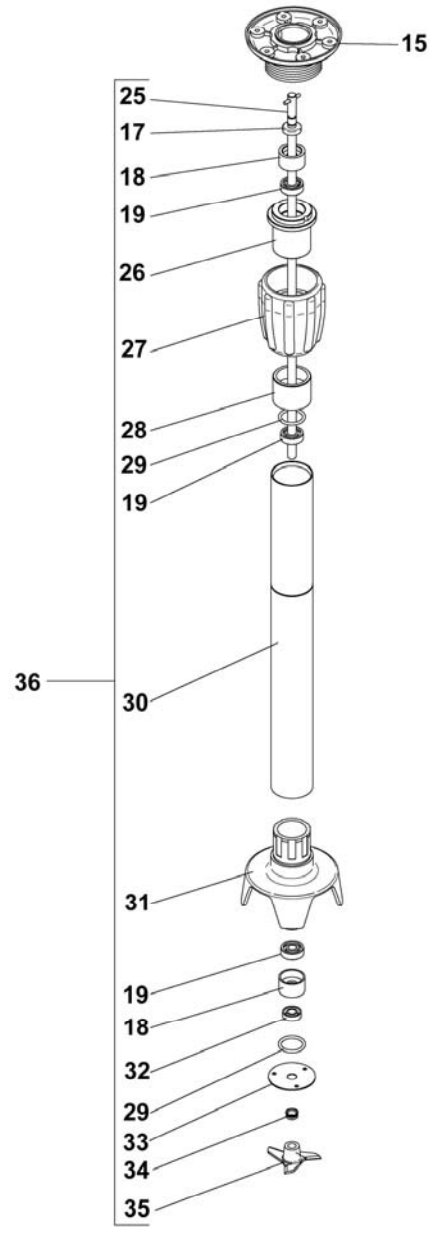
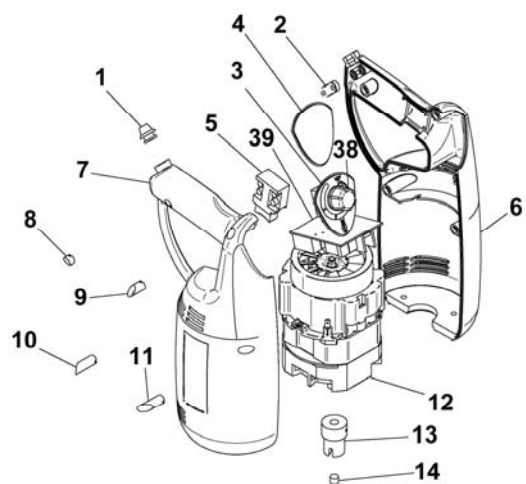
● : ricambio consigliato / spare part suggested



| Rif No | Codice Code |   | Caratteristiche Characteristics |                      | Descrizione Description |
|--------|-------------|---|---------------------------------|----------------------|-------------------------|
| 1      | SL0762      |   |                                 | Passacavo            | Cable clamp             |
| 2      | SL3382      |   | Green                           | Piastra              | Plate                   |
| 3      | SL2997      | ● | 230V/1Ph/50-60Hz (MX40)         | Scheda elettronica   | Electronic card         |
| 4      | SL3414      |   | (MX42S)                         | Inserto              | Insert                  |
| 5      | SL0757      | ● |                                 | Pulsante             | Push button             |
| 6      | SL3080      |   | Green                           | Copertura            | Covering                |
| 7      | SL3081      |   | Green                           | Copertura            | Covering                |
| 8      | SL3444      |   | Green                           | Tappo                | Cap                     |
| 9      | SL3443      |   | Green                           | Tappo                | Cap                     |
| 10     | SL3446      |   | Green                           | Tappo                | Cap                     |
| 11     | SL3445      |   | Green                           | Tappo                | Cap                     |
| 12     | SL2899      | ● | 230V/1Ph/50-60Hz                | Motore               | Motor                   |
| 13     | SA1063      | ● |                                 | Giunto               | Joint                   |
| 14     | SL3611      |   |                                 | Inserto              | Insert                  |
| 15     | SL3612      |   | Green                           | Flangia              | Flange                  |
| 16     | SL0739      | ● | (MX40)                          | Ingranaggio          | Gear                    |
| 17     | SL0746      |   | 8x18x5                          | Paraolio             | Oil seal                |
| 18     | SL0740      |   |                                 | Boccola              | Bush                    |
| 19     | SL0271      | ● | 608H ZZ inox                    | Cuscinetto           | Bearing                 |
| 20     | SA1002      |   | Assembly (MX40)                 | Supporto             | Support                 |
| 21     | SA8900      | ● | (MX40)                          | Ingranaggio          | Gear                    |
| 22     | SA8800      | ● | (MX40)                          | Ingranaggio          | Gear                    |
| 23     | SL0733      |   | (MX40)                          | Scatola              | Box                     |
| 24     | SL0743      | ● | (MX40)                          | Frusta               | Whisk                   |
| 25     | SL0976      |   | L=300mm                         | Albero               | Shaft                   |
| 25     | SL0776      |   | L=400mm (standard)              | Albero               | Shaft                   |
| 25     | SL0978      |   | L=500mm                         | Albero               | Shaft                   |
| 25     | SL0979      |   | L=600mm                         | Albero               | Shaft                   |
| 26     | SL0741      |   |                                 | Supporto             | Support                 |
| 27     | SL3391      |   |                                 | Ghiera               | Locking ring            |
| 28     | SL0879      |   |                                 | Boccola              | Bush                    |
| 29     | SL0773      |   | OR 128                          | O-ring               | O-ring                  |
| 30     | SL0972      |   | L=300mm                         | Tubo                 | Tube                    |
| 30     | SL0747      |   | L=400mm (standard)              | Tubo                 | Tube                    |
| 30     | SL0974      |   | L=500mm                         | Tubo                 | Tube                    |
| 30     | SL0975      |   | L=600mm                         | Tubo                 | Tube                    |
| 31     | SL3415      |   |                                 | Protezione           | Protection              |
| 32     | SL1454      |   | 8x18x6                          | Paraolio             | Oil seal                |
| 33     | SL0777      |   |                                 | Disco                | Disk                    |
| 34     | SL0772      |   | V-8-S                           | V-ring               | V-ring                  |
| 35     | SL0744      | ● |                                 | Coltello             | Cutter                  |
| 36     | ME4030      |   | L=300mm assembly                | Utensile mescolatore | Mixer tool              |
| 36     | ME4040      |   | L=400mm assembly (standard)     | Utensile mescolatore | Mixer tool              |
| 36     | ME4050      |   | L=500mm assembly                | Utensile mescolatore | Mixer tool              |
| 36     | ME4060      |   | L=600mm assembly                | Utensile mescolatore | Mixer tool              |
| 37     | FRUSTAFM3   |   | Assembly (MX40)                 | Utensile frusta      | Whisk tool              |
| 38     | SL3413      |   | (MX40)                          | Rotella              | Wheel                   |
| 39     | SL3085      |   | (MX40)                          | Anello               | Ring                    |

(\*): fuori produzione / out of production

● : ricambio consigliato / spare part suggested



| Rif No | Codice Code |   | Caratteristiche Characteristics | Descrizione Description            |
|--------|-------------|---|---------------------------------|------------------------------------|
| 1      | SL0762      |   |                                 | Passacavo Cable clamp              |
| 2      | SL3382      |   | Green                           | Piastra Plate                      |
| 3      | SL3375      |   | (FX40)                          | Inserto Insert                     |
| 4      | SL3442      |   | Green (FX42S)                   | Inserto Insert                     |
| 5      | SL0757      | ● |                                 | Pulsante Push button               |
| 6      | SL3374      |   | Green                           | Copertura Covering                 |
| 7      | SL3373      |   | Green                           | Copertura Covering                 |
| 8      | SL3381      |   | Green                           | Tappo Cap                          |
| 9      | SL3380      |   | Green                           | Tappo Cap                          |
| 10     | SL3378      |   | Green                           | Tappo Cap                          |
| 11     | SL3379      |   | Green                           | Tappo Cap                          |
| 12     | SL2899      | ● | 230V/1Ph/50-60Hz                | Motore Motor                       |
| 13     | SA1063      | ● |                                 | Giunto Joint                       |
| 14     | SL3611      |   |                                 | Inserto Insert                     |
| 15     | SL3612      |   | Green                           | Flangia Flange                     |
| 16     | SL0739      | ● | (FX40)                          | Ingranaggio Gear                   |
| 17     | SL0746      |   | 8x18x5                          | Paraolio Oil seal                  |
| 18     | SL0740      |   |                                 | Boccola Bush                       |
| 19     | SL0271      | ● | 608H ZZ inox                    | Cuscinetto Bearing                 |
| 20     | SA1002      |   | Assembly (FX40)                 | Supporto Support                   |
| 21     | SA8900      | ● | (FX40)                          | Ingranaggio Gear                   |
| 22     | SA8800      | ● | (FX40)                          | Ingranaggio Gear                   |
| 23     | SL0733      |   | (FX40)                          | Scatola Box                        |
| 24     | SL0743      | ● | (FX40)                          | Frusta Whisk                       |
| 25     | SL0976      |   | L=300mm                         | Albero Shaft                       |
| 25     | SL0776      |   | L=400mm (standard)              | Albero Shaft                       |
| 25     | SL0978      |   | L=500mm                         | Albero Shaft                       |
| 25     | SL0979      |   | L=600mm                         | Albero Shaft                       |
| 26     | SL0741      |   |                                 | Supporto Support                   |
| 27     | SL3391      |   |                                 | Ghiera Locking ring                |
| 28     | SL0879      |   |                                 | Boccola Bush                       |
| 29     | SL0773      |   | OR 128                          | O-ring O-ring                      |
| 30     | SL0972      |   | L=300mm                         | Tubo Tube                          |
| 30     | SL0747      |   | L=400mm (standard)              | Tubo Tube                          |
| 30     | SL0974      |   | L=500mm                         | Tubo Tube                          |
| 30     | SL0975      |   | L=600mm                         | Tubo Tube                          |
| 31     | SL3415      |   |                                 | Protezione Protection              |
| 32     | SL1454      |   | 8x18x6                          | Paraolio Oil seal                  |
| 33     | SL0777      |   |                                 | Disco Disk                         |
| 34     | SL0772      |   | V-8-S                           | V-ring V-ring                      |
| 35     | SL0744      | ● |                                 | Coltello Cutter                    |
| 36     | ME4030      |   | L=300mm assembly                | Utensile mescolatore Mixer tool    |
| 36     | ME4040      |   | L=400mm assembly (standard)     | Utensile mescolatore Mixer tool    |
| 36     | ME4050      |   | L=500mm assembly                | Utensile mescolatore Mixer tool    |
| 36     | ME4060      |   | L=600mm assembly                | Utensile mescolatore Mixer tool    |
| 37     | FRUSTAFM3   |   | Assembly (FX40)                 | Utensile frusta Whisk tool         |
| 38     | SL3376      |   | (FX40)                          | Pomello Knob                       |
| 39     | SL2997      | ● | 230V/1Ph/50-60Hz (FX40)         | Scheda elettronica Electronic card |

(\*): fuori produzione / out of production

● : ricambio consigliato / spare part suggested