

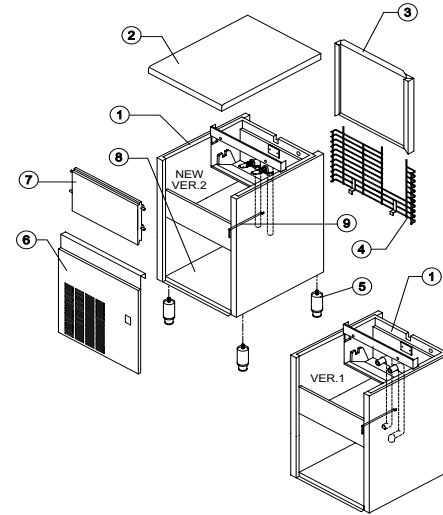


# CB 1565

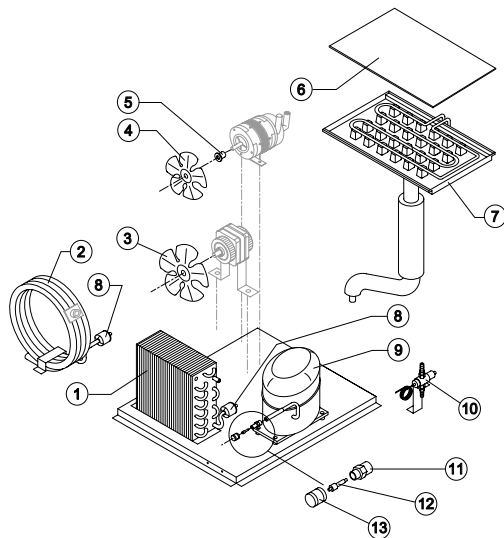
# LIST OF THE EXPLODED VIEWS



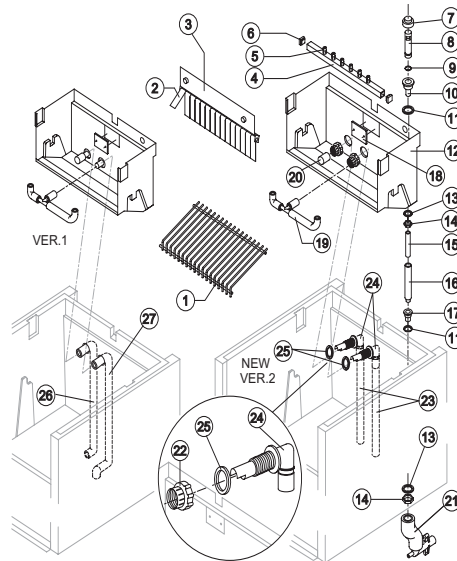
## SHELL ASSY



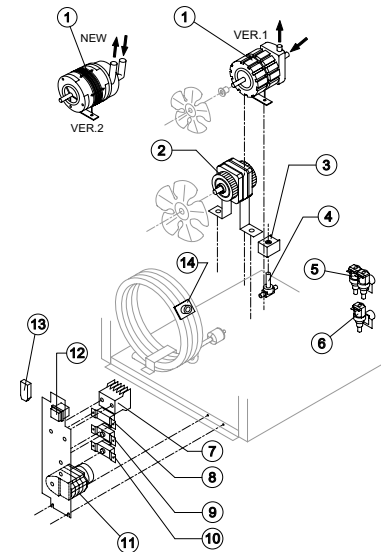
## COOLING SYSTEM



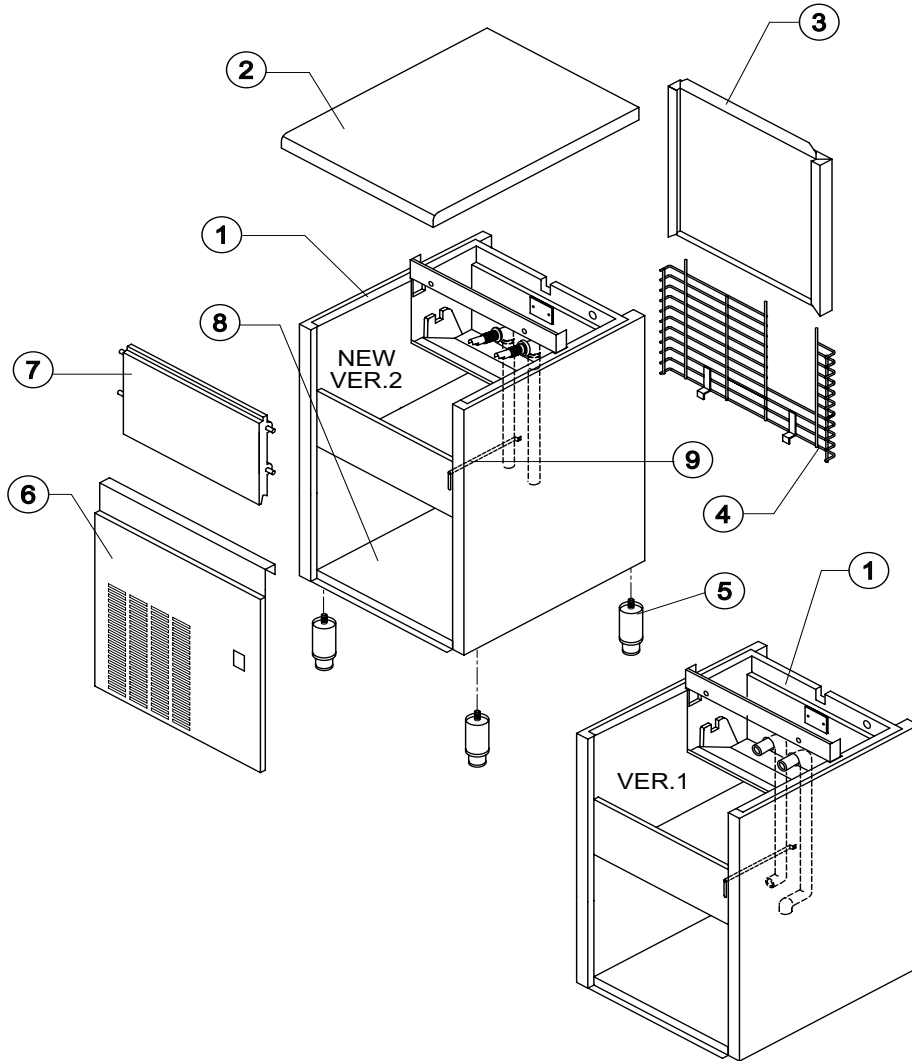
## HYDRAULIC CIRCUIT



## ELECTRIC PARTS



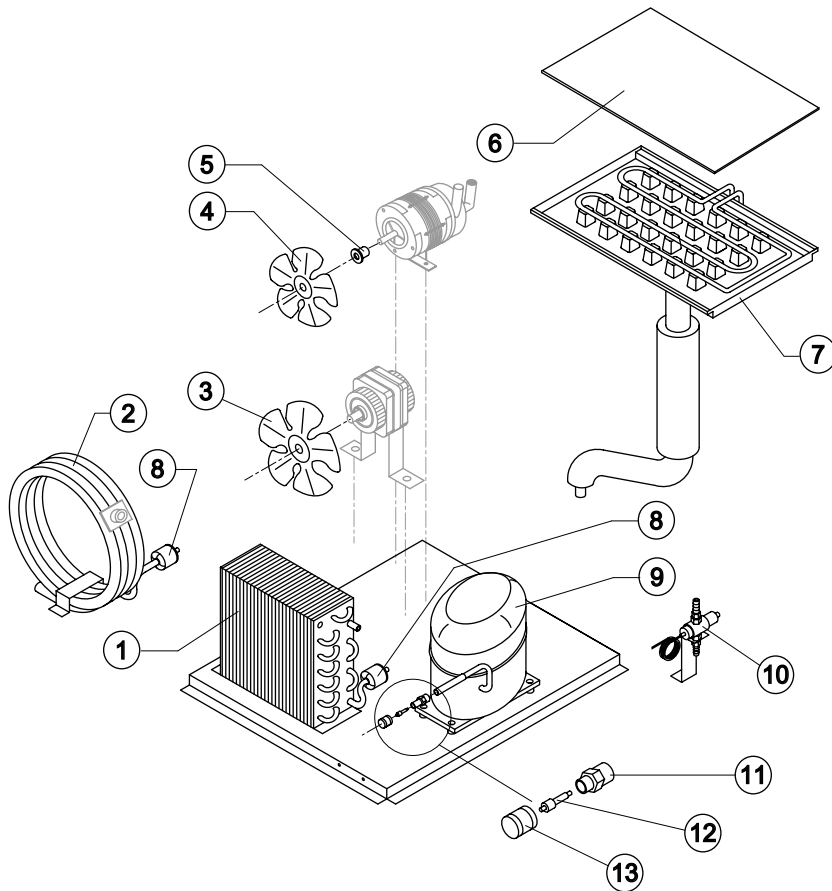
Rev. 2 - 10/2/2003



Ref.	Spare Description	Code
1	Foamed Cabinet Assy	See Table
2	Top Assembly	C22688
3	Back Panel Assembly	C21209
4	Back Grid	D12021
5	Stainless Steel Foot Adjustable	Current Version
5	ABS Foot	Till s/n. 142534
6	Front Grid Panel	22548
7	Door Assy	C10275
8	Base Plate	Current Version
8	Base Plate	Till s/n. 142534
9	Bulbe Thermostat Tube	Current Version
9	Bulbe Thermostat Tube	Till s/n. 94926

### Ref. 1 - Foamed Cabinet Assy

Code	Condensation	Note
C11086/A	Air	Version 2
C11086/W	Water	Version 2
C11086/E		Version 1



### Common Parts

Ref.	Spare Description	Code
4	Suction Impeller	10213
5	Hub with Washer with Screw	10014
6	Evaporator Cover	10058
7	Evaporator	See Table
8	Solid Core Drier	14084
9	Compressor	See Table
11	Vacuum-Charge Valve Body	14007
12	Vacuum-Charge Valve Device	14005
13	Vacuum-Charge Valve Plug	14006

### Parts for Air-Cooled Version Only

Ref.	Spare Description	Code	
1	Air Condenser	Current Version	20426
1	Air Condenser	Till s/n. 42925	20148
3	Suction Impeller	Current Version	20407
3	Suction Impeller	Till s/n. 42925	20153

### Parts for Water-Cooled Version Only

Ref.	Spare Description	Code
2	Water Condenser	14081
3	Suction Impeller	10213
10	Pressure Valve	20210

### Ref. 8 - Evaporator

Kind of Cube	Code
18 g. (Standard)	D10214
33 g. (Big)	D10092
13 g. (Small)	D10126

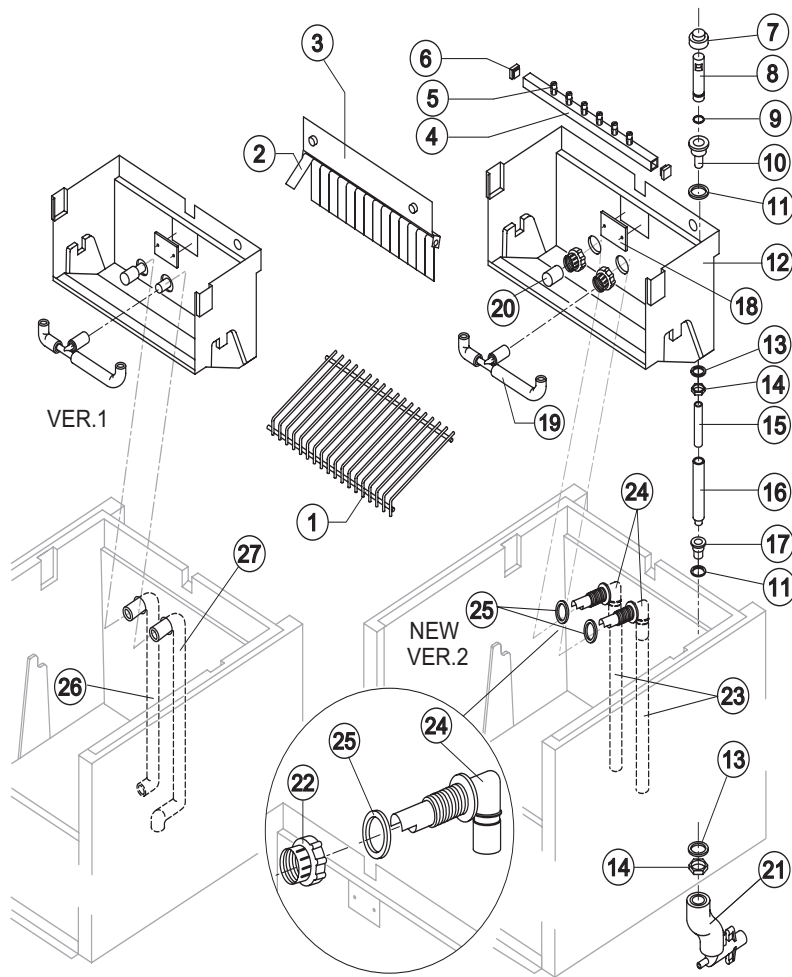
### Ref. 9 - Compressor

Tension	Refr. R404A
220/240V 50 Hz	23438
220/230V 60 Hz	23466
110/115V 60 Hz	23586



# CB 1565

# HYDRAULIC CIRCUIT



### Common Parts

Ref.	Spare Description	Code
1	Ice Cube Slides	See Table -
2	Flag	10005
3	Flags Support Assy	C22134
4	Sprayers Bar Assembly	See Table -
5	Sprayer	D20002
6	Sprayers Bar Plug	10012
7	Overflow Cap	10305
8	Overflow Pipe	10133
9	OR Gasket for Overflow Pipe	20233
10	Overflow Pipe Nipple	10241
11	Silicone Gasket	13006
12	Inner Basin	10055
13	Semirigid Polyethylene Gasket	13007
14	Bin Discharge Nut	10096
15	Overflow Pipe	Current Version 13107
15	Overflow Pipe	Till s/n. 62565 13094
16	Overflow/Discharge Connection Pipe	Current Version 10256
16	Overflow/Discharge Connection Pipe	Till s/n. 62565 22088
17	Plastic Nipple Water Outlet	10007
18	Slide Keep Plate	10009
19	Sprayers Bar Pipe Connection Assy	C13036
20	Pump Suction Filter	20005
22	Fitting Locking Ring	Version 2 10405
23	Pump Suction/Delivery Pipe	Version 2 13142
24	Fitting of the Pump Suction/Delivery Pipes	Version 2 10404
25	Gasket for Suction Line/Pump Delivery	Version 2 13143
26	Pump Suction Pipe	Version 1 13096
27	Pump Delivery Pipe	Version 1 13095

### Ref. 1 - Ice Cubes Slide

Kind of Cube	Code
18 g. (Standard)	D12022
33 g. (Big)	D12033
13 g. (Small)	D12040

### Ref. 6 - Sprayers Bar Ass.

Kind of Cube	Code
18 g. (Standard)	C20144
33 g. (Big)	C20157
13 g. (Small)	C20200

### Parts for Air Cooled Version Only

Ref.	Spare Description	Code
21	Discharges Manifold	C10006

### Parts for Water Cooled Version Only

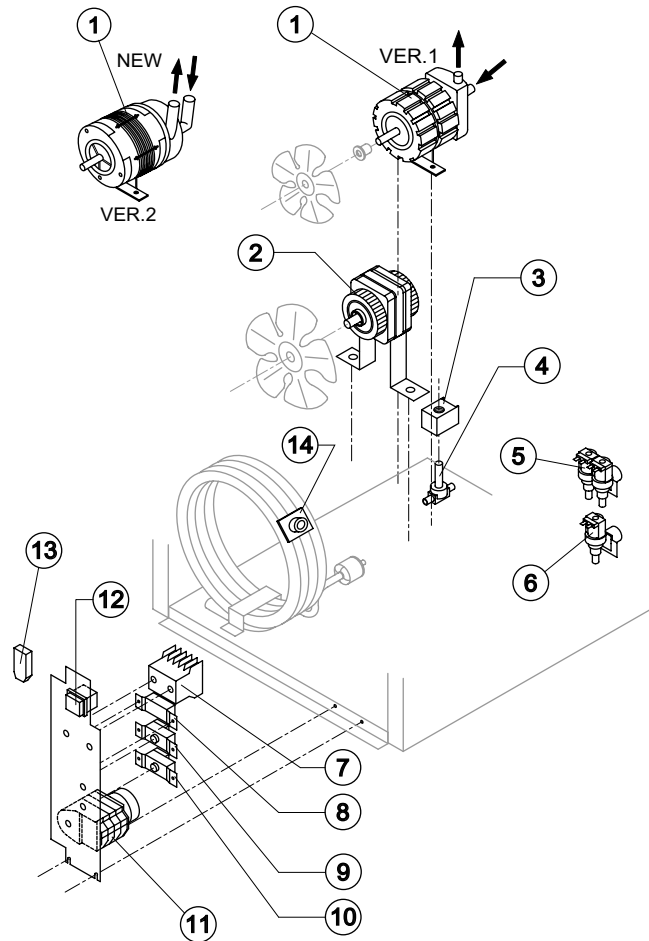
Ref.	Spare Description	Code
21	Discharges Manifold	C26452

Rev. 2 - 10/2/2003



# CB 1565

# ELECTRIC PARTS



### Common Parts

Ref.	Spare Description	Code
1	Pump	See Table
3	Hot Gas Coil	23091
4	Hot Gas Valve Body	20409
7	Contactors	23594
9	Bin Thermostat	23005
10	Evaporator Thermostat	23591
11	Timer	See Table
12	Green Light Switch	23327

### Parts for Air-Cooled Version Only

Ref.	Spare Description	Code
2	Fan Motor	23121
6	Inlet Watervalue 1 Way	23108
8	Condenser Pressure Switch	23175
13	Anti Radio Interference Filter	Only 220V 50 Hz 23459

### Parts for Water-Cooled Version Only

Ref.	Spare Description	Code
2	Fan Motor	23029
5	Inlet Watervalue 2 Ways	23138
14	Safety Thermostat	C23114

### Ref. 1 - Pump

Tension	Version 1	Version 2
220/240V 50 Hz	23068	23462
220/230V 60 Hz	23068	23462
110/115V 60 Hz	23264	23663

### Ref. 11 - Timer

Tension	18g Cube	33g Cube	13g Cube
220/240V 50 Hz	23247	23248	23472
220/230V 60 Hz	23222	23396	23247
110/115V 60 Hz	23258	-	-

Rev. 2 - 10/2/2003