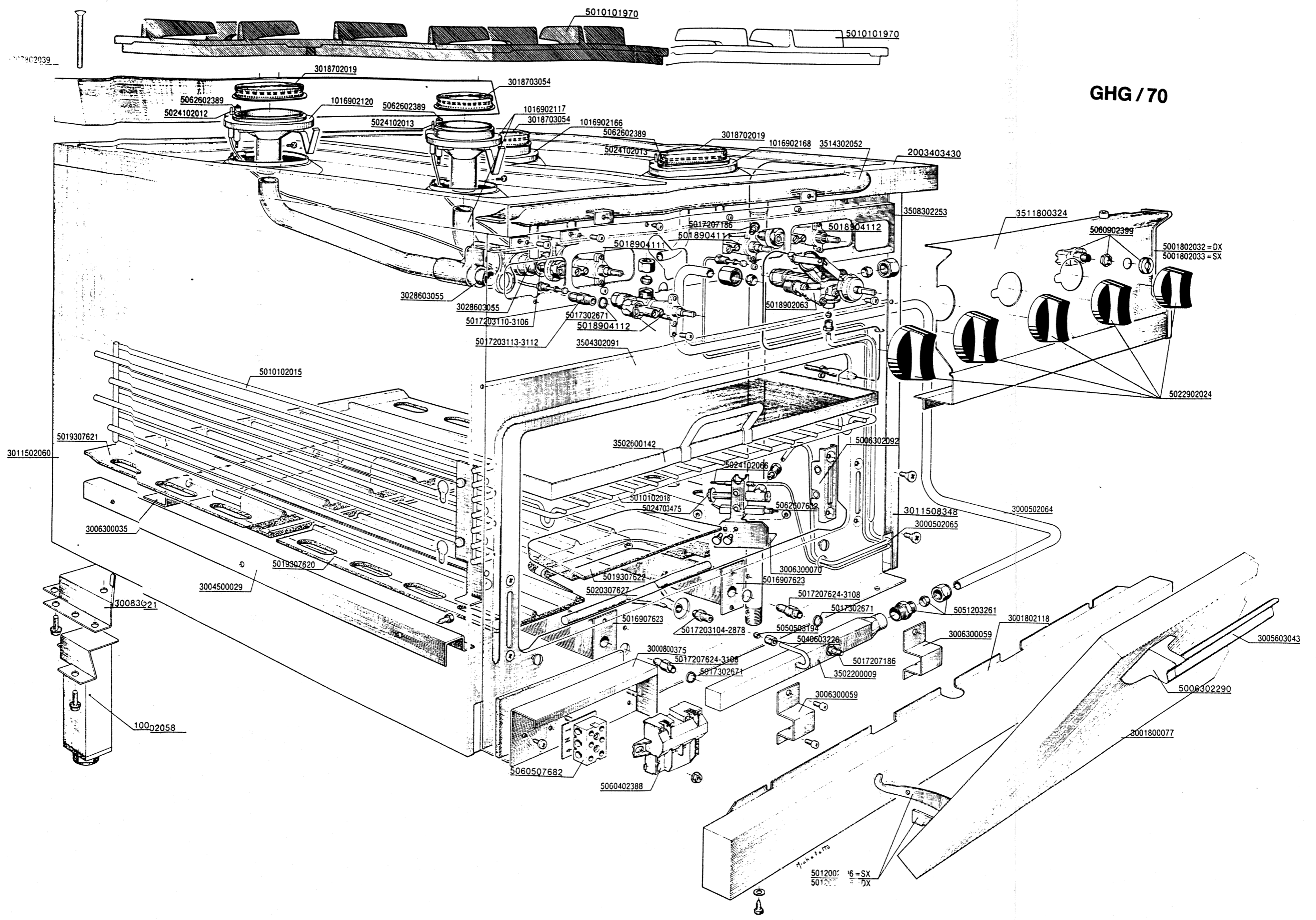


GHG / 70



ERSATZTEILLISTE	LISTA PARTICOLARI	LIST OF PARTS	LIST DES COMPOSANTS	26.07.91	
0104902143	GASHERD4 FLAMMEN	CUCINAGAS4 F.	GAS RANGE 4 F.	CUISINIERE GAS 4 F. GHG/70 PAG. 1	
COD.	BESCHREIBUNG	DESCRIZIONE	DESCRIPTION	DESCRIPTION	QUANT.
1013504083	KABELSATZ	IMPIANTO CAVIACCENSIONE	LIGHTING WIRING ASSEMBLY	INSTALLATION CABLES ALLUMAGE	1
2003403430	EINFASSUNG	PIANO COTTURA	HOB	PLAN CUISSON	GH/70-S 1
2016902017	BRENNERKOPF "C"	TESTABRUCIA. "C"	BURNER HEAD "C"	TETE BRULEUR "C"	S/70 2
2016902026	BRENNERKOPF "B"	TESTABRUCIA. "B"	BURNER HEAD "B"	TETE BRULEUR "B"	S/70 2
3000500230	ROHR ZU GASV. 43mm	TUBO RACCORDO	PIPE FITTING 43mm	TUYAU RACCORD	GH/35-105 4
3000502023	ROHR BRENNER LANG	TUBO BRUCIATORE L.	BURNER PIPE SIDE GH/35/105	TUYAU BRULEUR L.	2
3000502029	ROHR BRENNER KURZ	TUBO BRUCIATORE C.	BURNER PIPE CENTRE GH/35/105	TUYAU BRULEUR C.	2
3000502048	ROHR ZU GASVENTIL	TUBO VALVOLA	VALVE PIPE	TUYAU SOUPAPE	GB/70 1
3000502064	ROHR GASZUFUHR	CONDOTTA GAS FORNO	OVEN GAS PIPE	CONDUITE GAZ FOUR	1
3000502065	ROHR ZÜNDBRENNER	TUBO BRUCIATORE D'ACCENSIONE	LIGHTING BURNER PIPE	TUYAU BRULEUR D'ALLUMAGE	1
3000503793	ROHR ANSCH. VENTILR.	TUBO ALLACCIAMENTO	SUPPLY PIPE	TUYAU BRANCHEMENT	1
3000800375	ABDECKUNG "ZAG"	LAMIERA PROTEZIONE "ZAG"	GUARD PLATE	TOLE PROTECTRICE	"ZAG" 1
3000802116	ABDECKUNG SCHALTBL.	CRUSCOTTO PANNELLO COM. S/70	PANEL BOARD	TABLEAU PANNEAU	COM. S/70 1
3000802208	ABDECKUNG KABELL.	PROTEZIONE CAVO S. GHG/GZE/70	WIRING GUARD LH	PROTECTION CAB. GCH	GHG/GZE/70 1
3000802211	ABDECKUNG ZÜNDBR.	PROTEZIONE PILOTA GHG/70/105	PILOT GUARD	PROTECTION VEILLEU.	GHG/70/105 1
3001602096	BODEN GASBRENNER	FONDO BRUCIATORI	BURNER BASE	FOND BRULEURS	GB/70 1
3001800077	BLENDE BACKROHRTÜR	BOMBATO PORTINA F. GB/EB/70	OVEN DOOR CONV. SCT	.PORTE BOMBEE D.	GB/EB/70 1
3001802118	BLENDE FASSADE U.	CRUSCOTTO FACCIATA GB/70	FACE CTRL. PANEL	TABLEAU DEVANT	GB/70 1
3004500029	SCHIENE GUSSBODEN	GUIDA FONDO GHISA GB/EB/70	CAST IRON BTM. GUID.	GUIDE FOND FONTE	GB/EB/70 2
3005603043	GRIFF TÜR 525mm	MANIGLIA PORT. 525mm GB/EB/70	DOOR HANDLE 525mm	POIGNEE PORTE	GB/EB/70 1
3005603167	GRIFF BACKBLECH	MANIGLIA BAC. FORNO S/70/85	OVEN TRAY HANDLE	POIGNEE BASS. FOUR	S/70/85 2
3006300035	HALTER BRENNER H.	SUPPORTO BRUC. POST.	REAR BURNER SUPT.	SOPPORT BRULEU. ARR.	GB/70BG/85 1
3006300059	HALTER BRENNERR.	SUPPORTO RAMFA	RAMP SUPPORT	SOPPORT PONT	S/70/85 2
3006300070	HALTER ZÜNDBRENNER	SUPPORTO PILOTA	PILOT SUPPORT	SOPPORT VEILEUSE	GB/70 1
3006301507	HALTER VERBINDUNG	SUPPORTO	SUPPORT	SOPPORT	S/70 2
3006302044	HALTER VENTILRAMPE	SUPPORTO RAMPA VALVOLE	VALVE RAMP SUPPORT	SOPPORT PONT SOUPAPES	2
3006303877	HALTER GASVENTIL	SUPPORTO VALVOLA	VALVE SUPPORT	SOPPORT SOUPAPES	GB/70 1
3006702085	ISOLIERBLECH H.	LAMIERA ISOLANTE CAMINO	FLUE INSULATING PLATE	TOLE ISOLANTE CHEMINEE	1
3006702284	ISOLIERBLECH MANT.	LAMIERA ISOLANTE CAMINO	INSULATING JACKET	MANTEAU ISOLANT	1
3006801975	ISOLIERPLATTE KLEIN 3-POLIG	ISOLAZIONE PICCOLA A 3 POLI	SMALL INSULATOR 3-POLE	PETITE ISOLATION A 3 POLES	1
3007802039	KAMIN	CAMINO	FLUE	CHEMINEE	S/70 1
3007802083	KAMIN ABZUG	CAMINO	FLUE	CHEMINEE	GB/70 1
3008302221	TRÄGER OHNE FÜSSE	SUPPORTO SENZ. PIED.	SUPT. WITHOUT FEET S/70	SOPPORT SANS PIED	4
3009702172	RÜCKWANDA.	SCHIENA	BACK	DOS	1
3010002581	REGULIERBLECH LUFT	LAMIERA REGOLAZIONE	REGULATION PLATE	TOLE REGLAGE	2
3010704031	RINNE	CANALETTO	DUCT	CANNELLURE	S/35-105 1
3011502060	SEITENWAND LINKS	FIANCO SINISTRO	SIDE LH	COTE GAUCHE	GHG/EHE/70 1
3011508348	SEITENWAND RECHTS	FIANCO DESTRO	SIDE RH	COTE DROIT	GHG/EHE/70 1
3011802111	SCHALTBLLENDE	PANNELLO COMANDO	CONTROL PANEL	PANNEAU COMMANDE	GHG/70 1
3014201847	VERSTÄRKUNG TÜR	RINFORZO PORTINA	DOOR STIFFENER	RENFORT PORTE	GB/EB/70 1
3018702019	FLAMMENVERTEILER "C"	SPARTIFIAMMA "C"	BURNER ELEMENT "C"	CASSE FLAMME "C"	GH/35-105 2
3018703054	FLAMMENVERTEILER "B"	SPARTIFIAMMA "B"	BURNER ELEMENT "B"	CASSE FLAMME "B"	GH/35-105 2
3028603055	HÜLSE LUFT BRENNER	GUAINA REGOLAZIONE BRUC.	BURNER ADJUSTMENT SHEATH	GAINE REGLAGE BRULEUR	4

ERSATZTEILLISTE

LISTA PARTICOLARI

LIST OF PARTS

LIST DES COMPOSANTS

26.07.91

COD.	BESCHREIBUNG	DESCRIZIONE	DESCRIPTION	DESCRIPTION	QUANT.
0104902143	GASHERD 4 FLAMMEN	CUCINAGAS 4 F.	GAS RANGE 4 F.	CUISINIERE GAS 4 F.	GHG/70 PAG. 2
3500502207	ROHR ELT.-ANSCHL.	TUBO COLLEG ELETT.GHG/70	ELEC.CONNECT.TUBE	TUYAU CONNEC. ELECT.	GHG/70 1
3502200009	BRENNERRAMPE	RAMPA BRUCIATORE	BURNER RAMP	PONT BRULEUR	GB/70-BG/85 1
3502600142	BACKBLECH 4-SEITIG	BACINELLA FORNO	OVEN TRAY	BASSIN FOUR	S/70/85 1
3504302091	FASSADE BACKROHR	FACCIATO FORNO	OVEN FACE	DEVANT FOUR	GB/EB/70 1
3505702103	GEGENBLLENDE TÜR	CONTROBOMBATO PORT.	DOOR CTR.CONV.SECT.	INTERIEUR PORTE	GB/EB/70 1
3507802084	KAMIN H.	CAMINO POSTEFIORE	REAR FLUE	CHIMINEE ARRIERE	1
3508302043	TRÄGER FUSS VIERKANT	PORTANTE PIEDE QUADRO	PANEL FOOT SUPPORT	PORTANT PIED CARRE	S/70 4
3508302253	TRÄGER GASVENTIL	PROFILO LONG.	LONGIT. SECTION	PROFIL LONG.	GH/GHG/70 1
3508600026	BACKROHR GAS	FORNO GAS	GAS OVEN	FOUR GAZ	GB/70 1
3511800324	SCHALTBLLENDE	PANNELLO COMANDO	CONTROL PANEL	PANNEAU COMMANDE	GHG/70 1
3514302052	VENTILRAMPE	RAMPA VALVOLE	VALVE RAMP	PONT SOUPE	GHG/70 1
5000420643	SCHÜRHAKEN	ATTIZZATOIO	POKER	DECRASSEUR	GB 1
5000603058	ANSCHLUSS BRENNER	ATTACCO BRUCIATORE	BURNER CONNECTION	ATTACHE BRULEUR	S/70 4
5001802032	BLLENDE-ABSCHLUSS R.	TERMINALE CRUSCOTTO DX	PANEL TERMINAL RH	EXTREMITÉ TABLEAU DX	S/70 1
5001802033	BLLENDE-ABSCHLUSS L.	TERMINALE CRUSCOTTO SX	PANEL TERMINAL LH	EXTREMITÉ TABLEAU SX	S/70 1
5004609922	GEWINDESTOPFEN	PIEDINO REGOLABILE	ADJUSTABLE FOOT	PIED REGLABLE	S/70 4
5004703314	FEDER FÜHLERHALTER	FERMAGLIO BULBO	LAMP CLIP	ATTACHE SONDE	UBG/UBE/WS 1
5004703719	FEDER ZÜNDKERZE	MOLLA CANDELETTA	SPARK PLUG SPRING	RESSORT BOUGIE	S/70 4
5004704046	FEDER THERMOFÜHLER	MOLLA TERMOCOPPIAN	THERMOCOUP. SPRING	RESSORT THERMOCOUPLE	S/70/85 4
5006302092	HALTER SCHARNIER	PORTARULLINO CERNIERA	HINGE ROLLER HOLDER	PORTE GALETS CHARNIERE	GB/EB 2
5006302290	HALTER GRIFF	SUPPORTO MANIGLIA	HANDLE SUPPORT	SOPPORT POIGNEE	S/70 2
5006802657	ISOLIERUNG GLASWOLLE	PANNELLO ISOLANTE	INSULATING PANEL 590x380x25	PANNEAU ISOLANT	.500
5006802763	ISOLIERUNG GLASWOLLE	PANNELLO ISOLANTE	INSULATING PANEL 680x410x25	PANNEAU ISOLANT	2
5006802766	ISOLIERUNG GLASWOLLE	PANNELLO ISOLANTE	INSULATING PANEL 680x590x25	PANNEAU ISOLANT	2
5006805301	ISOLIERUNG GLASWOLLE	PANNELLO ISOLANTE	INSULATING PANEL 690x370x25	PANNEAU ISOLANT	1
5010101970	STERNROST	GRIGLIA GAS	GAS GRILL	GRILLE GAZ	S/75 4
5010102015	ROST SEITE VERCHR.	GRIGLIA LATERALE FORNO	OVEN SIDE GRILL	GRILLE COTE FOUR	2
5010102018	ROST BACKROHR VERCHROMT	GRIGLIA FORNO CROMATA	CHROME-PL. OVEN GRILL	GRILLE FOUR CHROMEE	1
5010103748	REDUZIERROST INOX	GRIGLIA RIDUZIONE	ADAPTOR GRILL	GRILLE REDUCTION	S/70 1
5012002108	SCHARNIER L.	CERNIERA	HINGE	CHARNIERE	GB/EB 1
5012002196	SCHARNIER R.	CERNIERA	HINGE	CHARNIERE	GB/EB 1
5016907623	BRENNER	BRUCIATORE 800/7A 570mm	BURNER 800/7A 570mm	BRULEUR	GB/BG 2
5017202878	DÜSE ZÜNDBRÜCKE	UGELLO RAMPAACCENSIONE T60	BURNING BRIDGE JET	GICLEUR PONT ALLUMAGE	T 60 1
5017203104	DÜSE ZÜNDBRÜCKE	UGELLO RAMPAACCENSIONE T30	BURNING BRIDGE JET	GICLEUR PONT ALLUMAGE	T 30 1
5017203106	DÜSE BRENNER AL 125 N	UGELLO BRUCIATORE AL 125 N	BURNER JET	GICLEUR BRULEUR	AL 125 N 2
5017203108	DÜSE BRENNER AL 150 PP	UGELLO BRUCIATORE AL 150 PP	BURNER JET	GICLEUR BRULEUR	AL 150 PP 2
5017203110	DÜSE BRENNER AL 70 N	UGELLO BRUCIATORE AL 70 N	BURNER JET	GICLEUR BRULEUR	AL 70 N 2
5017203112	DÜSE BRENNER AL 150 N	UGELLO BRUCIATORE AL 150 N	BURNER JET	GICLEUR BRULEUR	AL 150 N 2
5017203113	DÜSE BRENNER AL 85 N	UGELLO BRUCIATORE AL 85 N	BURNER JET	GICLEUR BRULEUR	AL 85 N 2
5017207186	DRUCKMESSDÜSE	PRESA DI PRESSIONE OT 58	PRESSURE INTAKE BRASS	PRISE DE PRESSION	2
5017207624	DÜSE BRENNER AL 80 PP	UGELLO BRUCIATORE AL 80 PP	BURNER JET	GICLEUR BRULEUR	AL 80 PP 2
5018902063	GASVENTIL 0,5	RUBINETTO VALV.0,5	VALVE COCK	ROBINET SOUPE	0.5 GB/70 1
5018904111	GASVENTIL 0,28	VALVOLA GA 0,28	GAS VALVE 0.28	SOUPE GAZ	SC/PEL/20S 2

ERSATZTEILLISTE		LISTA P <small>U</small> TICOLARI	LIST OF PARTS	LIST DES COMPOSANTS	26.07.91
0104902143	GASHERD 4 FLAMMEN	CUCINAGAS 4 F.	GAS RANGE 4 F.	CUISINIERE GAS 4 F.	GHG/70 PAG. 3
COD.	BESCHREIBUNG	DESCRIZIONE	DESCRIPTION	DESCRIPTION	QUANT.
5018904112	GASVENTIL 0,35	VALVOLA GAS 0,35	GAS VALVE 0.35	SOUPAPE GAZ	SC/PEL/20S 2
5019307620	GUSSPLATTE VORNE	FONDO FORNO ANTERIORE	OVEN BOTTOM FRONT	FOND FOUR AVANT	1
5019307621	GUSSPLATTE HINTEN	FONDO FORNO POSTERIORE	OVEN BOTTOM REAR	FOND FOUR ARRIERE	1
5019307622	GUSSPLATTE DECKEL	FONDO FORNO COPERCHIO	OVEN BOTTOM COVER	FOND FOUR COUVERCLE	1
5020307627	ZÜNDBRÜCKE	RAMPA ACCENSIONE 230mm	BURNING BRIDGE	PONT ALLUMAGE	230mm GB 1
5022902024	SCHALTKNOPF GAS	MANOPOLA GAS	GAS KNOB	BOUTON GAZ	S/70 5
5024102012	THERMOFÜHLER	TERMOCOPPIA 600mm	THERMOCOUPLE 600mm	THERMOCOUPLE	GH/HG 2
5024102013	THERMOFÜHLER	TERMOCOPPIA 320mm	THERMOCOUPLE 320mm	THERMOCOUPLE	GH/HG 2
5024102066	THERMOFÜHLER	TERMOCOPPIA 1200mm	THERMOCOUP. 1200mm	THERMOCOUPLE	GB/70 1
5024703475	ZÜNDBRENNER 3-WEG	PILOTATRE VIE 4mm SIT	PILOT 3-WAY	VEILLEUSE 3 SORT	4mm SIT 1
5040603226	ÜBERWURFMUTTER	DADO PER BICONO OT.M	NUT BRASS OLIVE	ECROU POUR BICON. LAITON	M 10x1>6 1
5050402830	MUFFE SCHWARZ	MANICOTTO NERO	SLEEVE BLACK	MANCHON NOIR	3/8" 1
5050503194	DOPPELKEGELRING	BICONO OTTONE	OLIVE BRASS	BICONE LAITON	D=6 1
5051203261	ROHRVERSCHRAUBUNG	RACCORDO OTTONE	FITTING BRASS	RACCORD LAITON	3/8">10 1
5060402388	TAKTFUNKENZÜNDGERÄT	ACCENSIONE	LIGHTING	ALLUMAGE	ZAG-6 S/70 1
5060507682	ANSCHLUSSKLEMME	MORSETTIERA 8010/3	TERMINAL	BORNE	8010/3 DS.KR. 1
5060902399	DRUCKTASTER INTERRUTTORE A PULSANTE		PUSH-BUTTON SWITCH	INTERUPTEUR A POUSSOIR	1
5061003569	KABEL ZÜNDUNG	CAVO ACCENSIONE 600mm	LIGHTING CABLE 600mm	CABLE ALLUMAGE	S/70 1
5061003575	KABEL ZÜNDUNG	CAVO ACCENSIONE 1600mm	LIGHTING CABLE 1600mm	CABLE ALLUMAGE	S/70 4
5062602389	ZÜNDKERZE	CANDELA ACCENSIONE	LIGHTING PLUG	BOUGEI ALLUMAGE	S/70 4
5062607632	ZÜNDKERZE SIT	CANDELA ACCENSIONE SIT	LIGHTING PLUG	BOUGEI ALLUMAGE	SIT 1
5207404228	HOLZVERSCHLAG	GABBIA LEGNO	WOODEN CRATE	EMBALLAGE BOIS	S/70 70 N 1