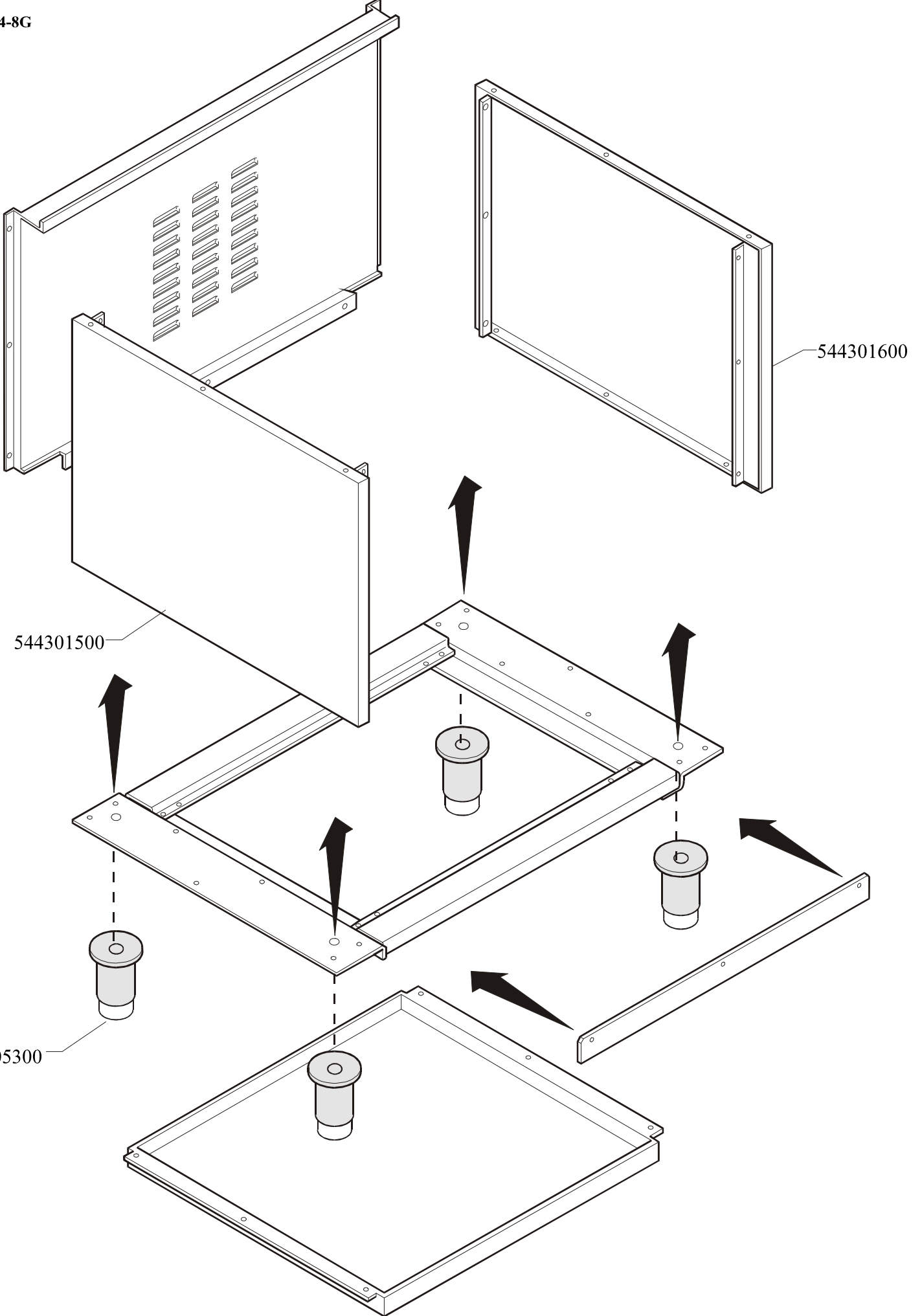
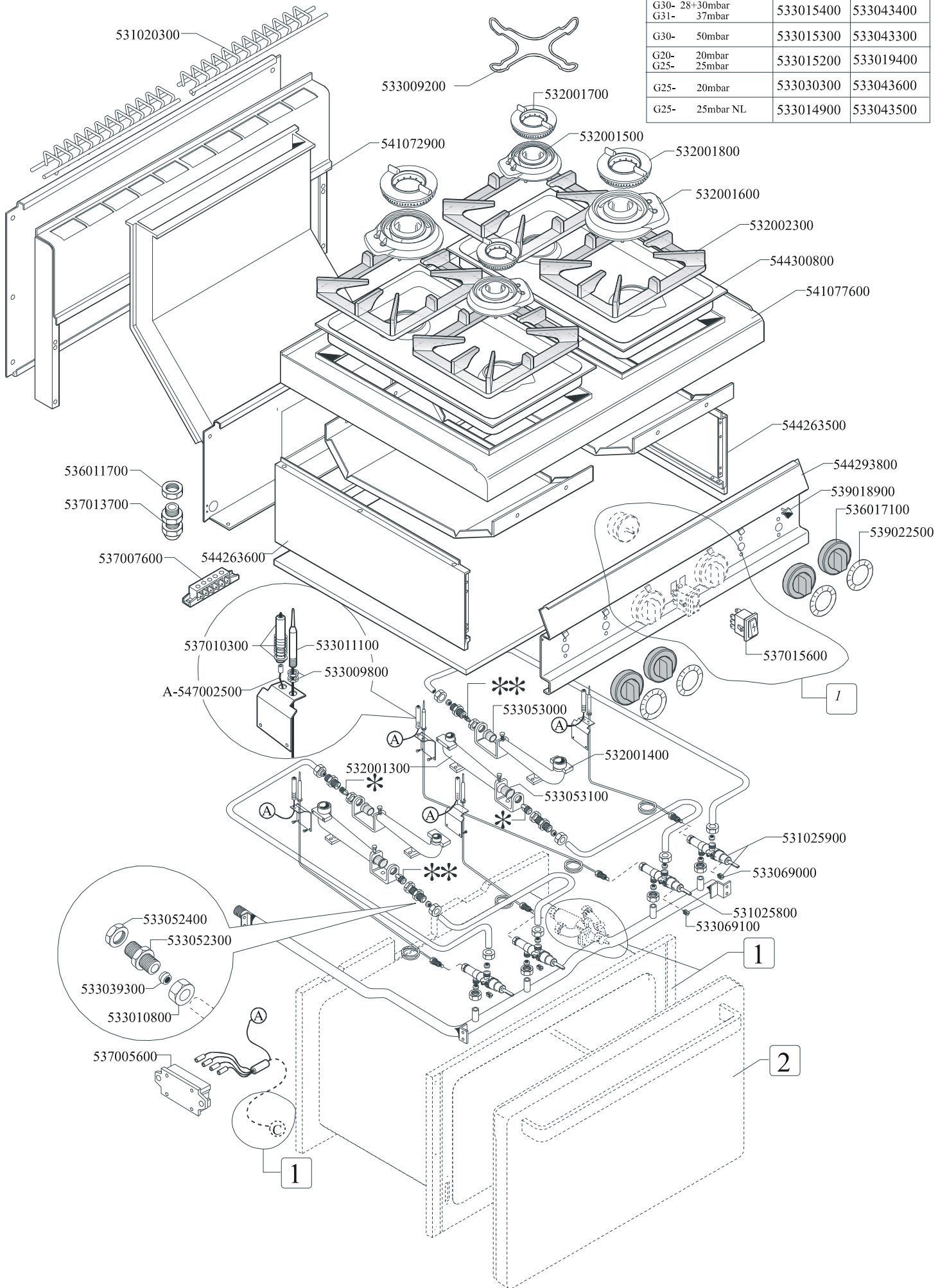


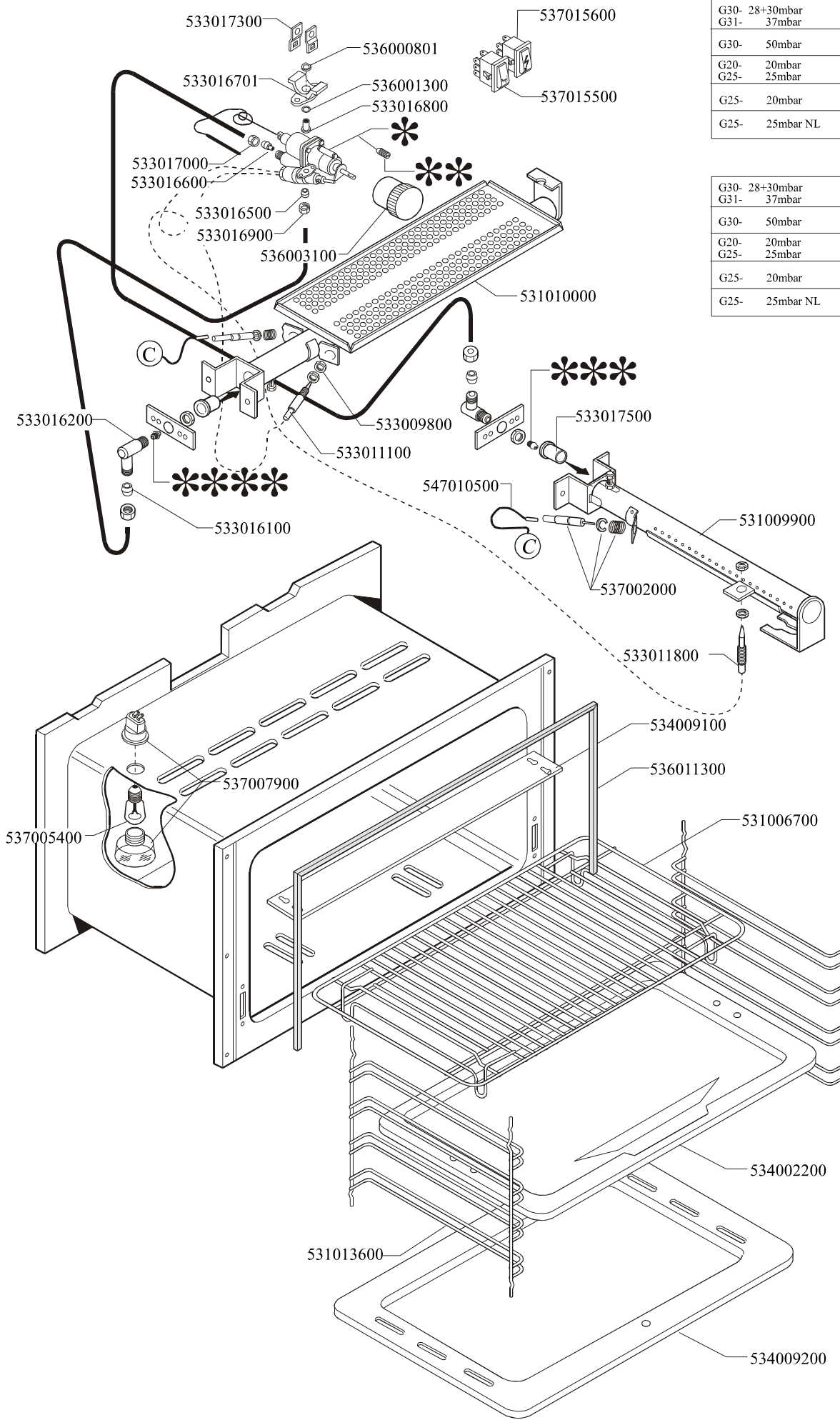
CF4-8G



	*	**
G30- 28+30mbar G31- 37mbar	533015400	533043400
G30- 50mbar	533015300	533043300
G20- 20mbar G25- 25mbar	533015200	533019400
G25- 20mbar	533030300	533043600
G25- 25mbar NL	533014900	533043500



**FORNO GAS CF...-8... CF...-10... / GAS OVEN CF...-8... CF...-10... / GAS
BACKOFEN CF...-8... CF...-10... / FOUR A GAZ CF...-8... CF...-10...**

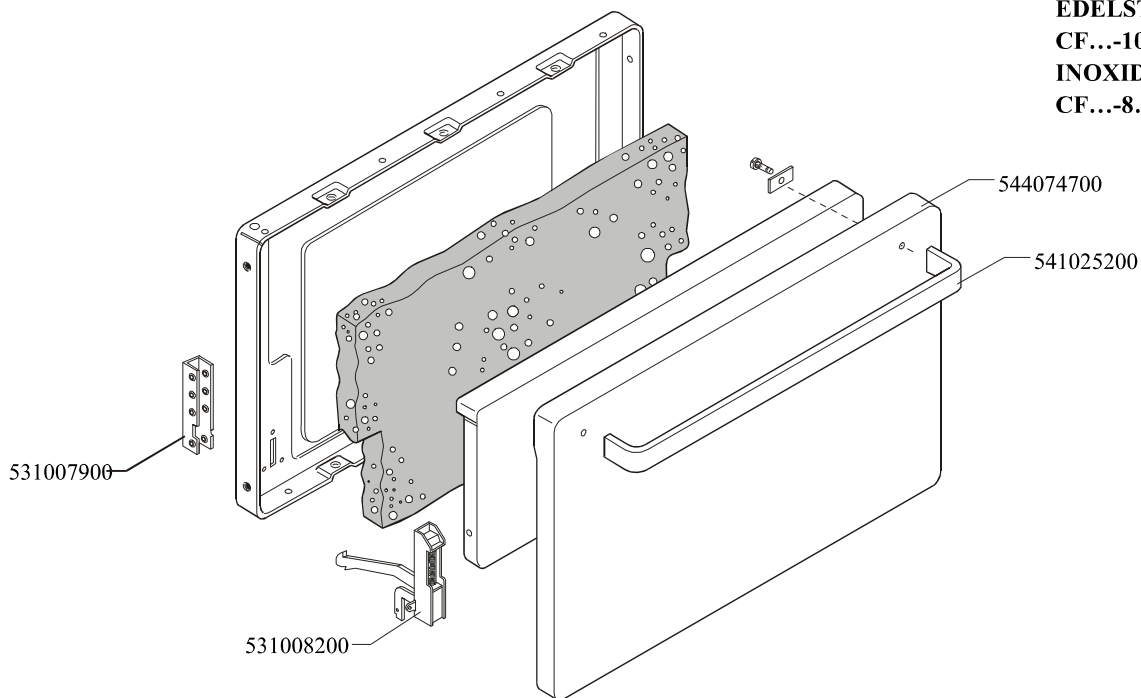


	*	**
G30- 28+30mbar G31- 37mbar	531008301	533068900
G30- 50mbar	531031700	533045900
G20- 20mbar G25- 25mbar	531008301	533068900
G25- 20mbar	531031700	533045900
G25- 25mbar NL	531008301	533068900

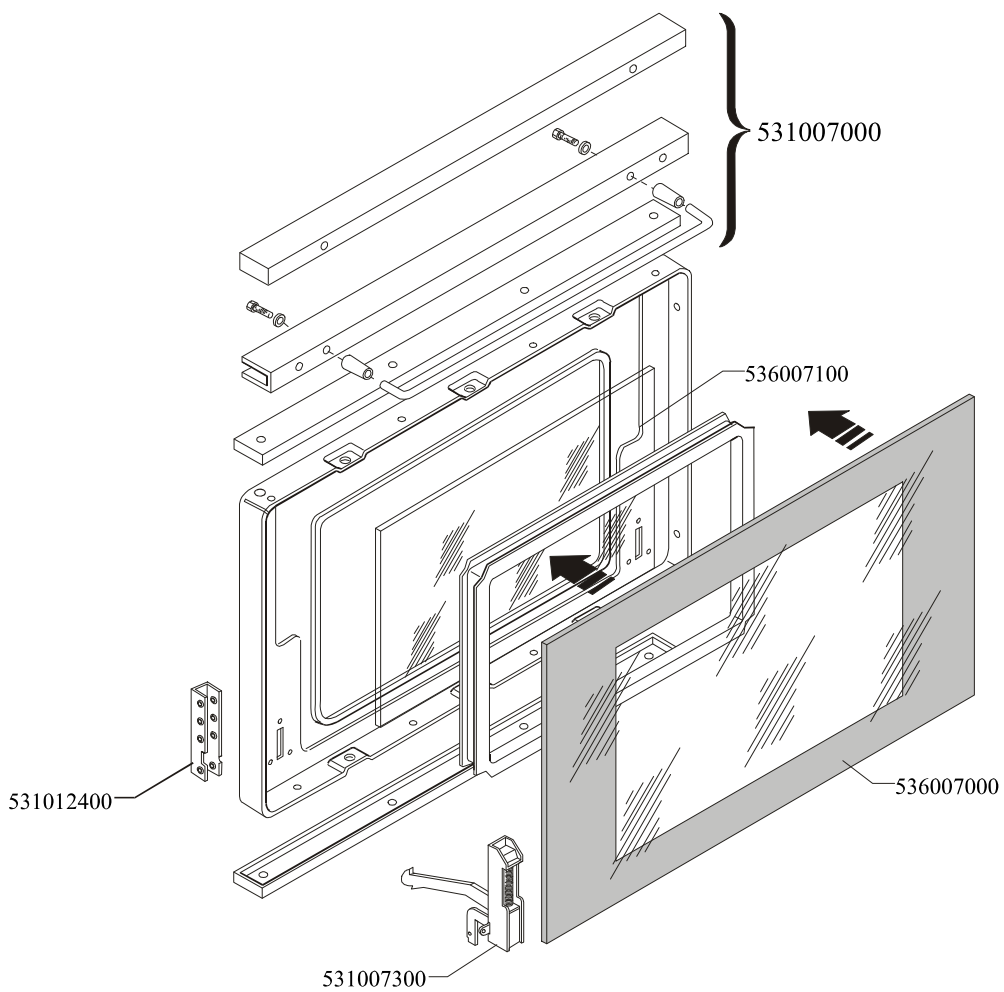
	***	****
G30- 28+30mbar G31- 37mbar	533013100	533013900
G30- 50mbar	533013000	533013100
G20- 20mbar G25- 25mbar	533013200	533013400
G25- 20mbar	533013300	533013500
G25- 25mbar NL	533014000	533050100

531012700

PORTE INOX/VETRO FORNO CF...-8...
CF...-10... / STAINLESS-STEEL/GLASS
DOORS OVEN CF...-8... CF...-10... /
EDELSTAHL/GLASTÜREN OFEN CF...-8...
CF...-10... / PORTES EN ACIER
INOXIDABLE/VITRES POUR FOUR
CF...-8... CF...-10...



531009600



Page	Pos	Code	Description
001		544301600	RIGHT SIDE FOR 65 RANGE
001		544301500	LEFT SIDE FOR 65 RANGE
001		536005300	PLASTIC LED 2"
002		531020300	FLUE GRID 400"S65"
002		533009200	REDUCTION FOR 65 AND 70 LINE
002		541072900	PERFORATED SPACER 8
002		532001700	QUICKBURNER §82
002		532001500	BURNER BODY 3,5 KW
002		532001800	QUICKBURNER §102
002		532001600	BURNER BODY 5,5 KW
002		532002300	1 FLAME GRILL 346X274 (70)
002		544300800	ENAMELLED BURNER DRIP PAN 1/1
002		541077600	UPPER PLATE PC-8G
002		544263500	RIGHT SIDE S.65
002		544293800	CONTROL PANEL CF4-8G
002		539018900	INDEX FOR KNOB
002		536017100	BLACK KNOB §70 PIN §8*6,5
002		539022500	ADHESIVE GRADUATED DISC FOR KNOB
002		537015600	BIPOLAR SWITCH
002		531025900	SAFETY TAP 20S-B PEL20S21070
002		533069000	BY PASS COCK §70 20S-21S
002		531025800	SAFETY TAP 20S-B PEL20S2160
002		533069100	BY PASS COCK §60 20S
002		533053000	AIR ADJUSTMENT BUSHING §18
002		532001400	BURNER VENTURI 5,5 KW
002		533053100	AIR ADJUSTMENT BUSHING §20
002		532001300	BURNER VENTURI 3,5 KW
002		533009800	BRASS NUT M8*1
002		533011100	THERMOCOUPLE 600 M8*1
002		A-547002500	HIGH-VOLT.WIRE 2,8X0,5 F2,8X0,8L600
002		537010300	PLUG IGNITION WITH SPRING PC65
002		544263600	LEFT SIDE S.65
002		537007600	TERMINAL BLOCK SINGLEPHASE 40A
002		537013700	CABLE SECURING CLAMP PG-11
002		536011700	HEXAGONAL LOCK NUT PG-11
002		533052400	NUT M20*1 H4
002		533052300	JOINT FOR NOZZLE HOLDER
002		533039300	BICONE §10
002		533010800	TUBE NUT D.10 M16*1,5
002		537005600	6 FLAME IGNITION CONTROL BOX V230
002		533015400	NOZZLE §93 CH12*14 G-PC4 R
002		533043400	NOZZLE §117 CH12*14 G-PC4 UR
002		533015300	NOZZLE §82 CH12*14 F-PC4 R
002		533043300	NOZZLE §103 CH12*14 F-PC4 UR
002		533015200	NOZZLE §145 CH12*14 F-FP/CP6
002		533019400	NOZZLE §180 CH12*14 L-FQ5
002		533030300	NOZZLE §160 CH12*14 M-FPG
002		533043600	NOZZLE §200 CH12*14 L-PC4 UR
002		533014900	NOZZLE §150 CH12*14 F-FQ5 L-FQ6
002		533043500	NOZZLE §190 CH12*14 G25 PC4R
003		533017300	TAP ATTACHMENT BRIDLE SABAF DIS.311

Page	Pos	Code	Description
003		533016701	FLANGE FOR COCK DIS.0503
003		536000801	EXTERNAL GASKET DIS.174-1
003		536001300	INTERNAL OVEN COCK GASKET
003		533016800	COCK TUBE SABAF DIS.S-461
003		533017000	THREADED FITTING FOR BICONE 8S
003		533016600	BICONE §8 H.6 SABAF DIS.688
003		533016500	BICONE 8§
003		533016900	D.8 BICONE THREADED FITTING SABAF
003		536003100	GAS OVEN KNOB CF-8/10
003		537015600	BIPOLAR SWITCH
003		537015500	REDLIGHTED SWITCH
003		531010000	GRILL BURNER CF
003		533016200	FITTING FOR BICONE §8
003		533016100	BICONE D.8
003		533011100	THERMOCOUPLE 600 M8*1
003		533009800	BRASS NUT M8*1
003		547010500	HIGH-VOLTAGE CABLE F.2,8X0,8-F.2,8X
003		533017500	VENTURI BUSHING FOR OVEN BURNER
003		531009900	OVEN BURNER CF
003		537002000	OVEN PLUG + SPRING
003		533011800	THERMOCOUPLE 1200 M8*1
003		537005400	OVEN BULB 15W 300°C
003		537007900	OVEN BULB-SOCKET
003		534009100	GRILL PROTECTION CF-8/10
003		536011300	OVEN GASKET CF-8/10
003		531006700	OVEN GRID FOR CF-8/10
003		534002200	OVEN DRIPPING-PAN CF-8/10
003		534009200	MAXI GAS OVEN BOTTOM
003		531013600	SIDE GRID FOR MAXI/VENTILATED OVEN
003		531008301	GRILL AND OVEN COCK BY PASS §40
003		533068900	§40 BY-PASS COCK FOR OVEN CF60/65
003		531031700	BY PASS 35 SAFETY COCK CF60 F/G
003		533045900	§35 BY-PASS THERMOSTATIC TAP
004		531012700	STAINLESS STEEL OVEN DOOR CF-8/10
004		531007900	STAINLESS STEEL DOOR WHEEL HOLDER
004		531008200	STAINLESS STEEL DOOR HINGE CF-8/10
004		544074700	STAINLESS STEEL OVEN DOOR PANEL
004		541025200	STAINLESS STEEL OVEN DOOR HANDLE
004		531009600	COMPLETE GLASS OVEN DOOR
004		531012400	GLASS DOOR WHEEL HOLDER CF-8/10
004		531007300	GLASS DOOR HINGE CF-8/10
004		536007100	INTERNAL GLASS OVEN DOOR CF-8/10
004		536007000	EXTERNAL GLASS OVEN DOOR CF8/10