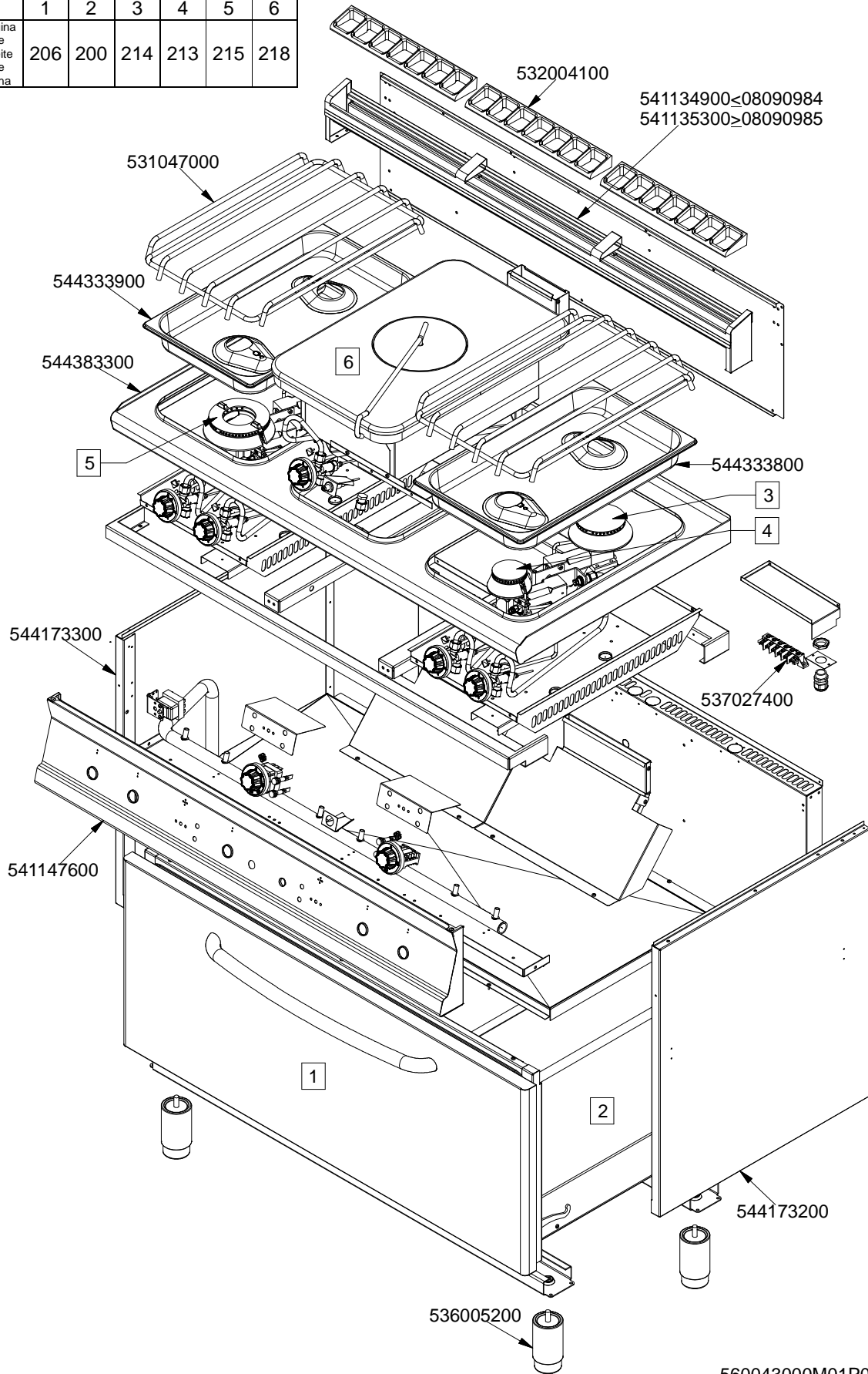


# SUPERLOTUS 70≥0602

CUCINE / RANGES / HERDE / CUISINIÈRES  
TPF...

## TPF4-712GPE

	1	2	3	4	5	6
Vedi Pagina See Page Siehe Seite Voir Page Ver Pàgina	206	200	214	213	215	218



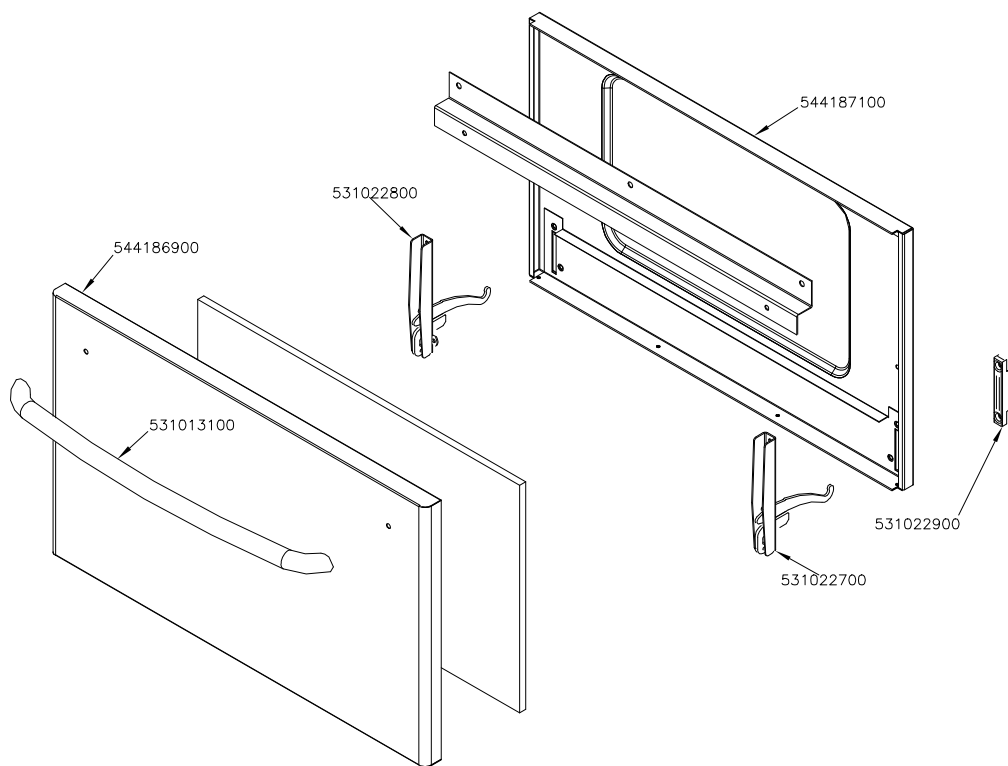
# SUPERLOTUS 70≥0602

CUCINE / RANGES / HERDE / CUISINIÈRES

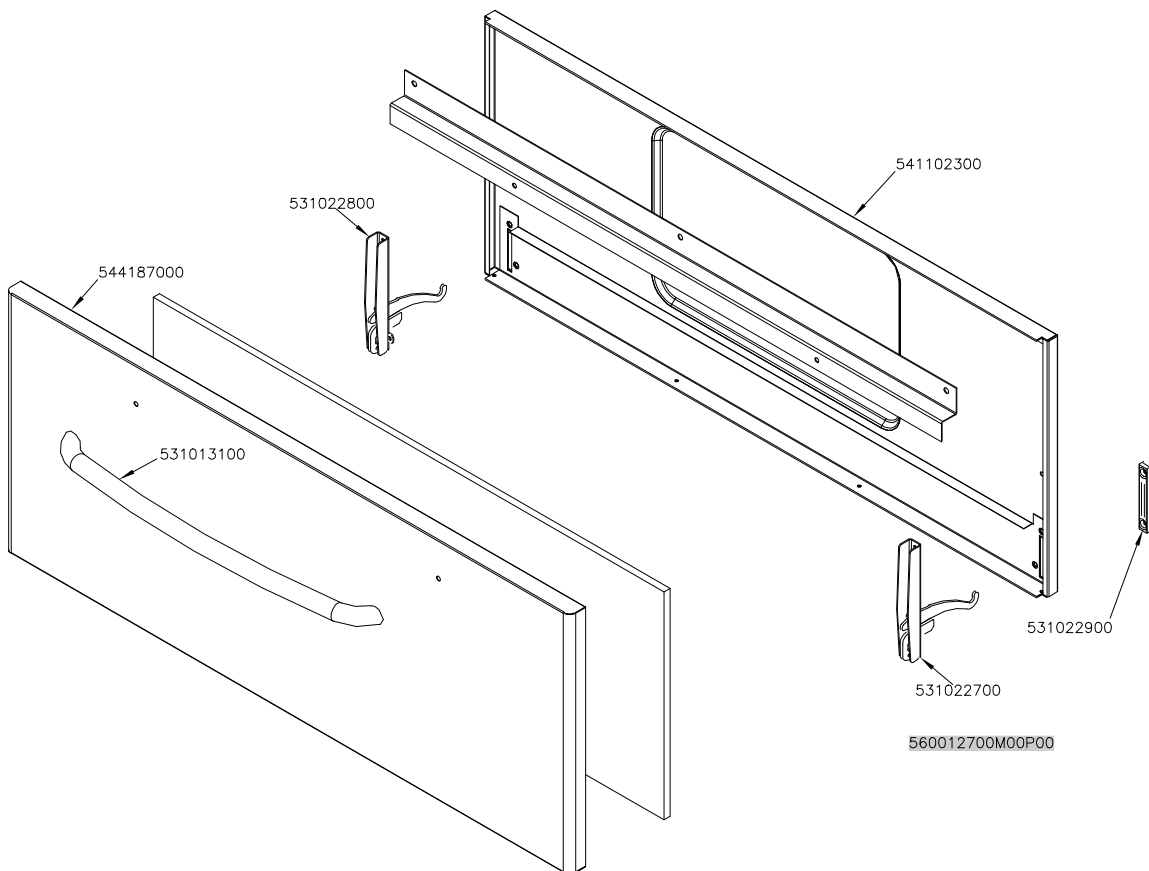
FORNO / OVEN / BACKOFEN / FOUR

## PORTE / DOORS / TÜREN / PORTES

GN 2/1



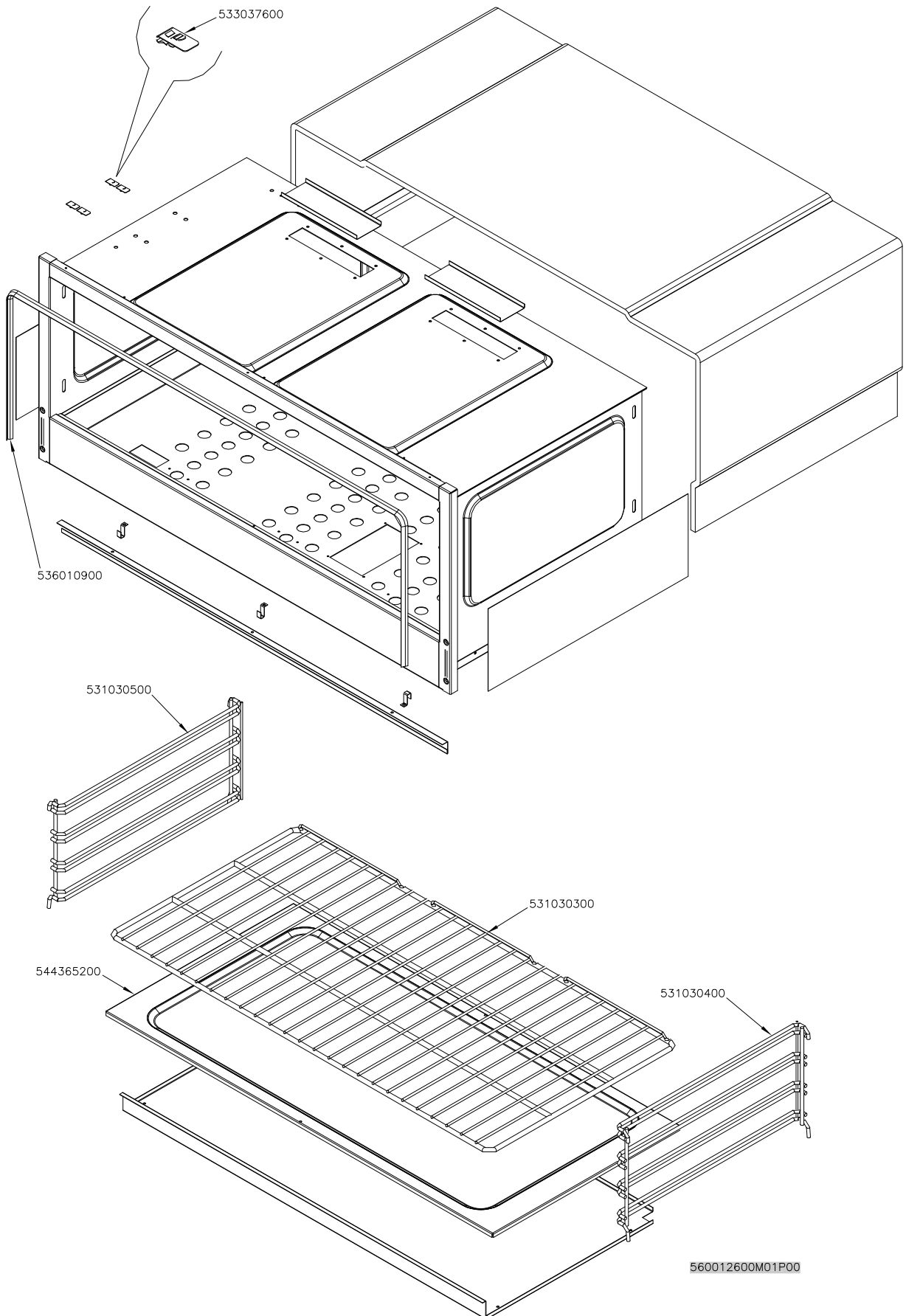
GN 3/1



# SUPERLOTUS 70≥0602

CUCINE / RANGES / HERDE / CUISINIÈRES  
FORNO / OVEN / BACKOFEN / FOUR

ELETTRICO / ELECTRICAL / ELEKTRO / ELECTRIQUE / GN 3/1

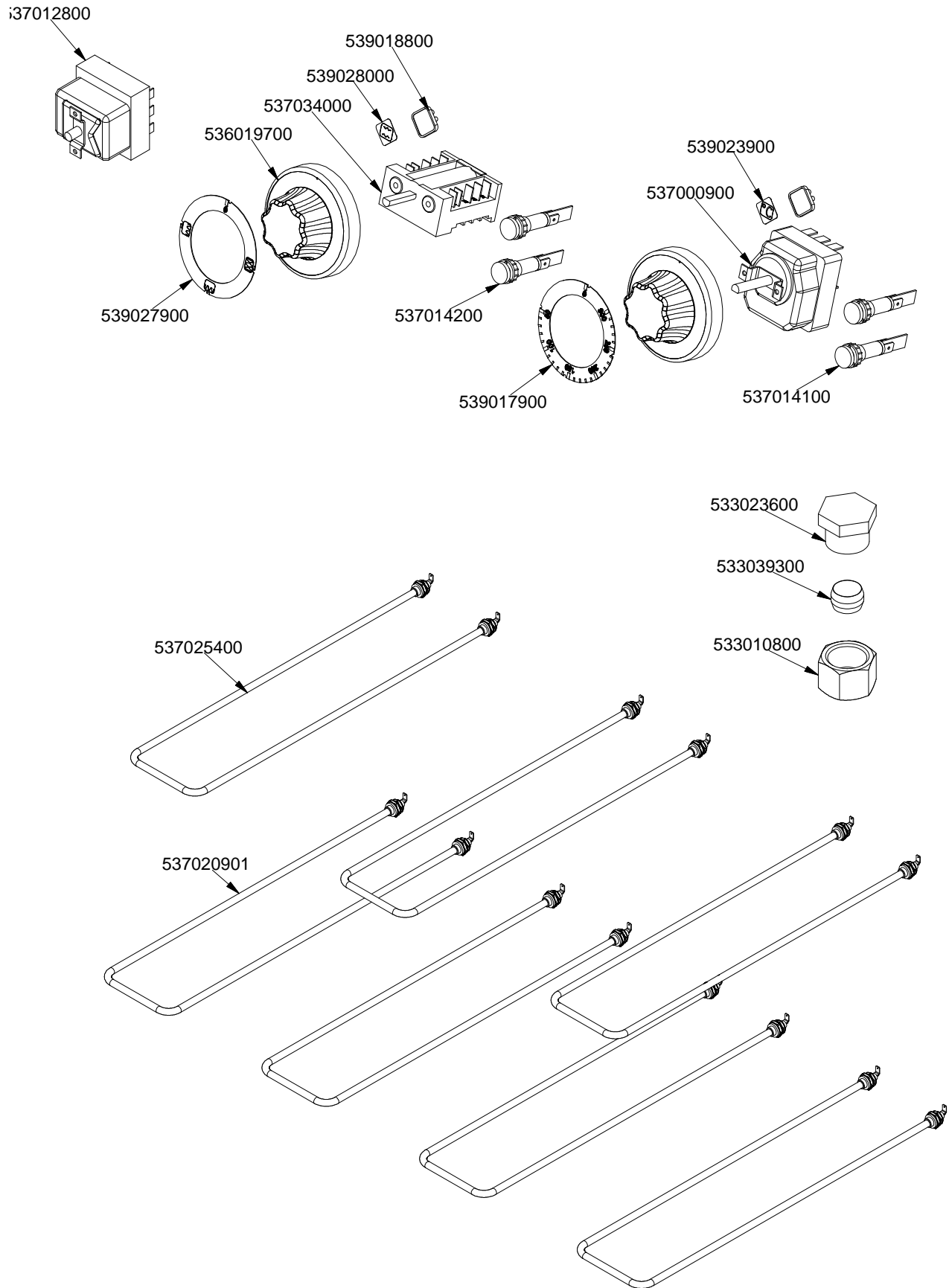


# SUPERLOTUS 70≥0602

CUCINE / RANGES / HERDE / CUISINIÈRES

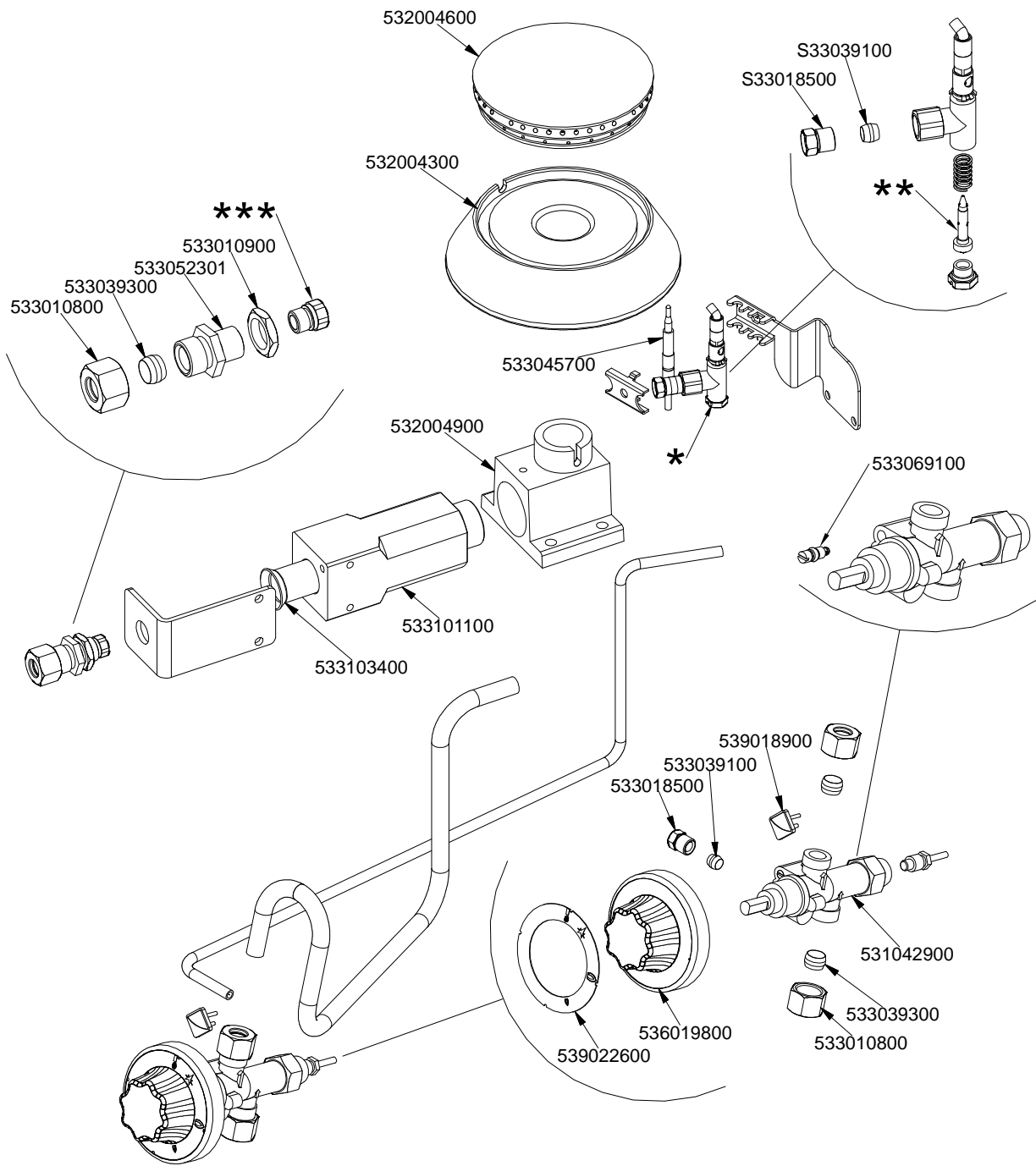
FORNO / OVEN / BACKOFEN / FOUR

ELETTRICO / ELECTRICAL / ELEKTRO / ELECTRIQUE / GN 3/1



560034801M00P00

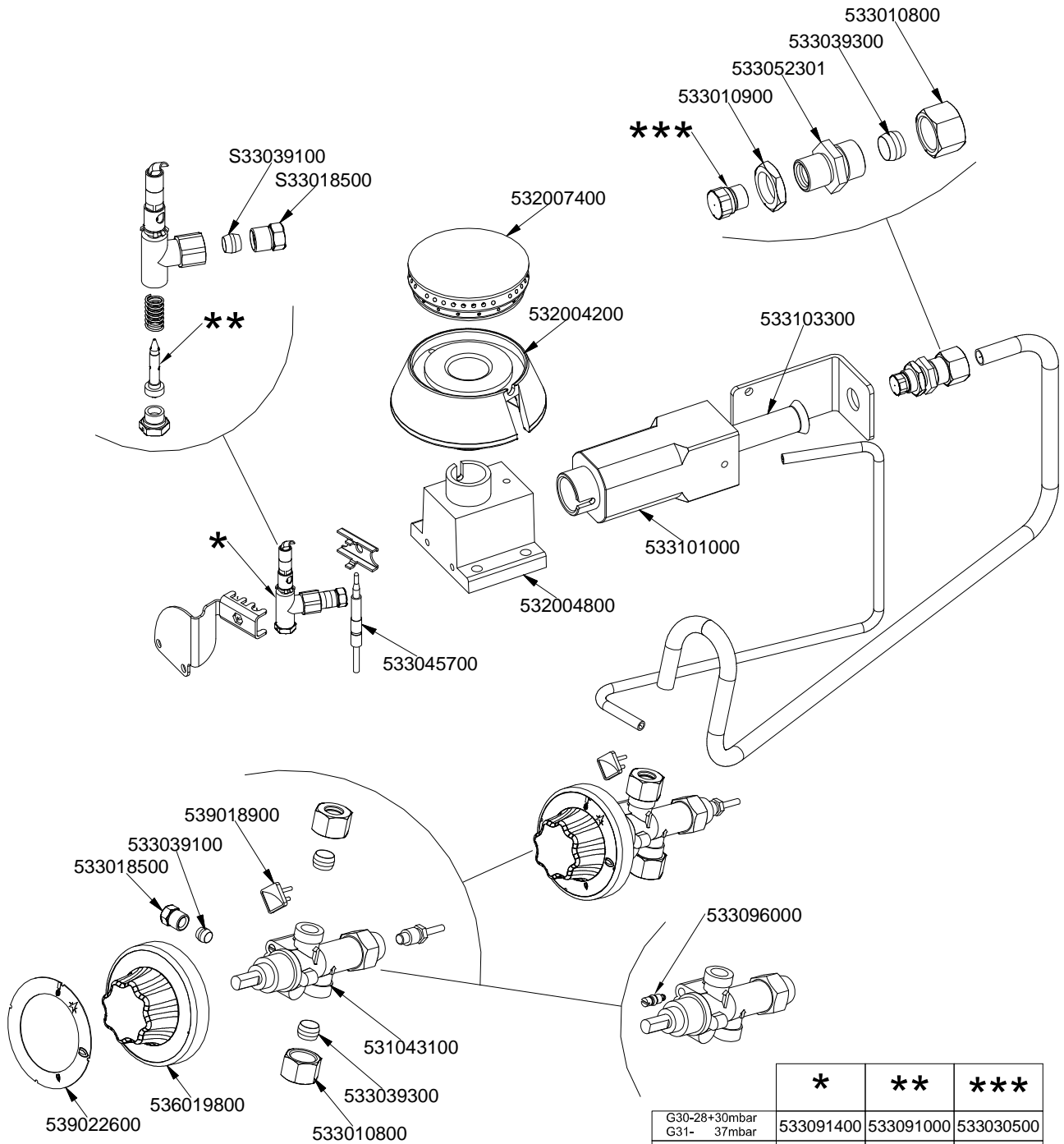
**PC-G R**



	*	**	***
G30-28+30mbar G31- 37mbar	533091400	533091000	533043900
G30- 50mbar	533091400	533091000	533019300
G20- 20mbar G25- 25mbar	533091500	533091200	533031000
G20- 20mbar DE-AT	533091500	533091200	533031000
G25- 20mbar	533091500	533091200	533043500
G25- 25mbar NL	533091500	533091200	533019400

560038600M00P00

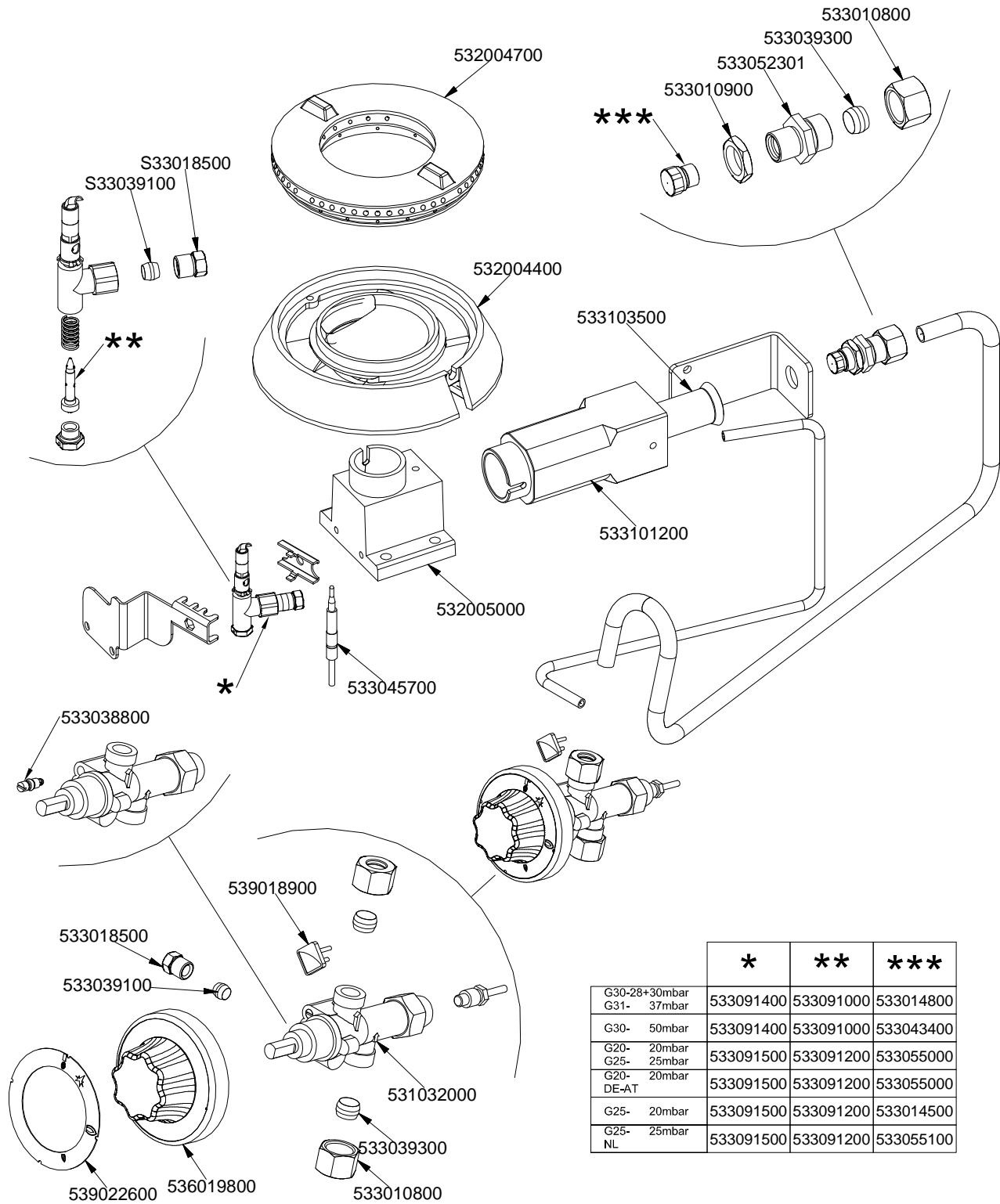
**PC-G SR**



	*	**	***
G30-28+30mbar G31- 37mbar	533091400	533091000	533030500
G30- 50mbar	533091400	533091000	533015100
G20- 20mbar G25- 25mbar	533091500	533091200	533015200
G20- 20mbar DE-AT	533091500	533091200	533015200
G25- 20mbar	533091500	533091200	533030800
G25- 25mbar NL	533091500	533091200	533014900
G20- 25mbar	533091500	533091200	533014800

560038500M00P00

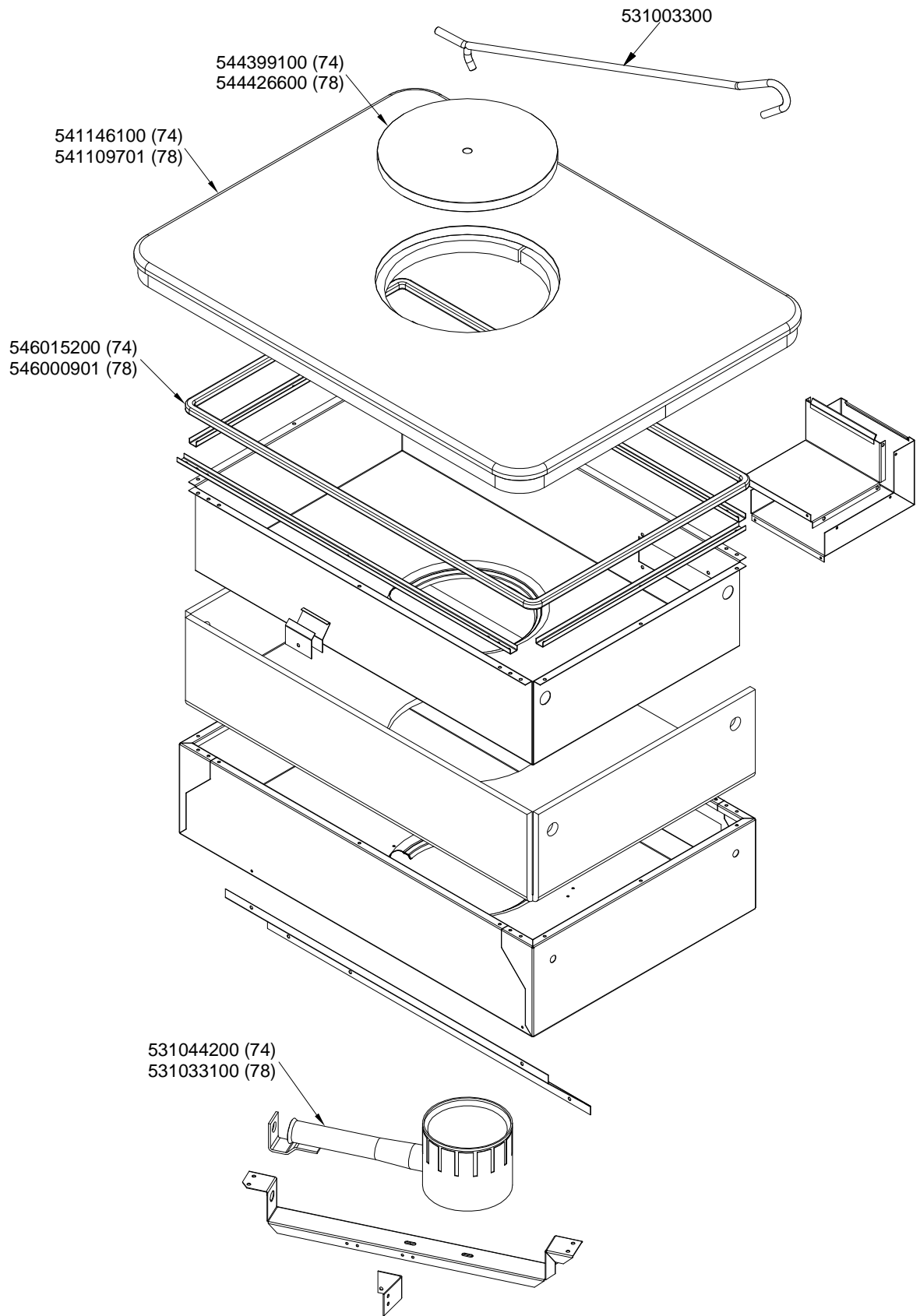
**PC-G UR**



	*	**	***
G30-28+30mbar G31- 37mbar	533091400	533091000	533014800
G30- 50mbar	533091400	533091000	533043400
G20- 20mbar G25- 25mbar	533091500	533091200	533055000
G20- 20mbar DE-AT	533091500	533091200	533055000
G25- 20mbar	533091500	533091200	533014500
G25- 25mbar NL	533091500	533091200	533055100

560038700M00P00.

**TP**



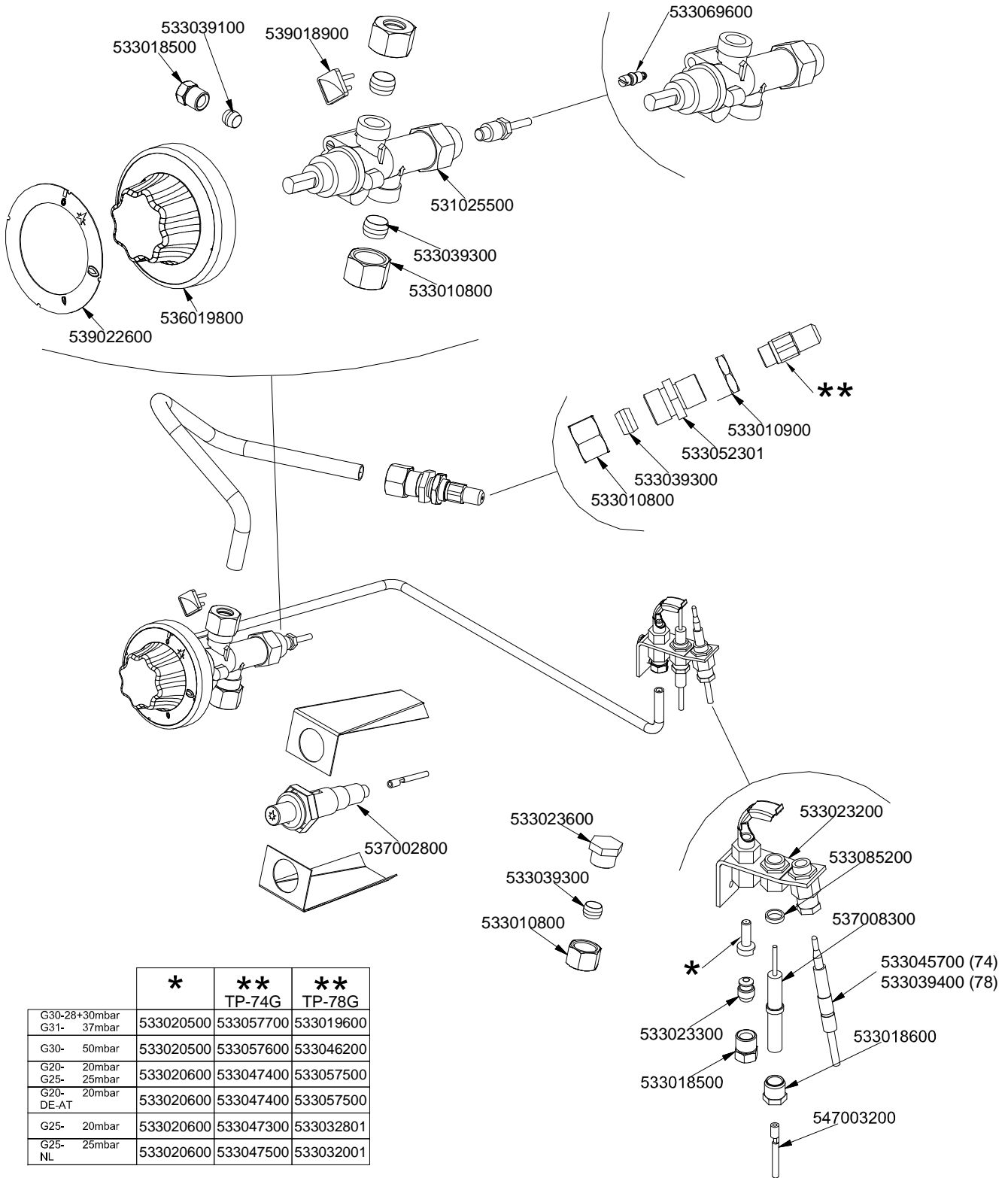
560041400M00P00



# SUPERLOTUS 70≥0602

COMPONENTI COMUNI / STANDARDS PARTS / UEBLICHE TEILE / COMPOSANTS COMMUNS

## TP



	*	**	**
		TP-74G	TP-78G
G30-28+30mbar G31- 37mbar	533020500	533057700	533019600
G30- 50mbar	533020500	533057600	533046200
G20- 20mbar G25- 25mbar	533020600	533047400	533057500
G20- 20mbar DE-AT	533020600	533047400	533057500
G25- 20mbar	533020600	533047300	533032801
G25- 25mbar NL	533020600	533047500	533032001

560035102M00P00

Page	Pos	Code	Description
001		532004100	FLUE GRID L=370 70LINE (RAF)
001		541134900	LOW SPACER 712 1 GRID
001		541135300	LOW SPACER 712 3 GRIDS
001		531047000	2 BURNER GRID FOR PC-700
001		544333900	BURNER CONTAINER 1/1GN R 304
001		544383300	UPPER PLATE PC-712GP CF6-7128GP/GPE
001		544333800	BURNER CONTAINER 1/1GN R 304
001		544173300	LEFT SIDE PANEL RANGE S.70
001		537027400	TERMINAL BLOCK THREEPHASE 40A
001		541147600	CONTROL PANEL TPF4-912GE
001		544173200	RIGHT SIDE PANEL RANGE S.70
001		536005200	INOX LEG 2" 120-180 M10
002		531013100	OVEN DOOR HANDLE OF 70/90-LINE
002		544186900	OVEN DOOR GN 2/1 S.70
002		531022800	LEFT OVEN DOOR HINGE S.70
002		544187100	OVEN INNER DOOR GN 2/1 S.70
002		531022900	HINGE DOOR WHEEL HOLDER S.70
002		531022700	RIGHT OVEN DOOR HINGE 70LINE
002		544187000	OVEN DOOR GN 3/1 S.70
002		541102300	GAS OVEN INNER DOOR GN 3/1 S.70
003		533037600	LOCK SPRING FOR BULB
003		536010900	GAS OVEN GASKET GN 3/1 (1620)
003		531030500	LHD SUPPORT GRID FOR OVEN OF 70LINE
003		544365200	70 ELECTRICAL OVEN BOTTOM GN3/1
003		531030300	OVEN GRID GN 3/1 FOR 70 LINE
003		531030400	RHD SUPPORT GRID FOR OVEN OF 70LINE
004		537012800	SAFETY THERMOSTAT 420°C THREEPHASE
004		539018800	INDEX FOR OVEN KNOB
004		539028000	SELECTOR SIGN PLATE FOR OVEN
004		537034000	
004		536019700	BLACK KNOB §70 PIN §6*5
004		539027900	ADHESIV.GRADUATED DISC FOR SELECTOR
004		539023900	SIGN PLATE FOR OVEN TEMPERATURE
004		537000900	THERMOSTAT 50-320°C THREEPHASE
004		537014200	GREEN WARNING LIGHT 250V
004		539017900	ADHESIVE GRADUATED DISC FOR KNOB
004		537014100	WHITE WARNING LIGHT 250V
004		533023600	TAP PLUG §10 M16*1, 5CH19
004		533039300	BICONE §10
004		533010800	TUBE NUT D.10 M16*1,5
004		537025400	OVEN UPPER HEAT.EL.W700 V230 70LINE
004		537020901	HEATING ELEMENT 1200W 230V OVEN S70
005		533039100	
005		533018500	
005		532004600	BURNER COVER RING R D104
005		532004300	MIDDLE BURNER BODY 70LINE P.
005		533010900	NUT M14*1 H.4
005		533052301	JOINT FOR NOZZLE HOLDER
005		533039300	BICONE §10
005		533010800	TUBE NUT D.10 M16*1,5
005		533045700	THERMOCOUPLE M9*1 500

Page	Pos	Code	Description
005		532004900	ELBOW FITTING OF BURNER VENTURI R
005		533069100	BY PASS COCK §60 20S
005		533101100	BURNER VENTURI R
005		533103400	AIR ADJUSTMENT BUSHING D20 EST.H57
005		539018900	INDEX FOR KNOB
005		533039100	BICONE §6
005		533018500	FITTING FOR BICONE D.6 M10*1
005		531042900	B.PASS §60 SAFETY COCK PC/CF 90
005		536019800	BLACK KNOB §70 PIN §8*6,5
005		539022600	GRADUATED STICKER FOR KNOB
005		533091400	P.NOZZLE S100 UG.§20 PC90 LPG-FLUS
005		533091000	NOZZLE 0.100 §20
005		533043900	NOZZLE §115 CH12*14 F-CW4
005		533019300	NOZZLE §100 G-FQ5 F-CW
005		533091500	PILOT NOZZLE S.100 §30 PC90 NAT.GAS
005		533091200	PILOT NOZZLE 0100 Ø35 PIL.PC
005		533031000	NOZZLE §175 CH12X14
005		533043500	NOZZLE §190 CH12*14 G25 PC4R
005		533019400	NOZZLE §180 CH12*14 L-FQ5
006		533010800	TUBE NUT D.10 M16*1,5
006		533039300	BICONE §10
006		533052301	JOINT FOR NOZZLE HOLDER
006		533010900	NUT M14*1 H.4
006		533039100	
006		533018500	
006		532007400	
006		532004200	SMALL BURNER BODY 70LINE P.
006		533103300	AIR ADJUSTMENT BUSHING D16 EST.H57
006		533101000	BURNER VENTURI SR
006		532004800	ELBOW FITTING OF BURNER VENTURI SR
006		533045700	THERMOCOUPLE M9*1 500
006		533096000	§50 BY-PASS COCK 20S-21S
006		539018900	INDEX FOR KNOB
006		533039100	BICONE §6
006		533018500	FITTING FOR BICONE D.6 M10*1
006		531043100	B.PASS §50 SAFETY COCK PC/CF 70
006		536019800	BLACK KNOB §70 PIN §8*6,5
006		539022600	GRADUATED STICKER FOR KNOB
006		533091400	P.NOZZLE S100 UG.§20 PC90 LPG-FLUS
006		533091000	NOZZLE 0.100 §20
006		533030500	NOZZLE §90 CH12X14 G30/CE
006		533015100	NOZZLE §80 CH12*14 F-FP/CP6
006		533091500	PILOT NOZZLE S.100 §30 PC90 NAT.GAS
006		533091200	PILOT NOZZLE 0100 Ø35 PIL.PC
006		533015200	NOZZLE §145 CH12*14 F-FP/CP6
006		533030800	NOZZLE §155 CH12X14 M-CW
006		533014900	NOZZLE §150 CH12*14 F-FQ5 L-FQ6
006		533014800	NOZZLE §135 CH12*14,0
007		533010800	TUBE NUT D.10 M16*1,5
007		533039300	BICONE §10
007		532004700	BURNER COVER RING UR D128

Page	Pos	Code	Description
007		533010900	NUT M14*1 H.4
007		533052301	JOINT FOR NOZZLE HOLDER
007		533018500	
007		533039100	
007		532004400	BIG BURNER BODY 70LINE P.
007		533103500	AIR ADJUSTMENT BUSHING D22 EST.H57
007		533101200	BURNER VENTURI UR
007		532005000	ELBOW FITTING OF BURNER VENTURI UR
007		533045700	THERMOCOUPLE M9*1 500
007		533038800	75 BY-PASS FOR 21S TAP
007		539018900	INDEX FOR KNOB
007		533018500	FITTING FOR BICONE D.6 M10*1
007		533039100	BICONE §6
007		531032000	GAS COCK P.V.BY-PASS Ø075
007		536019800	BLACK KNOB §70 PIN §8*6,5
007		539022600	GRADUATED STICKER FOR KNOB
007		533091400	P.NOZZLE S100 UG.§20 PC90 LPG-FLUS
007		533091000	NOZZLE 0.100 §20
007		533014800	NOZZLE §135 CH12*14,0
007		533043400	NOZZLE §117 CH12*14 G-PC4 UR
007		533091500	PILOT NOZZLE S.100 §30 PC90 NAT.GAS
007		533091200	PILOT NOZZLE 0100 Ø35 PIL.PC
007		533055000	NOZZLE §205 CH12*14 G25 CW4
007		533014500	NOZZLE §225 CH12*14 OVEN GN 2/1
007		533055100	NOZZLE §215 CH12*14 L-CW4
008		531003300	TP-PLATE LIFTING HOOK
008		544399100	PLATE RING FOR TP-74G TP-94G
008		544426600	PLATE RING FOR TP-98G
008		541146100	PLATE TP-74G
008		541109701	UPPER PLATE TP-78G
008		546015200	SQUARE BRAID 12*12*L=1495
008		546000901	SQUARE BRAID OF INSULATING MATERIAL
008		531044200	CIRCULAR BURNER TP D.066
008		531033100	BURNER TP..-78G
009		533069600	BY PASS COCK §130 20S-21S
009		539018900	INDEX FOR KNOB
009		533039100	BICONE §6
009		533018500	FITTING FOR BICONE D.6 M10*1
009		531025500	GAS COCK 21S P.V.BY-PASS Ø130
009		533039300	BICONE §10
009		533010800	TUBE NUT D.10 M16*1,5
009		536019800	BLACK KNOB §70 PIN §8*6,5
009		539022600	GRADUATED STICKER FOR KNOB
009		533010900	NUT M14*1 H.4
009		533052301	JOINT FOR NOZZLE HOLDER
009		537002800	PIEZOELECTRIC IGNITION M18
009		533023600	TAP PLUG §10 M16*1, 5CH19
009		533023200	"TARGET" PILOT + NIPPLE TC BRAC.90°
009		533085200	
009		537008300	ROUND PLUG §2,4- LONG ELECTRODE
009		533045700	THERMOCOUPLE M9*1 500

Page	Pos	Code	Description
009		533039400	THERMOCOUPLE M9*1*850
009		533023300	BICONE §6 ("TARGET" PILOT)
009		533018600	PLUG FITTING
009		547003200	HIGH-VOLTAGE CABLE TUBE.§2 L=500
009		533020500	NOZZLE 0.140 §19
009		533057700	NOZZLE §130A CH12*30 F-BRF74
009		533019600	NOZZLE §165 CH12*30 MH-FT5 H-FT6
009		533057600	NOZZLE §115A CH12*30 G-BRF74
009		533046200	NOZZLE §150 CH12X30 L-BR TP
009		533020600	NOZZLE 0.140 §27
009		533047400	NOZZLE §195 CH12*30 M-BM8
009		533057500	NOZZLE §260 CH12X30
009		533047300	NOZZLE §215 CH12*30 L-BM8
009		533032801	NOZZLE §280 CH12*30 M-CPM
009		533047500	NOZZLE §205 CH12*30 ML-BM-8G
009		533032001	NOZZLE §270 CH12*30 MH-CPM