

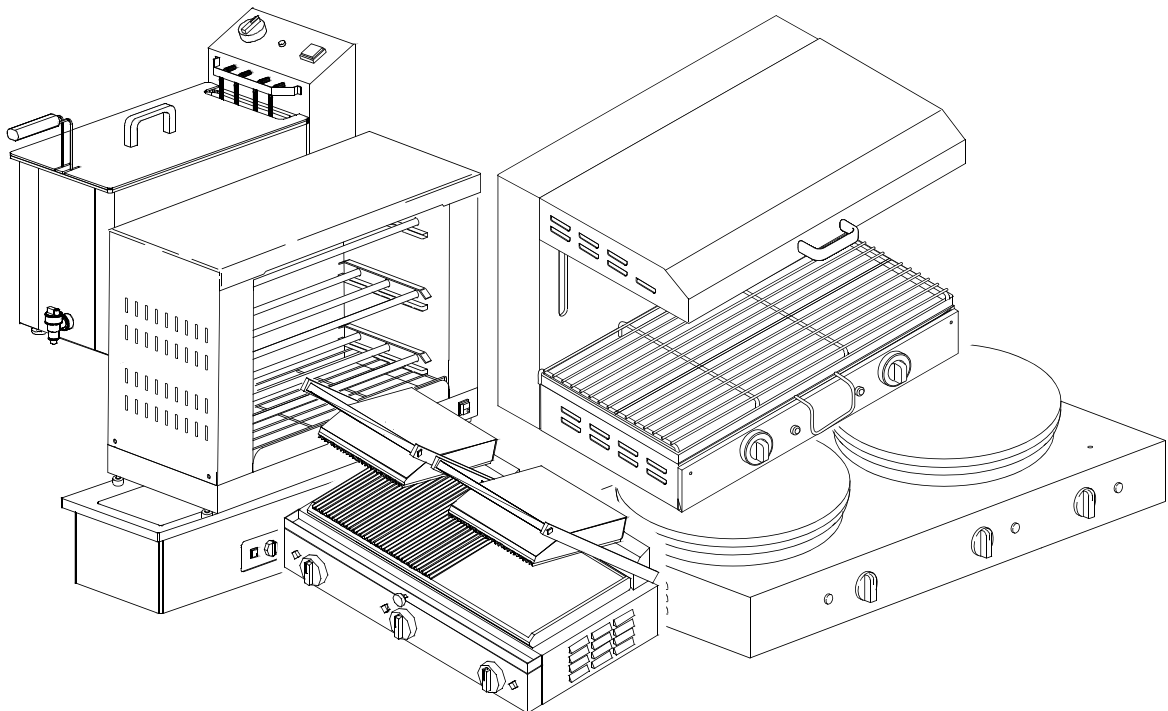
COOKING APPLIANCES

COOKING LINES

TYPE: CT

Accessories
WITHOUT ACCESSORY

Spare parts manual



S/N:

Valid from:..04/2004

Rev.: 4.0

1. Spare parts

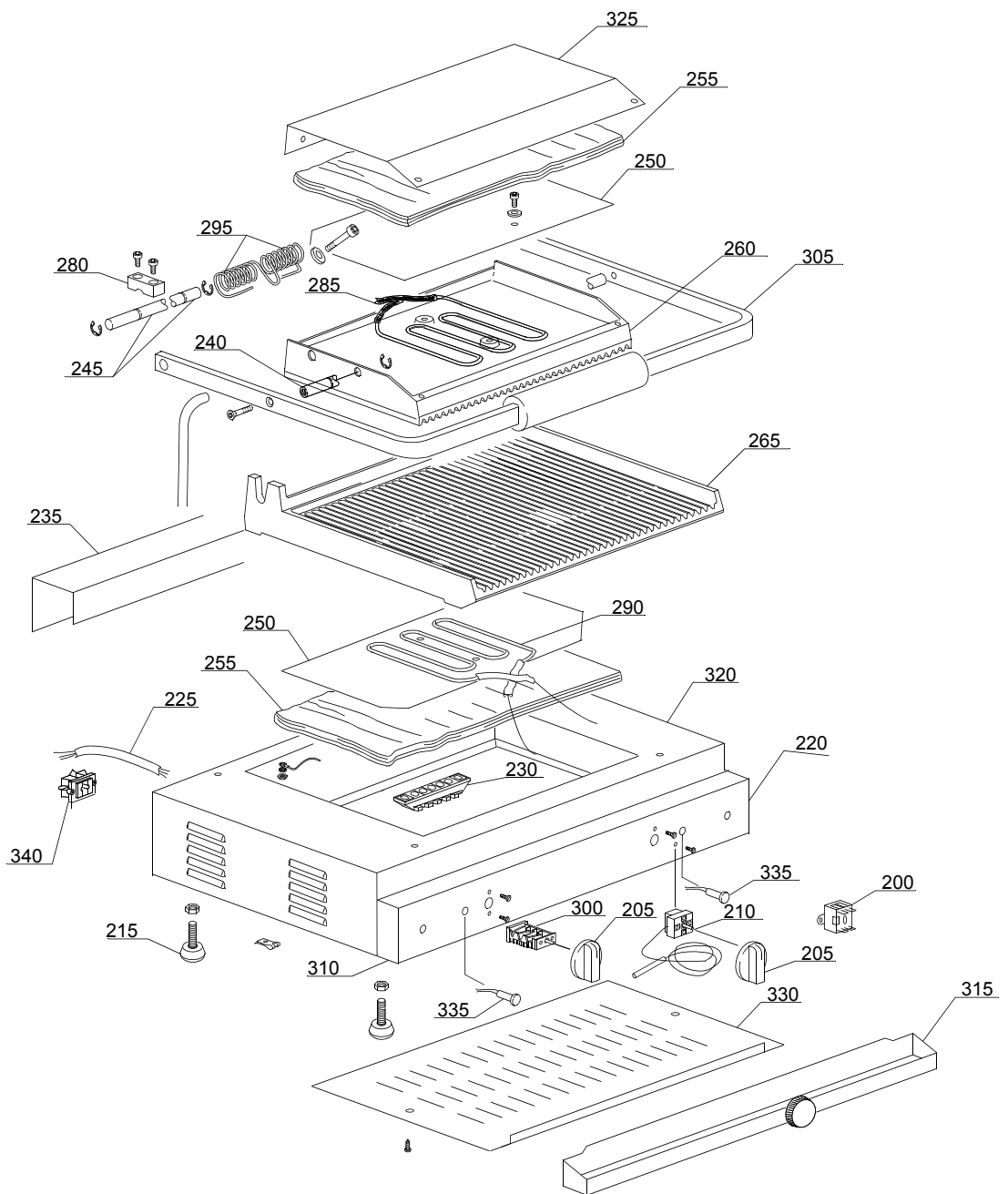
Toaster F6	7
Toaster F60	9
Toaster F60	11
Toaster F12	13
Toaster F120	15
Toaster F120	17
Crepe-X1	19
Crepe-X2	21
Single grill	23
Double grill.....	25
Salamander S1	27
Salamander S2.....	29
Bain Marie BM100-200-300	31
5M-6M/T-8T deep-fryer	33
5+5M-6+6M/T-8+8T deep-fryer	35

1.1 Voltage codes

Voltage code	Voltage
A	3/N/PE~400/230V 50Hz
B	~250V 16A 50Hz
C	3/N/PE~380/220V 50Hz
D	3/PE~200V 50-60Hz
F	2/PE 220-240V 50Hz
G	3/N/PE~415/240V 50Hz
H	3/PE~230V 50Hz
I	3/PE~220V 60Hz
J	3/PE~380 50Hz
K	3/PE~400V 50Hz
L	3/PE~415V 50Hz
M	3/PE~440V 60Hz
N	3/PE~460V 60Hz
O	3/PE~480V 60Hz
P	1/N/PE~220-240V 50Hz
R	2/PE~220-230V 60Hz
S	3/N/PE~400/230V 50Hz
T	3/PE~230V 60Hz

1.2 Product codes

Product code	Full name
Model codes	
Type codes	
50U	50U
50D	50D
50	50
52S	52S
52D	52D
52	52
53S	53S
53D	53D
53	53
54F	54F
54R	54R
54	54
55	55
59	59
CT	CT
BW	BW
Accessory codes	
wa	WITHOUT ACCESSORY



01_002_e

Spare parts

ID	P-code	Model	Type	Accessory	Voltage	Description
MODULE:Single grill						
200	6011		BW,CT,53,53S			Safety thermostat
205	8029		BW,CT,53,53S			Timer knob
210	9010		BW,CT,53,53S			Plate thermostat
215	9024		BW,CT,53,53S			Plate small foot
220	9501		BW,CT,53,53S			Plate panel
225	9540		BW,CT,53,53S			Power supply cable
230	500551		BW,CT,53,53S			6 poles terminal board
235	9542		BW,CT,53,53S			Back protection
240	9546		BW,CT,53,53S			Single plate balance pin
245	9547		BW,CT,53,53S			Single plate lifting pin
250	9548		BW,CT,53,53S			Single plate protection
255	9549		BW,CT,53,53S			Single plate insulating panel
260	9550		BW,CT,53,53S			Lined top cast iron single plate
260	9552		BW,CT,53,53S			Smooth top cast iron single plate
265	9551		BW,CT,53,53S			Lined lower cast iron single plate
265	9553		BW,CT,53,53S			Smooth lower cast iron single plate
280	9560		BW,CT,53,53S			Brass clutch
285	9561		BW,CT,53,53S			1000W top heating element
290	9562		BW,CT,53,53S			1200W lower heating element
295	9563		BW,CT,53,53S			Cover tension spring
300	9564		BW,CT,53,53S			Plate switch
305	9565		BW,CT,53,53S			Single plate handle
310	9602		BW,CT,53,53S			Single plate frontal electric components holder
315	9603		BW,CT,53,53S			Single plate gathering tray
320	9604		BW,CT,53,53S			Back cover
325	9605		BW,CT,53,53S			Top cover
330	9606		BW,CT,53,53S			Bottom protection
335	10711/B		BW,CT,53,53S			Pilot light
340	15065/A		BW,CT,53,53S			Cable-fastener with screw