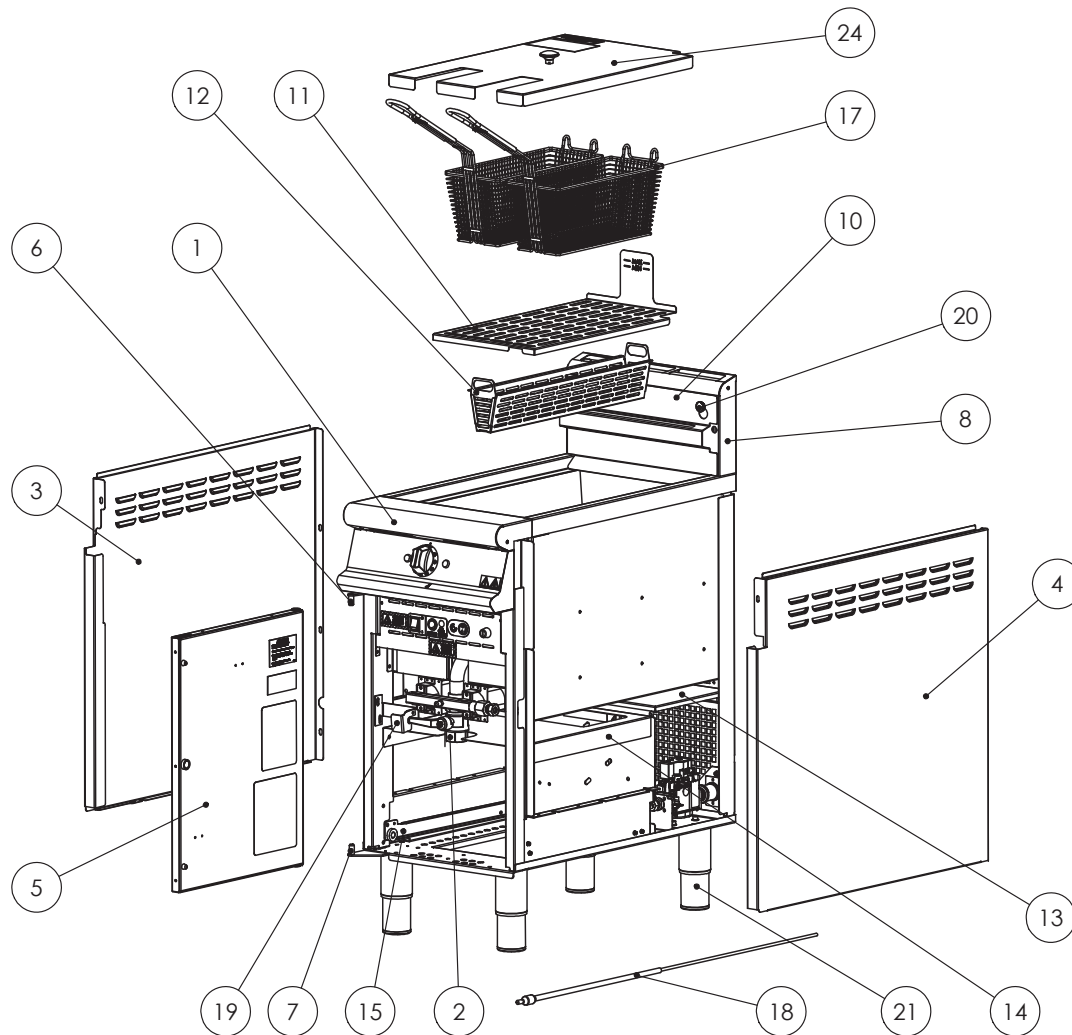


DOMINATOR PLUS

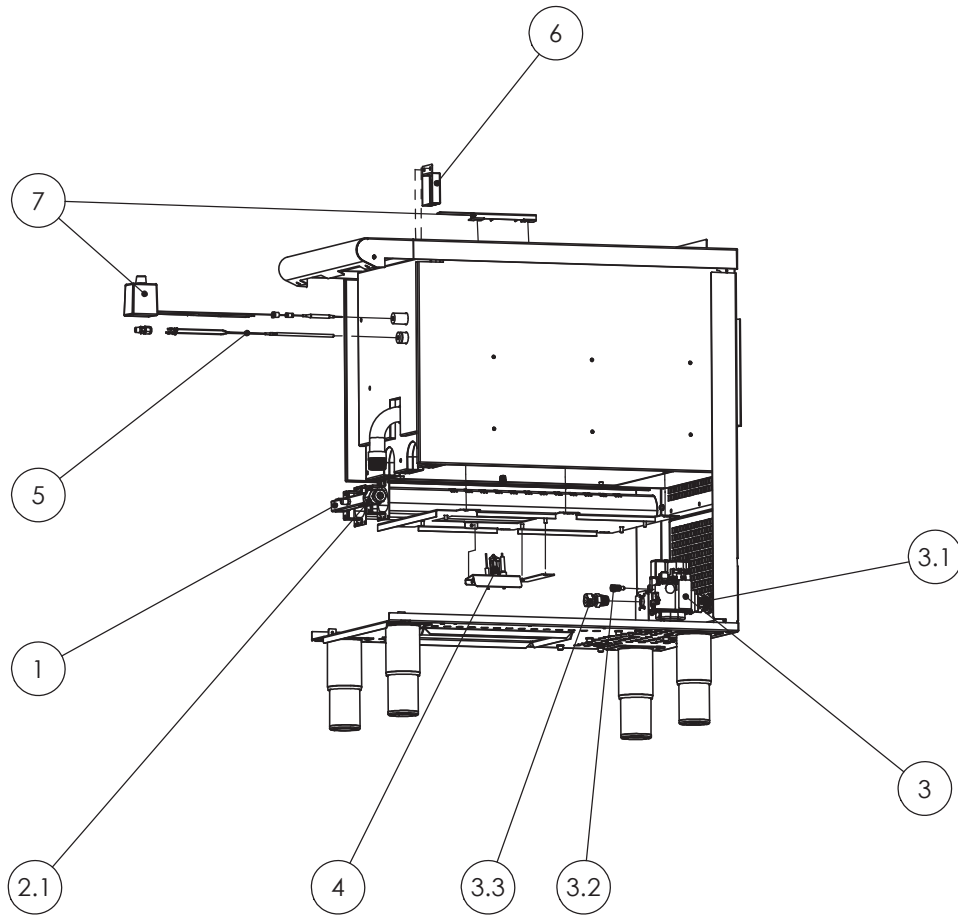


ITEM	DESCRIPTION	SPARES No
1	HOB AND PAN ASSEMBLY C/W COMBUSTION CHAMBER	535600000
2	DRAIN VALVE C/W COMPRESSION FITTING	536300006
3	LH OUTER SIDE	535600001
4	RH OUTER SIDE	535600002
5	DOOR ASSEMBLY	535600003
6	TOP DOOR HINGE	731390005
7	BOTTOM DOOR HINGE	731390006
8	FLUE ASSEMBLY	535600004
9	FLUE ASSEMBLY (NON FILTRATION)	535600005
10	BASKET HANGING RAIL	535600006
11	FISH PLATE	535600007
12	CRUMB CATCHER	535600008
13	PUMP COVER	535600009
14	BUCKET COVER	535600010
15	LH BUCKET RUNNER	731350009
16	RH BUCKET RUNNER (NOT SHOWN)	731350010
17	CHIP BASKET	536430126
18	DRAIN CLEANING TOOL	536300017
19	DRAIN HANDLE BRACKET KIT	535600011
20	HANGING RAIL SCREW SET	535770100
21	ADJUSTABLE FEET (x2)	731350013
22	CASTOR FIXED (NOT SHOWN)	731350014
23	CASTOR BRAKED (NOT SHOWN)	535400222
24	DUST COVER	535600012



Issue	Alteration	Date	Product	Document Reference
A	Initial Issue	19/11/12	G3840	AD49784A

DOMINATOR PLUS

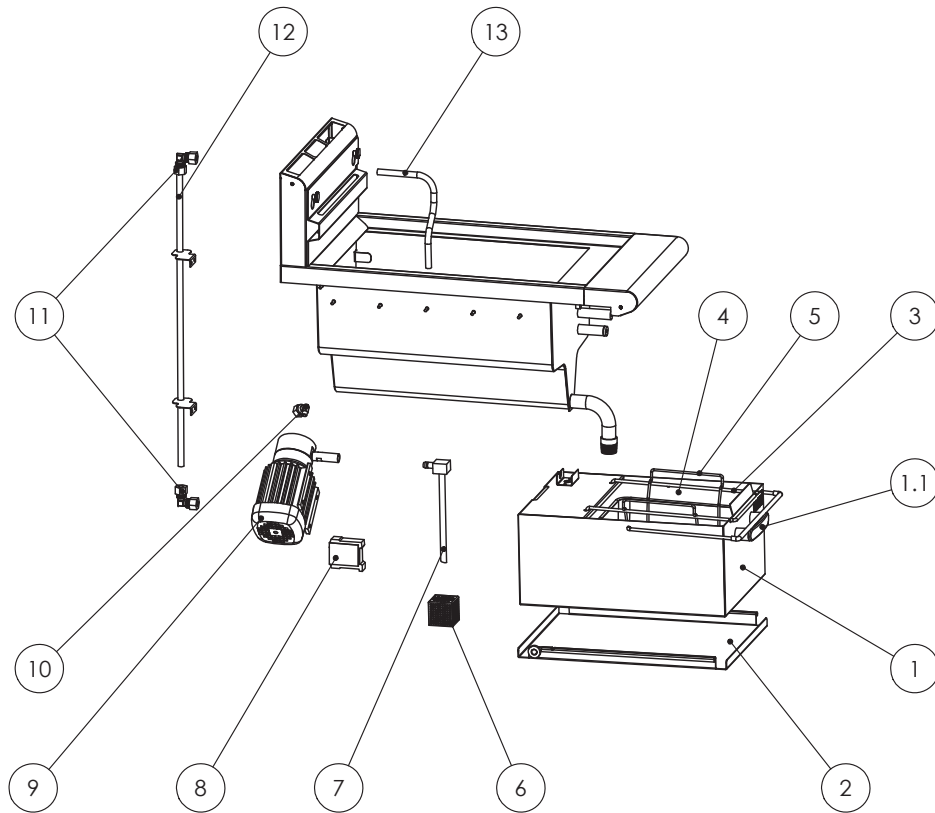


ITEM	DESCRIPTION	SPARES No	QTY
1	BURNER ASSEMBLY	536300025	
1.1	INJECTOR (NAT GAS)(NOT SHOWN)	536300026	2
1.2	INJECTOR (PROPANE) (NOT SHOWN)	536300027	2
2	FLEXI PIPE C/W FITTINGS(NOT SHOWN)	536300028	
2.1	COUPLING 1/2" BSPT FEMALE	536300029	
3	CONTROL VALVE SUB ASSEMBLY	536300030	
3.1	3/4" TO 1/2" REDUCER	536300031	
3.2	COUPLING M10 X 4mm	536300032	
3.3	COUPLING 1/2" BSPT TO 12mm	531610050	
4	PILOT ASSEMBLY C/W LEADS & PIPES (NG & LP)	536300048	
5	OPERATING STAT PROBE ASSEMBLY	536300034	
6	OPERATING STAT PROBE COVER	536300035	
7	SAFETY STAT ASSEMBLY	536300036	



Issue	Alteration	Date	Product	Document Reference
A	Initial Issue	19/11/12	G3840	AD49786A

DOMINATOR PLUS



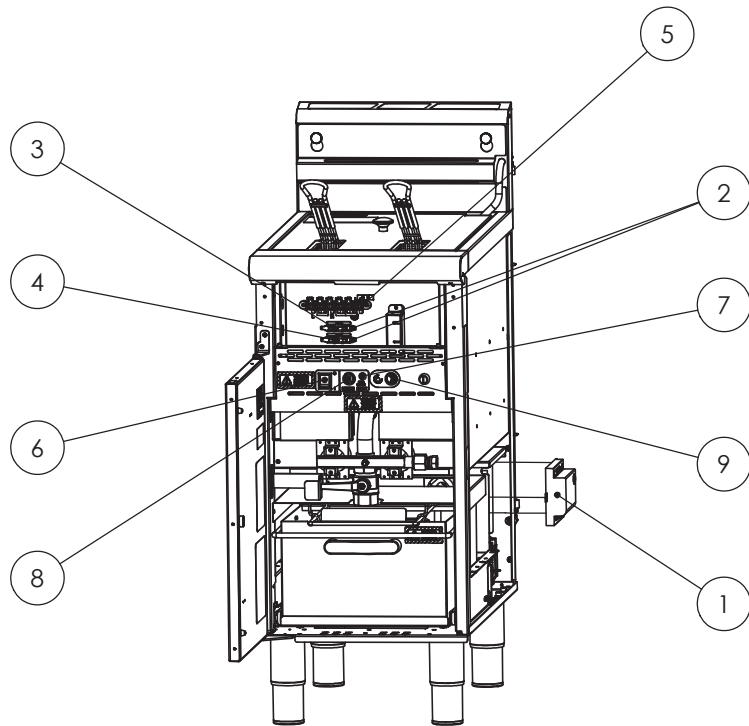
ITEM	DESCRIPTION	SPARES No
1	OIL CONTAINER ASSEMBLY	536300037
1.1	OIL CONTAINER FRONT HANDLE	731350030
2	OIL CONTAINER CARRIER	535770028
3	FINE MESH FILTER	737101159
4	FINE MESH FILTER WIRE SUPPORT	737101143
5	BASKET FILTER	731350031
6	SUCTION PIPE FILTER	731350032
7	PICK UP PIPE	536300053
8	TIMER	735770010
9	OIL PUMP C/W NOZZLE	536300054
10	PUMP ELBOW	536300055
11	OIL RETURN ELBOW	536300040
12	REAR FILTRATION PIPE	536300041
13	FILTRATION PIPE	536300042



Issue	Alteration	Date	Product	Document Reference
A	Initial Issue	19/11/12	G3840F	AD49785A

DOMINATOR PLUS

ITEM	DESCRIPTION	UNIT	SPARES No
1	IGNITION BOX		536300024
2	FUSE HOLDER		734310510
3	2 AMP ANTI SURGE FUSE		731050002
4	5 AMP ANTI SURGE FUSE	FILTER MODELS ONLY	536430009
5	MAINS TERMINAL BLOCK		731000006
6	ROCKER SWITCH		732950006
7	AMBER NEON		531750480
8	MOMENTARY SWITCH		535770068
9	PUMP SWITCH	FILTER MODELS ONLY	536430029
10	CONTROL PANEL WIRING LOOM (NOT SHOWN)		731350028
11	MAINS CABLE (NOT SHOWN)		536300019
12	BASE LOOM WIRING HARNESS (NOT SHOWN)	FILTER MODELS ONLY	535600015
13	BASE LOOM WIRING HARNESS (NOT SHOWN)	NON FILTER MODELS	536300021
14	BURNER EARTH (NOT SHOWN)		536300022



Issue	Alteration	Date	Product	Document Reference
A	Initial Issue	19/11/12	G3840	AD49787A