



Kühlung Kühl-Huckepackaggregat

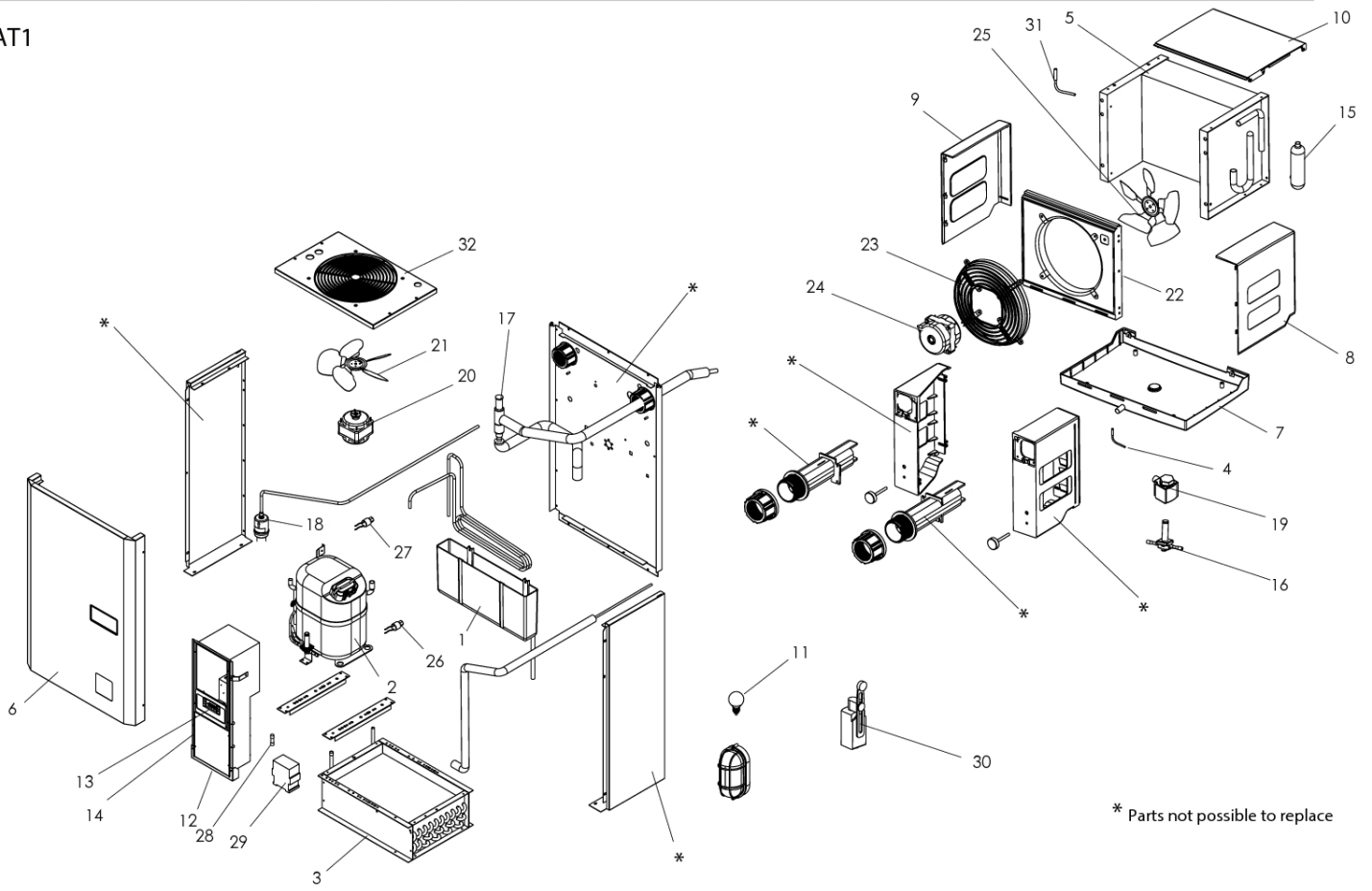
Artikel-Nr.
665016 (ATN1075)

Explosionszeichnung / Ersatzteile

Bitte bei Ersatzteilbestellung immer Artikelnummer und
Seriennummer mit angeben!



AT1



* Parts not possible to replace

ATN1075A2202_A

| Pos. | Code | Description | Qta | UM | Note |
|------|-------------|-------------------------|-----|----|------|
| 1 | (3CMVP011 | CONDENSATE TRAY | 1 | | |
| 2 | 3CMP2138 | COMPRESSOR | 1 | | |
| 3 | 3CND448 | CONDENSER | 1 | | |
| 4 | 3RST196 | DRAIN HEATER | 1 | | |
| 5 | 3EVP416 | EVAPORATOR | 1 | | |
| 6 | (2VT01852P | FRONTAL PANEL | 1 | | |
| 7 | (3CMVP01508 | EVAPORATOR DRAIN TRAY | 1 | | |
| 8 | (3CMVP12503 | EVAPORATOR LEFT SIDE | 1 | | |
| 9 | (3CMVP12504 | EVAPORATOR RIGHT SIDE | 1 | | |
| 10 | (3CMVP12508 | EVAPORATOR REAR COVER | 1 | | |
| 11 | 3LMP047 | LAMP | 1 | | |
| 12 | 3QAT0AAA14 | ELECTRIC PANEL | 1 | | |
| 13 | 3CTL199 | CONTROL PANEL | 1 | | |
| 14 | 3PNP077 | CONTROL PANEL FOIL | 1 | | |
| 15 | (4ACLC001 | LIQUID SEPARATOR | 1 | | |
| 16 | 3VLS001 | SOLENOID VALVE | 1 | | |
| 18 | 3FLT200 | FILTER | 1 | | |
| 19 | 3CVS001 | SOLENOID COIL | 1 | | |
| 20 | 3MVN027 | FAN MOTOR | 1 | | |
| 21 | 3VNT053 | EVAPORATOR FAN BLADE | 1 | | |
| 22 | (3CMVP12507 | FAN MOTOR SUPPORT PANEL | 1 | | |
| 23 | (3CMVP12523 | FAN GRILLE | 1 | | |
| 24 | 3MVN028 | FAN MOTOR | 1 | | |
| 25 | 3VNT054 | EVAPORATOR FAN BLADE | 1 | | |
| 26 | 3PRS027 | HIGH PRESSURE SWITCH | 1 | | |
| 27 | 3PRS044 | LOW PRESSURE SWITCH | 1 | | |
| 28 | 3FSB017 | FUSE | 1 | | |

ATN1075A2202_A

| Pos. | Code | Description | Qta | UM | Note |
|------|-------------|-------------------------|-----|----|------|
| 30 | 3MCT014 | DOOR MICROSWITCH | 1 | | |
| 31 | 3SNS085 | TEMPERATURE PROBE | 2 | | |
| 32 | (3CMVP01001 | FAN MOTOR SUPPORT PANEL | 1 | | |