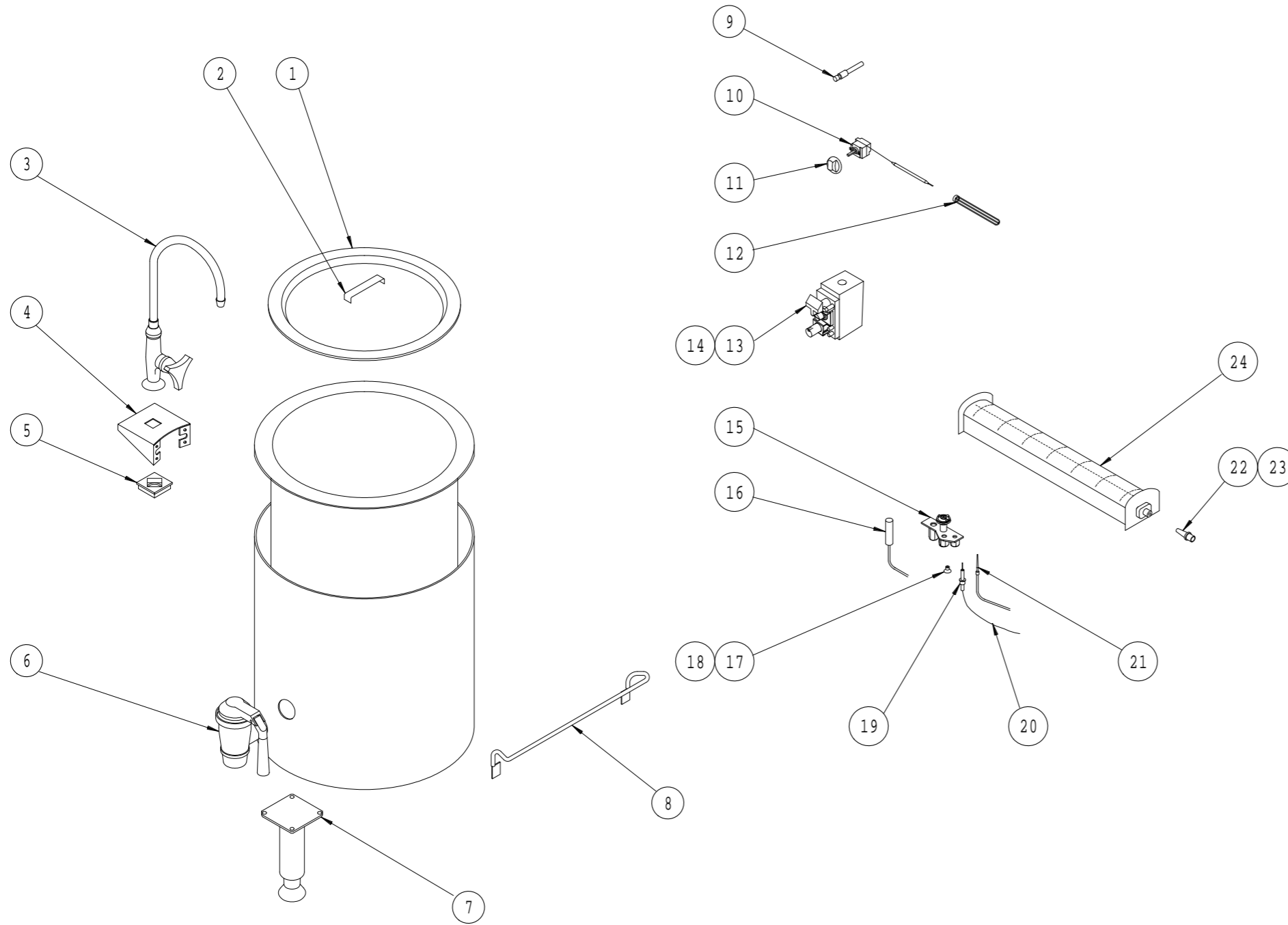
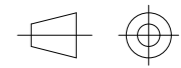


IF IN DOUBT ASK!!

DO NOT SCALE !!
First Angle Projection



Item	Spares No	Description
1	530750002	Lid c/w Handle
2	530730006	Handle Assembly
3	530730021	Swivel Tap Assembly
4	530730005	Swivel Tap Bracket
5	530730022	Swivel Lock Washer
6	530730024	Draw Off Cock
7	530730025	Adjustable Leg
8	530750007	Lid Holder
9	530760013	Spark Generator
10	530760002	Thermostat
11	530760006	Thermostat Knob
12	530760005	Phial Guard
13	530760000	Gas Control Valve (Nat Gas)
14	530760001	Gas Control Valve (Propane)
15	530760007	Pilot Burner
16	530760003	Thermopile
17	530760008	Pilot Injector (Nat Gas)
18	530760009	Pilot Injector (Propane)
19	530760010	Ignition Electrode
20	530760014	Ignition Electrode Wire
21	530800090	Thermocouple
22	530750004	Burner Injector (Nat Gas)
23	530750005	Burner Injector (Propane)
24	530760004	Burner Assembly

All Dimensions in millimetres, Tolerance- Linear ±0.5mm Angular ±0.5° (or as stated)

Issue	Mod No.	Alteration	Zone	Drawn by	Date



Drawn	I. HAMILTON	Product	G2078TC - 135 BOILING PAN	
Date	06-06-05	Title	SPARES DIAGRAM	
Scale				
Matl.		Drawing Number	AF44001	Issue
No. off		Finish		
Bin No.		Kraus No.		

This part is common to the following units

© No reproduction or publication of this drawing may be made and no article may be manufactured or assembled in accordance with this drawing without prior written consent. This prohibition is a term of any contract relating to this drawing. Rights reserved under the Copyright Act 1956 as amended by the Design Copyright Act 1968.

UNCONTROLLED