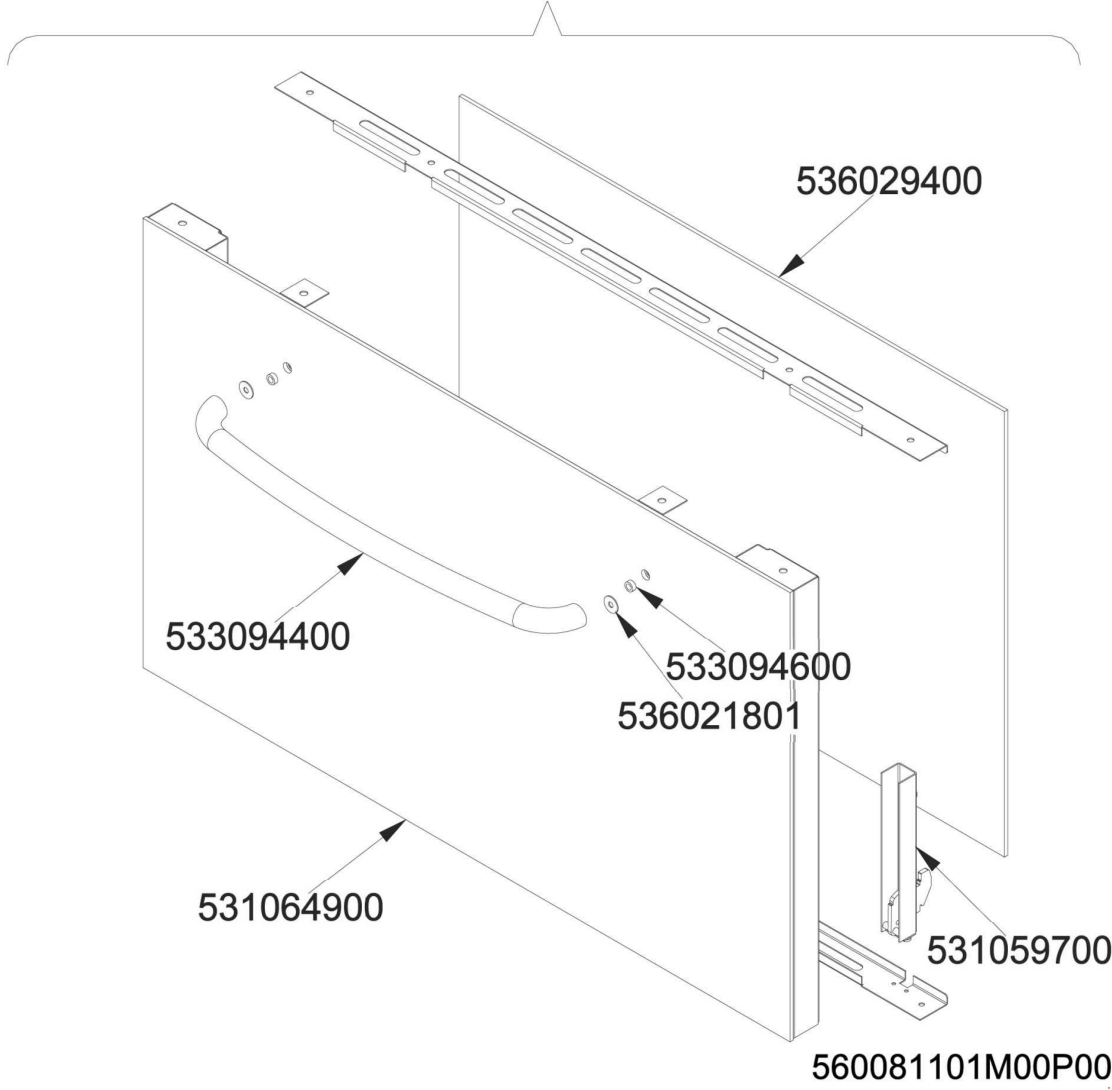
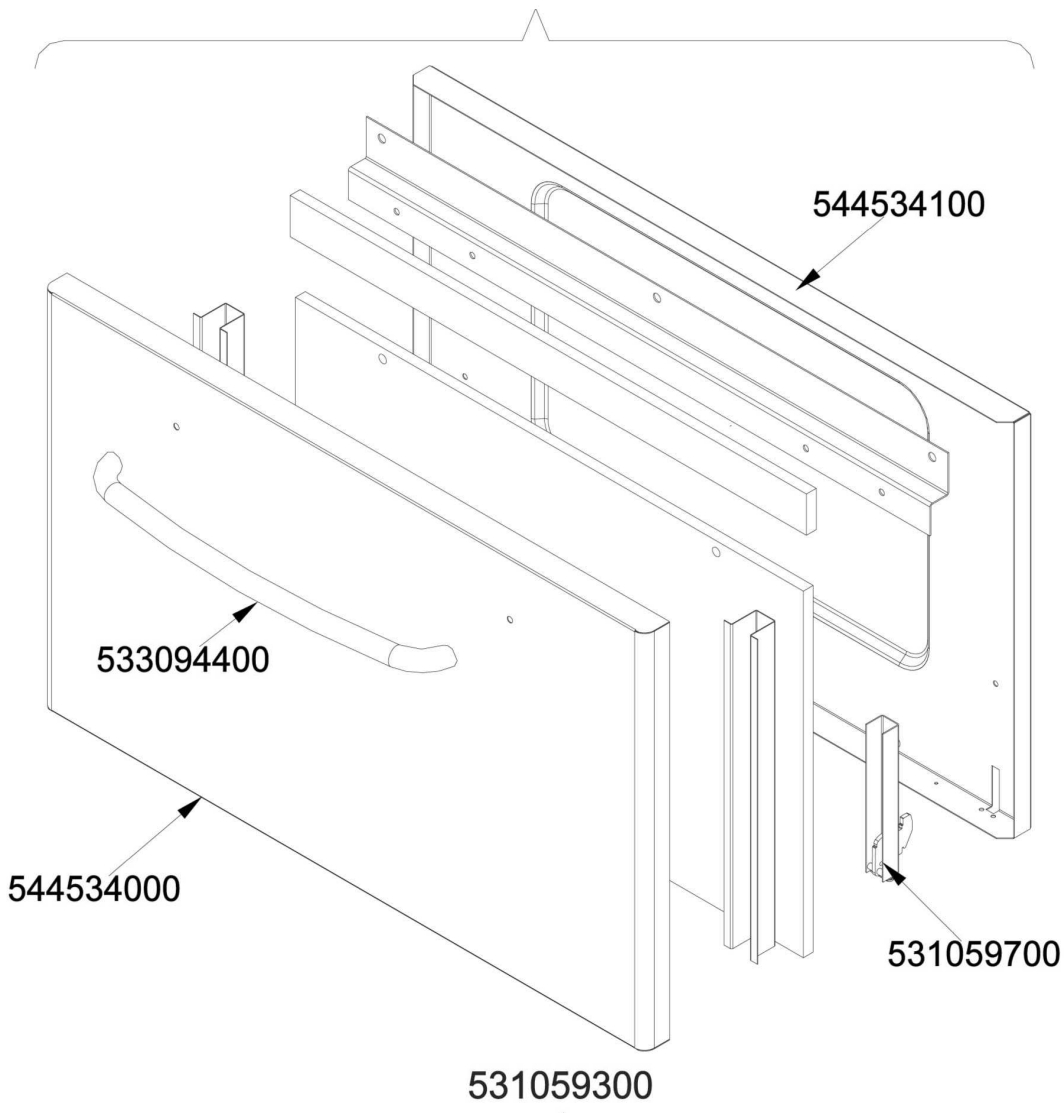
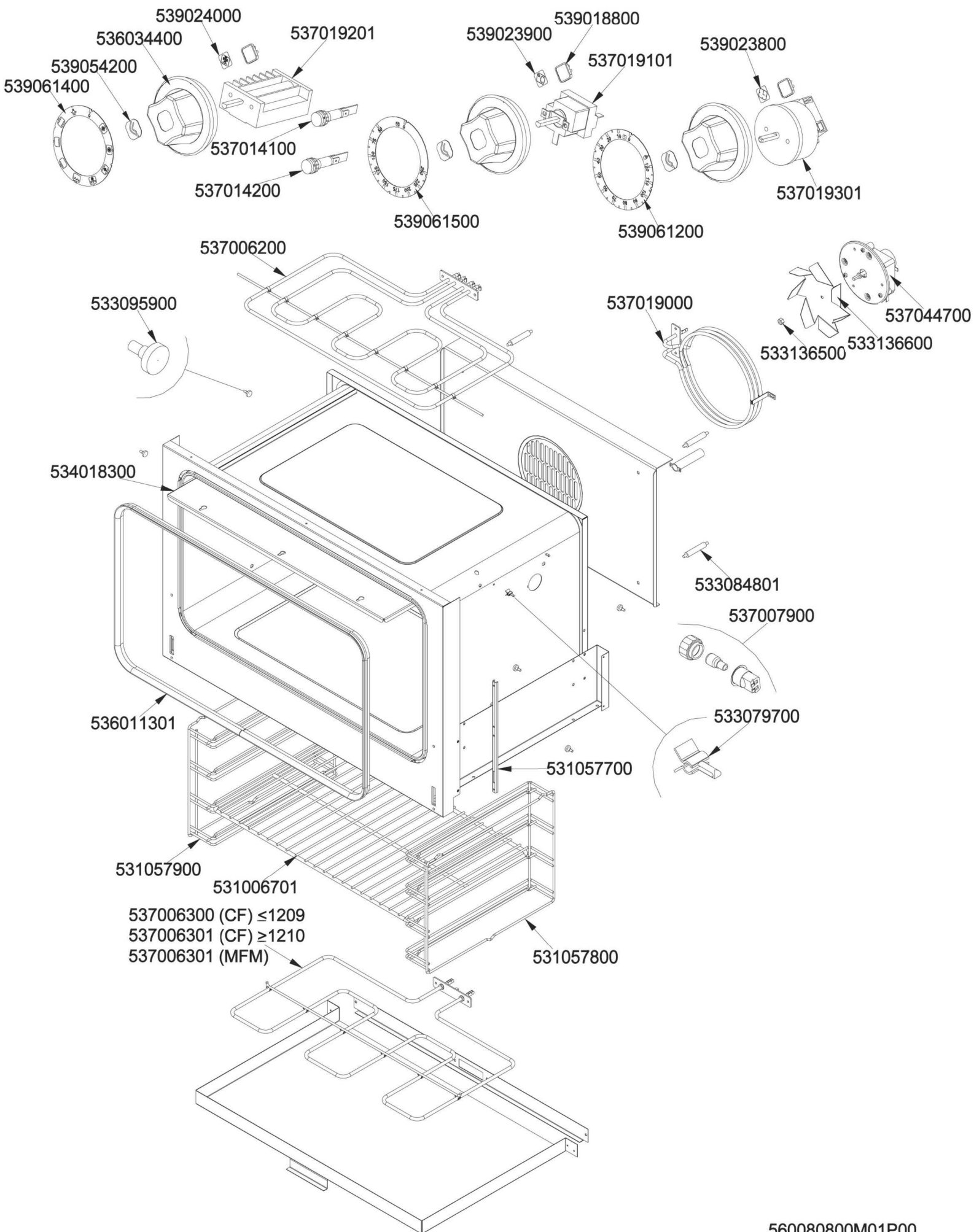
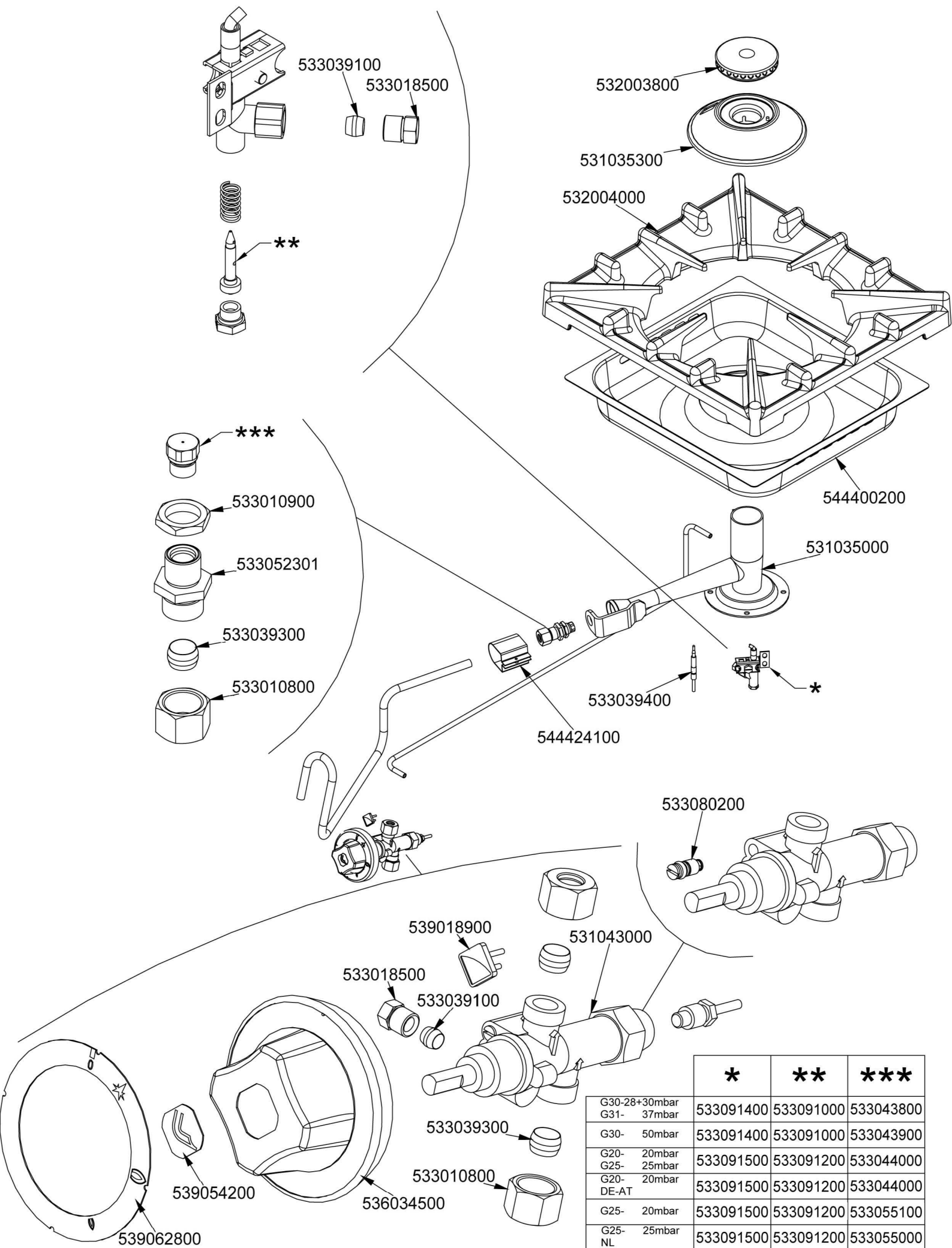


531059201







	*	**	***
G30-28+30mbar G31- 37mbar	533091400	533091000	533043800
G30- 50mbar	533091400	533091000	533043900
G20- 20mbar G25- 25mbar	533091500	533091200	533044000
G20- 20mbar DE-AT	533091500	533091200	533044000
G25- 20mbar	533091500	533091200	533055100
G25- 25mbar NL	533091500	533091200	533055000

Page	Pos	Code	Description
001		541199200	UPPER PLATE FOR 60T CF 2-6 8 GE
001		533009200	REDUCTION GRATE FOR 65-70LINES+FO
001		544540300	
001		537036500	TERMINAL BLOCK 4POLES 40A SCREW-SCR
001		541195300	CONTROL PANEL 607090 CFM2-68GE
001		531048400	INOX LEG Ø1"3/4 100-165 M10
001		544540200	
002		531059201	COMPLETE S/S DOOR FOR MAXI 600 OVEN
002		544534100	INNER DOOR OF MAXI OVEN OF 60T-LINE
002		533094400	S/S OVEN DOOR HANDLE FOR 60T-LINE
002		544534000	S/S DOOR FOR MAXI OVEN OF 60T LINE
002		531059700	DOOR HINGE FOR MAXI OVEN 60.LINE
002		531059300	OVEN DOOR * S60T 68 GLASS C.
002		536029400	INTERNAL GLASS OVEN DOOR MAXI
002		533094600	BUSH P.F. 60-LINE
002		536021801	DOOR HANDLE SPACER FOR MAXI OVEN
002		531064900	EXTERNAL GLASS MAXI OVEN DOOR+FRAME
003		539061400	ADESIVE DISK FOR SWITCH OVEN S60
003		539054200	STAMP Ø20,5 CR. "L" LOTUS R.
003		536034400	KNOB §77 4P. §06*4,6 C/M
003		539024000	SIGN PLATE FOR OVEN SELECTOR
003		537019201	OVEN COMMUTATOR MULTIF.60+65
003		539023900	SIGN PLATE FOR OVEN TEMPERATURE
003		539018800	BLANK INDEX FOR KNOB
003		537019101	THERMOSTAT MONOPHAS.050-320°C F.MF
003		539023800	LABEL FOR OVEN TIMER
003		537019301	TIMER ELECT.120' 4 T.F. MF
003		539061200	ADHESIV.DISK FOR TYMER EL. OVEN
003		539061500	ADESIVE DISK OVEN THERMOSTAT S60
003		537014200	GREEN WARNING LIGHT 250V
003		537014100	WHITE WARNING LIGHT 250V
003		533095900	PIN FOR GRIDSHOLDER SUPPORT CF 60
003		537006200	UPPER OVEN HEATING EL.3000W 230V
003		537019000	CIRCULAR HEATING ELEMENT FOR OVEN
003		533136500	NUT FOR FAN S60T
003		533136600	OVEN MOTOR OF S60T
003		537044700	S60/65/60T MOTORFAN
003		534018300	KNOB PROTECTION FOR MAXI CF 60T
003		533084801	PANEL SPACER OF AIR DIFF.MAXI OVEN
003		536011301	GASKET FOR MAXI 60T-OVEN L=1980
003		537007900	OVEN BULB-SOCKET WITH LAMP
003		533079700	LOCK SPRING FOR BULB §3/§4
003		531057700	DOOR WHEEL HOLDER F.MAXI OVEN 60T
003		531057900	LHD GRIDS HOLDER FOR MAXI-OVEN
003		531006701	MAXI OVEN GRID FOR S60/65
003		537006300	LOWER OVEN HEATING EL.W1600 230CF8/
003		537006301	COVERED HEATING ELEMENT MAXI OVEN
003		531057800	RHD GRIDS HOLDER FOR MAXI-OVEN
004		533039100	BICONE §6
004		533018500	FITTING FOR BICONE D.6 M10*1
004		532003900	BURNER COVER RING §100

Page	Pos	Code	Description
004		531035400	BIG BURNER BODY 90 LINE
004		532004000	1 FLAME GRILL 396X366 (90
004		533010900	NUT M14*1 H.4
004		533039400	THERMOCOUPLE M9*1*850
004		544400300	BURNER DRIP PAN 2/3
004		533052301	JOINT FOR NOZZLE HOLDER
004		531035100	BIG BURNER VENTURI 90 LINE
004		533039300	BICONE §10
004		533010800	TUBE NUT D.10 M16*1,5
004		544424100	AIR ADJUSTMENT BUSHING*BURNER PC90
004		533038800	75 BY-PASS FOR 21S TAP
004		531032000	GAS COCK P.V.BY-PASS Ø075
004		539018900	INDEX FOR KNOB W/RED SIGN
004		536034500	KNOB §77 4P. §08*6,5
004		539054200	STAMP Ø20,5 CR."L" LOTUS R.
004		539062800	RED STICKING DISK 72
004		533091400	P.NOZZLE S100 UG.§20 PC90 LPG-FLUS
004		533091500	PILOT NOZZLE S.100 §30 PC90 NAT.GAS
004		533091000	NOZZLE 0.100 §20
004		533091200	PILOT NOZZLE 0100 Ø35 PIL.PC
004		533030800	NOZZLE §155 CH12X14 M-CW
004		533014800	NOZZLE §135 CH12*14,0
004		533056200	NOZZLE §230 CH12*14
004		533015000	NOZZLE D.I 260 G110 (TOWN GAS
004		533055400	NOZZLE §245 CH12*14
005		533039100	BICONE §6
005		533018500	FITTING FOR BICONE D.6 M10*1
005		532003800	BURNER COVER RING §082
005		531035300	MEDIUM BURNER BODY 90 LINE
005		532004000	1 FLAME GRILL 396X366 (90
005		544400200	BURNER DRIP PAN 2/3
005		533010900	NUT M14*1 H.4
005		531035000	MEDIUM BURNER VENTURI 90 LINE
005		533052301	JOINT FOR NOZZLE HOLDER
005		533039300	BICONE §10
005		533010800	TUBE NUT D.10 M16*1,5
005		533039400	THERMOCOUPLE M9*1*850
005		544424100	AIR ADJUSTMENT BUSHING*BURNER PC90
005		533080200	BY PASS COCK §65 20S-21S
005		539018900	INDEX FOR KNOB W/RED SIGN
005		531043000	GAS COCK 21S P.V. BY-PASS §065
005		539054200	STAMP Ø20,5 CR."L" LOTUS R.
005		536034500	KNOB §77 4P. §08*6,5
005		539062800	RED STICKING DISK 72
005		533091400	P.NOZZLE S100 UG.§20 PC90 LPG-FLUS
005		533091500	PILOT NOZZLE S.100 §30 PC90 NAT.GAS
005		533091000	NOZZLE 0.100 §20
005		533091200	PILOT NOZZLE 0100 Ø35 PIL.PC
005		533043800	NOZZLE §130 CH12*14 G-CW4
005		533043900	NOZZLE §115 CH12*14 F-CW4
005		533044000	NOZZLE §195 CH12*14 M-CW4

Page	Pos	Code	Description
005		533055100	NOZZLE §215 CH12*14 L-CW4
005		533055000	NOZZLE §205 CH12*14 G25 CW4