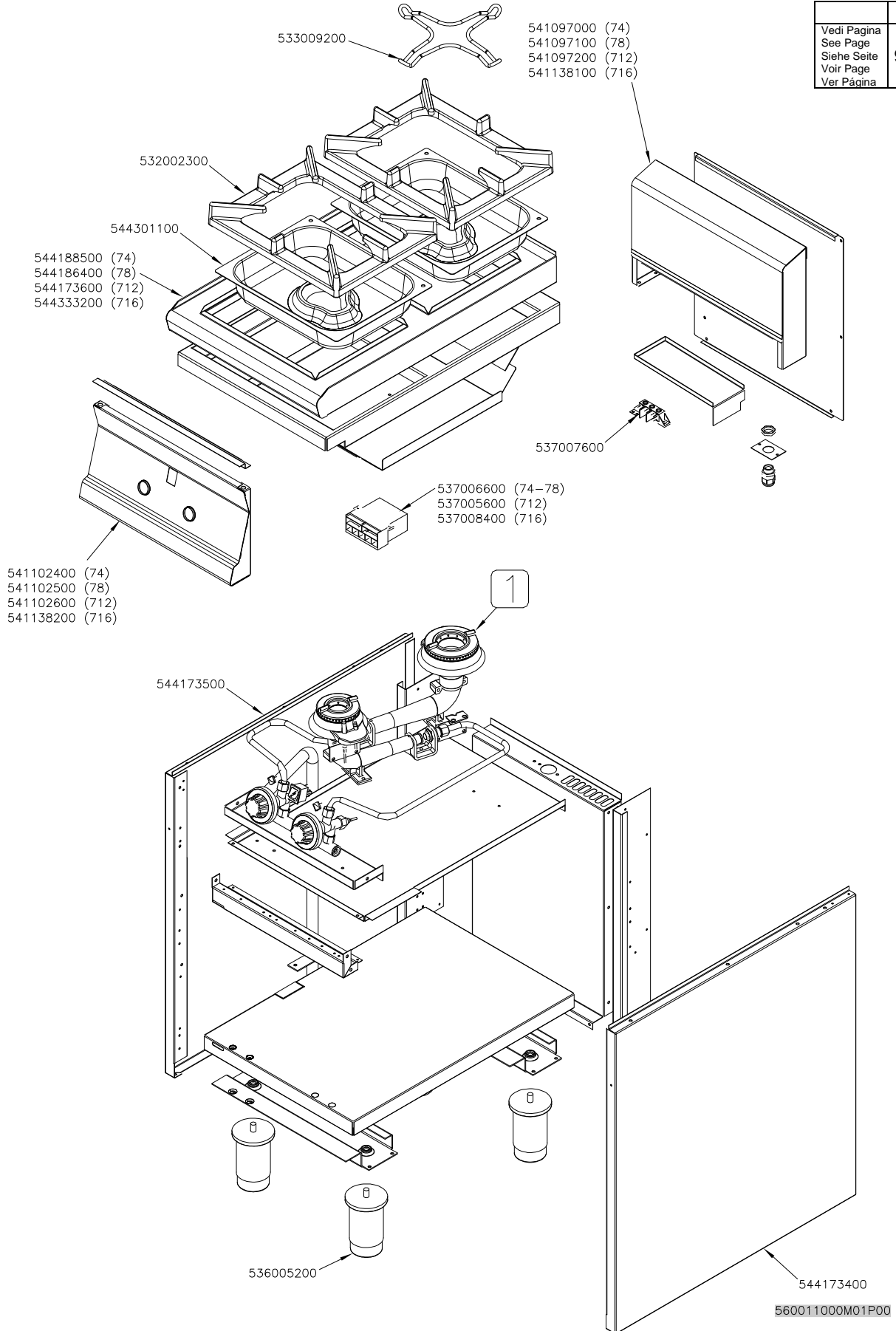


SUPERLOTUS 70≤0601

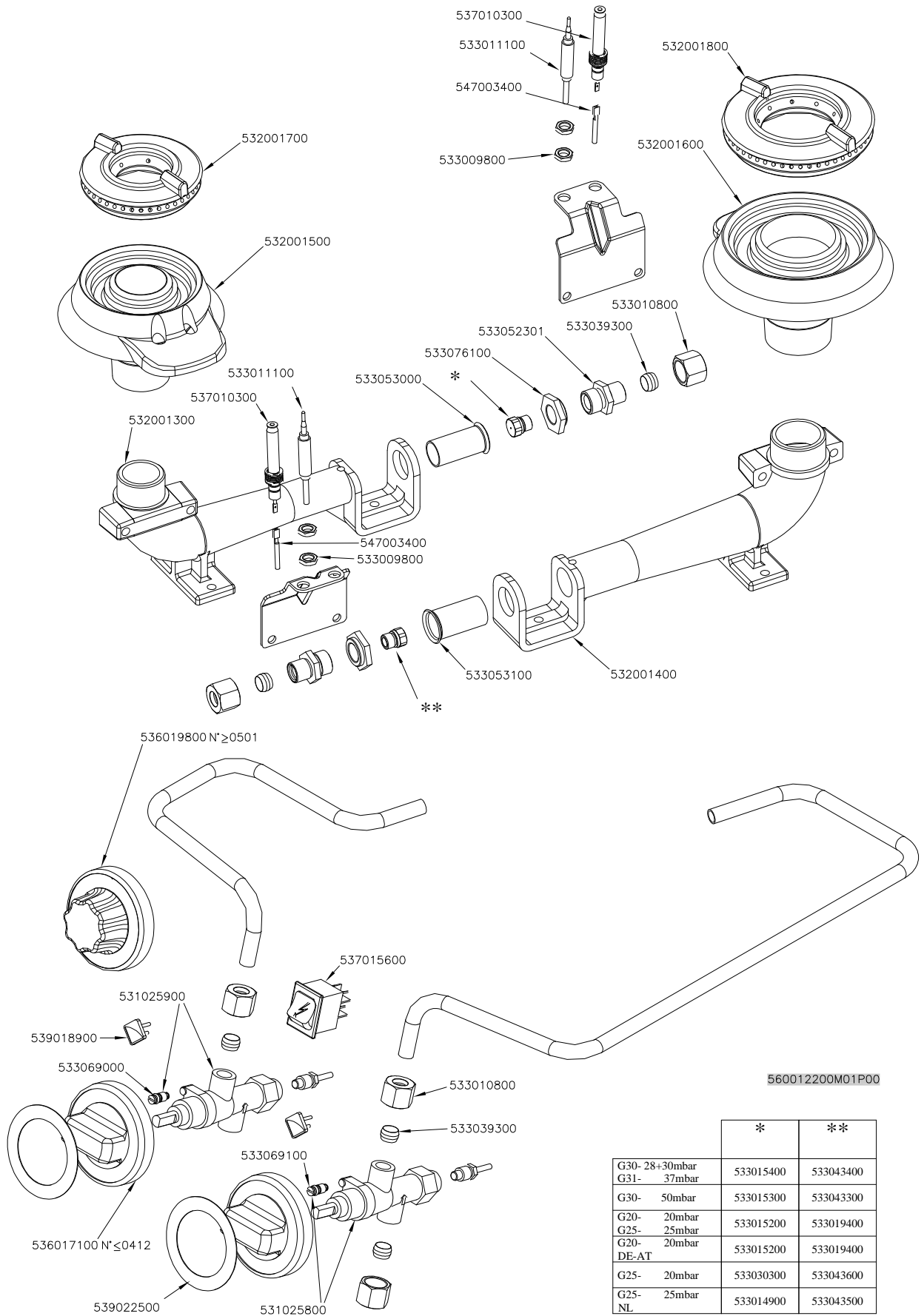
GAS / GAS / GAS / GAZ

PC-74G PC-78G PC-712G PC-716G

| | |
|---|----|
| | 1 |
| Vedi Pagina See Page Siehe Seite Voir Page Ver Página | 93 |



PC-G



| Page | Pos | Code | Description |
|------|-----|-----------|----------------------------------|
| 001 | | 533009200 | REDUCTION FOR 65 AND 70 LINE |
| 001 | | 541138100 | NEUTRAL SPACER 70LINE 716 |
| 001 | | 532002300 | 1 FLAME GRILL 346X274 (70) |
| 001 | | 544301100 | ENAMELLED BURNER DRIP PAN 1/2 |
| 001 | | 544333200 | |
| 001 | | 537007600 | TERMINAL BLOCK SINGLEPHASE 40A |
| 001 | | 537008400 | IGNITION UNIT 8 FLAMES V230 |
| 001 | | 541138200 | CONTROL PANEL PC-716G |
| 001 | | 544173500 | LEFT SIDE PANEL S.70 |
| 001 | | 536005200 | INOX LEG 2" 120-180 M10 |
| 001 | | 544173400 | RIGHT SIDE PANEL S.70 |
| 002 | | 537010300 | PLUG IGNITION WITH SPRING PC65 |
| 002 | | 533011100 | THERMOCOUPLE 600 M8*1 |
| 002 | | 547003400 | HIGH-VOLTAGE CABLE L=900 |
| 002 | | 533009800 | BRASS NUT M8*1 |
| 002 | | 532001800 | QUICKBURNER §102 |
| 002 | | 532001600 | BURNER BODY 5,5 KW |
| 002 | | 532001700 | QUICKBURNER §82 |
| 002 | | 532001500 | BURNER BODY 3,5 KW |
| 002 | | 533010800 | TUBE NUT D.10 M16*1,5 |
| 002 | | 533039300 | BICONE §10 |
| 002 | | 533052301 | JOINT FOR NOZZLE HOLDER |
| 002 | | 533076100 | HEXAGONAL NUT M14X1 H4 + BUSHING |
| 002 | | 533053000 | AIR ADJUSTMENT BUSHING §18 |
| 002 | | 532001300 | BURNER VENTURI 3,5 KW |
| 002 | | 533053100 | AIR ADJUSTMENT BUSHING §20 |
| 002 | | 532001400 | BURNER VENTURI 5,5 KW |
| 002 | | 536019800 | BLACK KNOB §70 PIN §8*6,5 |
| 002 | | 531025900 | SAFETY TAP 20S-B PEL20S21070 |
| 002 | | 539018900 | INDEX FOR KNOB |
| 002 | | 533069000 | BY PASS COCK §70 20S-21S |
| 002 | | 536017100 | BLACK KNOB §70 PIN §8*6,5 |
| 002 | | 539022500 | ADHESIVE GRADUATED DISC FOR KNOB |
| 002 | | 537015600 | BIPOLAR SWITCH |
| 002 | | 533069100 | BY PASS COCK §60 20S |
| 002 | | 531025800 | SAFETY TAP 20S-B PEL20S2160 |
| 002 | | 533015400 | NOZZLE §93 CH12*14 G-PC4 R |
| 002 | | 533043400 | NOZZLE §117 CH12*14 G-PC4 UR |
| 002 | | 533015300 | NOZZLE §82 CH12*14 F-PC4 R |
| 002 | | 533043300 | NOZZLE §103 CH12*14 F-PC4 UR |
| 002 | | 533015200 | NOZZLE §145 CH12*14 F-FP/CP6 |
| 002 | | 533019400 | NOZZLE §180 CH12*14 L-FQ5 |
| 002 | | 533030300 | NOZZLE §160 CH12*14 M-FPG |
| 002 | | 533043600 | NOZZLE §200 CH12*14 L-PC4 UR |
| 002 | | 533014900 | NOZZLE §150 CH12*14 F-FQ5 L-FQ6 |
| 002 | | 533043500 | NOZZLE §190 CH12*14 G25 PC4R |