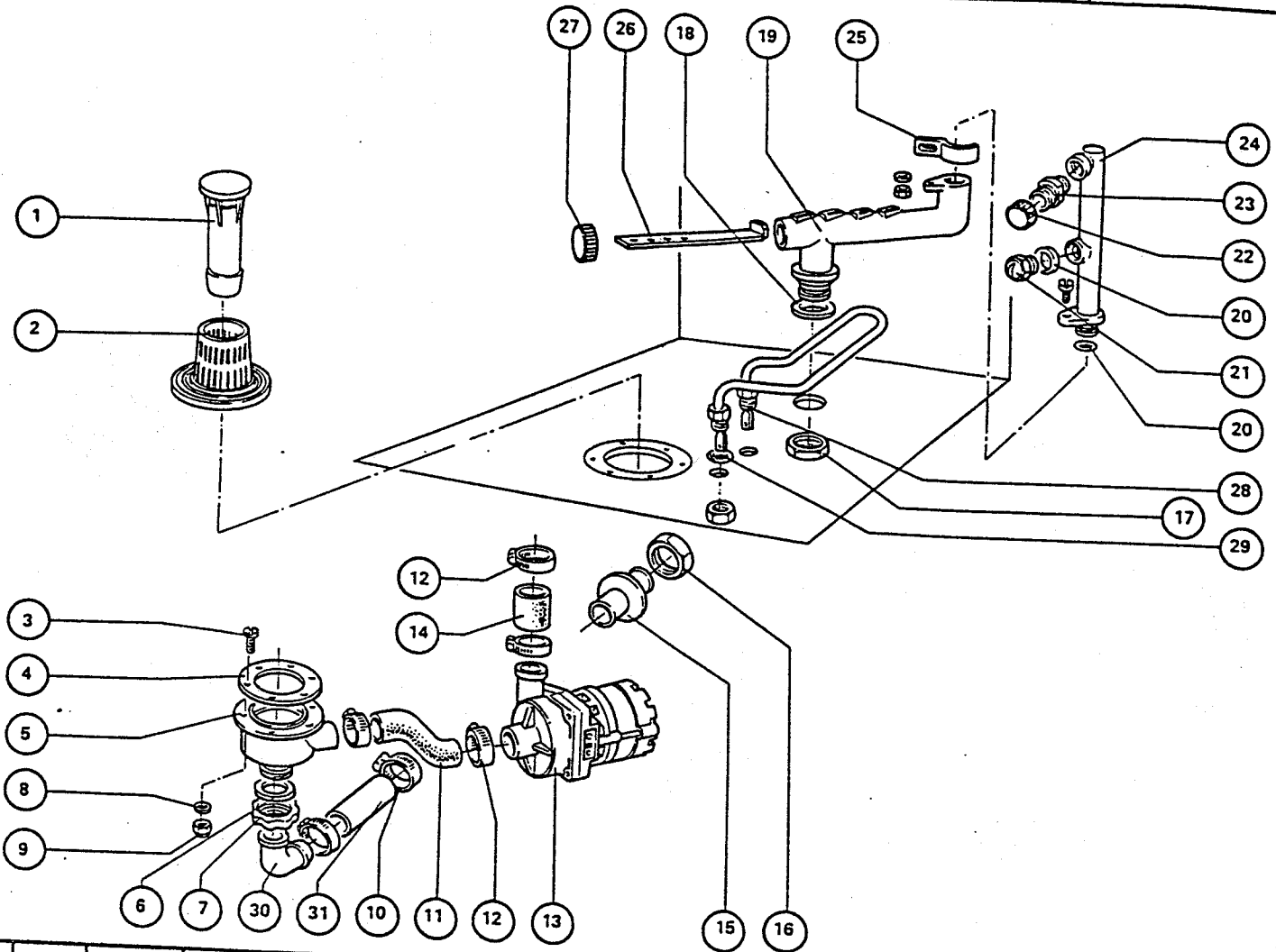
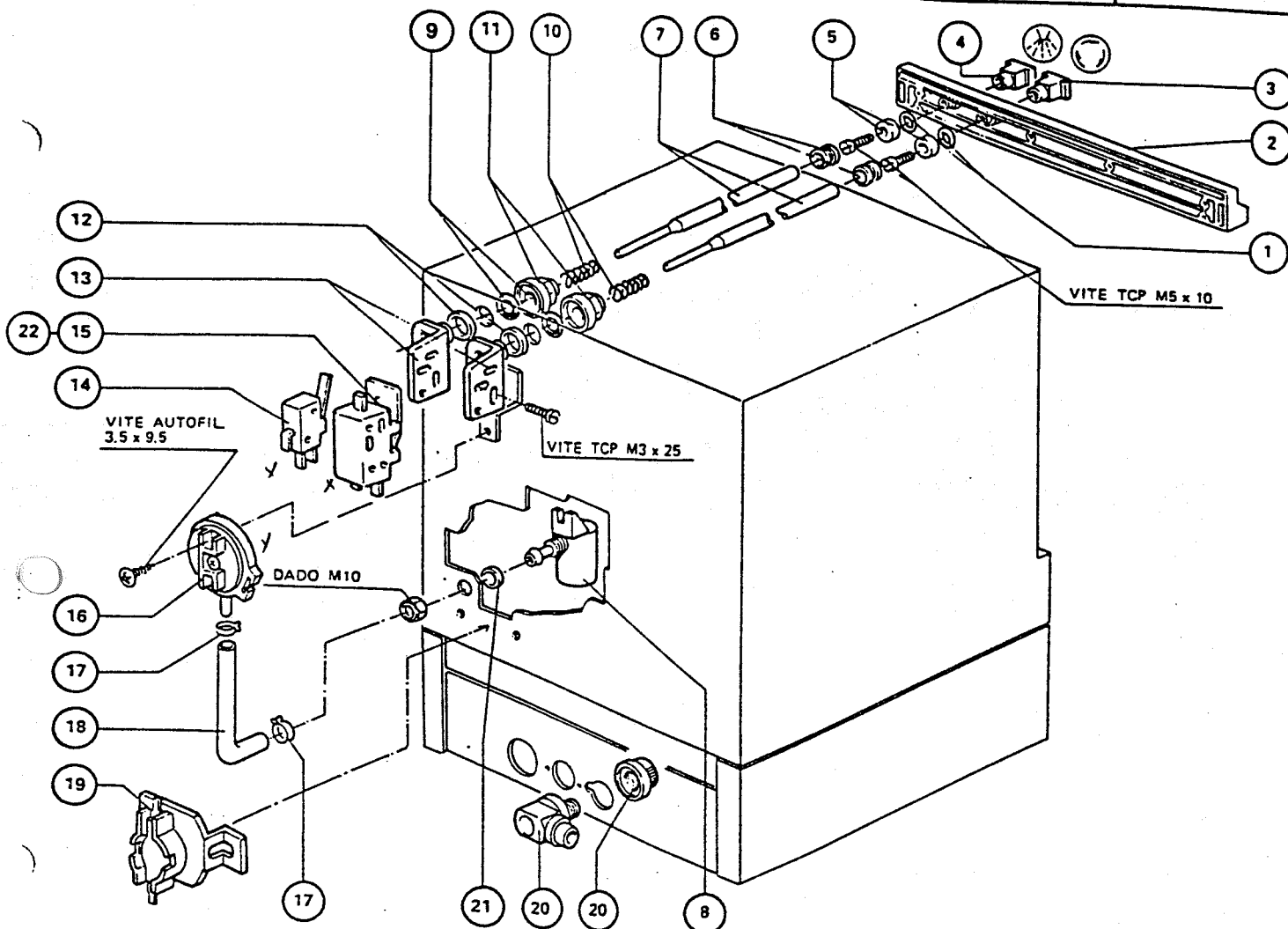


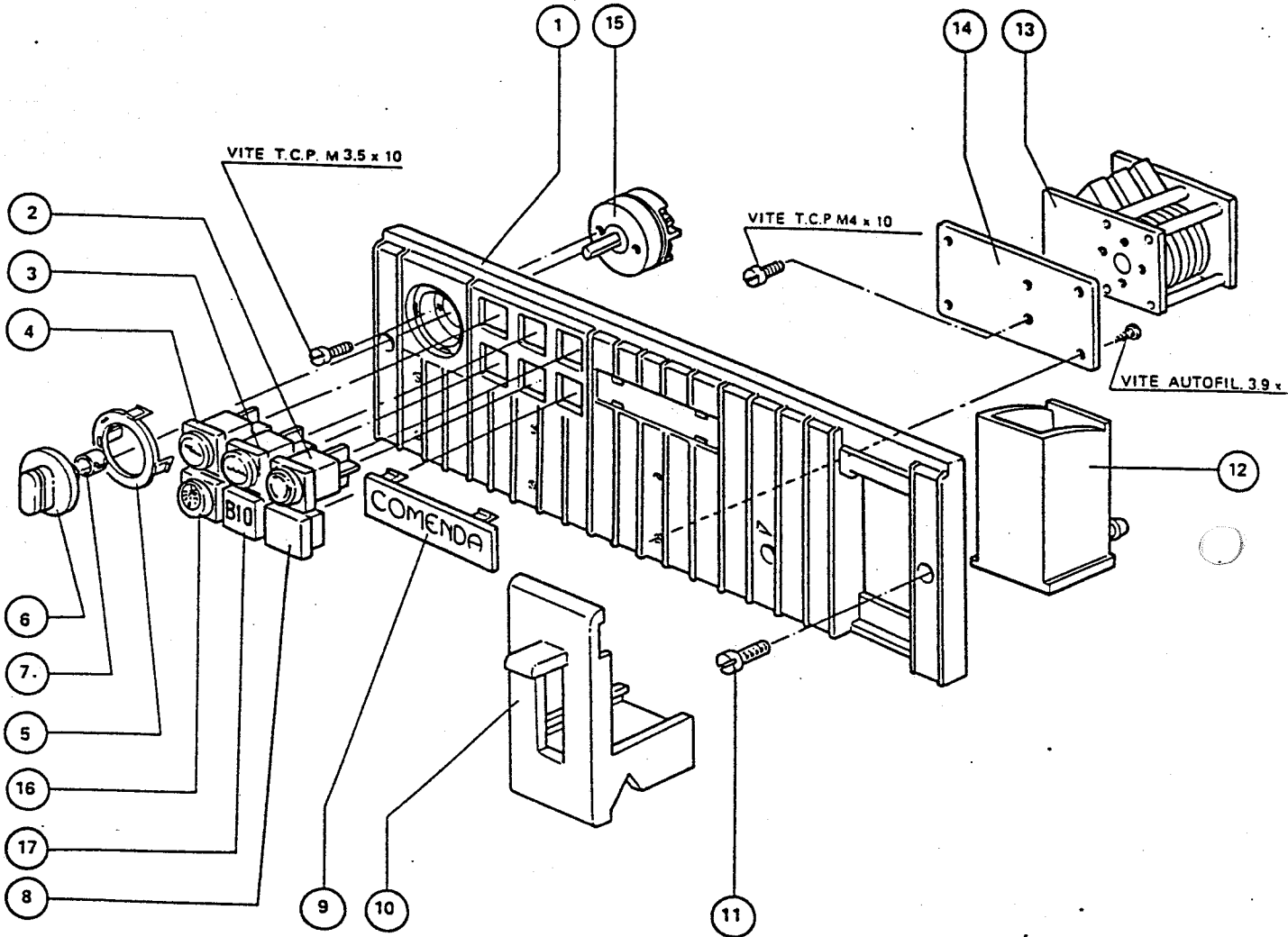
P O S.	M	CODICE	DESCRIZIONE	DENOMINATION	DESCRIPTION	BEZEICHNUNG
1		321802 X	CERNIERA	PATTE	DOOR SUPPORT	HALTEPLATTE
2		341218 X	PERNO CERNIERA	AXE	PIN	STIFT
3	B10	320954	PORTINA	PORTE	DOOR	TUR
3	B11-12	320955	PORTINA	PORTE	DOOR	TUR
		381403 X	SCROCCHETTO	FERMETURE PORTE	DOOR CATCH	SCHNAPPVERSCHLUSS
	B10	170809	MANIGLIA	POIGNEE	DOOR HANDLE	TURGRIF
5	B11-12	170808 X	MANIGLIA	POIGNEE	DOOR HANDLE	TURGRIF
6		160832	RONDELLA	RONDELLE	WASHER	BEILEGSCHIBE
7		260238	VITE T.B. M4 x 10	VIS	SCREW	SCHRAUBE
8		260237	VITE T.C.P. BRUNITA M5 x 25	VIS	SCREW	SCHRAUBE
9		460714	TARGA COMANDI	PANNEAU	CONTROL PANEL	SCHALTAFEL
10		210204	PIEDINO	PIED	FOOT	FUSS
11		310212	DADO CIECO	ECROU	LOCK NUT	MUTTER
12	B10	161115	PROTEZIONE POSTER.	PROTECTION POST.	BACKPANEL	ABDECKUNG
12	B11-12	161104	PROTEZIONE POSTER.	PROTECTION POST.	BACKPANEL	ABDECKUNG
13	B10	340896	CARROZZERIA	CARROSSERIE	HOOD	KARROSSERIE
13	B11-12	340897	CARROZZERIA	CARROSSERIE	HOOD	KARROSSERIE
14		210402	PARACOLPI	PROTECTION	PAD	TURDAMPFER
15		320667	RINFORZO CERNIERA	REINFORCEMENT	REINFORCEMENT	VERSTÄRKUNG
16						



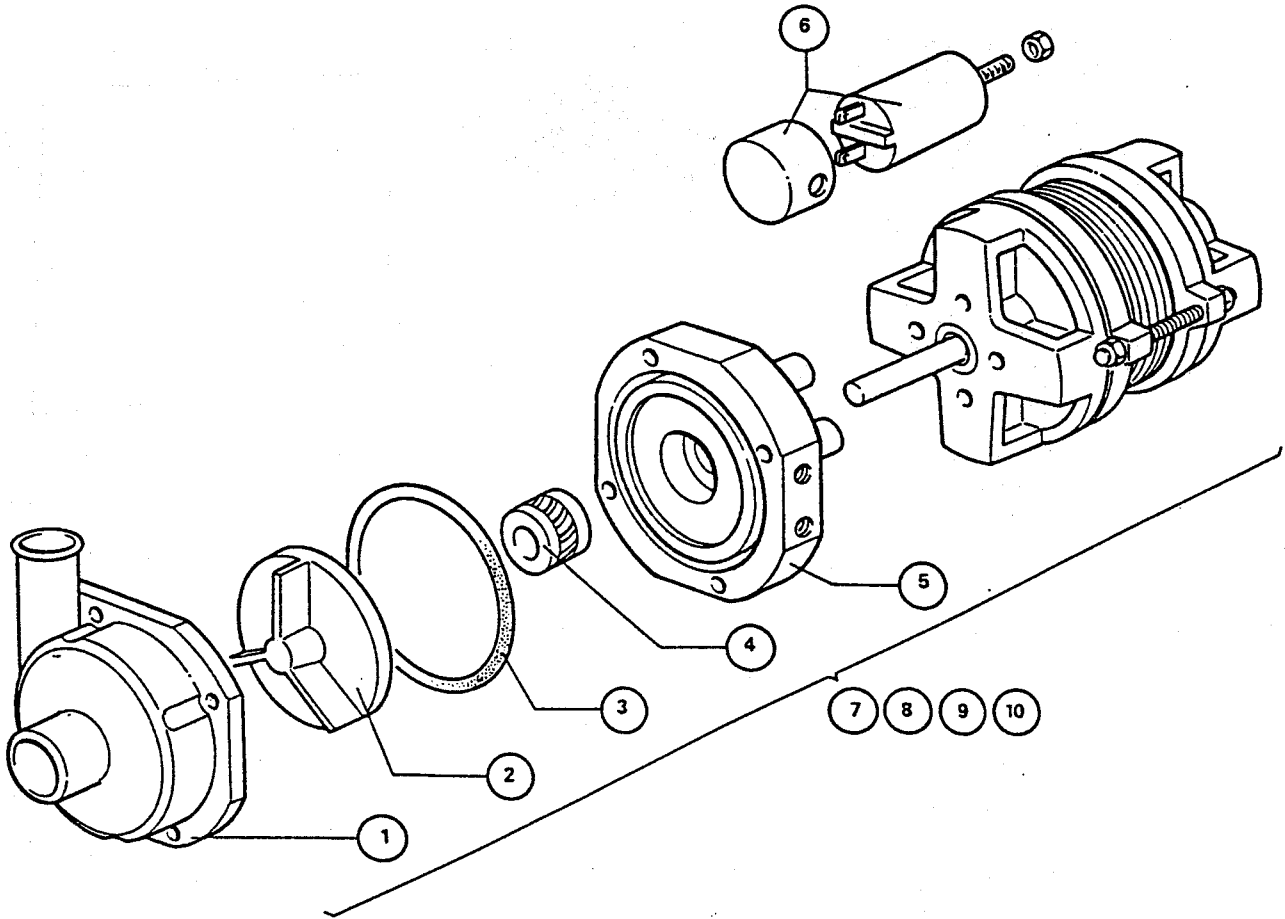
M	CODICE	DESCRIZIONE	DENOMINATION	DESCRIPTION	BEZEICHNUNG
	180704	TROPPOPIENO	TROP PLEIN	OVERFLOW PIPE	ÜBERLAUFSTUTZEN
	180809	FILTRO	FILTRE	FILTER	FILTER
	260224	VITI TB 6 x 15	VIS	SCREW	SCHRAUBE
	200436	GUARNIZIONE	JOINT	GASKET	DICHTUNG
	180210	TRONCHETTO	TRONC	PUMP SUCTION	ANSAUGSTUTZEN
	200412	GUARNIZIONE	JOINT	GASKET	DICHTUNG
	180102	GHIERA PER CODULO	EMBOUT	LOCK NUT	DICHTUNG
	160804	GUARNIZIONE DUBO	JOINT	GASKET	GEWINDERING
	290701	DADO CIECO	ECROU	GASKET	DICHTUNG
	450114	FASCETTA 22 + 32	COLLIER	LOCK NUT	MUTTER
	200719	TUBO ASPIRAZIONE	TUYAU	CLAMP	SCHLAUCHSCHELLE
	450139	FASCETTA 26 + 38	COLLIER	SUCTION HOSE	ANSAUGSCHLAUCH
811-12	100628	POMPA 0.12 HP	POMPE	CLAMP	SCHLAUCHSCHELLE
810	100660	POMPA 0.12 HP	POMPE	PUMP	PUMPE
	200369	MANICOTTO	MANCHON	PUMP	PUMPE
	190304	RACCORDO DI SCARICO	RACCORDEMENT	DISCHARGE HOSE	VERBINDUNGSSCHLAUCH
	180101	CONTRODADO Ø 3/4"	CONTRE - ECROU 3/4"	DRAIN CONNECTION	ABLAUFANSCHLUSS
	270106	GHIERA	EMBOUT	RETAINING NUT 3/4"	GEGENMUTTER 3/4"
	200412	GUARNIZIONE	JOINT	LOCK NUT	KLEMMRING
	170603	TUBO LAV. INF.	TUYAU	GASKET	DICHTUNG
	200819	GUARNIZIONE OR	O-RING	LOWER WASH PIPE	UNTERER WASCHARM
	170924	UGELLO A TAGLIO	GICLEUR	O-RING	O-RING
	170908	UGELLO	GICLEUR	NOZZLE	SPÜLDÜSE
	190618	DIFFUSORE	DIFFUSEUR	NOZZLE	SPÜLDÜSE
810	170618	TUBO LAV. LATERALE	TUYAU	DEFLECTOR	SPÜLDÜSE
811-12	170604	TUBO LAV. LATERALE	TUYAU	WASH PIPE	VERTEILER
	330611	FERMO BRACCIO SUP.	ARRET	WASH PIPE	SEITL. WASCHARM
	320624	PIASTRINA	PATTE	TIE ROD	SHELLE
	160710	TAPPO PER TUBO	BOUCHON	SUPPORT	PLATTE
	110235 X	RESISTENZA 1500 W	RESISTANCE	PLUG	PFRÖPFEN
	200810	GUARNIZIONE OR	O-RING	HEATING ELEMENT	HEIZKÖRPER
	160204	CODULO CURVO	COUDE	O-RING	O-RING
	200742	TUBO DI SCARICO	DURITE	ELL	KNIESTÜCK
				DRAIN HOSE	ABLAUFSCHLAUCH



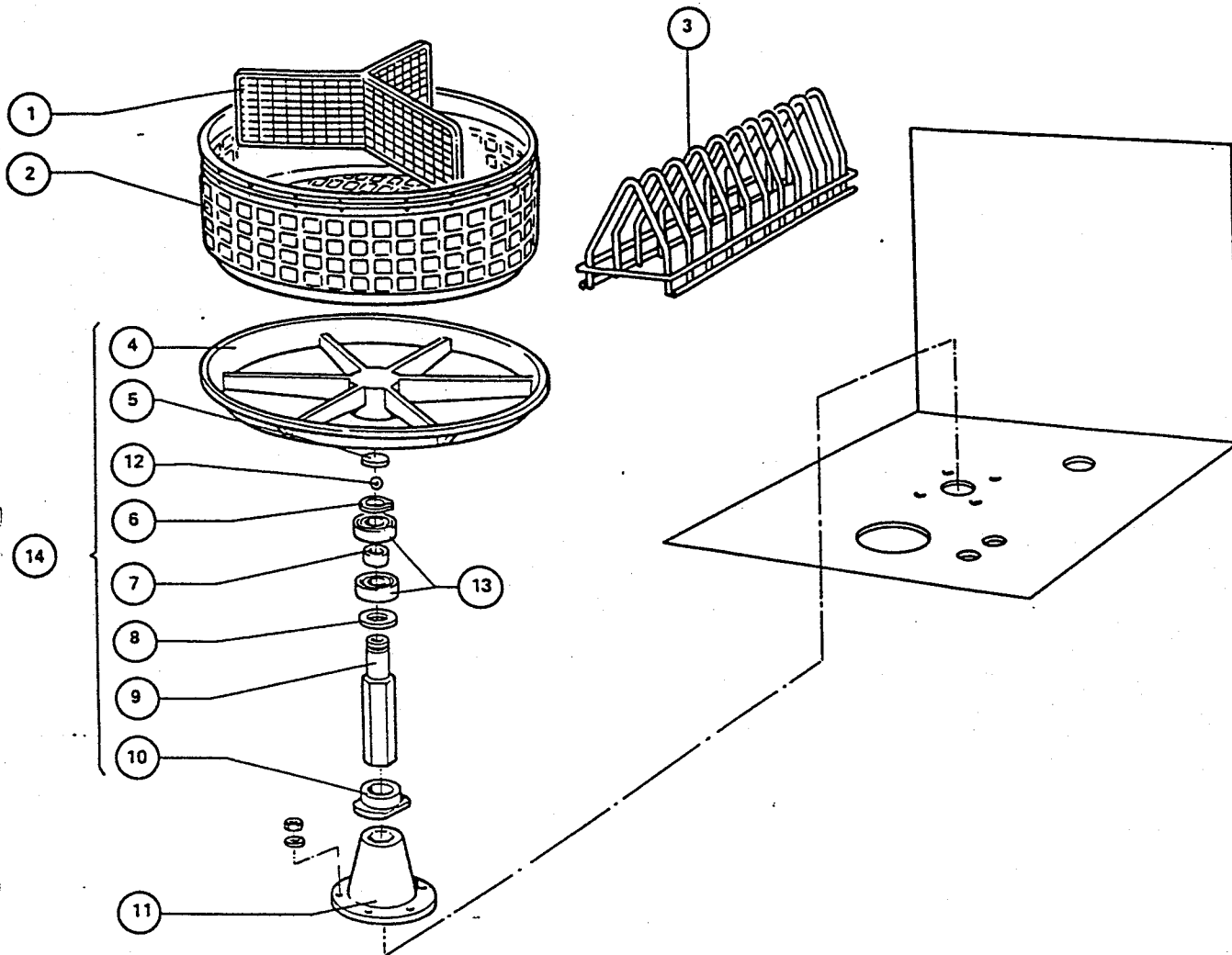
P O S.	M	CODICE	DESCRIZIONE	DENOMINATION	DESCRIPTION	BEZEICHNUNG
1	B11-12	700809 X	GUARNIZIONE OR	O-RING	O-RING	O-RING
2	B10	170809 X	MANIGLIA	POIGNEE	DOOR HANDLE	TURGRIFF
2	B11-12	170808 X	MANIGLIA	POIGNEE	DOOR HANDLE	TURGRIFF
3	B11-12	130420 X	PULSANTE "CICLO"	BOUTON CYCLE	WASH CYCLE SWITCH	SCHALTER WASCHZYKLUSS
	B11-12	130419 X	PULSANTE "RISC. FREDDO"	BOUTON RINCAGE FROID	COLD RINSE SWITCH	SCHALTER
6	B11-12	330841 X	BUSSOLA PULSANTE	DOUILLE	BUSHING	BUCHSE
6	B11-12	190629 X	BUSSOLA ASTA	DOUILLE	BUSHING	BUCHSE
7	B11-12	341232	ASTA COMANDO MICRO	AXE MICRO	SAFETY SWITCH ROD	DRUCKSTANGE
8		181303	TRAPPOLA ARIA	CAPUCHON AIR	AIR TRAP	LUFTFALLE
9	B11-12	200431 X	GUARNIZIONE PERNO	JOINT	GASKET	DICHTUNG
10	B11-12	450215 X	MOLLA ASTA MICRO	RESSORT	SPRING	FEDER
11	B11-12	180125 X	GHIERA IN PLASTICA	EMBOUT	LOCK NUT	GEWINDERING
12	B11-12	200416 X	GUARNIZIONE	JOINT	GASKET	DICHTUNG
13	B11-12	190119	SUPPORTO MICRO	SUPPORT	SUPPORT	SUPPORT
14	B11	120323 X	MICRO "RISCIACQUO FREDDO"	MICRO INTERRUPTEUR	MICRO SWITCH	ENDSCHALTER
15	B11-12	120323 X	MICRO "CICLO"	MICRO INTERRUPTEUR	MICRO SWITCH	ENDSCHALTER
16		130605 X	PRESSOSTATO	PRESSOSTAT	PRESSURE SWITCH	DRUCKWACHTER
17		450125	FASCETTA ELASTICA	COLLIER	CLAMP	SCHELLE
18		200353	TUBO PRESSOSTATO	TUYAU PRESSOSTAT	PRESS. SWITCH HOSE	DRUCKWÄCHTERSCHLAUCH
19		120509 X	TERMOSTATO VASCA	THERMOSTAT CUVE	TANK THERMOSTAT	TANKTHERMOSTAT
20		150818	PRESSACAVO	PROTECTION GAINÉ	CABLE HOLDER	KABELDURCHCLASS
21		200415	GUARNIZIONE	JOINT	GASKET	DICHTUNG
22	B12	120332 X	MICRO "RISCIACQUO FREDDO"	MICRO INTERRUPTEUR	MICRO SWITCH	ENDSCHALTER



P O S.	M.	CODICE	DESCRIZIONE	DENOMINATION	DESCRIPTION	BEZEICHNUNG
1		480714	TARGA COMANDI	PANNEAU	CONTROL PANEL	SCHALTAFEL
2	B11	130136	LAMP. SPIA "IN FUNZIONE".	LAMPE TEMOIN	INDICATOR LAMP	LEUCHTLAMPE
3	B10	130421	PULS. "AVVIO CICLO"	BOUTON	PUSH BUTTON	DRUCKTASTE
4		130135	LAM. SPIA "PRONTA"	LAMPE TEMOIN	INDICATOR LAMP	LEUCHTLAMPE
5		130134	LAM. SPIA "ACCESA"	LAMPE TEMOIN	INDICATOR LAMP	LEUCHTLAMPE
6		460776	TARGHETTA	PLAQUETTE	PLATE	SCHILD
7		450316	MANOPOLA	POIGNEE	KNOB	KNEBEL
8		440817	ANELLO ELASTICO	ANNEAU RESORT	SNAP RING	FEDERSPERRING
9		160733	TAPPO	BOUCHON	PLUG	PFRPFEN
10		460775	TARGHETTA MARCHIO	PLAQUE	NAME PLATE	MARKENSCHILD
11		190117	SUPPORTO CONTEN.	SUPPORT	SUPPORT	HALTERUNG
12		260237	VITE TCP BRUNITA M5 x 25	VIS	SCREW	SCHRAUBE
13		190809	CONTENIT. BRILLANT.	CONTAINER PROD. RINC.	RINSE AID. CONT	GLANZMITTELBEHÄLTER
14		120225	TIMER 120"	PROGRAMMATEUR	TIMER	ZEITSCHALTER
15		320670	PIASTRA SUPP. TIMER	SUPPORT	SUPPORT	SUPPORT
16	B10	120712	INTERRUTT. GENERALE	INTERRUPTEUR	SWITCH	EINSCHALTER
17	B10	130422	PULS. "RISCIACQUO FREDDO"	BOUTON RINCAGE FROID	COLD RINSE SWITCH	SCHALTER
17	B10	160740	TAPPO CON SIMBOLO	BOUCHON - MODELE	MACHINE - SYMBOL	MODELL BEZEICHNUNG
17	B11	160741	TAPPO CON SIMBOLO	BOUCHON - MODELE	MACHINE - SYMBOL	MODELL BEZEICHNUNG



POS.	M	CODICE	DESCRIZIONE	DENOMINATION	DESCRIPTION	BEZEICHNUNG
1		630125	CHIOCCIOLA	ESCARGOT	VOLUTE	PUMPENGEHAUSE
2		631640	GIRANTE 50 Hz GIRANTE 60 Hz	TURBINE TURBINE	IMPELLER IMPELLER	LAUFRAD LAUFRAD
		630416	GUARNIZIONE OR	O-RING	O-RING	O-RING
		630514	TENUTA MECCANICA	JOINT PRESSE ETOUPE	PUMP SEAL	AXIALDICHTUNG
5		630235	COPERCHIO	COUVERCLE	COVER	SCHILD
6		631208	CONDENSATORE 5 μ F	CONDENSATEUR	CONDENSER	KONDENSATOR
7		100660	POMPA 0.12 HP 220V/50 Hz	POMPE	PUMP	PUMPE
8		100661	POMPA 0.12 HP 240V/50 Hz	POMPE	PUMP	PUMPE
9			POMPA 0.12 HP 250V/50 Hz	POMPE	PUMP	PUMPE
10		100662	POMPA 0.12 HP 220V/60 Hz	POMPE	PUMP	PUMPE



POS.	M	CODICE	DESCRIZIONE	DENOMINATION	DESCRIPTION	BEZEICHNUNG
1		520612	INSERTO	INTERCALAIRE	INSERT	EINSATZ
2		660703	CESTELLO	PANIER	RACK	KORB
3		520621	INSERTO PIATTINI	INTERCALAIRE SOUS-COUPES	INSERT FOR SMALL PLATES	KLEINTELLEREINSATZ
4		170307	CERCHIO PORTACEST.	PORTE PANIER	RACK SUPPORT	KORBTRAGER
5		260529	RONDELLA	RONDELLE	WASHER	GLEITRING
6		440809	ANELLO D'ARRESTO	SEEGER	SNAP RING	SEEGER
7		330817	DISTANZIALE	ENTRETOISE	SPACER	DISTANZRING
8		160825	RONDELLA	RONDELLE	WASHER	GLEITRING
9		340472	ALBERINO	AXE	SPINDLE	WELLE
10		180110	GHIERA	EMBOUT	LOCK NUT	KLEMMRING
11		190105	COLONNINA	COLONNE	SUPPORT	TRAGERHALTERUNG
12		410118	SFERA	BILLE	BALL	KUGEL
13		410115	CUSCINETTO	ROULEMENT	BALL BEARING	KUGELLAGER
14		620203	GRUPPO CERCHIO	PORTE PANIER COMPL.	RACK SUPP. ASSEMBLY	KORBTRAGEREINHEIT