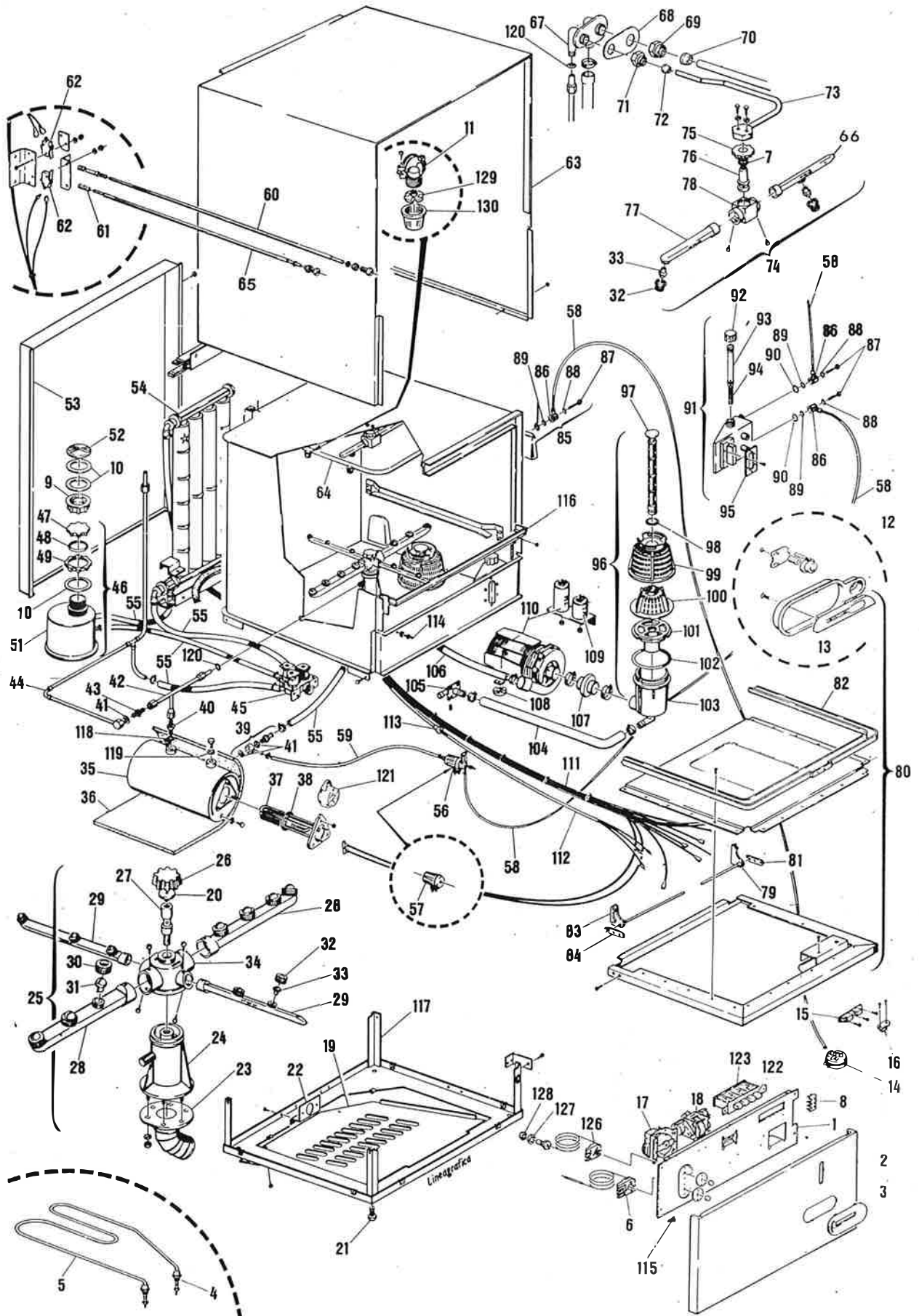


**ES elettrobar**



**E3 wolk**

mod. S:

21 - 623 - 624 - 626  
631 - 633 - 634 - 636

7

10/87

| POS. | CODICE<br>CODE<br>KODE | POS. | CODICE<br>CODE<br>KODE | POS. | CODICE<br>CODE<br>KODE | POS. | CODICE<br>CODE<br>KODE |
|------|------------------------|------|------------------------|------|------------------------|------|------------------------|
| 1    | { 02 40 01<br>02 40 02 | 29   | { 10 60 11<br>10 60 10 | 57   | { 20 10 02<br>20 10 11 | 83   | 31 10 02               |
| 2    | 01 20 01               | 30   | 42 90 07               | 58   | 14 30 13               | 84   | 30 70 02               |
| 3    | { 40 40 01<br>40 40 02 | 31   | 14 00 08               | 59   | 14 30 05               | 85   | 98 40 01               |
| 4    | 43 70 22               | 32   | 42 90 06               | 60   | { 98 10 02<br>41 00 01 | 86   | 46 80 53               |
| 5    | { 23 00 09<br>23 00 17 | 34   | 12 90 03               | 61   | { 44 90 08<br>44 90 07 | 87   | 48 60 02               |
| 6    | 23 60 04               | 35   | 98 20 06               | 62   | 21 80 02               | 88   | 45 60 06               |
| 7    | 43 70 08               | 36   | 41 30 02               | 63   | { 01 00 01<br>01 00 02 | 89   | 45 60 06               |
| 8    | 22 00 04               | 37   | { 23 00 12<br>23 00 25 | 64   | 99 00 26               | 90   | pag. 161               |
| 9    | 42 90 12               | 38   | 23 00 23               | 65   | { 98 10 01<br>44 90 07 | 91   | pag. 161               |
| 10   | 43 70 34               | 39   | 45 60 02               | 66   | pag. 163               | 92   | 48 00 04               |
| 11   | 11 00 01               | 40   | 99 10 01               | 67   | 11 10 01               | 93   | 10 90 02               |
| 12   | 44 70 37               | 41   | 46 80 05               | 68   | 43 70 37               | 94   | 44 90 05               |
| 13   | 44 70 36               | 42   | 43 70 07               | 69   | 41 70 38               | 95   | 43 70 36               |
| 14   | 22 40 03               | 43   | 46 80 27               | 70   | 44 10 10               | 96   | 98 60 01               |
| 15   | 99 40 01               | 44   | 46 80 03               | 71   | 41 70 39               | 97   | 14 20 08               |
| 16   | 12 30 02               | 45   | { 11 50 06<br>11 50 07 | 72   | 44 10 09               | 98   | 45 60 10               |
| 17   | pag. 49                | 46   | pag. 53                | 73   | 11 50 05               | 99   | 12 10 14               |
| 18   | pag. 49                | 47   | 40 69 99               | 74   | pag. 163               | 100  | 12 10 16               |
| 19   | 03 00 01               | 48   | 48 00 05               | 75   | 42 90 08               | 101  | 42 90 13               |
| 20   | 45 40 02               | 49   | 45 60 16               | 76   | 32 50 01               | 102  | 45 60 01               |
| 21   | 46 10 10               | 52   | 42 90 11               | 77   | pag. 163               | 103  | 13 60 02               |
| 22   | 03 30 04               | 53   | 48 00 06               | 78   | 12 70 01               | 104  | 12 70 05               |
| 23   | 12 70 12               | 54   | { 02 20 03<br>02 20 07 | 79   | 12 70 13               | 105  | 13 60 04               |
| 24   | 11 50 02               | 55   | pag. 162               | 80   | { 02 90 01<br>02 90 08 | 106  | 12 70 01               |
| 25   | 99 00 08               | 56   | 14 30 04               | 81   | 30 70 01               | 107  | 12 70 13               |
| 26   | 44 70 30               |      | { 98 70 01<br>98 70 05 | 82   | { 32 80 03<br>32 80 01 | 108  | 47 20 27               |
| 27   | 32 70 06               |      |                        |      |                        | 109  | 21 20 01               |
| 28   | { 10 60 09<br>10 60 12 |      |                        |      |                        | 110  | pag. 55                |
|      |                        |      |                        |      |                        | 111  | { 20 30 17<br>20 30 15 |

**E3 wolk**

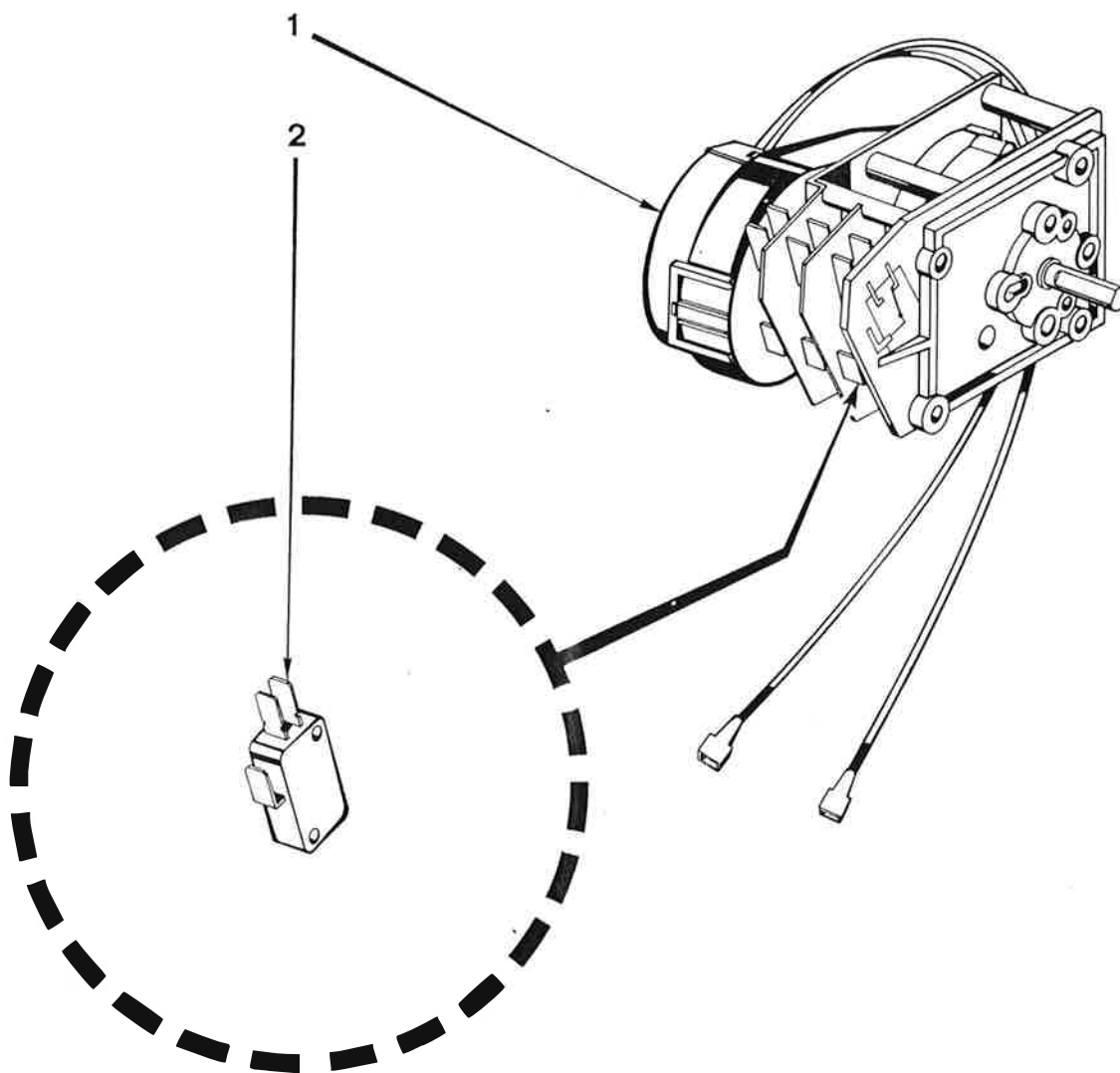
mod. S:

621 - 623 - 624 - 626  
631 - 633 - 634 - 636

8

10/8

| POS. | CODICE<br>CODE<br>KODE | POS. | CODICE<br>CODE<br>KODE | POS. | CODICE<br>CODE<br>KODE | POS. | CODICE<br>CODE<br>KODE |
|------|------------------------|------|------------------------|------|------------------------|------|------------------------|
| 112  | 20 40 06               | 147  | 12 90 01               |      |                        |      |                        |
| 113  | 45 90 01               | 148  | 45 40 01               |      |                        |      |                        |
| 114  | 46 20 01               |      |                        |      |                        |      |                        |
| 115  | 49 90 07               |      |                        |      |                        |      |                        |
| 116  | 32 80 06               |      |                        |      |                        |      |                        |
| 117  | 04 00 06               |      |                        |      |                        |      |                        |
| 118  | 43 70 42               |      |                        |      |                        |      |                        |
| 119  | 43 70 05               |      |                        |      |                        |      |                        |
| 120  | 45 60 11               |      |                        |      |                        |      |                        |
| 121  | 46 70 02               |      |                        |      |                        |      |                        |
| 122  | pag. 69                |      |                        |      |                        |      |                        |
| 123  | pag. 69                |      |                        |      |                        |      |                        |
| 126  | 23 60 03               |      |                        |      |                        |      |                        |
| 127  | 43 70 02               |      |                        |      |                        |      |                        |
| 128  | 41 70 17               |      |                        |      |                        |      |                        |
| 129  | pag. 160               |      |                        |      |                        |      |                        |
| 130  | pag. 160               |      |                        |      |                        |      |                        |
| 131  | 46 80 25               |      |                        |      |                        |      |                        |
| 132  | 31 90 02               |      |                        |      |                        |      |                        |
| 133  | 32 20 04               |      |                        |      |                        |      |                        |
| 134  | 49 90 18               |      |                        |      |                        |      |                        |
| 135  | 11 50 04               |      |                        |      |                        |      |                        |
| 136  | 47 80 17               |      |                        |      |                        |      |                        |
| 137  | 03 30 36               |      |                        |      |                        |      |                        |
| 138  | 10 60 03               |      |                        |      |                        |      |                        |
| 139  | 13 30 03               |      |                        |      |                        |      |                        |
| 140  | 10 60 01               |      |                        |      |                        |      |                        |
| 141  | 14 00 07               |      |                        |      |                        |      |                        |
| 142  | 42 90 06               |      |                        |      |                        |      |                        |
| 143  | 14 00 08               |      |                        |      |                        |      |                        |
| 144  | 42 90 07               |      |                        |      |                        |      |                        |
| 145  | 99 00 12               |      |                        |      |                        |      |                        |
| 146  | 11 00 01               |      |                        |      |                        |      |                        |



| POS. | CODICE<br>CODE<br>KODE | DESCRIZIONE - DESCRIPTION - BESCHREIBUNG  |
|------|------------------------|---|
| 1    | 23 80 12               | Timer ciclo 108" - Cronel 3C<br>Cycle timer 108" - Cronel 3C<br>Programmateur cycle 108" - Cronel 3C<br>Programmschalter 108" - Cronel 3C                     |
| 1    | 23 80 26               | Timer ciclo 108" - Crouzet 2C<br>Cycle timer 108" - Crouzet 2C<br>Programmateur cycle 108" - Crouzet 2C<br>Programmschalter 108" - Crouzet 2C                 |
| 1    | 23 80 07               | Timer ciclo 108" - Cronel 3C<br>Cycle timer 108" - Cronel 3C<br>Programmateur cycle 108" - Cronel 3C<br>Programmschalter 108" - Cronel 3C                     |
| 1    | 23 80 33               | Timer ciclo 150" - Cronel 3C<br>Cycle timer 150" - Cronel 3C<br>Programmateur cycle 150" - Cronel 3C<br>Programmschalter 150" - Cronel 3C                     |
| 1    | 23 80 36               | Timer ciclo 150" - Crouzet 2C<br>Cycle timer 150" - Crouzet 2C<br>Programmateur cycle 150" - Crouzet 2C<br>Programmschalter 150" - Crouzet 2C                 |
| 1    | 23 80 41               | Timer ciclo 150" - Cronel 3C<br>Cycle timer 150" - Cronel 3C<br>Programmateur cycle 150" - Cronel 3C<br>Programmschalter 150" - Cronel 3C                     |
| 1    | 23 80 03               | Timer ciclo 108"/168" - Cronel 4C<br>Cycle timer 108"/168" - Cronel 4C<br>Programmateur cycle 108"/168" - Cronel 4C<br>Programmschalter 108"/168" - Cronel 4C |
| 1    | 23 80 17               | Timer ciclo 108"/168" - Cronel 4C<br>Cycle timer 108"/168" - Cronel 4C<br>Programmateur cycle 108"/168" - Cronel 4C<br>Programmschalter 108"/168" - Cronel 4C |

|   |          |  |
|---|----------|--|
| 1 | 23 80 02 | Timer ciclo 1' 2' 3' - Cronel 4C<br>Cycle timer 1' 2' 3' - Cronel 4C<br>Programmateur 1' 2' 3' - Cronel 4C<br>Programmschalter 1' 2' 3' - Cronel 4C                        |
| 1 | 23 80 22 | Timer ciclo 5' 10' - Cronel 4C<br>Cycle timer 5' 10' - Cronel 4C<br>Programmateur 5' 10' - Cronel 4C<br>Programmschalter 5' 10' - Cronel 4C                                |
| 1 | 23 80 30 | Timer ciclo 3' 6' 9' - Cronel 4C<br>Cycle timer 3' 6' 9' - Cronel 4C<br>Programmateur 3' 6' 9' - Cronel 4C<br>Programmschalter 3' 6' 9' - Cronel 4C                        |
| 1 | 23 80 21 | Timer ciclo 5' - Cronel 3C<br>Cycle timer 5' - Cronel 3C<br>Programmateur 5' - Cronel 3C<br>Programmschalter 5' - Cronel 3C  |
| 1 | 23 80 11 | Timer rigenerazione 15' - Cronel 1C<br>Regeneration timer 15' - Cronel 1C<br>Programmateur regeneration 15' - Cronel 1C<br>Regenerationsschaltwerk 15' - Cronel 1C         |
| 1 | 23 80 06 | Timer rigenerazione 15' - Cronel 1C<br>Regeneration timer 15' - Cronel 1C<br>Programmateur regeneration 15' - Cronel 1C<br>Regenerationsschaltwerk 15' - Cronel 1C         |
| 1 | 23 80 27 | Timer rigenerazione 15' - Cronel 1C<br>Regeneration timer 15' - Cronel 1C<br>Programmateur regeneration 15' - Cronel 1C<br>Regenerationsschaltwerk 15' - Cronel 1C         |
| 1 | 23 80 10 | Timer pompa scarico 108" - Cronel 4C<br>Drain pump timer 108" - Cronel 4C<br>Programmateur pompe vidange 108" - Cronel 4C<br>Laugenpumpe-Programmschalter 108" - Cronel 4C |
| 1 | 23 80 08 | Timer pompa scarico 108" - Cronel 4C<br>Drain pump timer 108" - Cronel 4C<br>Programmateur pompe vidange 108" - Cronel 4C<br>Laugenpumpe-Programmschalter 108" - Cronel 4C |
| 1 | 23 80 20 | Timer pompa scarico 168" - Cronel 4C<br>Drain pump timer 168" - Cronel 4C<br>Programmateur pompe vidange 168" - Cronel 4C<br>Laugenpumpe-Programmschalter 168" - Cronel 4C |
| 1 | 21 80 09 | Micro timer Cronel<br>Microtimer Cronel<br>Minirupteur programmateur Cronel<br>Mikroschalter Cronel  |

220-240/50/1  
 S 850  
 Mod. S 870  
 da matricola n° 64903  
 from serial no. 64903  
 du matricule n° 64903  
 ab Maschinen-Nr. 64903

220/50/1  
 Mod. S 950  
 fino matricola n° 81059  
 till serial no. 81059  
 au matricule n° 81059  
 bis Maschinen-Nr. 81059

220-240/50/1  
 Mod. S 950  
 da matricola n° 81060  
 from serial no. 81060  
 du matricule n° 81060  
 ab Maschinen-Nr. 81060

220/50/1  
 Versione speciale  
 special version  
 version special  
 besondere Ausführung

220/50/1  
 Mod. S 623 - 626 - 633 -  
 636 - 653

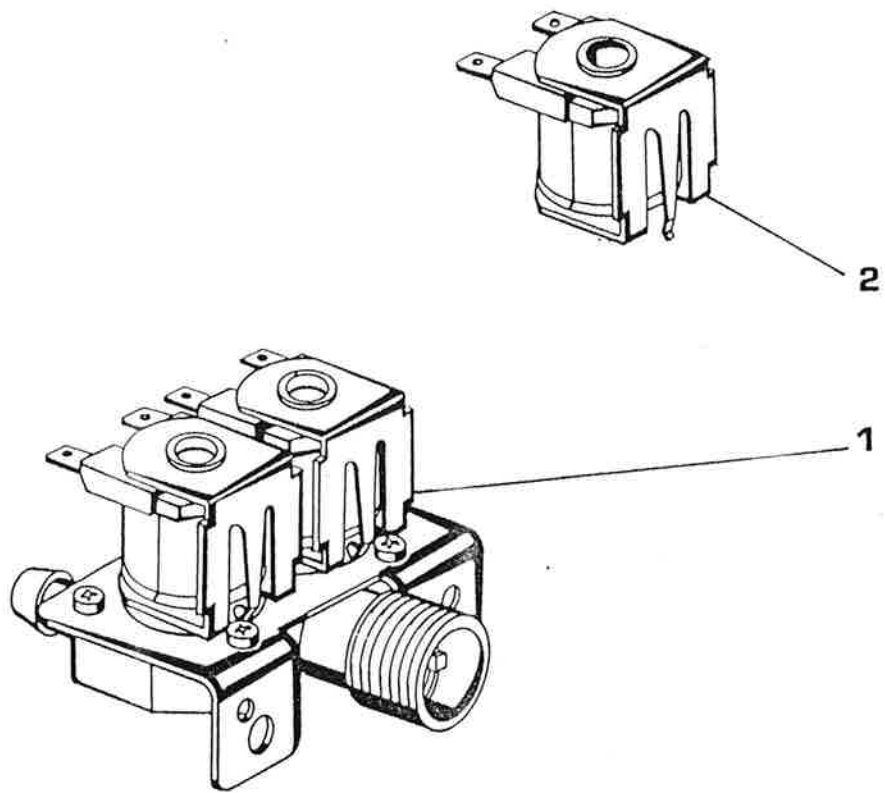
240/50/1  
 Mod. S 623 - 626 - 633 -  
 636 - 653

220/60/1  
 Mod. S 623 - 626 - 633 -  
 636 - 653

220/50/1  
 Mod. S 621 - 624 - 631 -  
 634 - 651 - 654 -  
 655

240/50/1  
 Mod. S 621 - 624 - 631 -  
 634 - 651 - 654 -  
 655

220/50/1  
 Mod. S 621 - 624 - 631 -  
 634 - 651 - 654 -  
 655



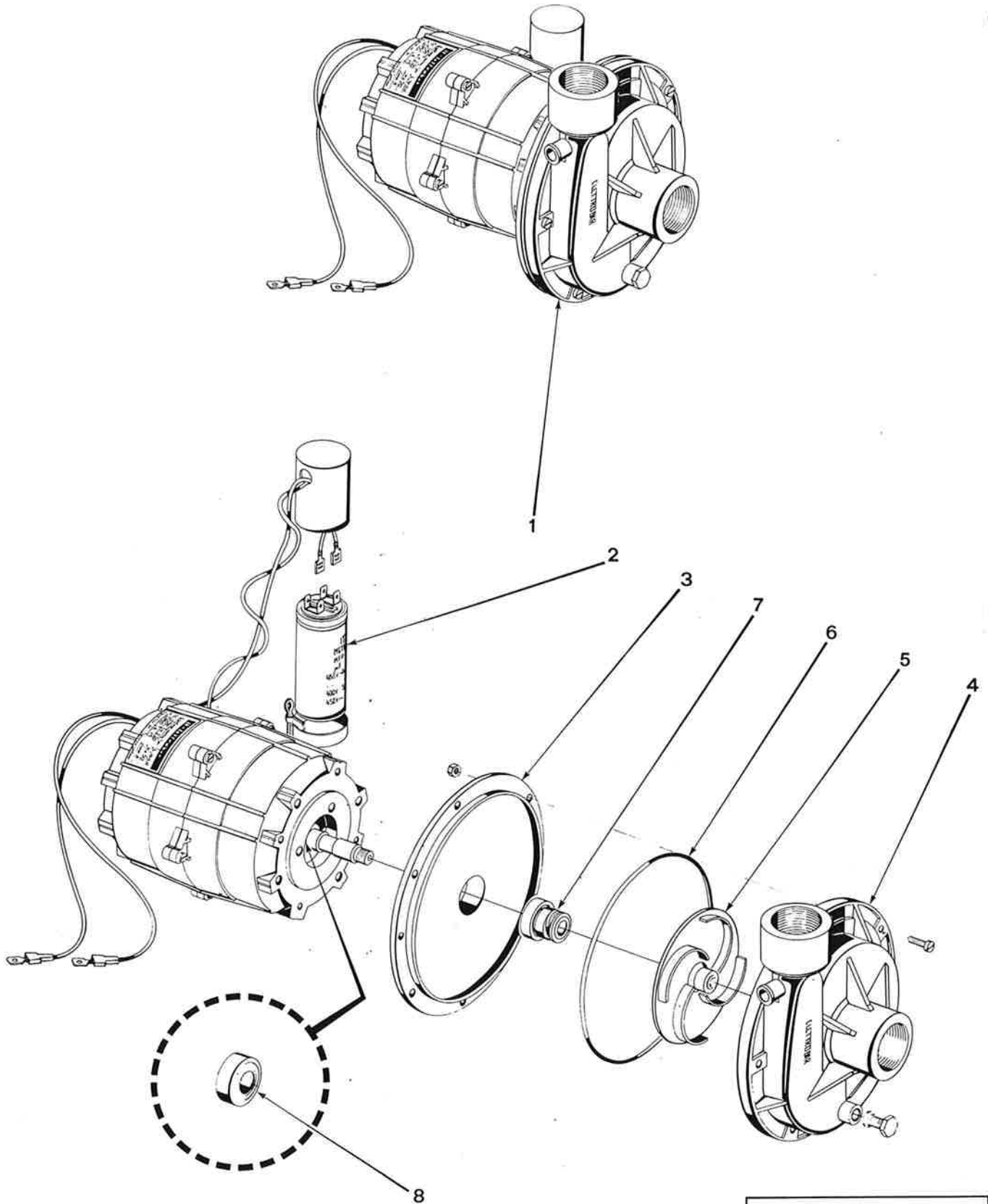
| POS. | CODICE<br>CODE<br>KODE | DESCRIZIONE - DESCRIPTION - BESCHREIBUNG  |
|------|------------------------|---|
| 1    | 24 00 05               | <p>Valvola - Elbi - 1 via 180°<br/>                     Solenoid valve - Elbi - 1 way 180°<br/>                     Vanne - Elbi - 1 bobine 180°<br/>                     Einweg - Einlassmagnetventil - Elbi - 180°</p> <p style="text-align: center;">220-240/50-60/1</p> <p>Mod. S 651/P - 655<br/><br/>                     Mod. S 830 - 835<br/>                     fino matricola n° 80211<br/>                     till serial no. 80211<br/>                     au matricule n° 80211<br/>                     bis Maschinen-Nr. 80211</p>  |
| 1    | 24 00 03               | <p>Valvola - 2 vie 180°<br/>                     Solenoid valve - 2 ways 180°<br/>                     Vanne - 2 bobines 180°<br/>                     Zweiweg - Einlassmagnetventil - 180°</p> <p style="text-align: center;">220-240/50-60/1</p> <p>Mod. S 621 - 624 - 631 -<br/>                     634 - 651 - 654 -<br/>                     810 - 815 - 850 -<br/>                     950</p> <p>Mod. S 830 - 835<br/>                     da matricola n° 80212<br/>                     from serial no. 80212<br/>                     du matricule n° 80212<br/>                     ab Maschinen-Nr. 80212</p> <p>Mod. S 870<br/>                     da matricola n° 64903<br/>                     from serial no. 64903<br/>                     du matricule n° 64903<br/>                     ab Maschinen-Nr. 64903</p> |
| 1    | 24 00 02               | <p>Valvola - 3 vie 180°<br/>                     Solenoid valve - 3 ways 180°<br/>                     Vanne - 3 bobines 180°<br/>                     Dreiweg - Einlassmagnetventil - 180°</p> <p style="text-align: center;">220-240/50-60/1</p> <p>Mod. S 623 - 626 - 633 -<br/>                     636 - 653</p>   |
| 2    | 20 10 06               | <p>Bobina valvola<br/>                     Coil for solenoid valve<br/>                     Bobine pour vanne<br/>                     Spule für Einlassmagnetventil</p>  |

POMPA  
WASH PUMP  
POMPE  
ELEKTROPUMPE

mod. S:  
621 - 623 - 624 - 626  
631 - 633 - 634 - 636

55

10/87



**E3 wolk**



POMPA  
WASH PUMP  
POMPE  
ELEKTROPUMPE

mod. S:

521 - 623 - 624 - 626

631 - 633 - 634 - 636

56

10/87

| POS. | CODICE<br>CODE<br>KODE | DESCRIZIONE - DESCRIPTION - BESCHREIBUNG   |
|------|------------------------|--|
| 1    | 13 00 08               | Pompa - Olimpia T 30 HP 0,4<br>Wash pump - Olimpia T 30 HP 0,4<br>Pompe - Olimpia T 30 HP 0,4<br>Elektropumpe - Olimpia T 30 HP 0,4<br>220/50/1 Mod. S 621 - 623 - 624 -<br>626 - 631 - 633 -<br>634 - 636 |
| 1    | 13 00 07               | Pompa - Olimpia T 30 HP 0,4<br>Wash pump - Olimpia T 30 HP 0,4<br>Pompe - Olimpia T 30 HP 0,4<br>Elektropumpe - Olimpia T 30 HP 0,4<br>240/50/1 Mod. S 621 - 623 - 624 -<br>626 - 631 - 633 -<br>634 - 636 |
| 1    | 13 00 32               | Pompa - Olimpia T 30 HP 0,4<br>Wash pump - Olimpia T 30 HP 0,4<br>Pompe - Olimpia T 30 HP 0,4<br>Elektropumpe - Olimpia T 30 HP 0,4<br>220/60/1 Mod. S 621 - 623 - 624 -<br>626 - 631 - 633 -<br>634 - 636 |
| 1    | 13 00 26               | Pompa - FIR 1297 HP 0,4<br>Wash pump - FIR 1297 HP 0,4<br>Pompe - FIR 1297 HP 0,4<br>Elektropumpe - FIR 1297 HP 0,4<br>220/50/1 Mod. S 621 - 623 - 624 -<br>626 - 631 - 633 -<br>634 - 636                 |
| 1    | 13 00 01               | Pompa - FIR 1297 HP 0,4<br>Wash pump - FIR 1297 HP 0,4<br>Pompe - FIR 1297 HP 0,4<br>Elektropumpe - FIR 1297 HP 0,4<br>240/50/1 Mod. S 621 - 623 - 624 -<br>626 - 631 - 633 -<br>634 - 636                 |
| 2    | 20 60 01               | Condensatore T 30 - FIR 1297<br>Condenser T 30 - FIR 1297<br>Condensateur T 30 - FIR 1297<br>Kondensator T 30 - FIR 1297   |
| 3    | 31 50 06               | Flangia T 30 - FIR 1297<br>Flange int. T 30 - FIR 1297<br>Flansque int. T 30 - FIR 1297<br>Flasch T 30 - FIR 1297  |
| 4    | 11 60 08               | Corpo pompa T 30 - FIR 1297<br>Flange ext. T 30 - FIR 1297<br>Flansque ext. T 30 - FIR 1297<br>Pumpengehäuse T 30 - FIR 1297   |
| 5    | 12 40 06               | Girante 50 Hz. T 30 - FIR 1297<br>Impeller 50 Hz. T 30 - FIR 1297<br>Turbine 50 Hz. T 30 - FIR 1297<br>Pumpenflügel 50 Hz. T 30 - FIR 1297   |

**E3 wolk**

POMPA  
WASH PUMP  
POMPE  
ELEKTROPUMPE

mod. S:

621 - 623 - 624 - 626

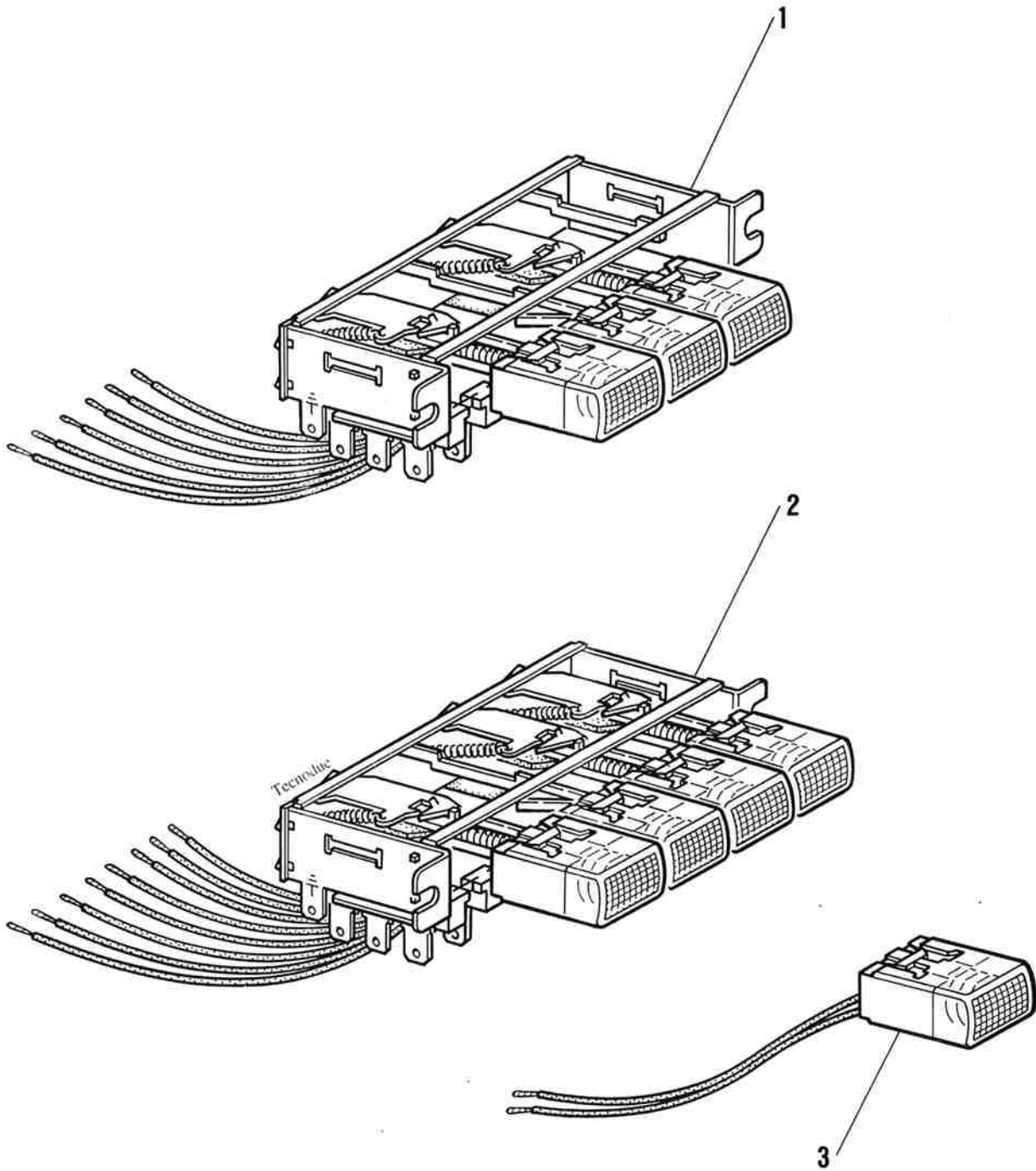
631 - 633 - 634 - 636

57

10/87

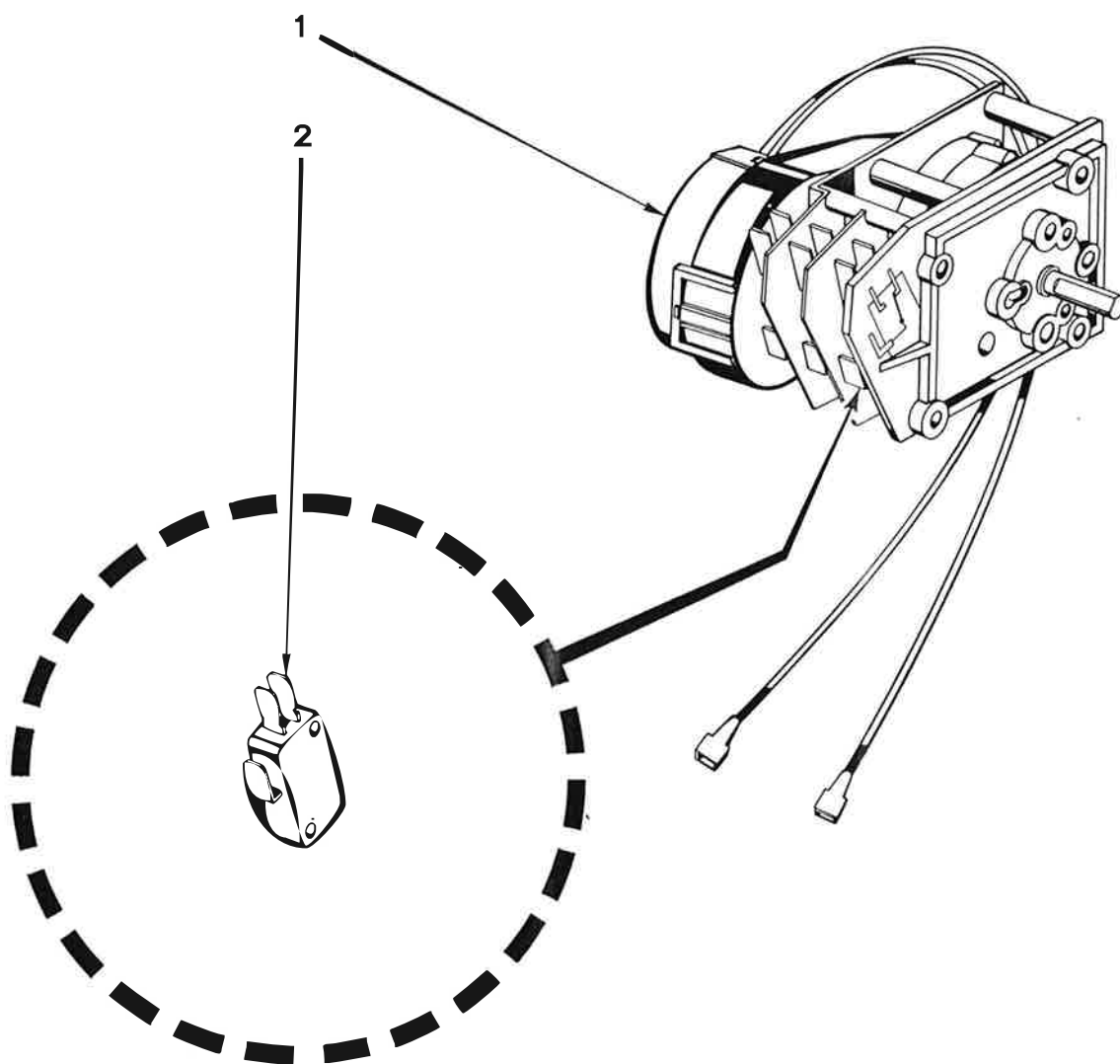
| POS. | CODICE<br>CODE<br>KODE | DESCRIZIONE - DESCRIPTION - BESCHREIBUNG   |
|------|------------------------|--|
| 5    | 12 40 17               | Girante 60 Hz. T 30<br>Impeller 60 Hz. T 30<br>Turbine 60 Hz. T 30<br>Pumpenflügel 60 Hz. T 30                                 |
| 6    | 45 60 31               | OR T 30 - FIR 1297<br>O-ring T 30 - FIR 1297<br>Joint thorique T 30 - FIR 1297<br>O-Ring Dichtung T 30 - FIR 1297              |
| 7    | 14 10 02               | Tenuta meccanica T 30 - FIR 1297<br>Seal T 30 - FIR 1297<br>Presse etoupe T 30 - FIR 1297<br>Gleitringdichtung T 30 - FIR 1297 |
| 8    | 31 40 01               | Cuscinetto FIR 1297<br>Bearing FIR 1297<br>Roulement FIR 1297<br>Kugellager FIR 1297   |
| 8    | 31 40 02               | Cuscinetto T 30<br>Bearing T 30<br>Roulement T 30<br>Kugellager T 30   |

**E3 wolk**



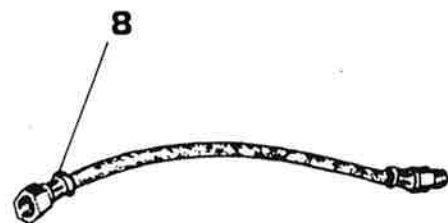
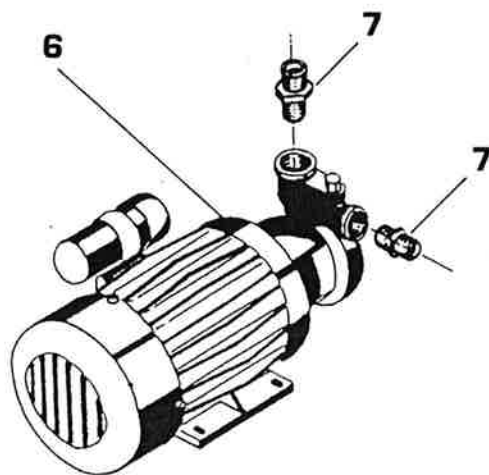
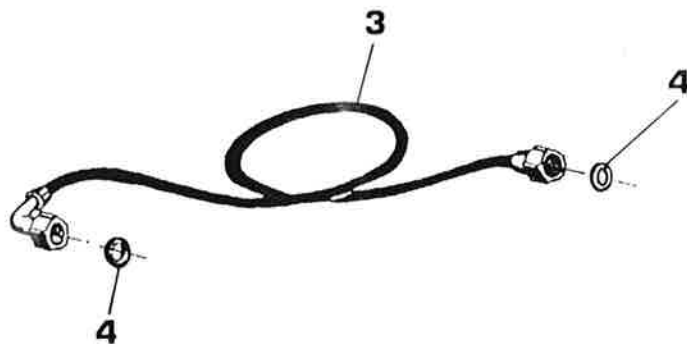
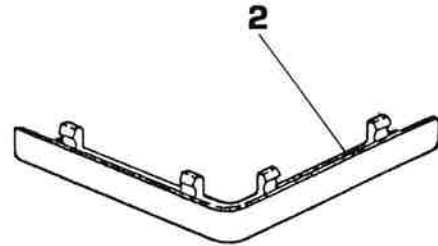
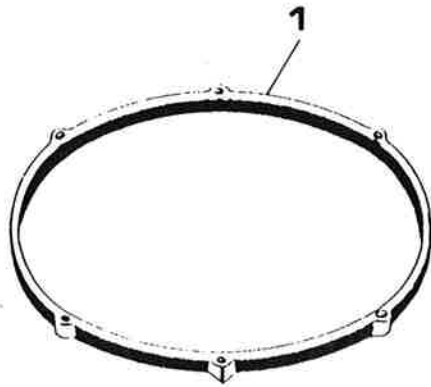
| POS. | CODICE<br>CODE<br>KODE | DESCRIZIONE - DESCRIPTION - BESCHREIBUNG   |
|------|------------------------|--|
| 1    | 22 70 02               | <p>Pulsantiera 3 pulsanti<br/>Keyboard 3 push buttons<br/>Clavier 3 boutons<br/>Bedienungsschalter 3 Schalter</p> <p>Mod. S 621 - 624 - 631 -<br/>634 - 651 - 654 -<br/>810 - 835</p> <p>Mod. S 830<br/>da matricola n° 80212<br/>from serial no. 80212<br/>du matricule n° 80212<br/>ab Maschinen-Nr. 80212</p> <p>Mod. S 950<br/>fino matricola n° 81059<br/>till serial no. 81059<br/>au matricule n° 81059<br/>bis Maschinen-Nr. 81059</p> |
| 2    | 22 70 03               | <p>Pulsantiera 4 pulsanti<br/>Keyboard 4 push buttons<br/>Clavier 4 boutons<br/>Bedienungsschalter 4 Schalter</p> <p>Mod. S 623 - 626 - 633 -<br/>636 - 651/P -<br/>653 - 655</p> <p>Mod. S 830<br/>fino matricola n° 80211<br/>till serial no. 80211<br/>au matricule n° 80211<br/>bis Maschinen-Nr. 80211</p> <p>Mod. S 850<br/>fino matricola n° 81936<br/>till serial no. 81936<br/>au matricule n° 81936<br/>bis Maschinen-Nr. 81936</p>  |
| 2    | 22 70 03               | <p>Pulsantiera 4 pulsanti - Pompa scarico<br/>Keyboard 4 push buttons - Drain pump<br/>Clavier 4 boutons - Pompe vidange<br/>Bedienungsschalter 4 Schalter - Laugenpumpe</p> <p>Mod. S 621 - 624 - 631 -<br/>634 - 651 - 654 -<br/>810 - 835</p>   |
| 2    | 22 70 01               | <p>Pulsantiera 4 pulsanti<br/>Keyboard 4 push buttons<br/>Clavier 4 boutons<br/>Bedienungsschalter 4 Schalter</p> <p>Mod. S 850<br/>da matricola n° 81937<br/>till serial no. 81937<br/>du matricule n° 81937<br/>ab Maschinen-Nr. 81937</p> <p>Mod. S 950<br/>da matricola n° 81060<br/>from serial no. 81060<br/>du matricule n° 81060<br/>ab Maschinen-Nr. 81060</p>  |
| 2    | 22 70 01               | <p>Mod. S 870<br/>da matricola n° 64903<br/>from serial no. 64903<br/>du matricule n° 64903<br/>ab Maschinen-Nr. 64903</p>   |

| POS. | CODICE<br>CODE<br>KODE | DESCRIZIONE - DESCRIPTION - BESCHREIBUNG   |
|------|------------------------|--|
| 3    | 22 60 05               | <p>Pulsante arancione<br/>Orange push button<br/>Bouton orange<br/>Orange Schalter</p> |
| 3    | 22 60 06               | <p>Pulsante bianco<br/>White push button<br/>Bouton blanc<br/>Weisse Schalter</p>      |
| 3    | 22 60 07               | <p>Pulsante verde<br/>Green push button<br/>Bouton vert<br/>Grüne Schalter</p>         |
| 3    | 22 60 08               | <p>Pulsante giallo<br/>Yellow push button<br/>Bouton jaune<br/>Gelbe Schalter</p>      |



| POS. | CODICE<br>CODE<br>KODE | DESCRIZIONE - DESCRIPTION - BESCHREIBUNG   |
|------|------------------------|--|
| 1    | 23 80 25               | Timer ciclo 180" - Cronel 2C<br>Cycle timer 180" - Cronel 2C<br>Programmateur cycle 180" - Cronel 2C<br>Programmschalter 180" - Cronel 2C<br>220/50/1<br>Mod. R 495 - 497  |
| 1    | 23 80 01               | Timer ciclo 180" - Crouzet 3C<br>Cycle timer 180" - Crouzet 3C<br>Programmateur cycle 180" - Crouzet 3C<br>Programmschalter 180" - Crouzet 3C<br>220/50/1<br>Mod. R 499 - 501 - 503 -<br>505 - 507 - 509 -<br>511 - 704 - 706 -<br>708 - S 641 - 643<br><br>Mod. S 870<br>fino matricola n° 64902<br>till serial no. 64902<br>au matricule n° 64902<br>bis Maschinen-Nr. 64902 |
| 1    | 23 80 24               | Timer ciclo 180" - Cronel 3C<br>Cycle timer 180" - Cronel 3C<br>Programmateur cycle 180" - Cronel 3C<br>Programmschalter 180" - Cronel 3C<br>220/50/1<br>Mod. R 499 - 501 - 503 -<br>505 - 507 - 509 -<br>511 - 704 - 706 -<br>708 - S 641 - 643<br><br>Mod. S 870<br>fino matricola n° 64902<br>till serial no. 64902<br>au matricule n° 64902<br>bis Maschinen-Nr. 64902     |
| 1    | 23 80 05               | Timer ciclo 180" - Cronel 3C<br>Cycle timer 180" - Cronel 3C<br>Programmateur cycle 180" - Cronel 3C<br>Programmschalter 180" - Cronel 3C<br>220-240/50/1<br>Mod. R 499 - 501 - 503 -<br>505 - 507 - 509 -<br>511 - 704 - 706 -<br>708 - S 641 - 643<br><br>Mod. S 870<br>fino matricola n° 64902<br>till serial no. 64902<br>au matricule n° 64902<br>bis Maschinen-Nr. 64902 |
| 1    | 23 80 16               | Timer ciclo 180" - Cronel 3C<br>Cycle timer 180" - Cronel 3C<br>Programmateur cycle 180" - Cronel 3C<br>Programmschalter 180" - Cronel 3C<br>220/60/1<br>Mod. R 499 - 501 - 503 -<br>505 - 507 - 509 -<br>511 - 704 - 706 -<br>708 - S 641 - 643<br><br>Mod. S 870<br>fino matricola n° 64902<br>till serial no. 64902<br>au matricule n° 64902<br>bis Maschinen-Nr. 64902     |

| POS. | CODICE<br>CODE<br>KODE | DESCRIZIONE - DESCRIPTION - BESCHREIBUNG  |
|------|------------------------|---|
| 1    | 23 80 09               | Timer pompa scarico 180" - Cronel 4C<br>Drain pump timer 180" - Cronel 4<br>Programmateur pompe vidange 180" - Cronel 4C<br>Laugenpumpe-Programmschalter 180" - Cronel 4C<br>220/50/1<br>Mod. R 501 - 505 - 509 -<br>704 - 706 - 708 -<br>S 641<br><br>Mod. S 870<br>fino matricola n° 64902<br>till serial no. 64902<br>au matricule n° 64902<br>bis Maschinen-Nr. 64902 |
| 2    | 21 80 09               | Micro timer Cronel<br>Microtimer Cronel<br>Minirupteur programmeur Cronel<br>Mikroschalter Cronel   |



**E3 wolk**

ACCESSORI LAVASTOVIGLIE  
 DISHWASHERS' ACCESSORIES  
 ACCESSOIRES LAVE VAISSELLE  
 GESCHIRRSPÜLMASCHINEN-ZUBEHÖR

113

10/87

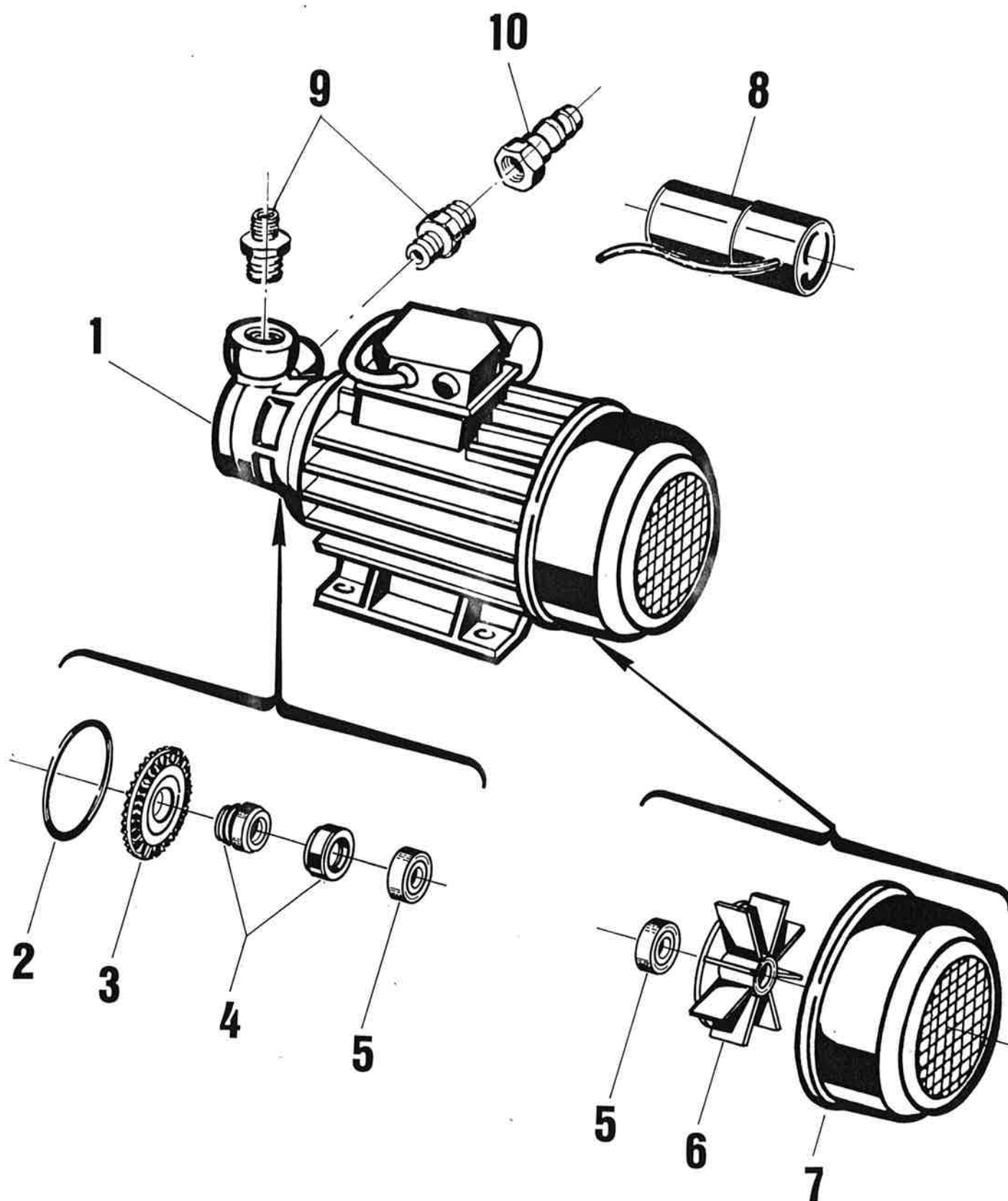
**E3 wolk**

ACCESSORI LAVASTOVIGLIE  
 DISHWASHERS' ACCESSORIES  
 ACCESSOIRES LAVE VAISSELLE  
 GESCHIRRSPÜLMASCHINEN-ZUBEHÖR

114

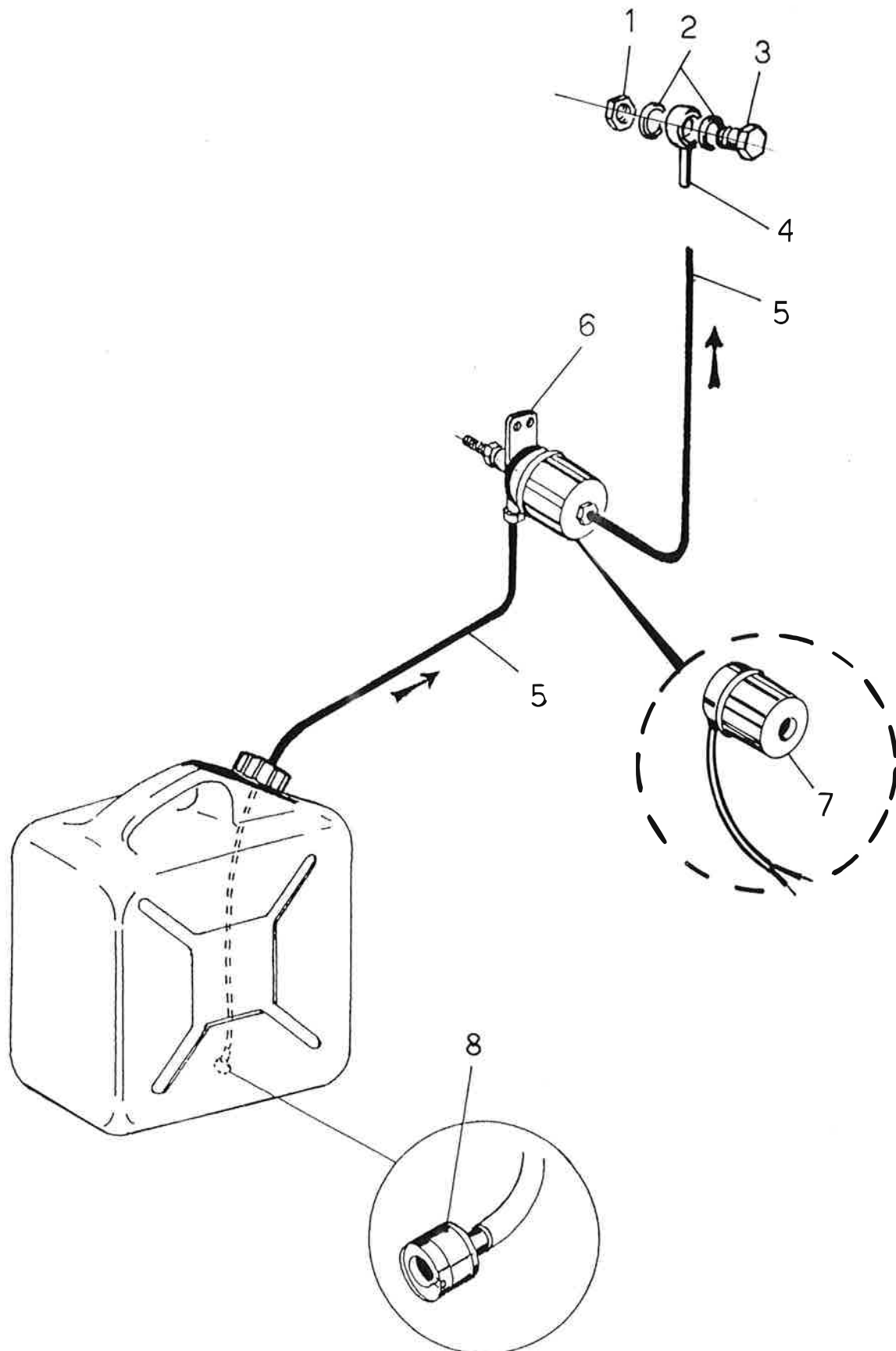
10/87

| POS. | CODICE<br>CODE<br>KODE | DESCRIZIONE - DESCRIPTION - BESCHREIBUNG  | POS. | CODICE<br>CODE<br>KODE | DESCRIZIONE - DESCRIPTION - BESCHREIBUNG   |
|------|------------------------|---|------|------------------------|--|
| 1    | 70 20 02               | Anello cesto ø 33<br>Rack ring ø 33<br>Volant panier ø 33<br>Körbring ø 33<br>Mod. R 495  | 5    | 14 30 19 *             | Tubo scarico ø 25<br>Drain pipe ø 25<br>Tuyau vidange ø 25<br>Ablaufschlauch ø 25<br>Mod. S 621 - 623 - 624 -<br>626 - 631 - 633 -<br>634 - 636 - 641 -<br>643<br>Mod. R 495 - 497 - 499 -<br>501 - 503 - 505 -<br>507 - 509 - 511 |
| 1    | 70 20 01               | Anello cesto ø 38<br>Rack ring ø 38<br>Volant panier ø 38<br>Körbring ø 38<br>Mod. S 624 - 626 - 634 -<br>636 - R 651 -<br>654 - 655 - 815 -<br>835<br>Mod. R 497 - 499 - 501 -<br>503 - 505 - 507 -<br>509 - 511 - 704 -<br>706 - 708  | 5    | 14 30 20 *             | Tubo scarico ø 38<br>Drain pipe ø 38<br>Tuyau vidange ø 38<br>Ablaufschlauch ø 38<br>Mod. S 651 - R 651 -<br>651/P - 653 -<br>654 - 655 - 810 -<br>815 - 830 - 835 -<br>850 - 870 - 950<br>Mod. R 704 - 706 - 708                  |
| 2    | 46 10 03               | Piedino cesto grigio<br>Grey rack feet<br>Pied panier gris<br>Grauer Korbfuss<br>Mod. S 621 - 623 - 631 -<br>633 - 641 - 643 -<br>651 - 651/P -<br>653 - 810 - 830 -<br>850 - 870   | 6    | pag. 115               | Pompa ausiliaria<br>Rinse booster pump<br>Pompe de rinçage<br>Nachspülpumpe  |
| 3    | 14 30 16 *             | Tubo carico con curva 3/4 gas<br>Inlet pipe with bend 3/4 gas<br>Tuyau alimentation avec courbe 3/4 gaz<br>Zulaufschlauch mit Kurve 3/4 Gas<br>Mod. S 621 - 623 - 624 -<br>626 - 631 - 633 -<br>634 - 636 - 641 -<br>643 - 651 -<br>R 651 - 651/P -<br>653 - 654 - 655 -<br>810 - 815 - 830 -<br>835<br>Mod. R 495 - 497 - 499 -<br>501 - 503 - 505 -<br>507 - 509 - 511 -<br>704 - 706 - 708 - | 7    | 46 80 26               | Raccordo pompa ausiliaria<br>Rinse booster pump connection<br>Raccord pompe rinçage<br>Nachspülpumpe-Anschluss   |
| 3    | 14 30 18 *             | Tubo carico 19 x 26<br>Inlet pipe 19 x 26<br>Tuyau alimentation 19 x 26<br>Zulaufschlauch 19 x 26<br>Mod. S 850 - 870 - 950   | 8    | 14 30 21               | Tubo flessibile pompa ausiliaria<br>Rinse booster pump's flexible pipe<br>Tuyau flexible pompe rinçage<br>Nachspülpumpe-Schlauch   |
| 4    | 43 70 41               | Guarnizione carico 3/4 gas<br>Inlet gasket 3/4 gas<br>Joint alimentation 3/4 gaz<br>Zulaufdichtung 3/4 Gas  |      |                        |  |
| 5    | 14 30 17               | Tubo scarico Mt. 1,5 ø 22<br>Drain pipe mt. 1,5 ø 22<br>Tuyau vidange mt. 1,5 ø 22<br>Ablaufschlauch Mt. 1,5 ø 22<br>Modelli con pompa scarico<br>Models with drain pump<br>Modèles avec tuyau vidange<br>Modelle mit Laugenpumpe   |      |                        |  |





| POS. | CODICE<br>CODE<br>KODE | DESCRIZIONE - DESCRIPTION - BESCHREIBUNG  |   |
|------|------------------------|---|---|
| 1    | 13 00 13               | Pompa ausiliaria Dab K 30 HP 0,4<br>Rinse booster pump Dab K 30 HP 0,4<br>Pompe rincage Dab K 30 HP 0,4<br>Nachspülpumpe Dab K 30 HP 0,4          | 220/50/1<br>Per tutti i modelli<br>For all the models<br>Tous modeles<br>Für alle Modelle |
| 1    | 13 00 52               | Pompa ausiliaria Dab K 30 HP 0,4<br>Rinse booster pump Dab K 30 HP 0,4<br>Pompe rincage Dab K 30 HP 0,4<br>Nachspülpumpe Dab K 30 HP 0,4          | 240/50/1<br>Per tutti i modelli<br>For all the models<br>Tous modeles<br>Für alle Modelle |
| 2    | 45 60 37               | OR K 30<br>O-ring K 30<br>Joint thorique K 30<br>O-Ring Dichtung K 30   |   |
| 3    | 12 40 15               | Girante K 30<br>Impellor K 30<br>Turbine K 30<br>Pumpenflügel K 30  |   |
| 4    | 14 10 02               | Tenuta meccanica K 30<br>Seal K 30<br>Presse etoupe K 30<br>Gleitringdichtung K 30  |   |
| 5    | 31 40 01               | Cuscinetto K 30<br>Bearing K 30<br>Roulement K 30<br>Kugellager K 30  |   |
| 6    | 33 50 07               | Ventola K 30<br>Fan K 30<br>Turbine de refroidissement K 30<br>Flügel K 30  |   |
| 7    | 31 30 08               | Copriventola K 30<br>Fan protection K 30<br>Protection turbine K 30<br>Flügelschutz K 30  |   |
| 8    | 20 60 01               | Condensatore K 30<br>Condenser K 30<br>Condensateur K 30<br>Kondensator K 30  |   |
| 9    | 46 80 26               | Raccordo K 30<br>Connection K 30<br>Raccord K 30<br>Anschluss K 30  |   |
| 10   | 45 30 02               | Raccordo pompa ausiliaria Dab K 30<br>Rinse booster pump connection Dab K 30<br>Raccord pompe rincage Dab K 30<br>Nachspülpumpeanschluss Dab K 30 | Mod. S 850 - 870 - 950  |





DOSATORE SAPONE  
LIQUID DETERGENT DISPENSER  
DOSEUR DU PRODUIT DE LAVAGE  
SPUELMITTEL-DOSIERGERAET

121

10/87

| POS. | CODICE<br>CODE<br>KODE | POS. | CODICE<br>CODE<br>KODE | POS. | CODICE<br>CODE<br>KODE | POS. | CODICE<br>CODE<br>KODE |
|------|------------------------|------|------------------------|------|------------------------|------|------------------------|
| 1    | 41 70 16               |      |                        |      |                        |      |                        |
| 2    | 43 70 07               |      |                        |      |                        |      |                        |
| 3    | 46 80 24               |      |                        |      |                        |      |                        |
| 4    | 46 80 23               |      |                        |      |                        |      |                        |
| 5    | 14 30 14               |      |                        |      |                        |      |                        |
| 6    | 98 70 12               |      |                        |      |                        |      |                        |
| 7    | 20 10 18               |      |                        |      |                        |      |                        |
| 8    | 98 60 02               |      |                        |      |                        |      |                        |

**MODIFICA SPRUZZO LAVAGGIO SUPERIORE**  
**UPPER WASH JET MODIFICATION**  
**MODIFICATION BOUCHON LAVAGE SUPERIEUR**  
**ABAENDERUNG DER OBEREN SPEULDUESE**

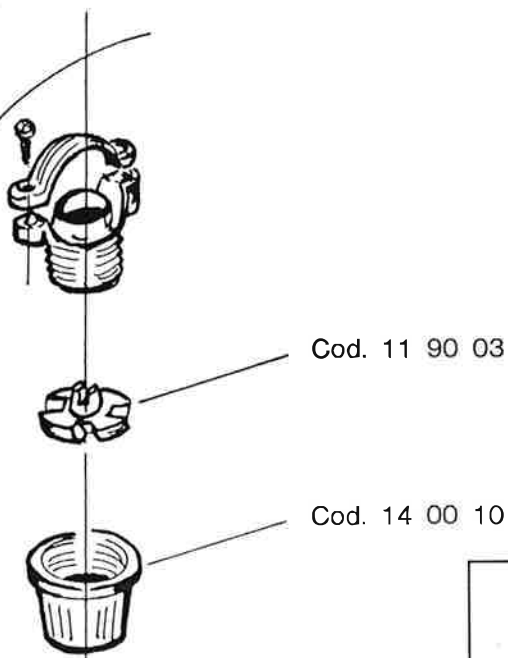
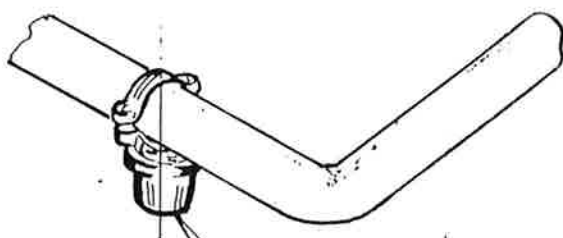
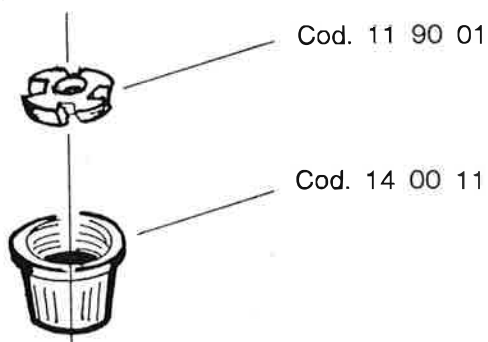
mod. **S:**

**621 - 623 - 624 - 626**

**631 - 633 - 634 - 636**

160

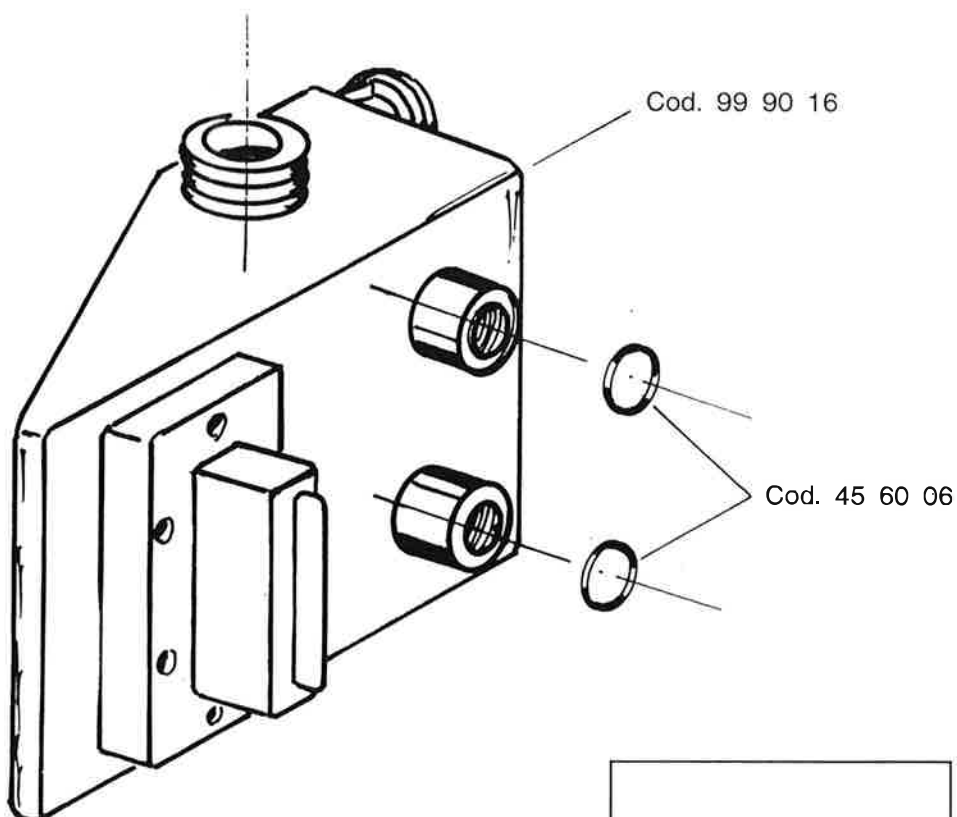
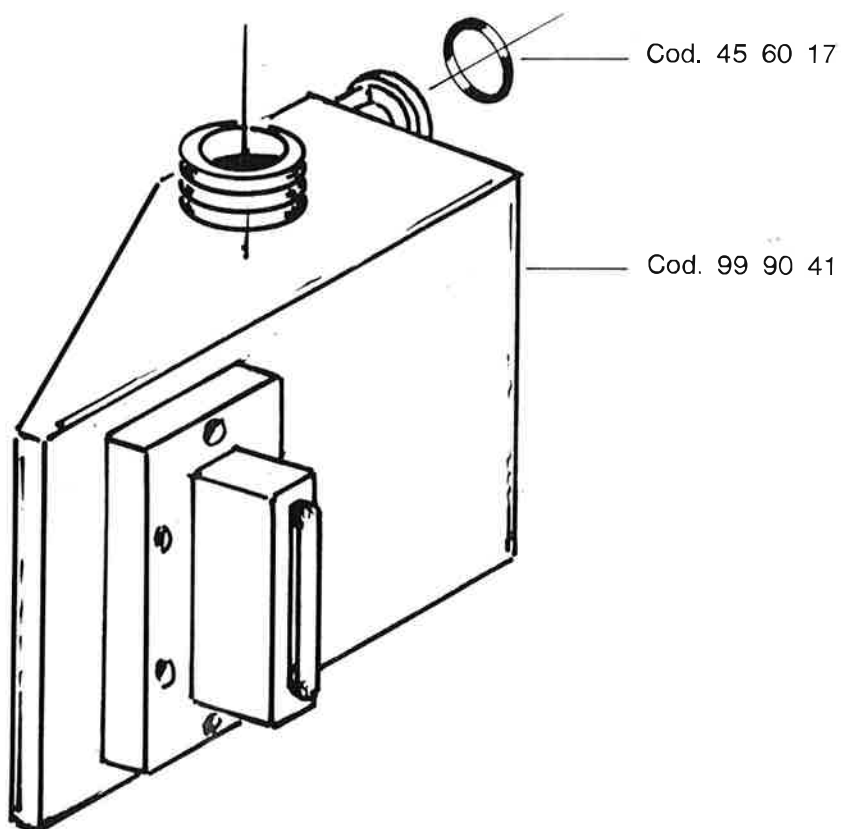
10/87



**NUOVO**  
**NEW**  
**NOUVEAU**  
**NEU**

DA MATRICOLA N° 64994  
DE MATRICULE NR. 64994  
FROM SERIAL NO. 64994  
AB MASCHINEN NR. 64994

**Wolk**



NUOVO  
NEW  
NOUVEAU  
NEU

DA MATRICOLA N° 68473  
DE MATRICULE NR. 68473  
FROM SERIAL NO. 68473  
AB MASCHINEN NR. 68473

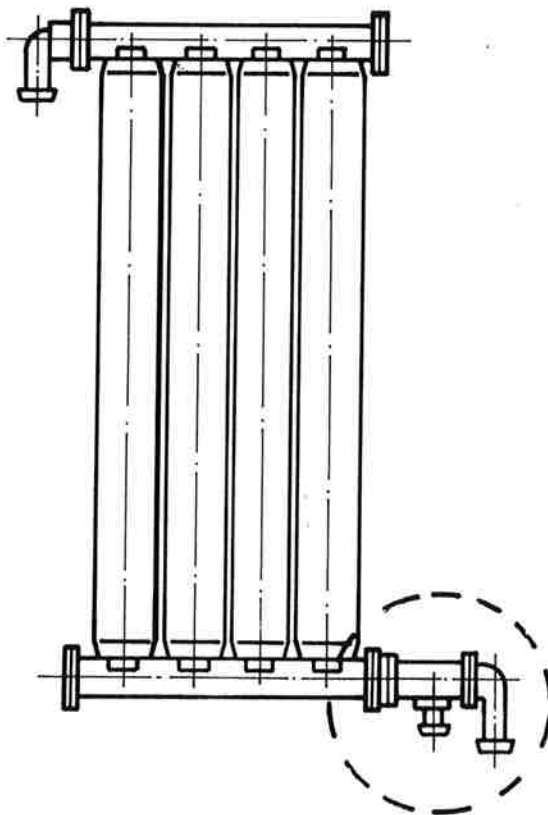
**E3 wolk**

MODIFICA ADDOLCITORE  
SOFTENER MODIFICATION  
MODIFICATION ADOUCISSEUR  
ENTHÄRTERABÄNDERUNG

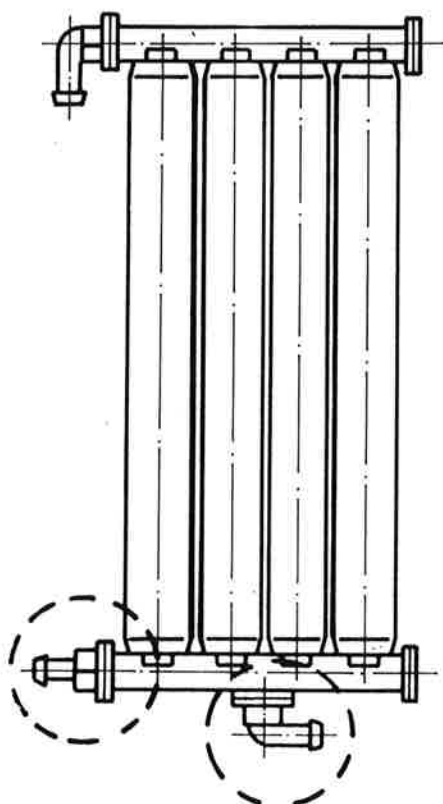
mod. S: 623 - 633 - 626 - 636

162

10/87



Cod. 11 70 01



Cod. 11 70 04

**NUOVO  
NEW  
NOUVEAU  
NEU**

DA MATRICOLA N° 92582  
DE MATRICULE NR. 92582  
FROM SERIAL NO. 92582  
AB MASCHINEN NR. 92582

**B wolk**

**MODIFICA BRACCIO RISCIAQUO SUPERIORE  
UPPER RINSE ARM MODIFICATION  
MODIFICATION BRAS RINÇAGE SUPERIEUR  
OBERER NACHSPÜLARMABÄNDERUNG**

mod. S:

621 - 623 - 624 - 626

631 - 633 - 634 - 636

163

10/87

Cod. 62 10 77 - 63 10 77

Cod. 62 10 77 - 63 10 77

Cod. 62 10 74 - 63 10 74

Cod. 10 60 36

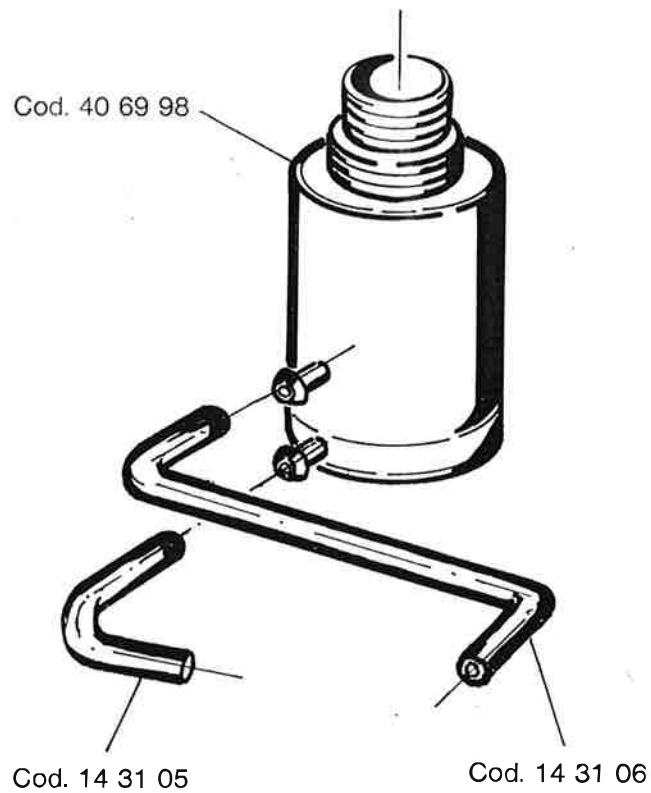
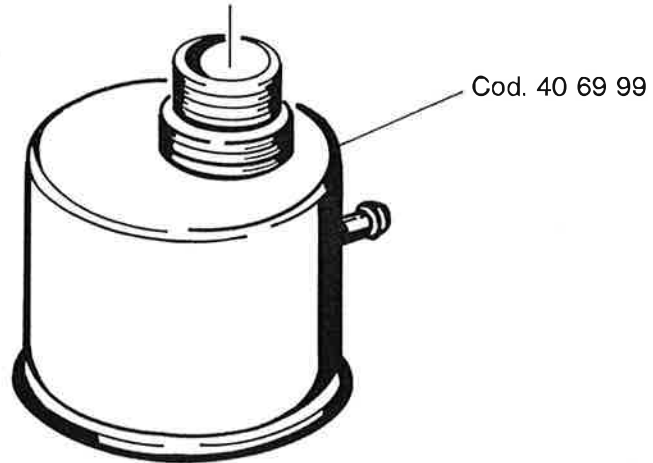
Cod. 10 60 35

Cod. 99 30 31

**NUOVO  
NEW  
NOUVEAU  
NEU**

DA MATRICOLA N° 93700  
DE MATRICULE NR. 93700  
FROM SERIAL NO. 93700  
AB MASCHINEN-NR. 93700

**E3 wolk**



**NUOVO  
NEW  
NEU  
NOUVEAU**

DA MATRICOLA N° 92582  
FROM SERIAL NO. 92582  
AB MASCHINEN NR. 92582  
DU MATRICULE NO. 92582

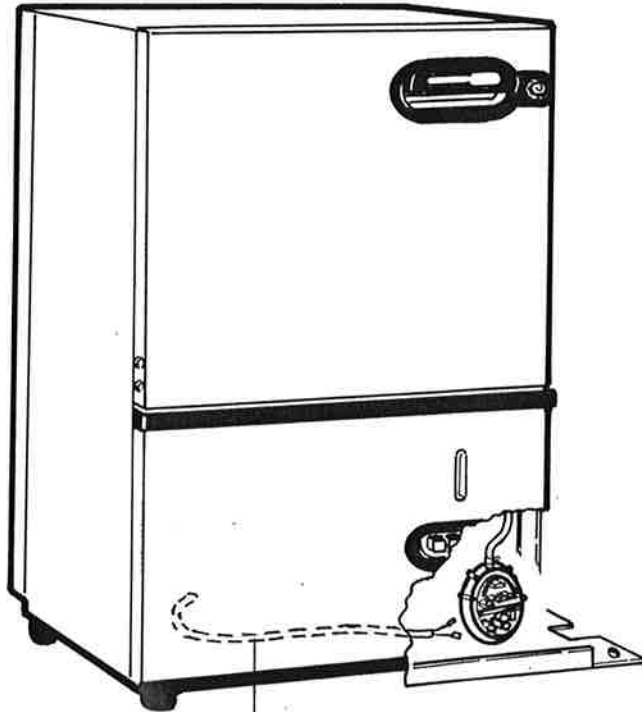


MODIFICA POSIZIONE PRESSOSTATO  
MODIFICATION OF PRESSURE SWITCH'S POS.  
ÄNDERUNG DER NIVEAUREGLERPOS.  
MODIFICATION POSITION PRESSOSTAT

mod. S:  
621 - 633 - 624 - 626  
631 - 633 - 634 - 636

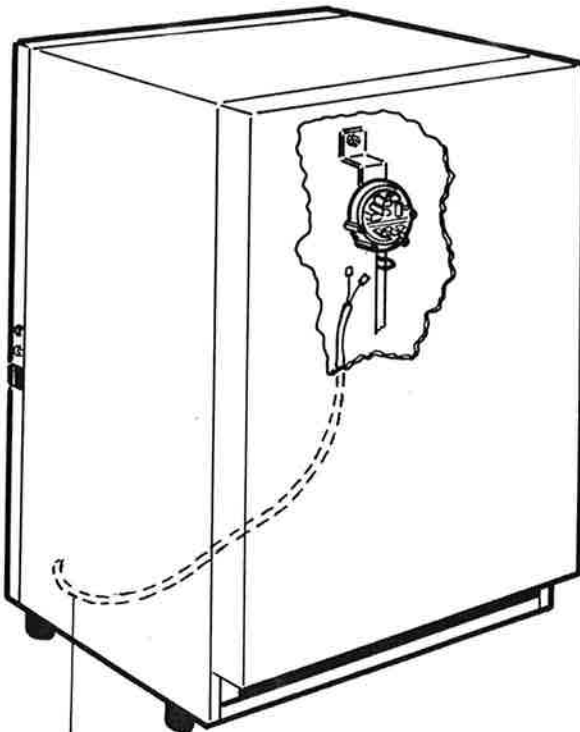
167

4/88



— 20 30 17 Mod. S: 621 - 624 - 631 - 634

— 20 30 15 Mod. S: 623 - 626 - 633 - 636



— 20 30 94 Mod. S: 621 - 624 - 631 - 634

— 20 30 93 Mod. S: 623 - 626 - 633 - 636

**NUOVO  
NEW  
NEU  
NOUVEAU**

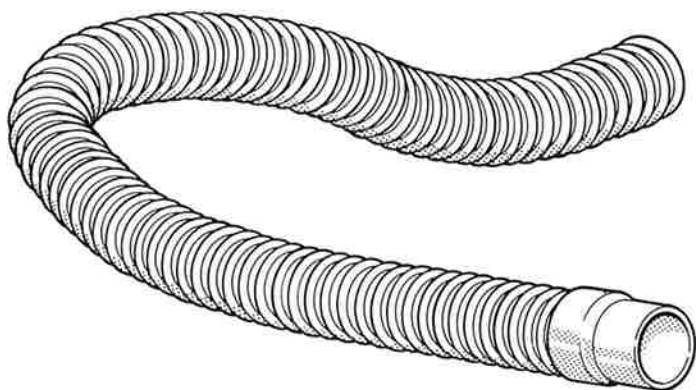
DA MATRICOLA N° 93695  
FROM SERIAL NO. 93695  
AB MASCHINEN NR. 93695  
DU MATRICULE NO. 93695

**B wolk**



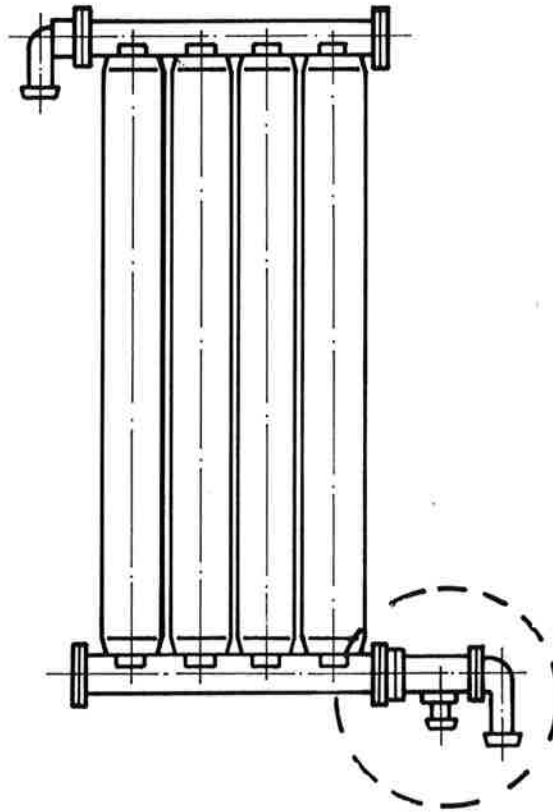
Cod. 14 30 16 3/4 Gas mt 1,5  
Mod. R 497 - 499 - 501  
503 - 505 - 507  
S 621 - 623 - 624 - 626  
631 - 633 - 634 - 636

Cod. 14 31 12 3/4 Gas mt 1,5  
Mod. S 651 - 654 - 810 - 815  
830 - 835 - 850 - 870 - 950



Cod. 14 31 20 Ø 25 mt 1,5  
Mod. R 497 - 499 - 501  
503 - 505 - 507  
S 621 - 623 - 624 - 626  
631 - 633 - 634 - 636

Cod. 14 31 21 Ø 38 mt 1,5  
Mod. S 651 - 654 - 810 - 815  
830 - 835 - 850 - 870 - 950



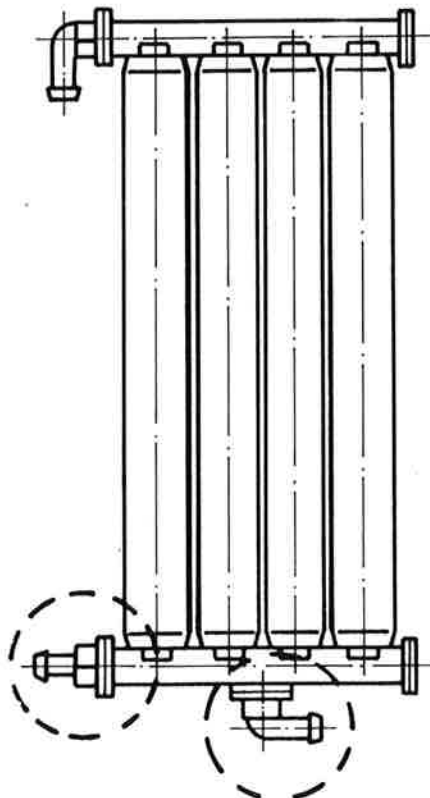
Cod. 11 70 01

**SERIE S:**

DA MATRICOLA N° 92582  
FROM SERIAL NO. 92582  
AB MASCHINEN NR. 92582  
DE MATRICULE NO. 92582

**SERIE R:**

DA MATRICOLA N° 102466  
FROM SERIAL NO. 102466  
AB MASCHINEN NR. 102466  
DE MATRICULE NO. 102466



Cod. 11 70 04

**NUOVO  
NEW  
NEU  
NOUVEAU**

**Wolk**

**KIT POMPA SCARICO - POMPA AUSILIARIA**  
**DRAIN PUMP AND BOOSTER PUMP KIT**  
**KIT LAUGENPUMPE UND DRUCKSTEIGERUNGSPUMPE**  
**«KIT» POMPE DE VIDANGE - POMPE DE RINÇAGE**

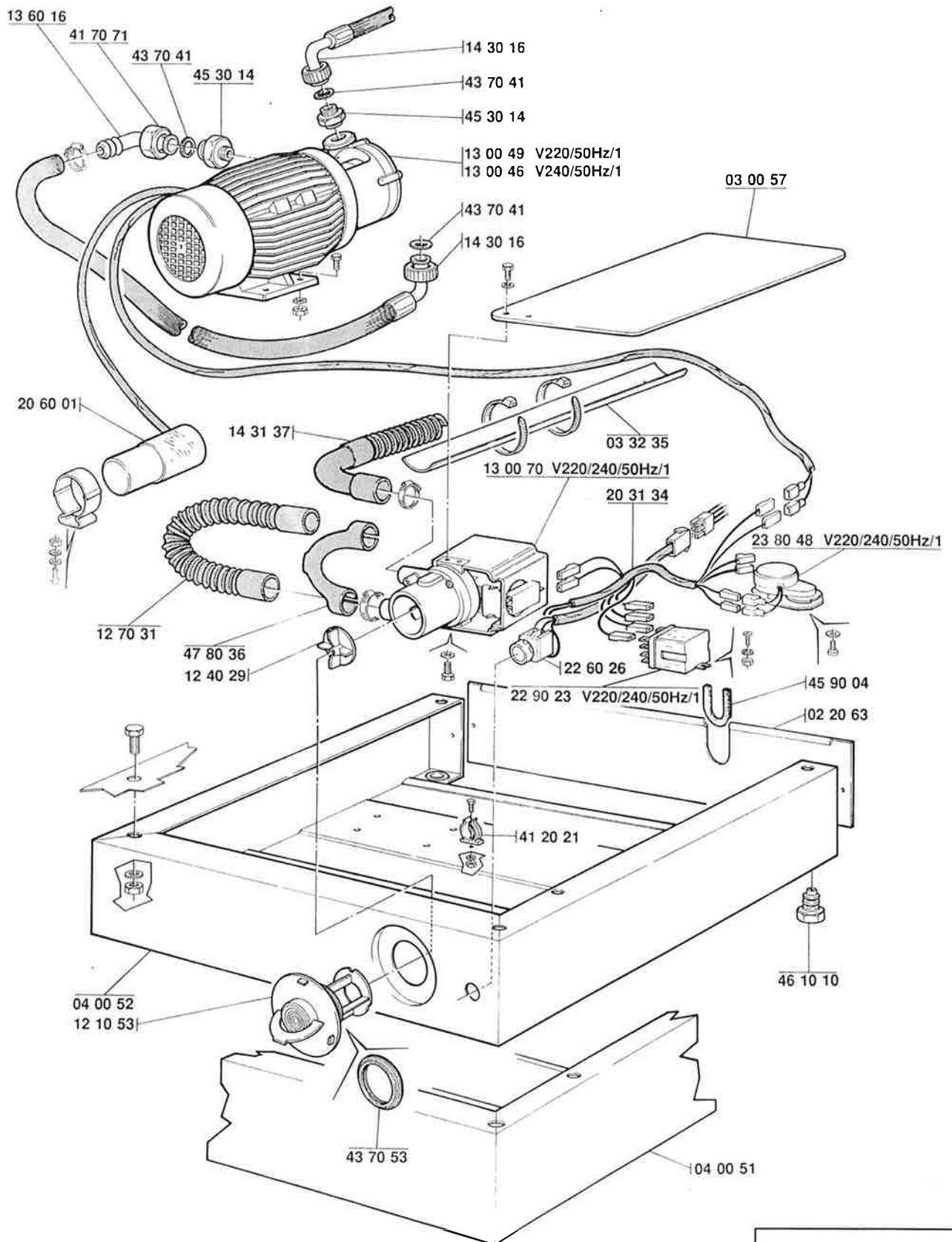
mod. **S:**

**621 - 623 - 624 - 626**

**631 - 633 - 634 - 636**

177

10 / 90



**E wolk**